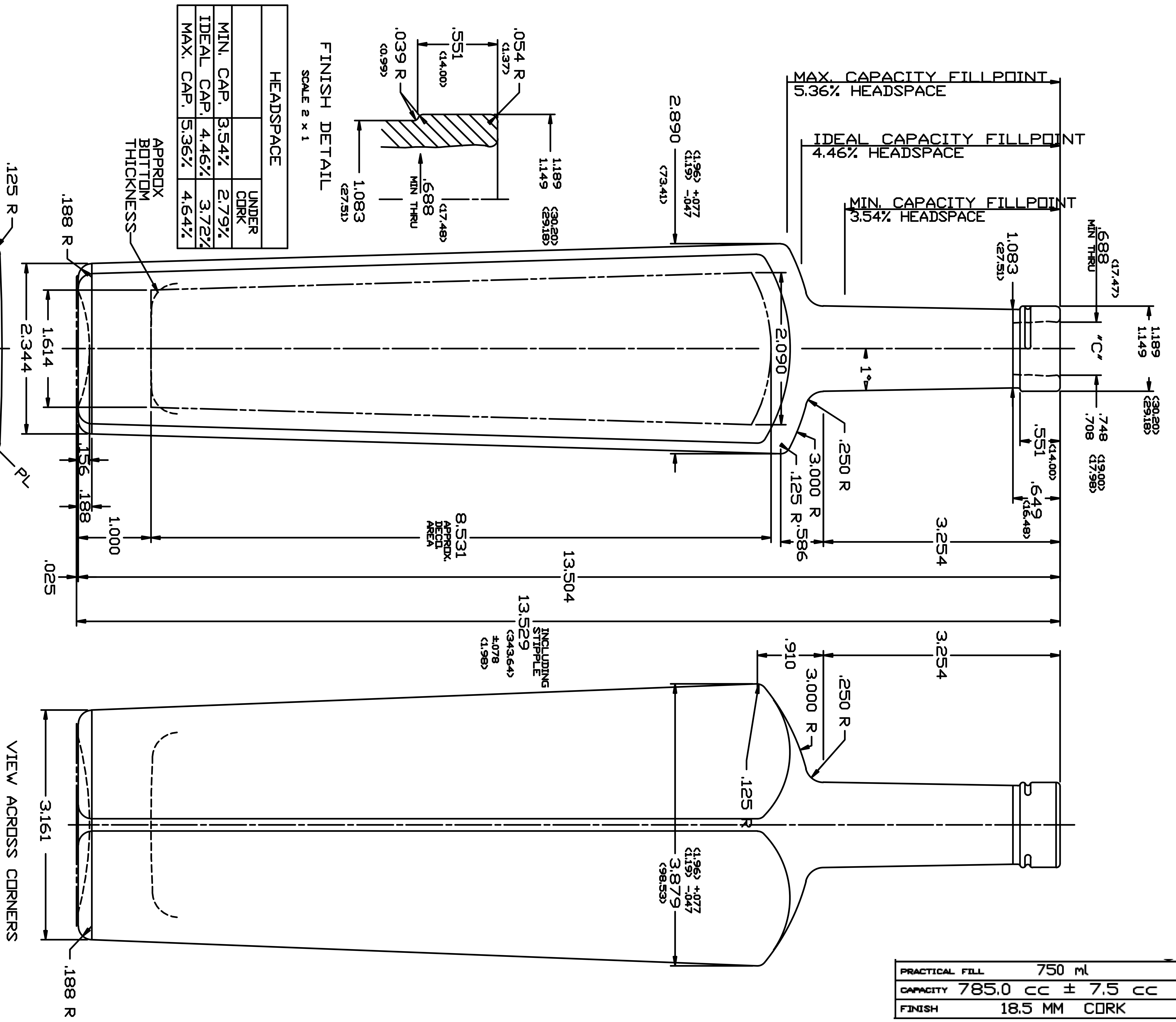
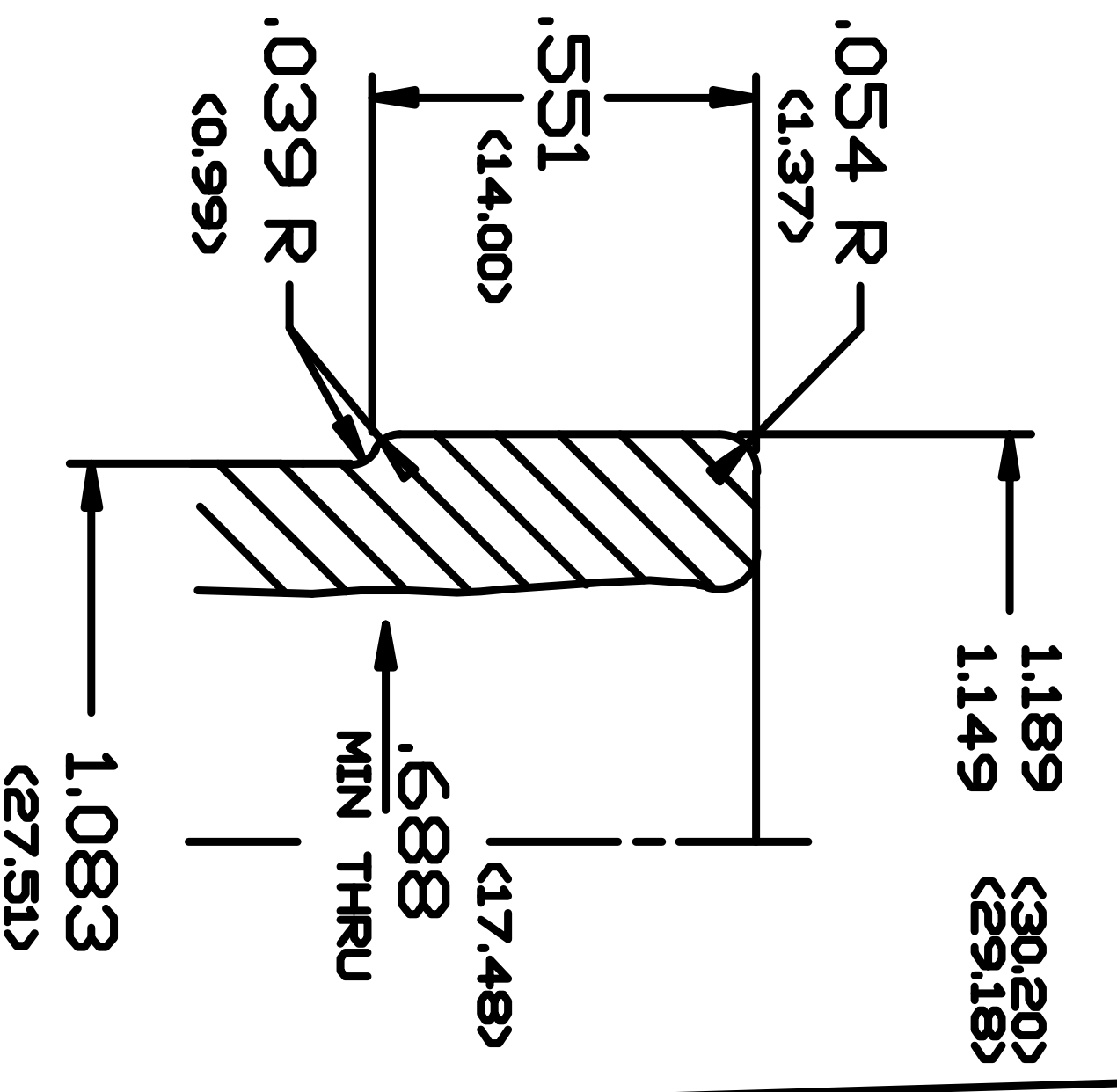


PRACTICAL FILL	750 ml
CAPACITY	785.0 cc ± 7.5 cc
FINISH	18.5 MM CORK



HEADSPACE	
MIN. CAP.	3.54%
IDEAL CAP.	4.46%
MAX. CAP.	5.36%

FINISH DETAIL  
SCALE 2 x 1



VIEW ACROSS CORNERS

'DOT' TYPE STIPPLE BEARING SURFACE AS SHOWN

**DISCLAIMER**

This specification does not relieve the customer of their ultimate responsibility for the determination of the appropriate container. It is the customer's responsibility to select the appropriate packaging based upon all information at their disposal including the specific application, regulatory compliance, product compatibility and shipping requirements. WE HEREBY DISCLAIM AND EXCLUDE ANY EXPRESS OR IMPLIED WARRANTIES, INCLUDING WITHOUT LIMITATION THE IMPLIED WARRANTIES OF MERCHANTABILITY AND FITNESS FOR A PARTICULAR PURPOSE.

DISTRIBUTED BY:



REF NO.:

DWG32034

DESCRIPTION:

750 mL Glass New Yorker Spirit. 21.5 mm