

KOHLER® Faucets

Wall-mount bath spout with diverter, slip-fit connection

Bancroft®

K-10589

Features

- 5-3/4" diverter bath spout with slip-fit connection
- Coordinates with Bancroft faucets, accessories, and showering components to complete your bathroom

Material

- Premium metal construction for durability and reliability
- KOHLER finishes resist corrosion and tarnishing

Installation

- Bath- or deck-mount
- Wall-mount
- Slip-fit connection



Codes/Standards

ASME A112.18.1/CSA B125.1

KOHLER® Faucet Lifetime Limited Warranty

See website for detailed warranty information.

1-800-4KOHLER (1-800-456-4537)

Kohler Co. reserves the right to make revisions without notice to product specifications.

For the most current Specification Sheet, go to www.kohler.com USA or www.kohler.ca Canada

9-15-2025 20:04 - US/CA

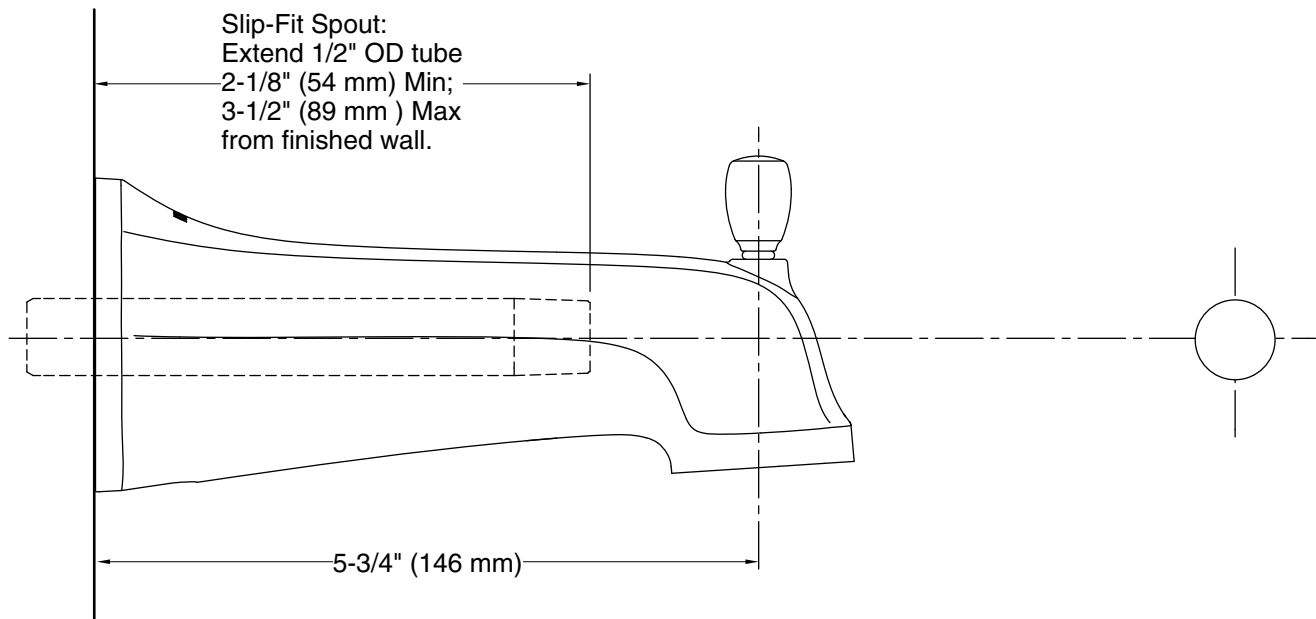
THE BOLD LOOK
OF **KOHLER®**

KOHLER Faucets

Wall-mount bath spout with diverter, slip-fit connection

Bancroft®

K-10589



Technical Information

All product dimensions are nominal.

Spout:

Spout reach: 5-3/4" (146 mm)

Notes

Install this product according to the installation guide.

Install straight pipe or tube drop of 7" (178 mm) to 18" (457 mm) with single elbow between valve and wall-mount spout.