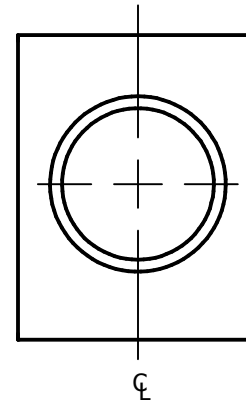
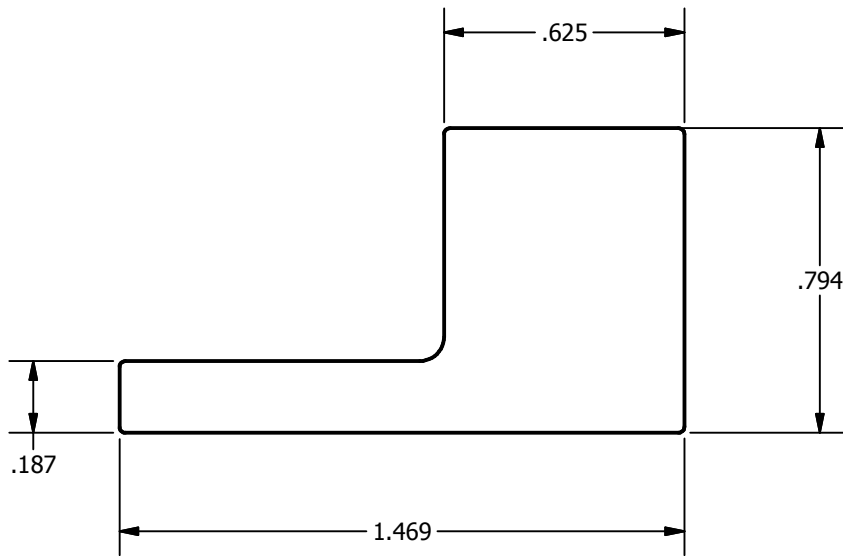
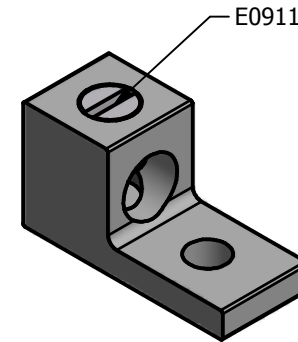
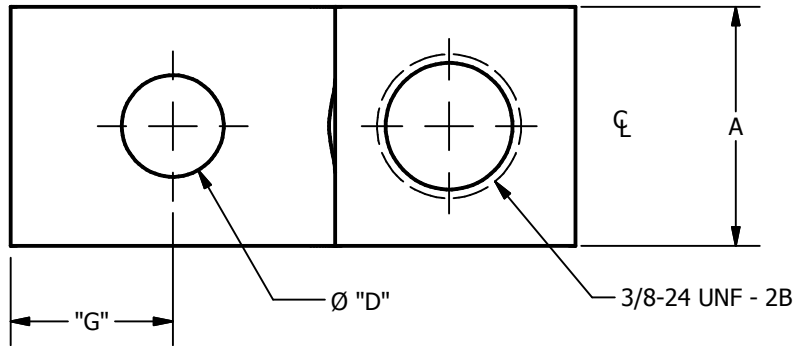


SCREW: E0911	MATERIAL: ALUMINUM	REV: L	<b>ILSCO</b> connections matter 800-776-9775 www.ilsco.com	
CAT. NO.: TA-0	PLATING: EL-TIN	DRAWN BY: NN	SCALE: 2:1	
INFORMATION SHEET: FORM 1	MARKING: SEE CHART	DATE: 12/4/2007	SIZE: A	
			DWG. NO. <b>D0830</b>	
			SHEET: 1 OF 1	



DEV	MOUNTING HOLE "D"	"G"	MARKING
-10	.265	.422	BKB, ADR11, AL9CU, 1/0-14.
-22	.265	.422	ILSCO, TA-0, 1/0-14, AL9CU
-24	.198	.422	ILSCO, TA-0, 1/0-14, AL9CU
-26	.406	.422	ILSCO, TA-0, 1/0-14, AL9CU
-28	.265	.297	ILSCO, TA-0, 1/0-14, AL9CU
-46	.406	.422	ILSCO, TA-0, 1/0-14, AL9CU
-48	.328	.422	ILSCO, TA-0, 1/0-14, AL9CU