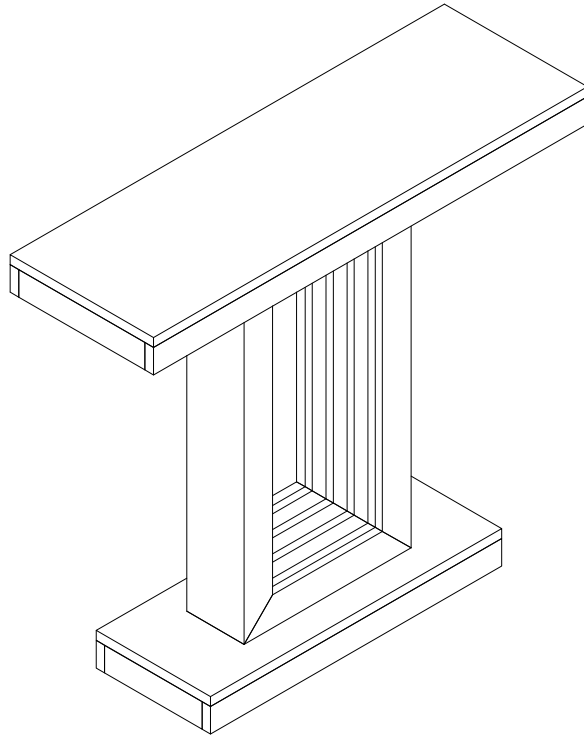


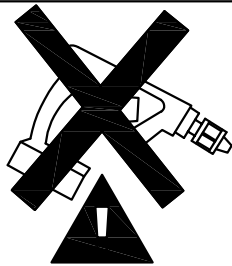
# ASSEMBLY INSTRUCTION

## Console Table 910mm

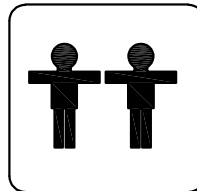


### REPLACEMENT PARTS

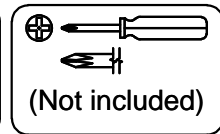
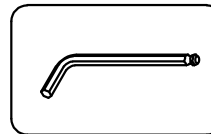
*Please do not contact the company purchased from as we can help you faster.  
Order replacement parts and hardware at " [www.boltonfurniture.com](http://www.boltonfurniture.com) "*



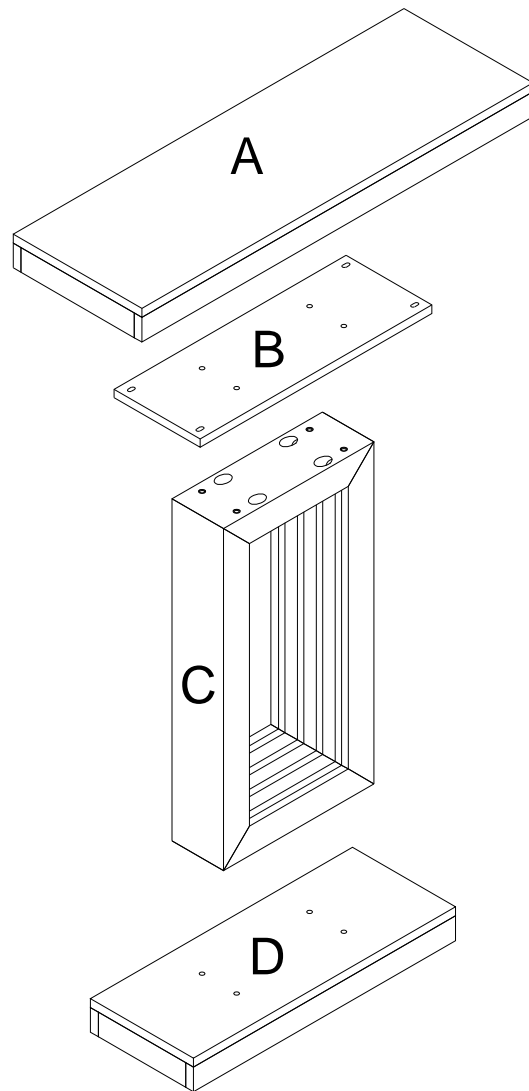
- . Use of power tool to assemble this product will invalidate any claim and damage this product making it unsafe !!!
- . Please assemble on a clean soft surface to avoid damage.



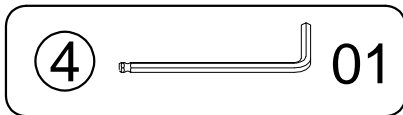
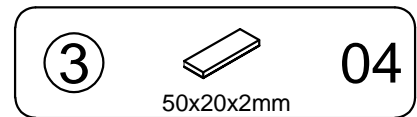
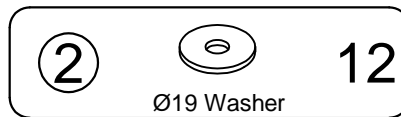
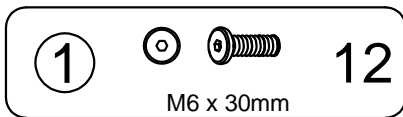
### Tools Required




# Part list - Console Table 910mm




Identifying the hardware-Identify the hardware using the illustrations below




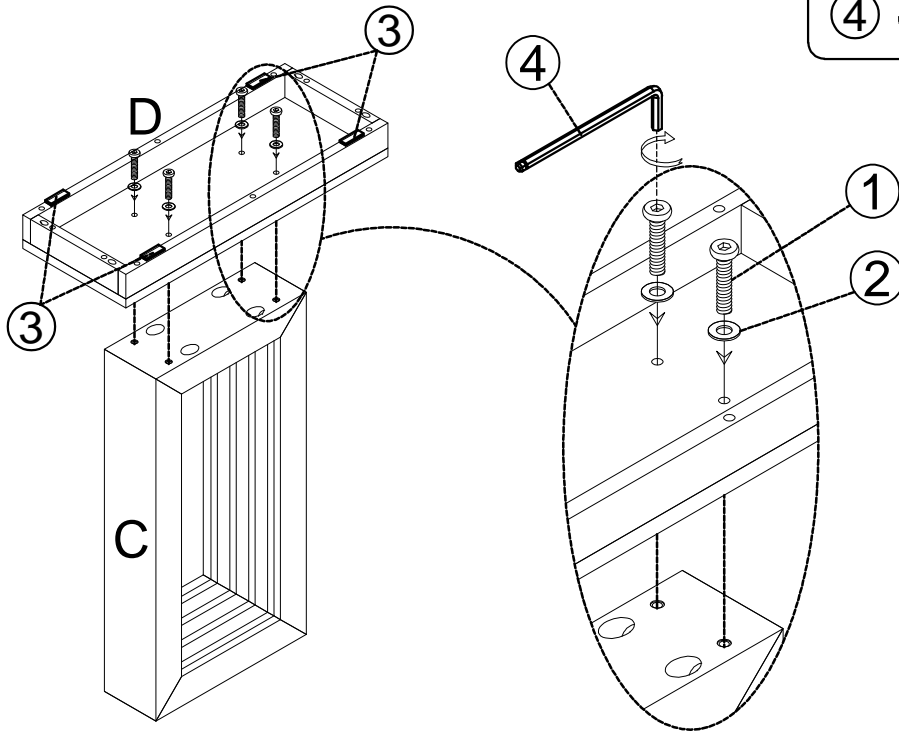
STEP 1

①  04  
M6 x 30mm


②  04  
Ø19 Washer

③  04  
50x20x2mm


④  01

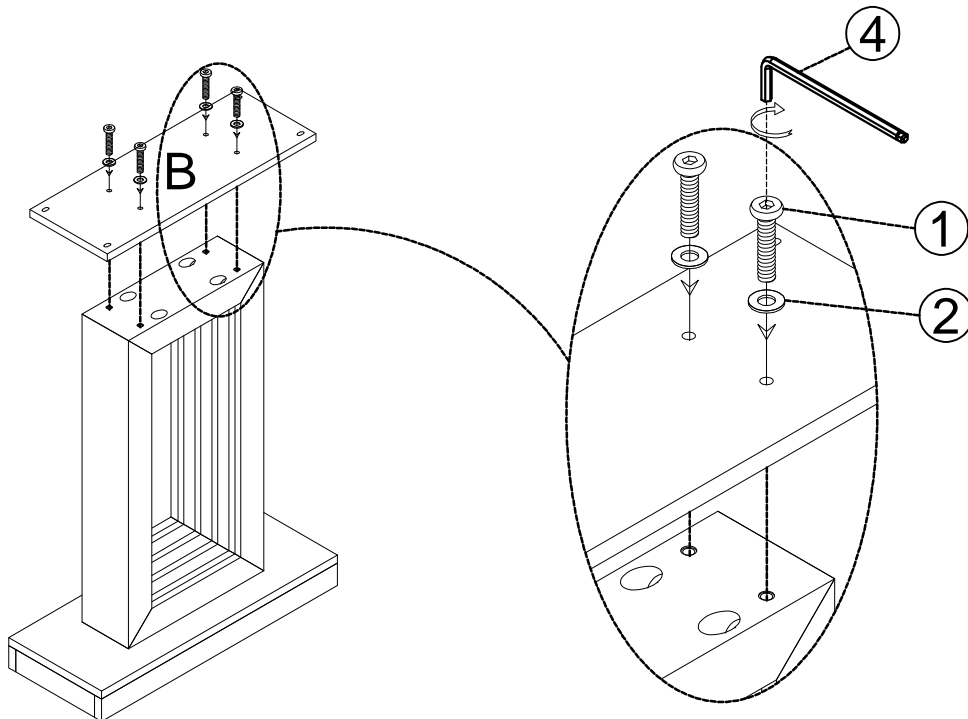


STEP 2


①  04  
M6 x 30mm

②  04  
Ø19 Washer

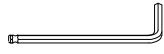
④  01



# STEP 3

①  04  
M6 x 30mm

②  04  
Ø19 Washer

④  01

