

Installation Guide

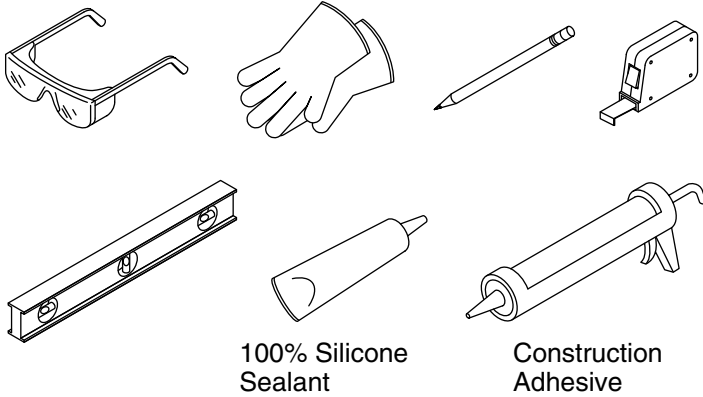
Seamless Freestanding Bath

Français, page "Français-1"
Español, página "Español-1"



1396992-2-A

Tools and Materials



Plus:

- Drop Cloth
- Wood Blocks
- 1-1/2" Tailpiece
- 1/2" (13 mm) Exterior Grade Plywood (for Rim-mount Faucet)

Optional:

For installations with limited or no access below the bath.

- 1-1/2" Straight or 90 Degree PVC Drain Elbow (KOHLER 1069646 or Equivalent)
- Drain Elbow Gasket (KOHLER 1068203 or Equivalent)

Before You Begin



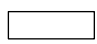
CAUTION: Risk of personal injury. Do not sit on the bath rim. The integrated shroud is not designed to support weight.

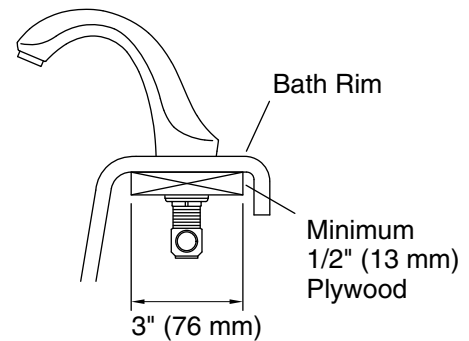
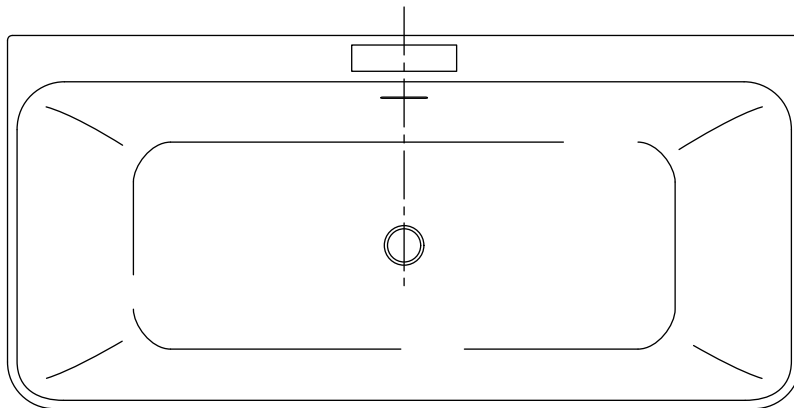
IMPORTANT! To ensure a successful installation, install the bath on a level finished floor.

IMPORTANT! Carefully follow the silicone sealant manufacturer's instructions for application and curing time.

NOTE: Your product may appear different from that shown. The installation procedure is the same.

- Observe all local plumbing and building codes.
- Determine the location of the bath.
- Make sure that the subfloor offers adequate support for the bath.
- Unpack and inspect the bath and components for damage. Return the bath and components to the carton until installation.
- For installations with limited or no access from below, install with a drain elbow and gasket.
- To simplify future maintenance, make sure that all plumbing connections around the bath are easily accessible.
- Two people are needed to install this product.
- This bath features an integral overflow.
- Install a floor-, wall-, or rim-mounted faucet with this back-to-wall bath.
- If installing a rim-mount faucet, make sure that there is no interference above or below the rim before drilling any holes.
- This bath conforms to CSA B45.5/IAPMO Z124. All dimensions are nominal.

 Recommended Faucet Location (See Specification Sheet for Dimensions)



1. Prepare the Rim-Mount Faucet (Optional)

NOTICE: Before installing a rim-mount bath faucet, refer to the specification sheet on the bath product page at sterlingplumbing.com for faucet location dimensions for your model.

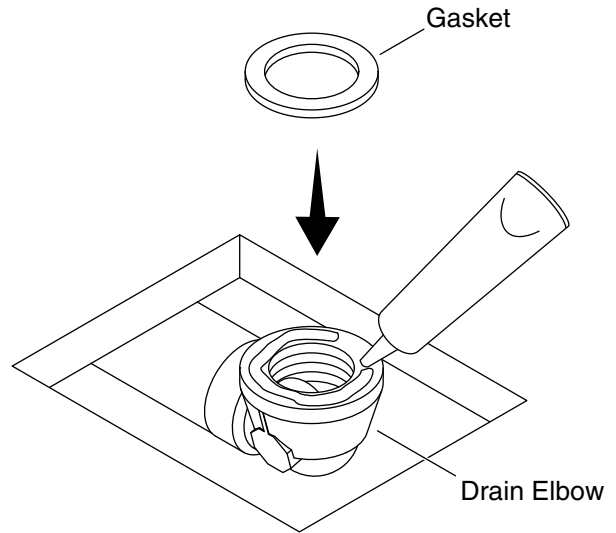
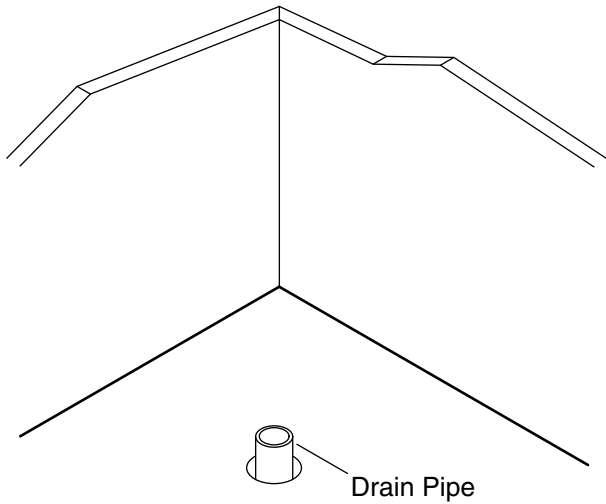
NOTICE: To accommodate the bath shroud, use flexible connections to attach the water supplies to a rim-mount faucet.

NOTICE: For rim-mount faucet installations, route the water supply lines high enough to permit access for making the final connections from above the shroud.

- Measure and cut a piece of 1/2" (13 mm) exterior grade plywood to support the faucet. The board should be 3" (76 mm) wide. The length should extend beyond the width of the faucet holes to ensure proper support.
- Locate the faucet in the desired location on the bath rim. Make sure the faucet trim fits on the bath rim without overhanging. Make sure that there is no interference above or below the rim before drilling any holes.
- Refer to the installation instructions packed with the faucet to determine faucet hole size.
- Use a pencil to mark the faucet hole centerlines. Do not drill the holes at this time.

CAUTION: Risk of product damage. To avoid scratching the bath, position a thin piece of cardboard under any clamps before tightening.

- Position the plywood on the underside of the rim, then clamp in place. Make sure that the clamps do not directly contact the finished surface of the bath.
- Carefully drill the faucet holes.
- Install the valve according to the installation instructions included with the valve. **Do not** install the faucet trim until instructed.



2. Install the Drain Pipe or Elbow

NOTE: Provide access to all plumbing connections to simplify future maintenance.

NOTICE: Measure your product for site preparation. Note the model number located on the packaging label, then visit the product page at sterlingplumbing.com for additional information.

- Determine the location of the drain according to the bath installation location.

Drain Pipe Installation

NOTE: Recommended for installations with access below the bath.

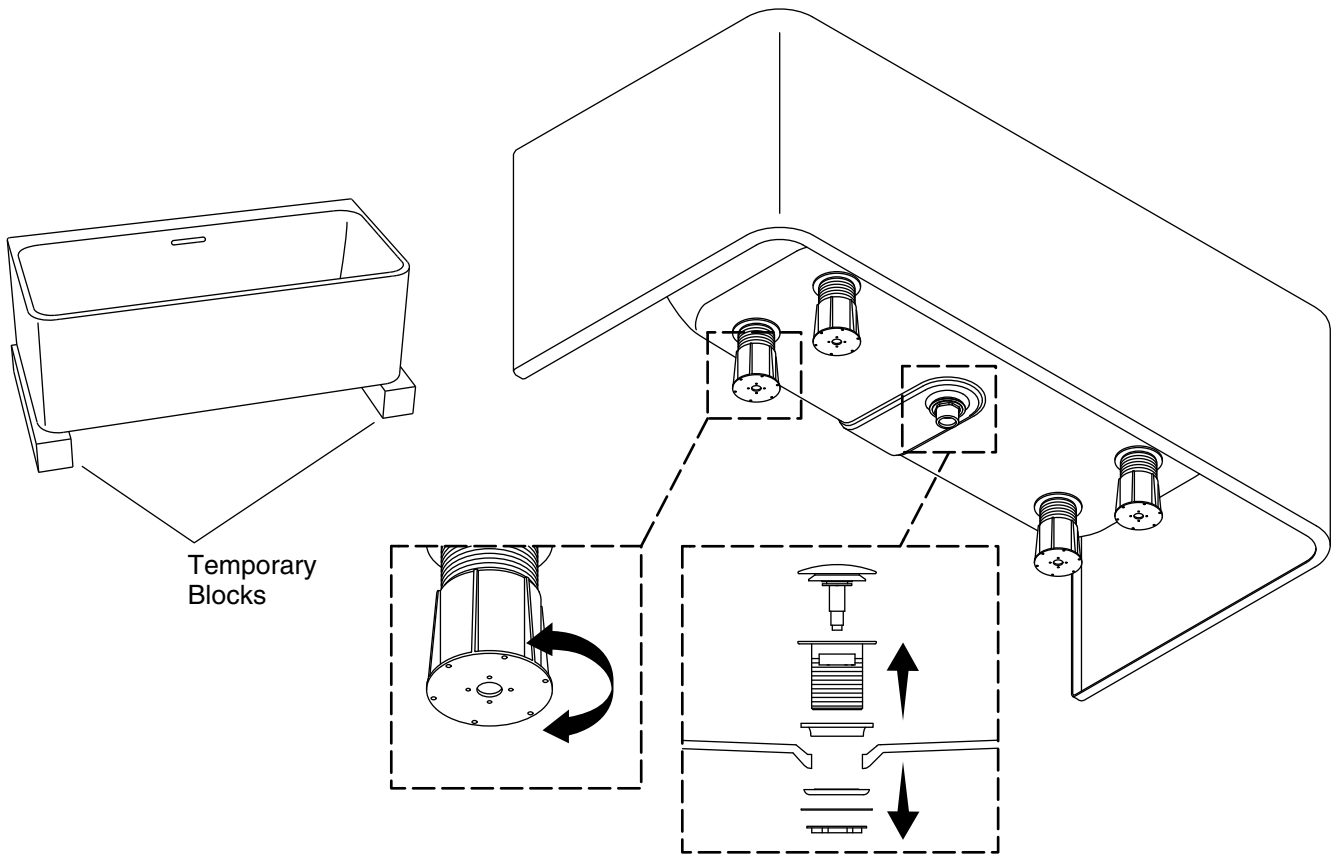
- Position and install a standard PVC or brass drain pipe.

Drain Elbow Installation

NOTE: Recommended for installations with limited or no access below the bath. Use KOHLER 1069646 drain elbow and 1068203 gasket or equivalent.

- Install a straight or 90 degree 1-1/2" PVC drain elbow to the drain.
- Apply a small amount of sealant to the drain elbow flange and place the gasket on the flange.

IMPORTANT! For a leak-free connection, the gasket must contact the bottom of the bath when installed.



3. Prepare the Bath

NOTICE: Provide adequate floor support.

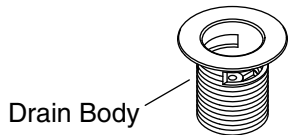
- Make sure that the subfloor is level and offers adequate support for the bath.

IMPORTANT! To ensure a successful installation, install the bath on a level finished floor.

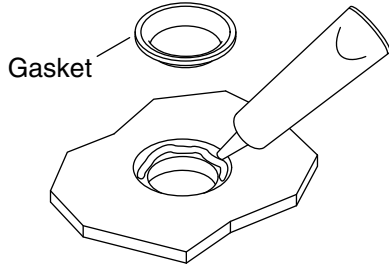
- With help, set the bath onto wood blocks in the installation location. Position the blocks at each end of the bath.
- Verify that the bath drain aligns properly with the drain pipe or elbow.
- Disassemble the drain from the bath.
- For a rim-mount faucet, install the faucet and trim according to the faucet and trim instructions. Make sure that there is adequate support under the bath rim to support the faucet. Refer to the "Prepare the Rim-Mount Faucet (Optional)" section.

IMPORTANT! The feet must extend past the bath shell and be level with each other so that the weight of the bath is evenly supported by all four feet.

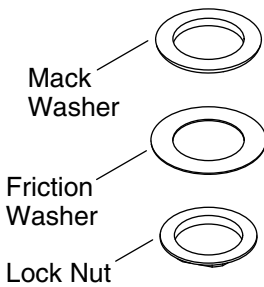
- Adjust the feet so that the bottom of each foot protrudes approximately 1/8" (3 mm) to 3/16" (5 mm) from the underside of the bath.
- With help, remove the wood blocks and set the bath on the floor.
- Check that the bath is level and resting on all four feet. Adjust the feet as necessary.



Drain Body



Gasket

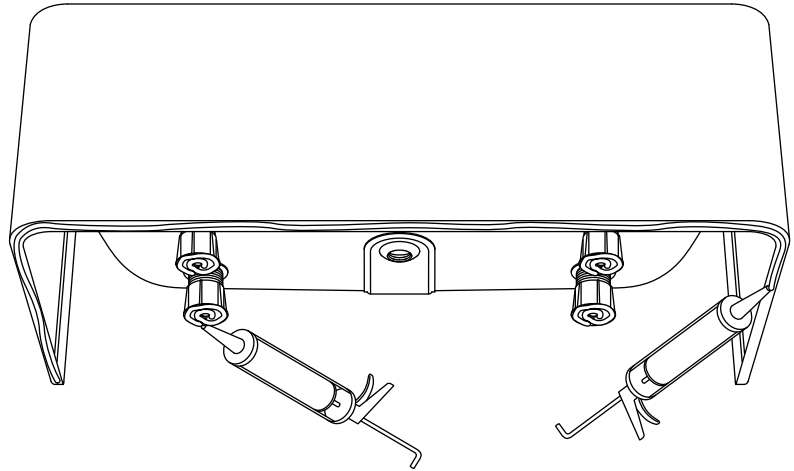
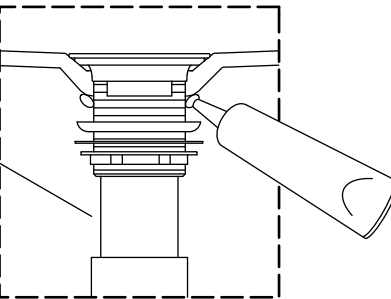


Mack Washer

Friction Washer

Lock Nut

1-1/2"
Tailpiece



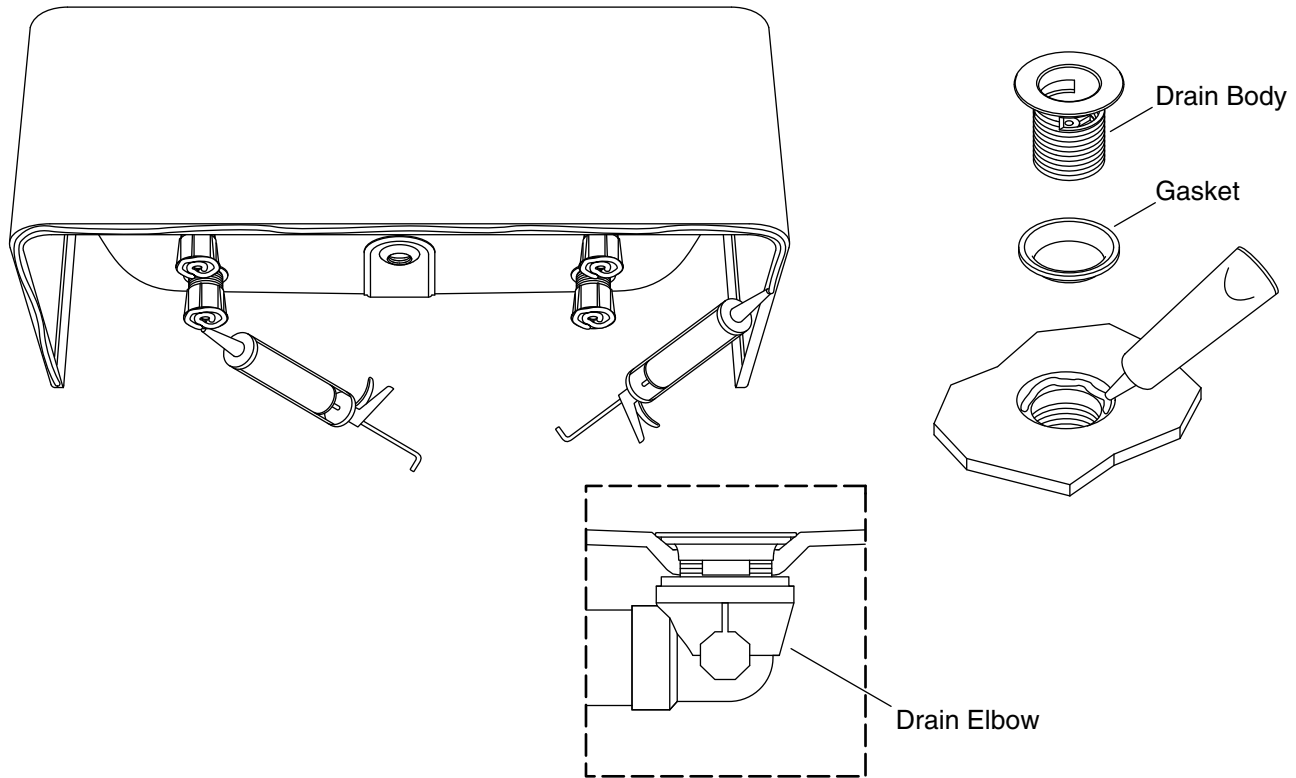
4. Install the Bath with a Drain Pipe

NOTICE: To avoid damaging the finish of the bath, lay a drop cloth or other protective liner in the bath before proceeding.

NOTE: For installations with a drain elbow, go to the "Install the Bath with a Drain Elbow" section.

NOTE: Do not use plumbers putty.

- With help, carefully tilt the bath on its back.
- Apply a bead of 100% silicone sealant to the drain hole.
- From the inside of the bath, install the drain body and gasket.
- From the bottom of the bath, apply a bead of 100% silicone sealant between the drain hole and the drain body.
- Install the mack washer, friction washer, and locknut.
- Apply construction adhesive to each of the bath feet and around the bottom edge of the shroud.
- With help, set bath into the installation location over the drain pipe.
- Connect the drain body to the drain pipe using a 1-1/2" tailpiece.



5. Install the Bath with a Drain Elbow

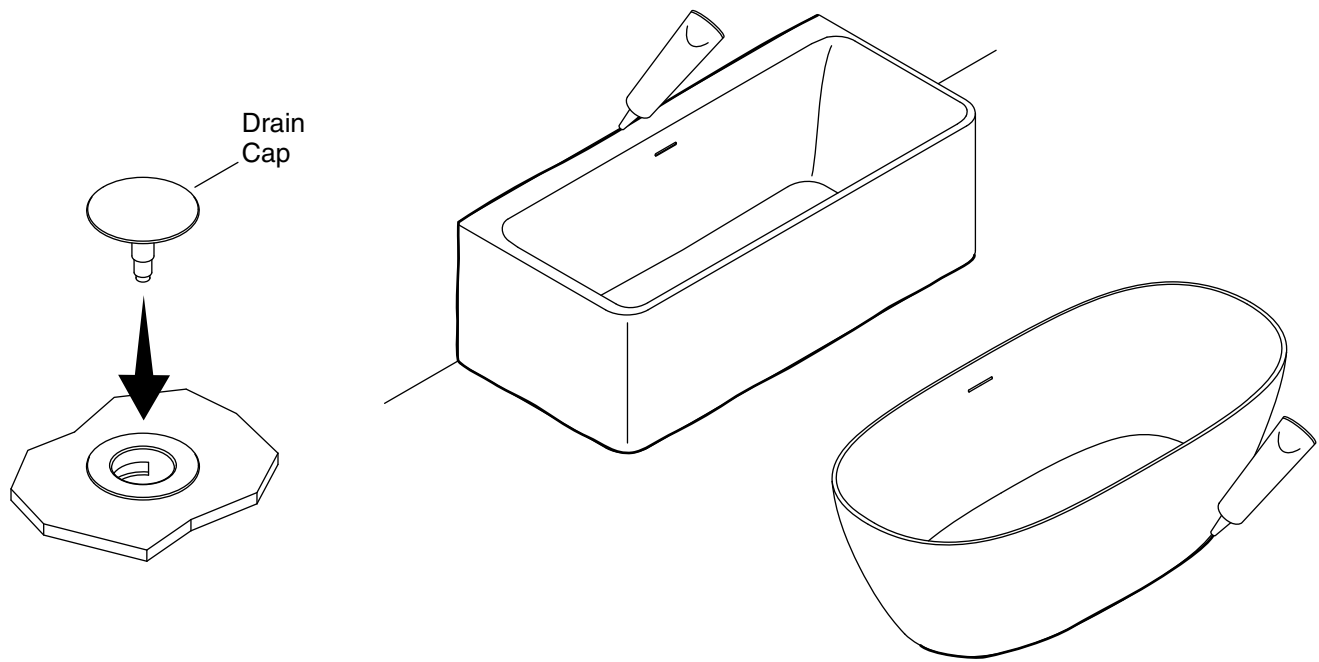
NOTICE: To avoid damaging the finish of the bath, lay a drop cloth or other protective liner in the bath before proceeding.

NOTE: For installations with a drain pipe, go to the "Install the Bath with a Drain Pipe" section.

NOTE: The friction washer, mack washer, and locknut are not required when installing to a drain elbow.

NOTE: Do not use plumbers putty.

- With help, carefully tilt the bath on its back.
- Apply construction adhesive to each of the bath feet and around the bottom edge of the shroud.
- With help, set bath into the installation location over the drain elbow.
- Apply a bead of 100% silicone sealant to the drain hole.
- Slide the gasket onto the drain body.
- Thread the drain body into the drain elbow.



6. Complete the Installation

- Thread the drain cap into the drain.
- Press the drain cap down several times to check that the drain opens and closes properly.
- Close the drain.
- Fill the bath to the overflow, and check for leaks.
- Apply a continuous bead of 100% silicone sealant between the edges of the bath and adjacent surfaces to ensure a watertight seal is formed.