

# SONANCE

## PROFESSIONAL SERIES PS-C85RT ROUND FLEX BRACKET QUICKSTART GUIDE

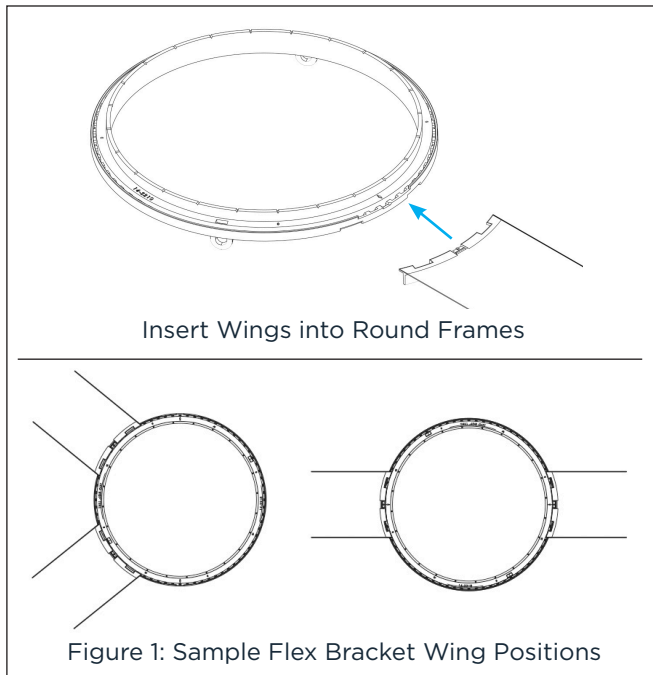
### FOR USE WITH PS-C85RT LOUDSPEAKERS.

The PS-C85RT Round Flex Bracket is installed during construction and serves as a guide for the drywall installer when cutting openings, designed for easy attachment to joists before drywall installation. Once the drywall is cut, the speaker is clamped to the wall of ceiling using its RotoLock clamps (the Flex Bracket does not need to be removed).

## INSTALLATION

### ASSEMBLE THE FLEX BRACKET

1. Hold the Flex Bracket frame with the “This Side Out” legends facing toward you. Insert the wings into the Round Flex Bracket frames at the single entry point marked below with an arrow.
2. Once they are attached to the Flex Bracket frame, the Flex Bracket wings can be positioned anywhere around the frame to suit the installation placement.



3. When the wings are in the desired positions on the frame, secure them into position by snapping the wing locks onto either side of them (see Figure 2). This will prevent the Flex Bracket frame from moving out of position after the Flex Bracket wings are fastened to the wall studs or ceiling joists in the mounting location.

### INSTALL THE FLEX BRACKET

1. Position the Flex Bracket in the desired location against the wall studs or ceiling joists, with the “This Side Out” legends facing outward. The speaker will be slightly adjustable within the hole (about 1/8” all directions).
2. Attach the Flex Bracket wings to the studs or joists using screws, nails, or staples that are at least 1/2” long. Use at least two fasteners per wing.
3. Feed the speaker wire through one of the Flex Bracket’s two wire loops. This will keep the wire readily accessible to speaker installation personnel after the drywall is installed.

### REMOVING THE FLEX BRACKET WINGS

1. If required, the Flex Bracket can be unassembled by removing the wings.
2. Remove the wing locks.
3. Position the wing at the entry point in the bracket channel with its arrow facing the arrow in the channel.
4. Pull the bracket out of the channel.