

T4AR

2x4 Architectural LED Troffer Retrofit Kit

Product Description

The T4AR Architectural LED Troffer Retrofit provides an economical, easy-to-install upgrade from linear fluorescent lighting to a long-lasting and energy-efficient LED solution. The contemporary center lens design delivers a soft natural glow with even illumination and minimized glare, making it an attractive general-purpose ambient lighting solution. The T4AR also features a pre-mounted driver with a high-efficiency, maintenance-free LED chamber. Whether in a school, hospital, airport, office or convenience store, NICOR LED troffers bring a stylish and economical lighting solution to all commercial, educational, medical, and retail applications.

Construction

- US & International patent pending design
- Sturdy fixture and four rail system prevent warping and twisting
- Durable steel construction with powder coat finish
- High-efficiency, maintenance-free LED chamber
- Smooth formed sides for safe handling

Optical System

- Precision engineered polystyrene diffuser
- No visible diodes, hot-spots, or shadows providing high uniformity, and reduced glare
- Fully sealed LED chamber prevents ingress of dust and bugs

Electrical

- Long-life LED system coupled with electrical driver to deliver optimal performance with 125+ lumens per watt depending on CCT
- Driver delivers full-range dimming from 0 - 10VDC
- Operating temperature rating of 0°F to 100°F (-18°C to 38°C)
- Input voltage of 120-277VAC
- TM-21 Projected L70(9k) life >54,000 hours
- LM-79, LM-80 testing performed in accordance with IESNA standards.
- Meets FCC Part 15B: 2016 Class A requirements

Mounting and installation

- Unique four rail system minimizes gaps, creating a more seamless look
- Quick and easy single person installation
- Features an integral driver for easy installation
- Retrofits most fluorescent 2'x4' fixtures
- Seismic wire provided for safe installation and operation
- Suitable for use in IC rated troffer
- Overall inner dimensions: 48" x 24" x 3.25" high

Finish

- Matte white powder coat finish

Warranty

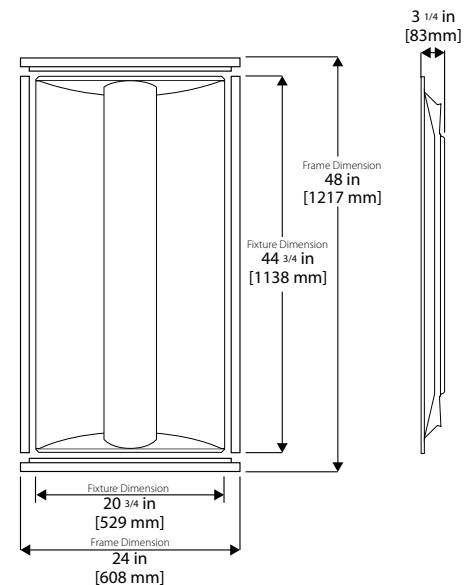
- 5-year limited system warranty standard
- Warranty does not cover product failure due to an overvoltage event (power surge.) For installations where power surge may be possible, NICOR recommends installing additional surge protection at the fixture or electrical distribution panel

Project _____

Catalog _____

Type _____

Date _____

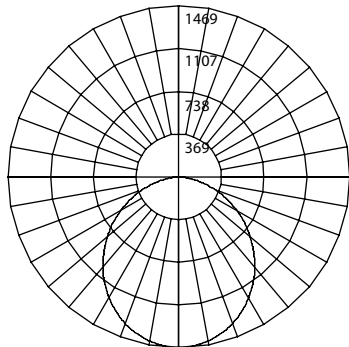


US & International patent pending

Photometric Data

T4AR-24 3500K

Input Voltage (VAC)	120-277
System Level Power (W)	33.8
Delivered Lumens (Lm)	4277
System Efficacy (Lm/W)	126.4
Correlated Color Temp (K)	3301
Color Rendering Index (CRI)	82
Beam Angle (0°)	106.4°
Beam Angle (90°)	119.8°
Spacing Criteria (0°)	1.22
Spacing Criteria (90°)	1.22



Intensity Summary (Candle Power)

Angle	Along	Across
0	1469	1469
5	1467	1464
15	1405	1415
25	1285	1322
35	1119	1181
45	913	1003
55	693	819
65	458	651
75	227	442
85	39	68
90	0	0

CCT Data Multiplier

T4AR-24-MV-40	1.018
T4AR-24-MV-50	1.037

Cone of Light Tabulation

Mounted height (Feet)	Footcandles Beam Center	Diameter (Feet)
4	91.7	5.0
6	40.8	7.5
8	22.9	10.0
10	14.7	12.5
12	10.2	14.9
14	7.5	17.4
16	5.7	19.9

Zonal Lumen Summary

Zone	Lumens	% of Luminaire
0-30	1136	26.6%
0-40	1855	43.4%
0-60	3270	76.5%
0-90	4277	100.0%
90-180	0	0.0%
0-180	4277	100.0%

Fixture tested per LM-79-08. Photometric data is of the performance of a representative fixture. Results may vary in the field.

Performance Data

Model Number	Lumens	Watts	Lumens/Watt
T4AR-24-MV-35	4277	33.8	126.4
T4AR-24-MV-40	4356	33.8	128.8
T4AR-24-MV-50	4435	33.8	131.1

Recommended Dimmers*

- Lutron NTSTV-DV-WH
- Lutron DVSTV
- Cooper SF10P
- Legrand RH4FBL3PW

*Not a complete list. Check compatibility before installation.

Ordering Information

Example: T4AR-22-MV-40

Series	Size	Voltage	CCT's
T4AR	24 (2' x 4')	MV (120-277V)	35 (3500 K)
			40 (4000 K)
			50 (5000 K)

Specifications and dimensions subject to change without notice.

This device complies with part 15 of the FCC Rules. Operation is subject to the following two conditions: (1) This device may not cause harmful interference, and (2) this device must accept any interference received, including interference that may cause undesired operation.

NOTE: This equipment has been tested and found to comply with the limits for a Class A digital device, pursuant to part 15 of the FCC Rules. These limits are designed to provide reasonable protection against harmful interference when the equipment is operated in a commercial environment. This equipment generates, uses, and can radiate radio frequency energy and, if not installed and used in accordance with the instruction manual, may cause harmful interference to radio communications. Operation of this equipment in a residential area is likely to cause harmful interference in which case the user will be required to correct the interference at his own expense.