



Cimarron® | K-5310-RA

Two-piece elongated toilet with skirted trapway, 1.28 gpf

Features

- Two-piece design
- Elongated bowl offers added room and comfort
- Skirted trapway simplifies cleaning
- Comfort Height® feature offers chair-height seating that makes sitting down and standing up easier for most adults
- Right-hand Polished Chrome trip lever
- Patented ReadyLock® installation system, a simple solution for skirted toilets, saves time, hassle, and eliminates the need to drill into the floor for standard 12" (305 mm) rough-in
- Combination consists of toilet bowl and tank
- Coordinates with other products in the Cimarron collection
- Easy-to-flush canister design requires less force to actuate than a 3" (76 mm) flapper, and has 90% less exposed seal material which resists conditions that cause wear, tear, shrinkage and swelling
- Eligible for consumer rebates in some municipalities
- 1.28 gpf (4.8 lpf)



Sustainability



Available Colors/Finishes

Color tiles intended for reference only.

- 0 White
- 96 Biscuit



1-800-4KOHLER (1-800-456-4537)
Kohler Co. reserves the right to make revisions without notice to product specifications.
For the most current specification sheet, go to www.kohler.com USA or www.kohler.ca Canada.
4-15-2026 4:4 - US-CA

THE BOLD LOOK
OF **KOHLER**

Codes/Standards

ADA, OBC, CSA B651 compliant when installed to the specific requirements of these regulations.
 Accessibility standards may require controls to be located on the open side of the toilet.
 Plumbing codes may require elongated toilets and elongated, open-front seats in public bathrooms.



ASME A112.19.2/CSA B45.1
 DOE - Energy Policy Act 1992
 EPA WaterSense®
 California Energy Commission (CEC)
 ADA
 ICC/ANSI A117.1
 CSA B651
 OBC

Technical Information

| | |
|-----------------------|-----------------------------------|
| Rough-in: | Standard 12" (305mm) |
| Flush Type: | AquaPiston |
| Flush Rate: | 1.28 gpf (4.8 lpf) |
| Bowl Shape: | Elongated |
| Waste Outlet: | Floor |
| Trapway Size: | 2-1/8" (54 mm) |
| Trapway Type: | Skirted |
| Water Surface Size: | 9-5/8" x 6-5/8" (244 mm x 168 mm) |
| Rim to Water Surface: | 6-3/8" (163 mm) |

Included Combo Skus

- K-5309 Elongated toilet bowl with skirted trapway
- K-4369-RA Toilet tank, 1.28 gpf

Recommended Products/Accessories

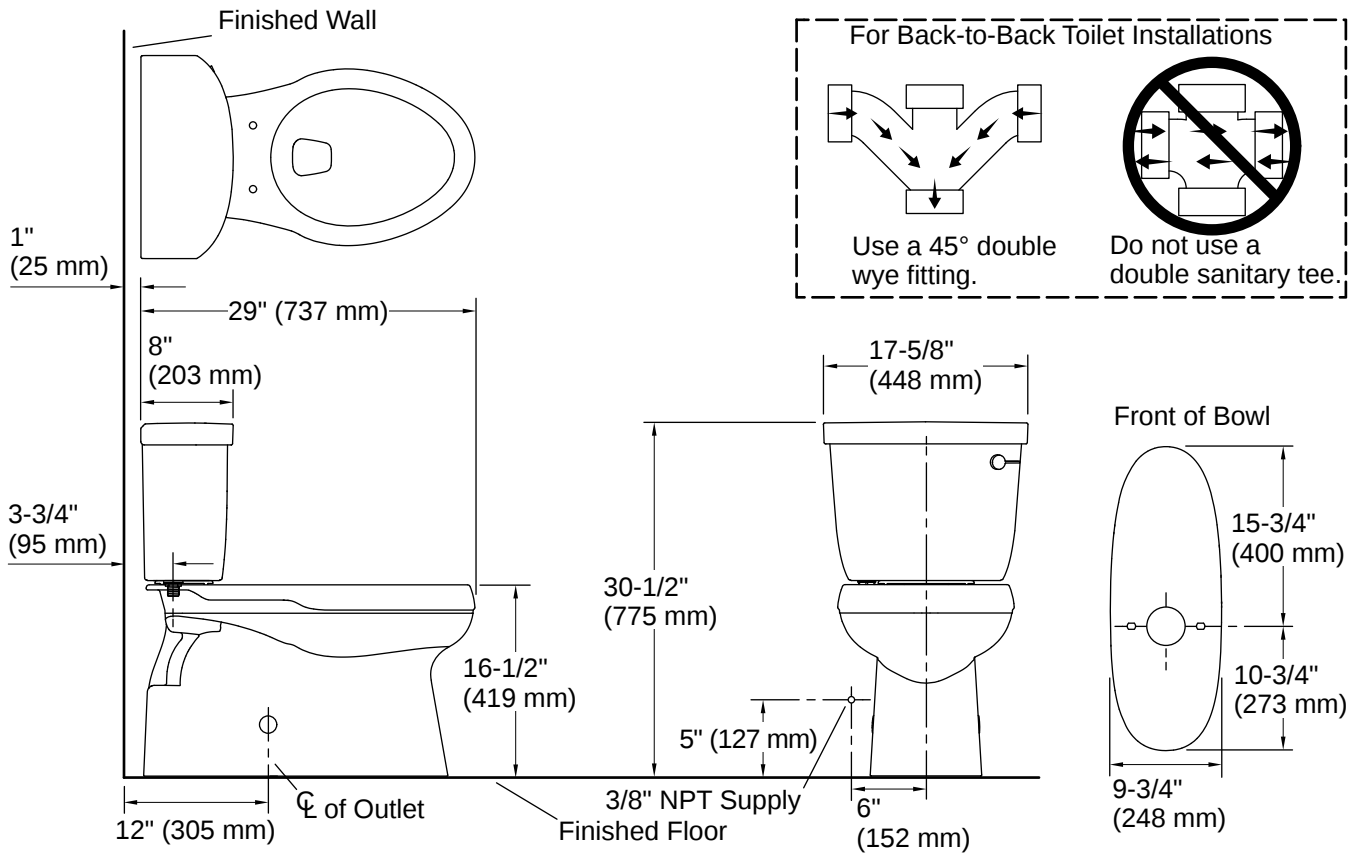
- 1023457 Toilet Wax Ring And Hardware Kit
- 1265114 12" Toilet Supply Line
- K-23726 Drain treatment
- K-9466-R Right-hand trip lever
- K-7637 3/8" NPT angle supply with stop and annealed vertical tube
- K-5383 10" rough-in full skirt trap and attachment system
- K-5381 14" rough-in full skirt trap and attachment system
- K-4636-RL ReadyLatch® Quiet-Close™ elongated toilet seat

Warranty

See website for detailed warranty information.

KOHLER® Toilets and Seats Limited Warranty





Installation

- Kohler's innovative installation system offers easy, intuitive installation with no need to drill holes in floor
- Standard 12" (305 mm) rough-in; 10" and 14" (254 mm and 356 mm) rough-in kits also available
- Seat and supply line sold separately

Installation Notes

Install this product according to the installation instructions.

For back-to-back toilet installations: Use only a 45° double wye fitting.

Product dimensions are nominal and may vary per ASME A112.19.2 tolerances.

ADA, OBC, CSA B651 compliant when installed to the specific requirements of these regulations.

Plumbing codes may require elongated toilets and elongated, open-front seats in public bathrooms.

Accessibility standards may require controls to be located on the open side of the toilet.

