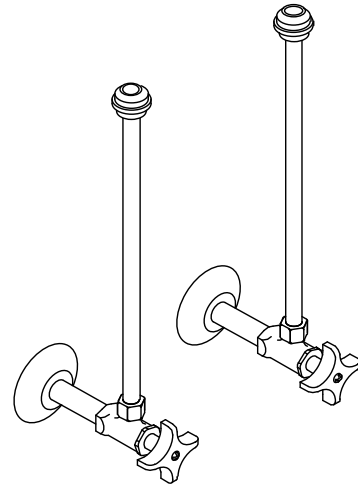


Features

- Compression valves
- Pair of angle supplies with stop
- Annealed vertical tube with union connection
- 3/8 NPT connection with flange
- Four-arm handle stop

Material

- Brass



Codes/Standards

ASME A112.18.1/CSA B125.1
NSF/ANSI/CAN 61
NSF/ANSI/CAN 372

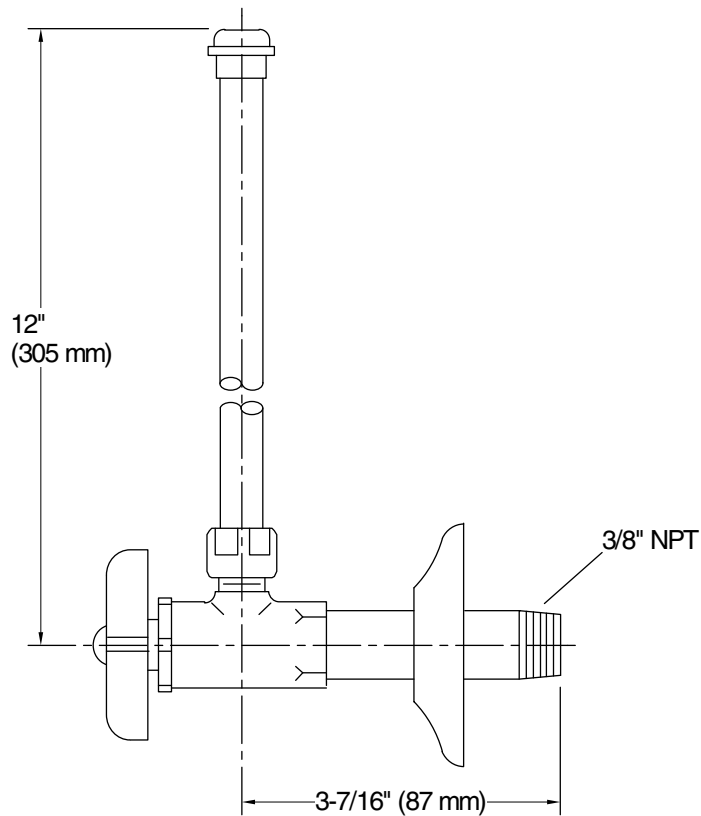
KOHLER® One-Year Limited Warranty

See website for detailed warranty information.

Available Colors/Finishes

Color tiles intended for reference only.

| Color | Code | Description |
|---|------|-----------------------------------|
|  | CP | Polished Chrome |
|  | SN | Vibrant® Polished Nickel |
|  | AF | Vibrant® French Gold |
|  | BN | Vibrant® Brushed Nickel |
|  | 2MB | Vibrant® Brushed Moderne Brass |
|  | TT | Vibrant Titanium |
|  | DR | Deep Bronze |



Technical Information

All product dimensions are nominal.

Material: Brass

Notes

Install this product according to the installation instructions.