

DS-2CE76H0T-ITMF 5 MP Outdoor Turret Camera



- 5 MP, 2560 x 1944 Resolution
- 2.8 mm, 3.6 mm, or 6 mm Lens
- Smart IR with a 98 ft (30 m) IR Range
- 4-in-1 Video Output (Switchable TVI/AHD/CVI/VBS)
- IP67

The Hikvision DS-2CE76H0T-ITMF 5 MP Outdoor Turret Camera provides high definition analog output with a resolution of up to 2560 x 1944 pixels. TurboHD means that the analog signal can be sent over existing coaxial cable, eliminating the need to run new cables for high definition video.

EXIR 2.0 is Hikvision's proprietary IR extended range technology, which has a range of 98 feet (30 meters).

The 2.8 mm, 3.6 mm, and 6 mm fixed lens options are optimized for viewing angles that fit any situation. DWDR (Digital Wide Dynamic Range) ensures that ideal images are captured regardless of the lighting conditions. The camera also supports TVI, AHD, CVI, and CVBS video signals, and is water and dust-resistant (IP67 rated).

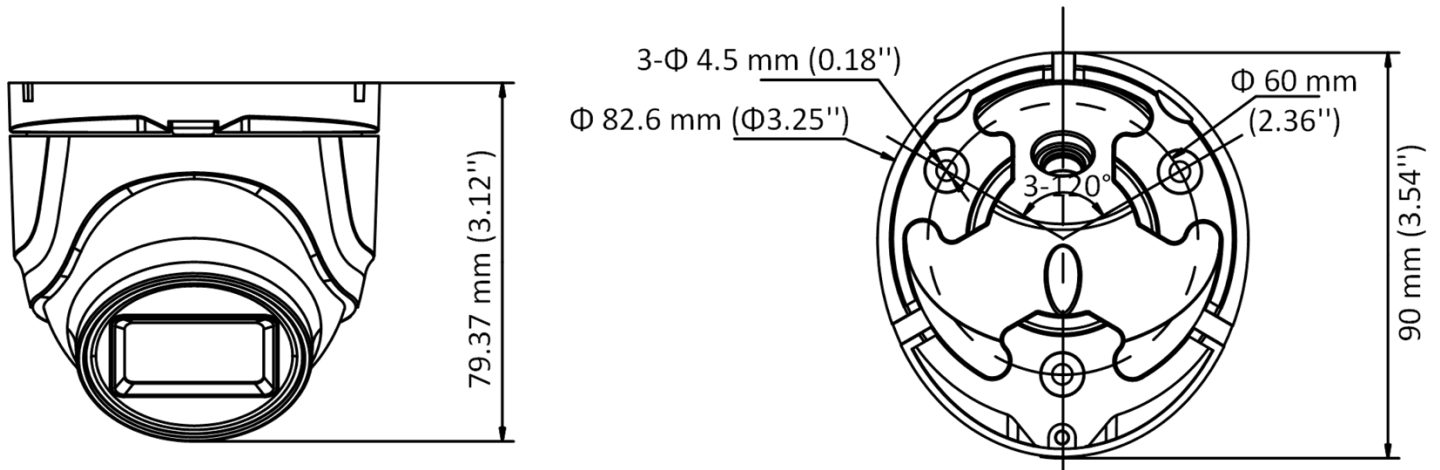
Available Models:
DS-2CE76H0T-ITMF



Specifications

Camera	
Image Sensor	5 MP CMOS
Signal System	PAL/NTSC
Resolution	2560 (H) × 1944 (V)
Frame Rate	TVI: 5 M @ 20 fps, 4 M @ 30 fps, 4 M @ 25 fps, 1080p @ 30 fps, 1080p @ 25 fps AHD: 5 M @ 20 fps, 4 M @ 30 fps, 4 M @ 25 fps CVI: 4 M @ 30 fps, 4 M @ 25 fps CVBS: PAL/NTSC
Minimum Illumination	0.01 lux @ (f/1.2, AGC on), 0 lux with IR
Shutter Speed	PAL: 1/25 s to 1/50,000 s NTSC: 1/30 s to 1/50,000 s
Lens	2.8 mm, 3.6 mm, or 6 mm fixed lens
Field of View	2.8 mm, horizontal FOV: 85°, vertical FOV: 63°, diagonal FOV: 110° 3.6 mm, horizontal FOV: 80°, vertical FOV: 63°, diagonal FOV: 105° 6 mm, horizontal FOV: 57°, vertical FOV: 43°, diagonal FOV: 72°
Lens Mount	M12
Day/Night	ICR
WDR (Wide Dynamic Range)	Digital WDR
Angle Adjustment	Pan: 0 to 360°, tilt: 0 to 75°, rotation: 0 to 360°
Menu	
Image Mode	STD/HIGH-SAT
AGC	Yes
Day/Night Mode	Auto/Color/BW (Black and White)
White Balance	Auto/Manual
AE (Auto Exposure) Mode	DWDR/BLC/HLC/Global
Noise Reduction	2D DNR
Language	English
Function	Brightness, Sharpness, Mirror, Smart IR
Interface	
Video Output	Switchable TVI/AHD/CVI/CVBS
General	
Operating Conditions	-40° to 140° F (-40° to 60° C), humidity 90% or less (non-condensing)
Power Supply	12 VDC ±25%
Power Consumption	Maximum 4.3 W
Protection Level	IP67
Material	Metal
IR Range	Up to 98 ft (30 m)
Communication	HIKVISION-C
Dimensions	Ø3.25" × 3.54" × 3.12" (Ø82.6 mm × 90 mm × 79.37 mm)
Weight	Approximately 0.64 lb (289 g)

Dimensions



Accessories

NOT INCLUDED



WMS
Wall Mount



PC110T
110 mm Pendant Cap



PM
Pole Mount



CM
Corner Mount



CBXS
Conduit Base