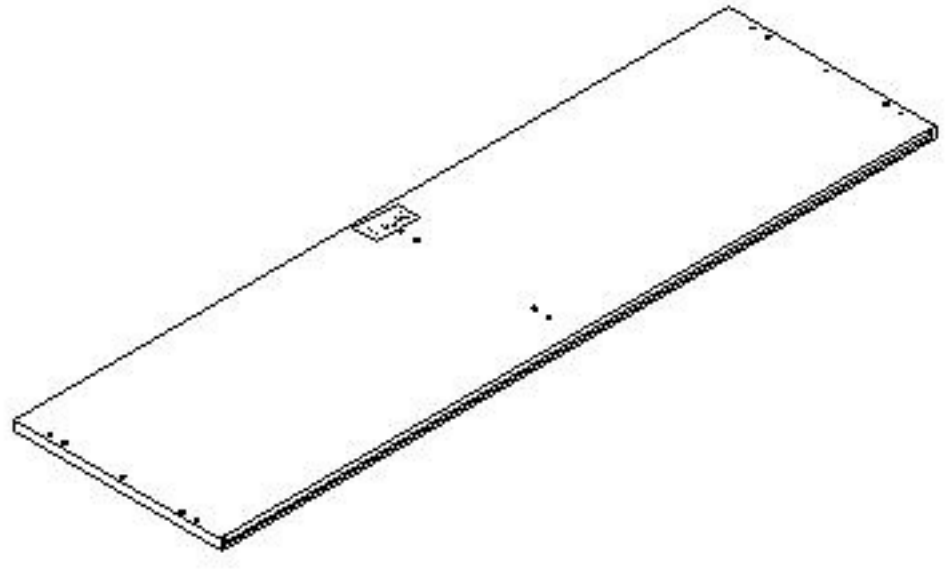
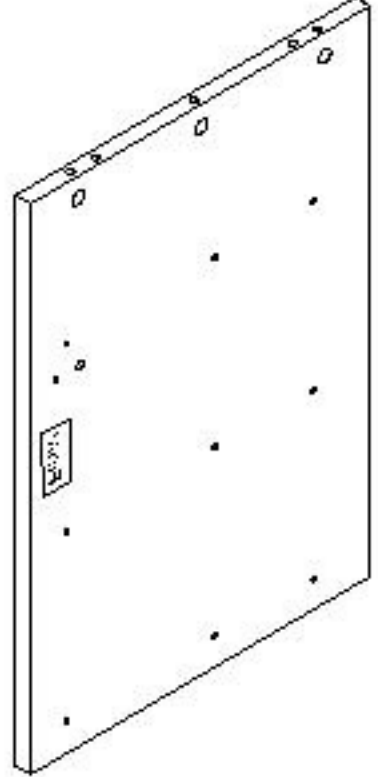
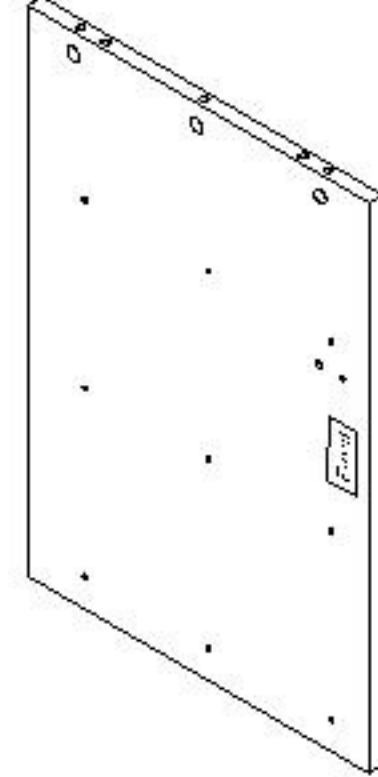
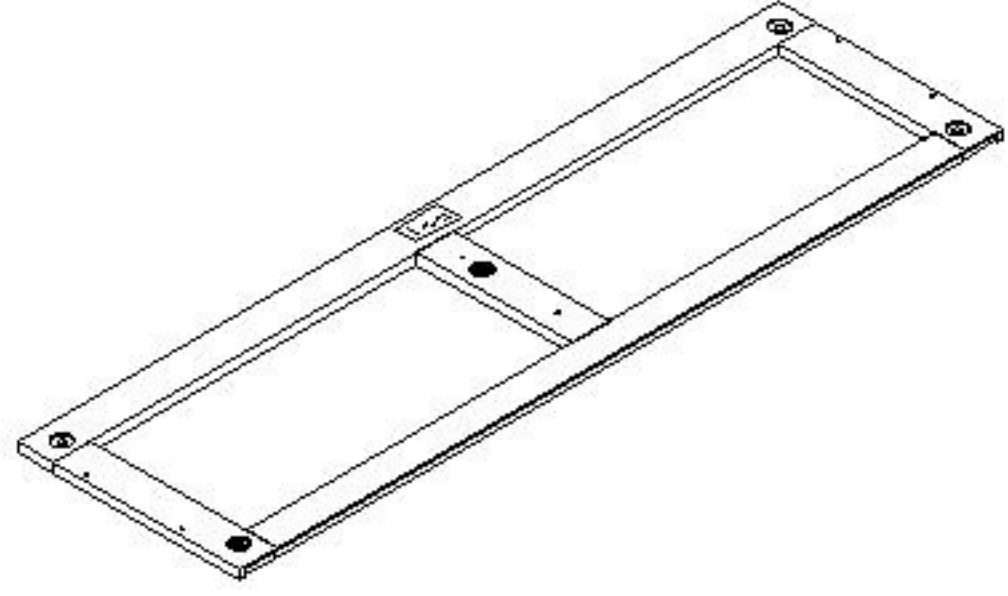
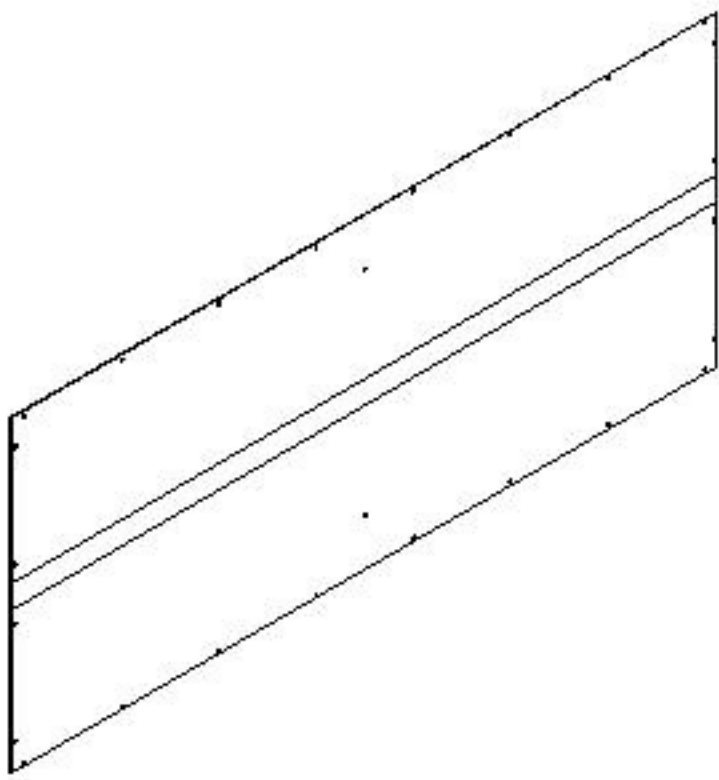
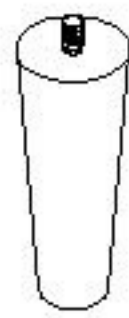
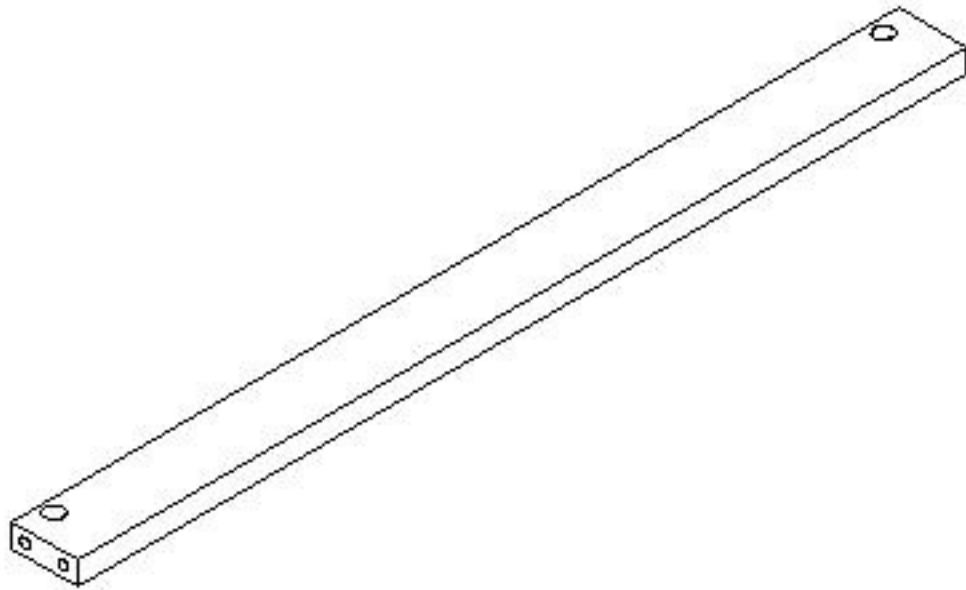
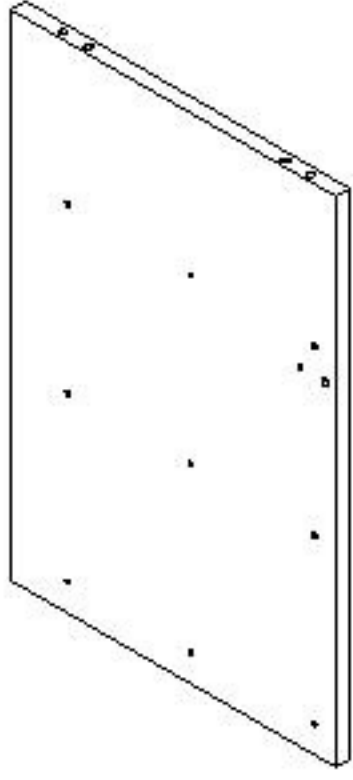
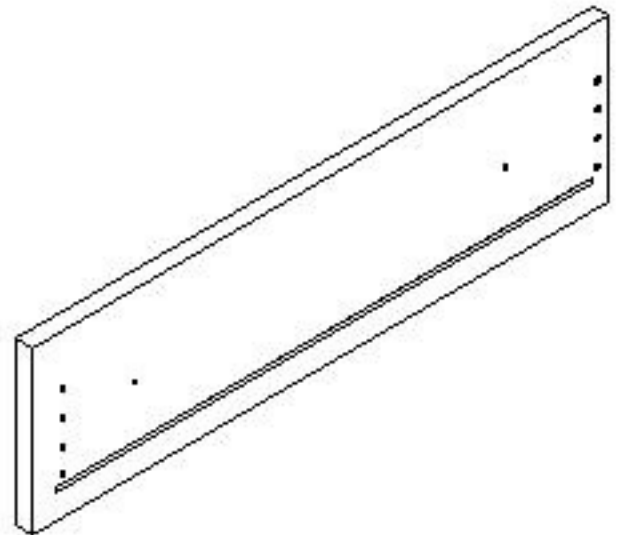
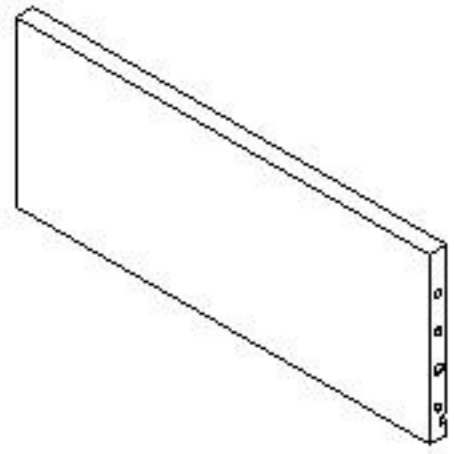
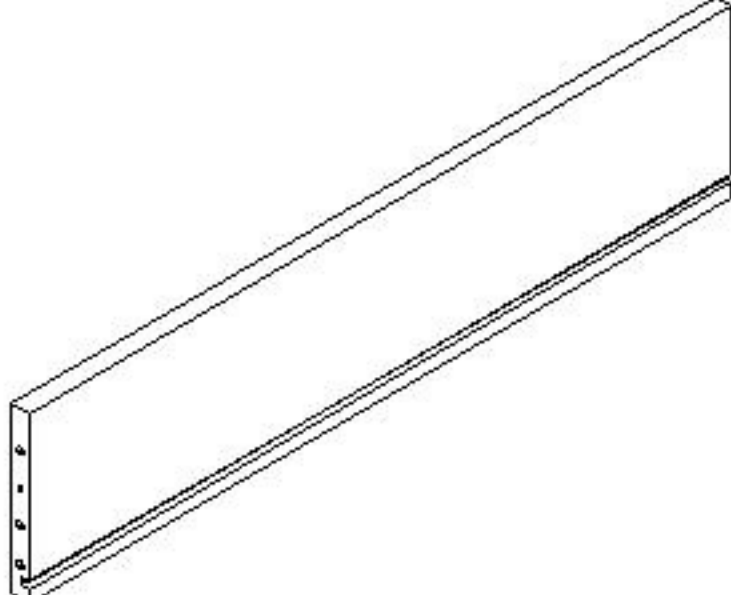
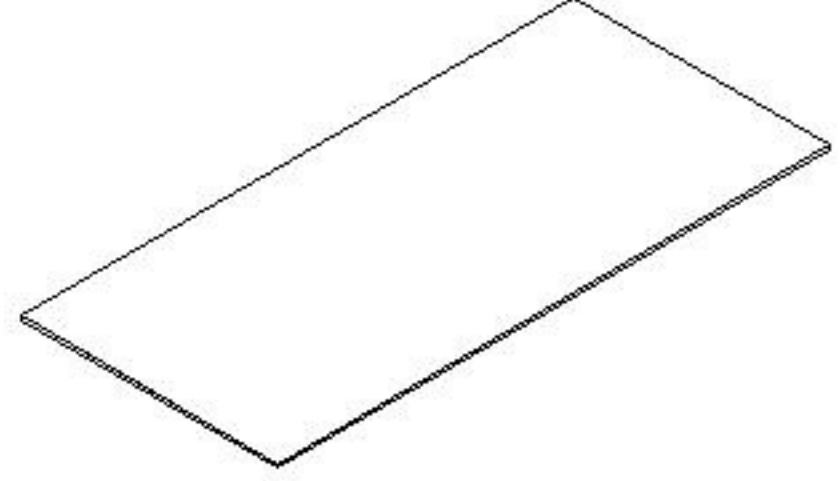
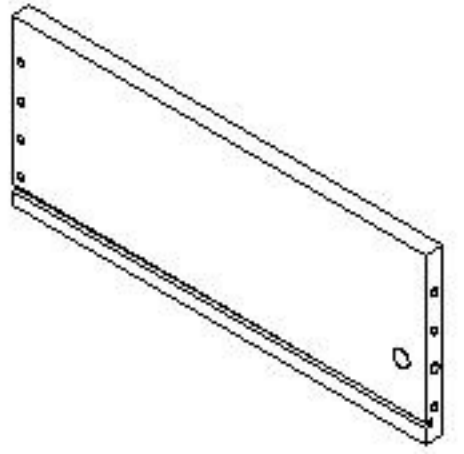
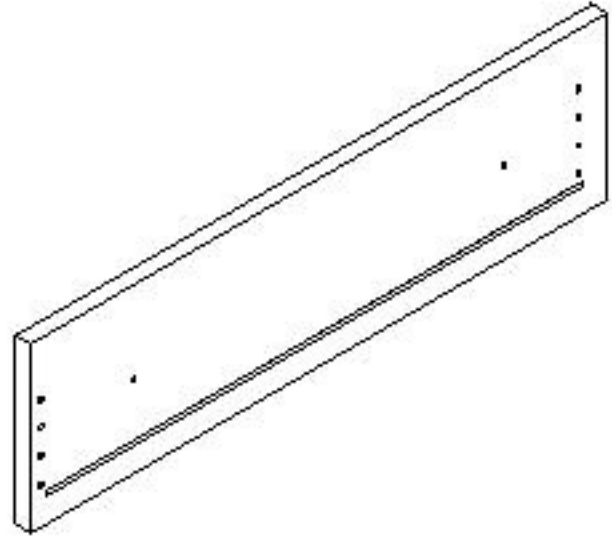
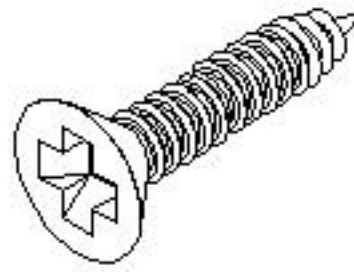
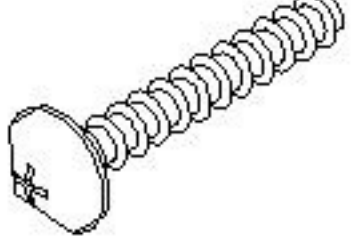
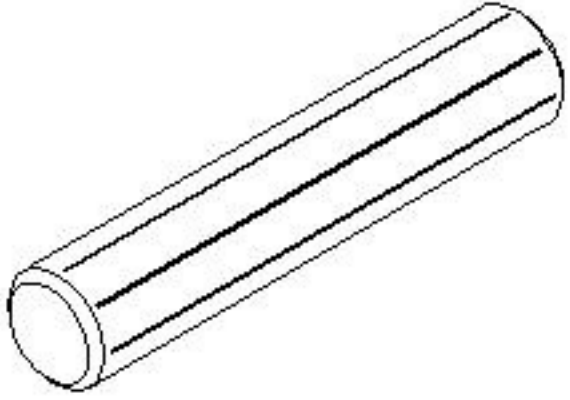
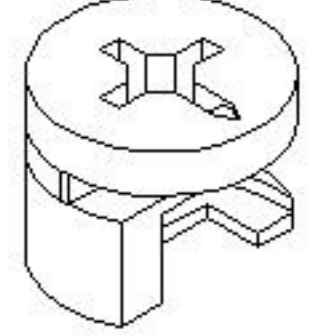
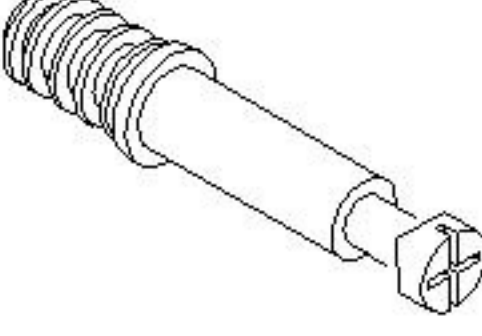
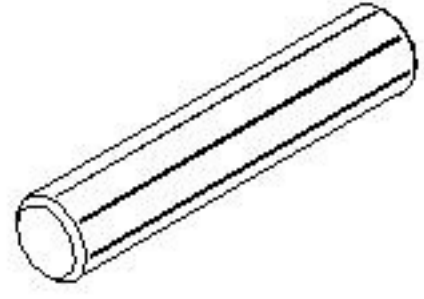
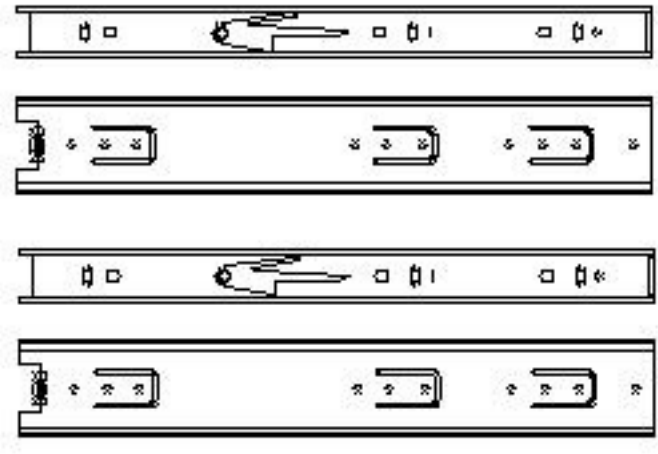


# ASSEMBLY INSTRUCTION

## 6-DRAWER DRESSER

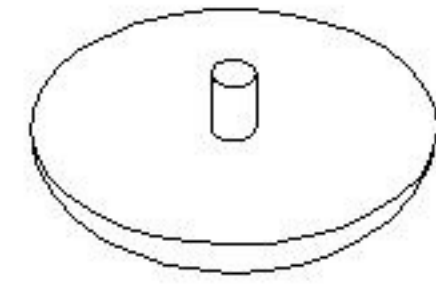
<b>A</b> Top Panel  1pc	<b>B</b> Left Side Panel  1pc	<b>C</b> Right Side Panel  1pc	<b>D</b> Bottom Frame  1pc
<b>E</b> Back Plywood  1pc	<b>F</b> Post  5pcs	<b>G</b> Center Bar  2pcs	<b>H</b> Partition  1pc
<b>I</b> Left Drawer Front  3pcs	<b>J</b> Left Drawer Side  6pcs	<b>K</b> Drawer Back  6pcs	<b>L</b> Drawer Base  6pcs
<b>M</b> Right Drawer Side  6pcs	<b>N</b> Right Drawer Front  3pcs	<b>O</b> Screw M3 x 16mm 	<b>P</b> Panhead Screw M4 x 22mm 
<b>Q</b> Dowel M8 x 35mm  16pcs	<b>R</b> Cam Lock 15 x 12mm  36pcs	<b>S</b> Cam Bolt 5 x 25mm  36pcs	<b>T</b> Dowel M6 x 30mm  72pcs

**U** Runner  
250mm



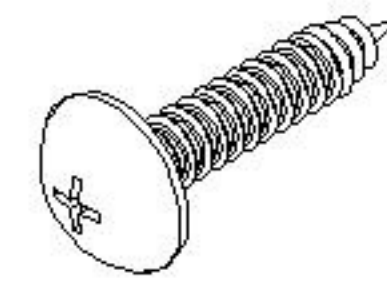
6sets

**V** Cam Lock Cover  
17 x 5mm



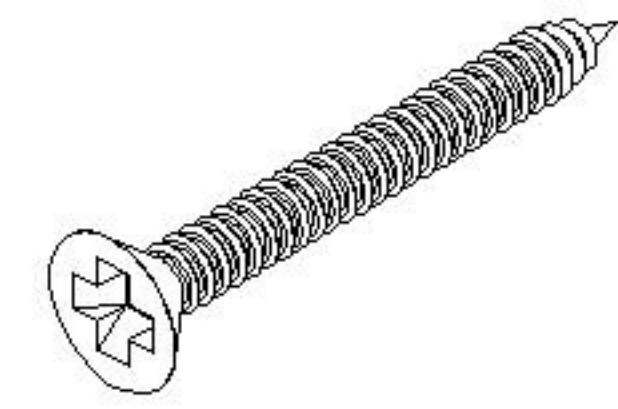
36pcs

**W** Panhead Screw  
M4 x 16mm-Black



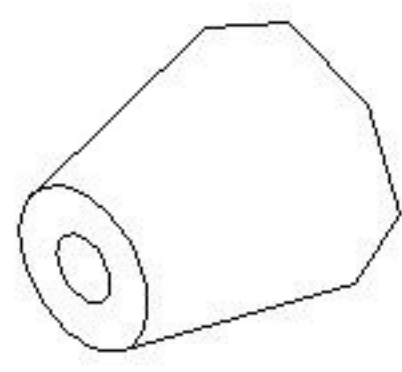
26pcs

**X** Screw  
M4 x 38mm



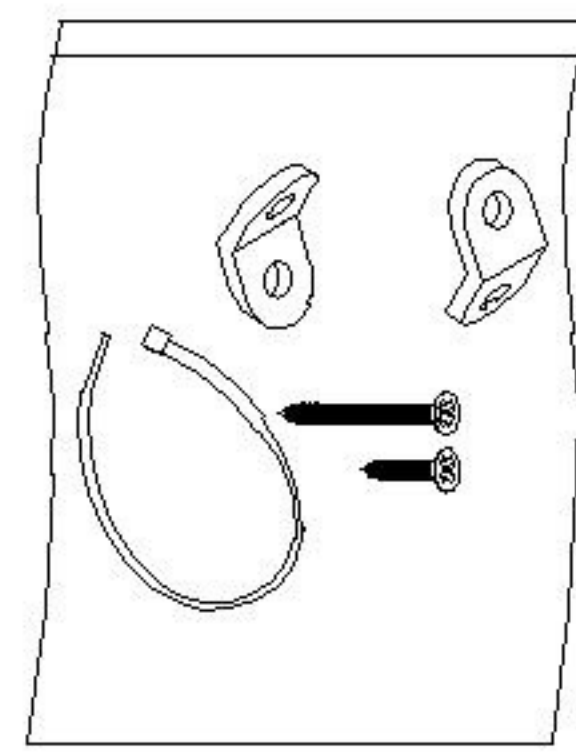
6pcs

**Y** Handle

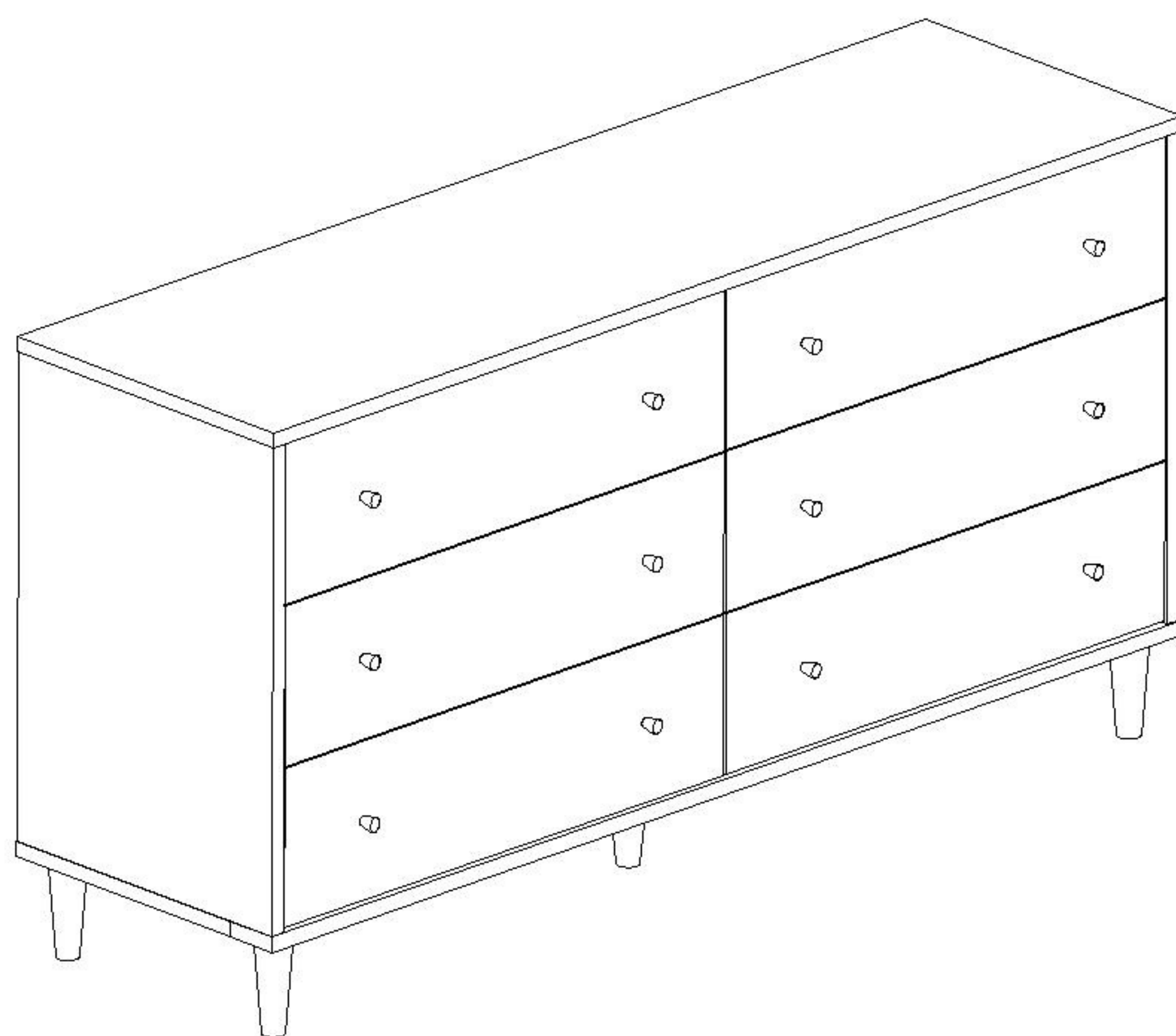


12pcs

**Z** Anti-Tipping Kit



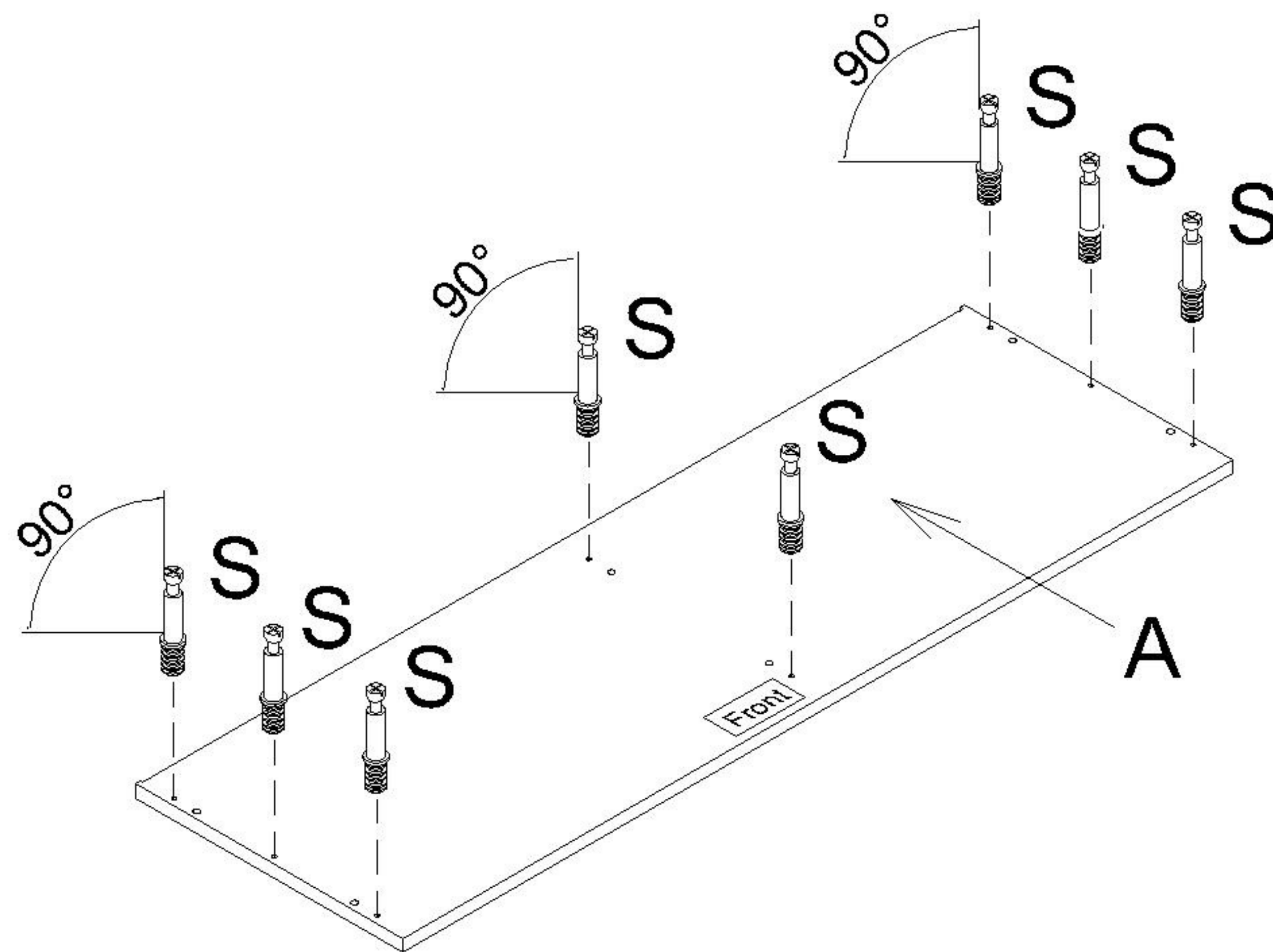
1set



These pages list all the contents included in the box. Please take the time to identify the hardware as well as the individual components to this product. As you unpack and prepare for assembly, place the contents on a carpeted or padded area to protect them from damage.

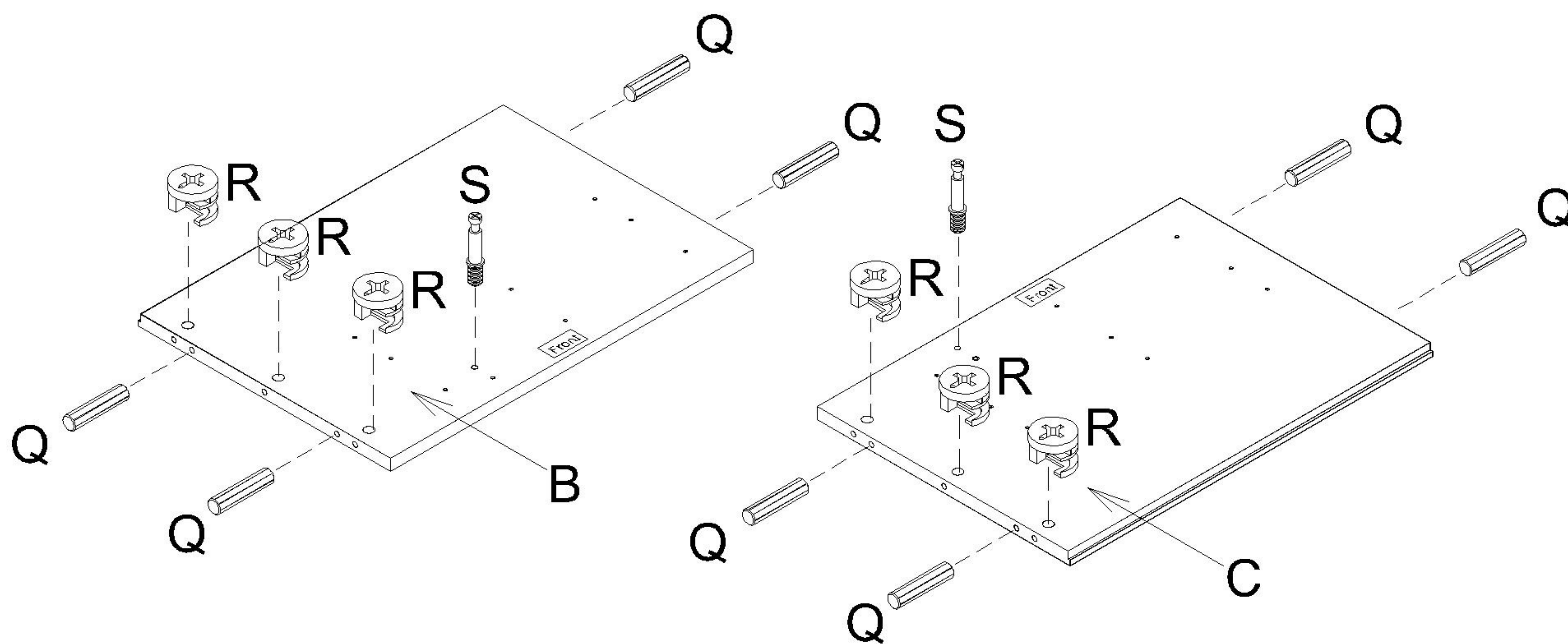


**1** Insert and secure Cam Bolt (S) to Top Panel (A).



**2** Attach Dowel (Q), Cam Lock (R) and Cam Bolt (S) to Left & Right Side Panel (B & C).

NOTE : - Make sure arrows on each Cam Lock (R) points towards nearest edge with holes.

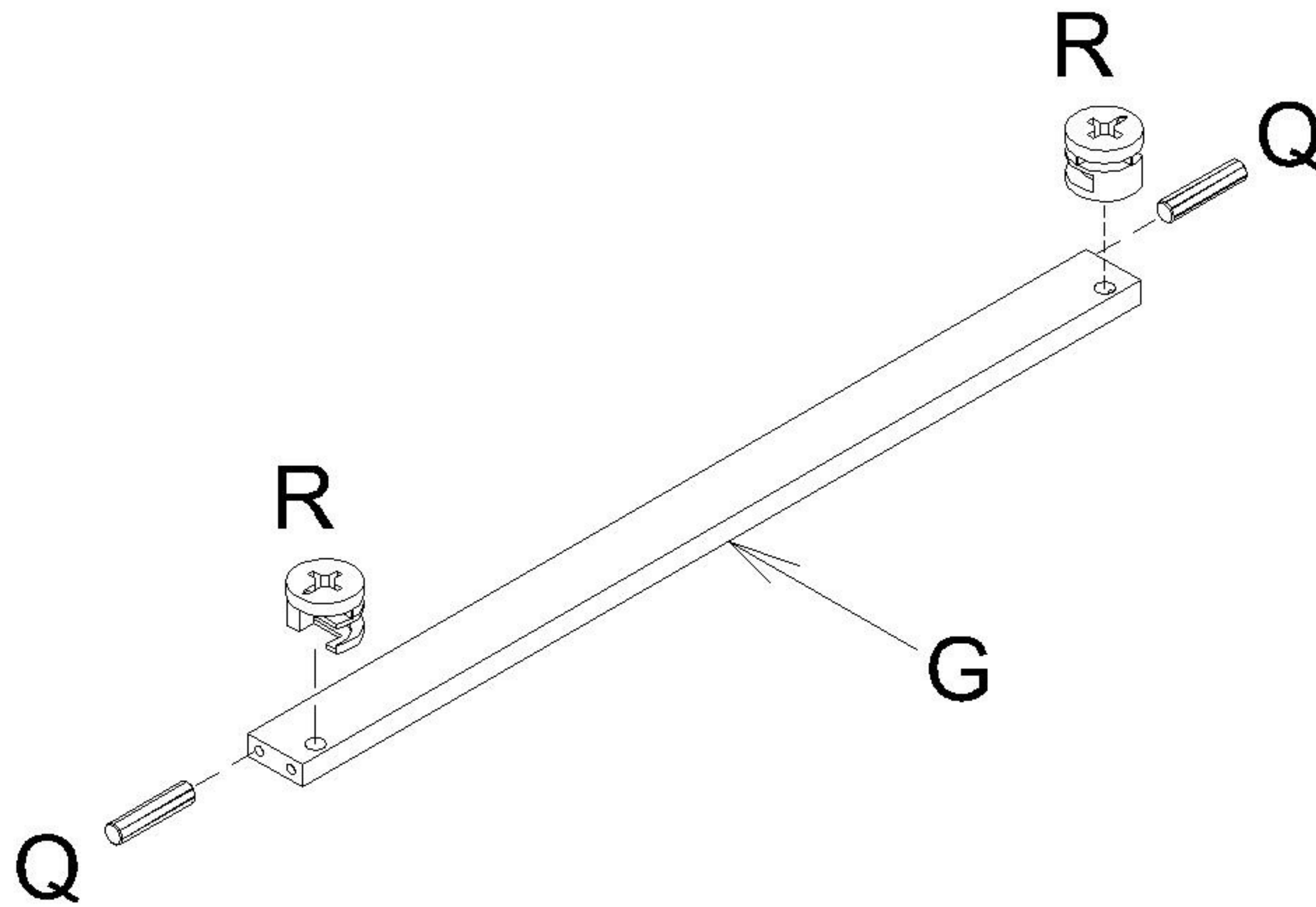




**3**

Attach Dowel (Q) and Cam Lock (R) to both Center Bar (G).

NOTE : - Make sure arrows on each Cam Lock (R) points towards nearest edge with holes.

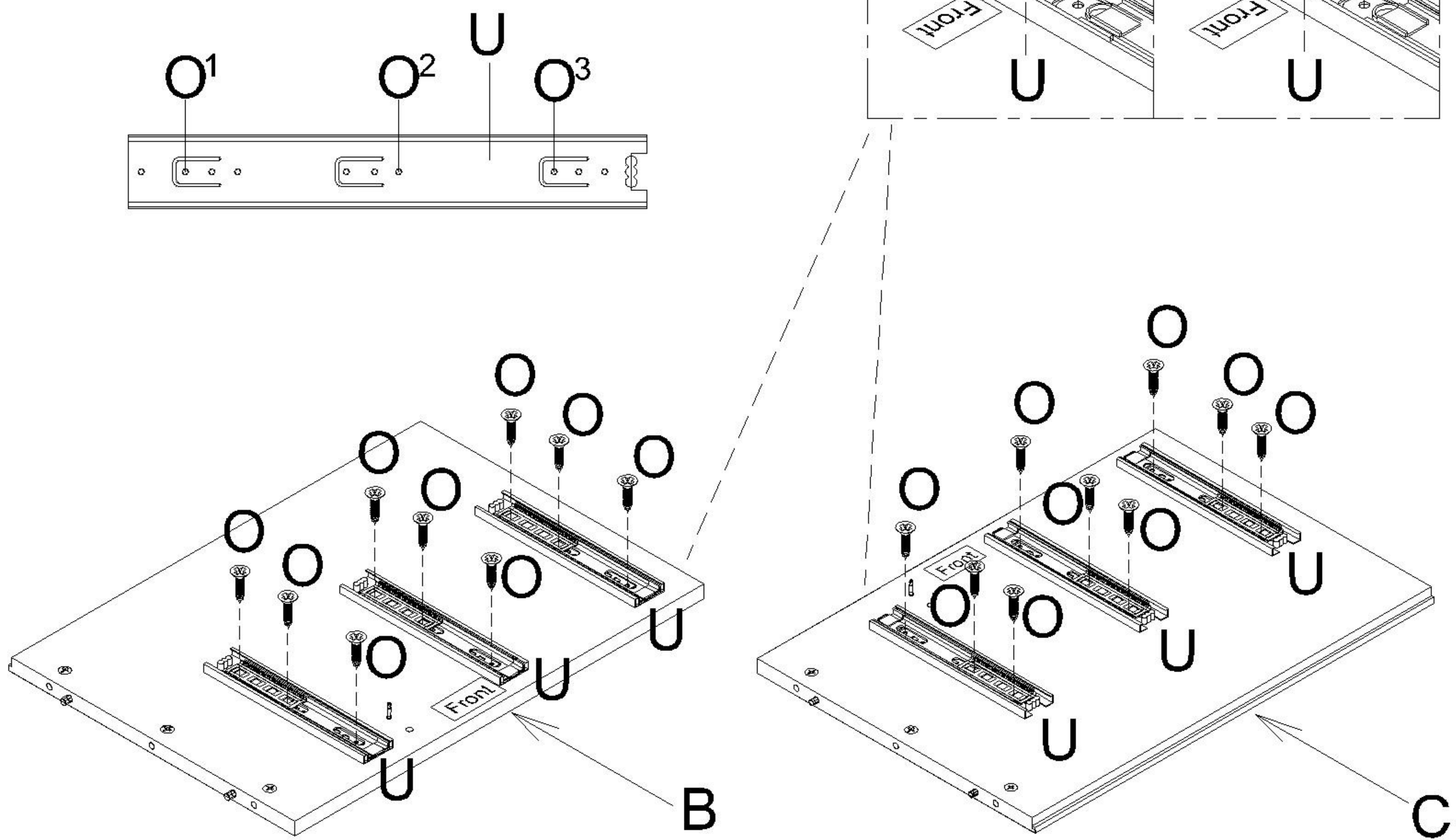
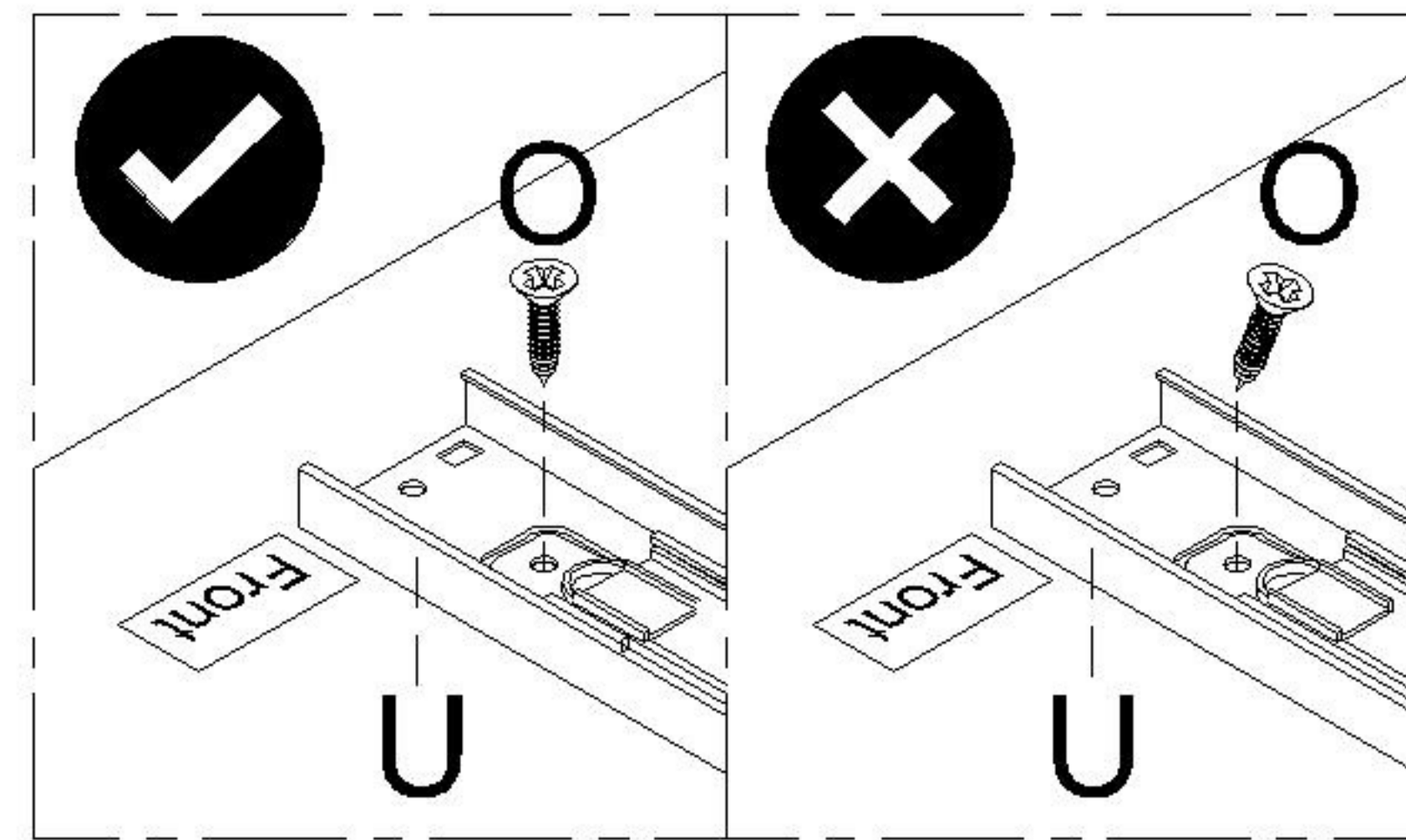
**4**

Attach Runner (U) to Left & Right Side Panel (B & C) and secure with Screw (O).

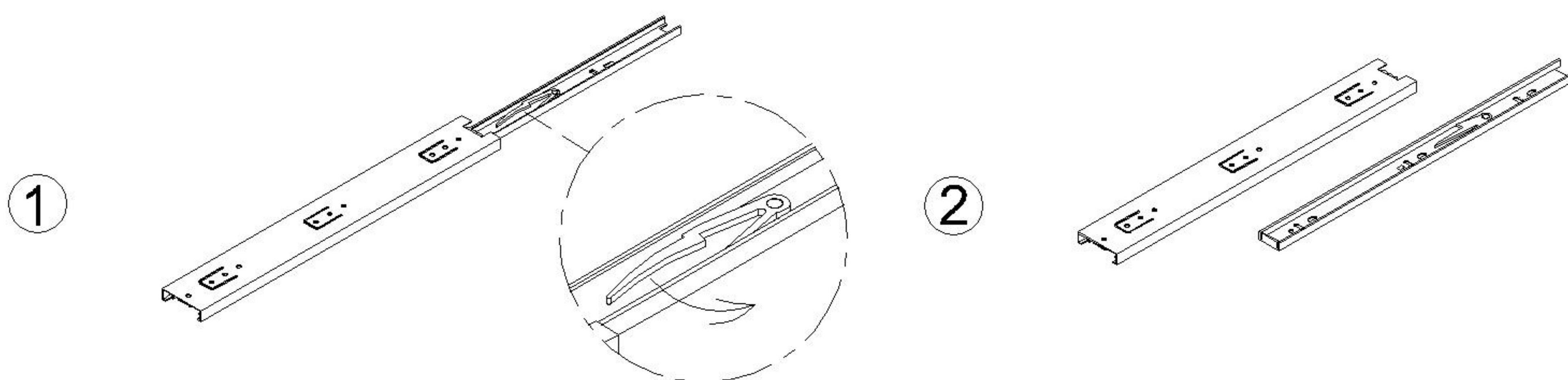
NOTE : - Runner roller should be towards the front of the panel.

- Screw (O) should be assembled from the front of the runner. Start from O<sup>1</sup>, O<sup>2</sup> then O<sup>3</sup>.

- Make sure the screws are installed vertically without slant to ensure screw sits properly in the hole.



EXTENSION RUNNER DISASSEMBLE STEPS:



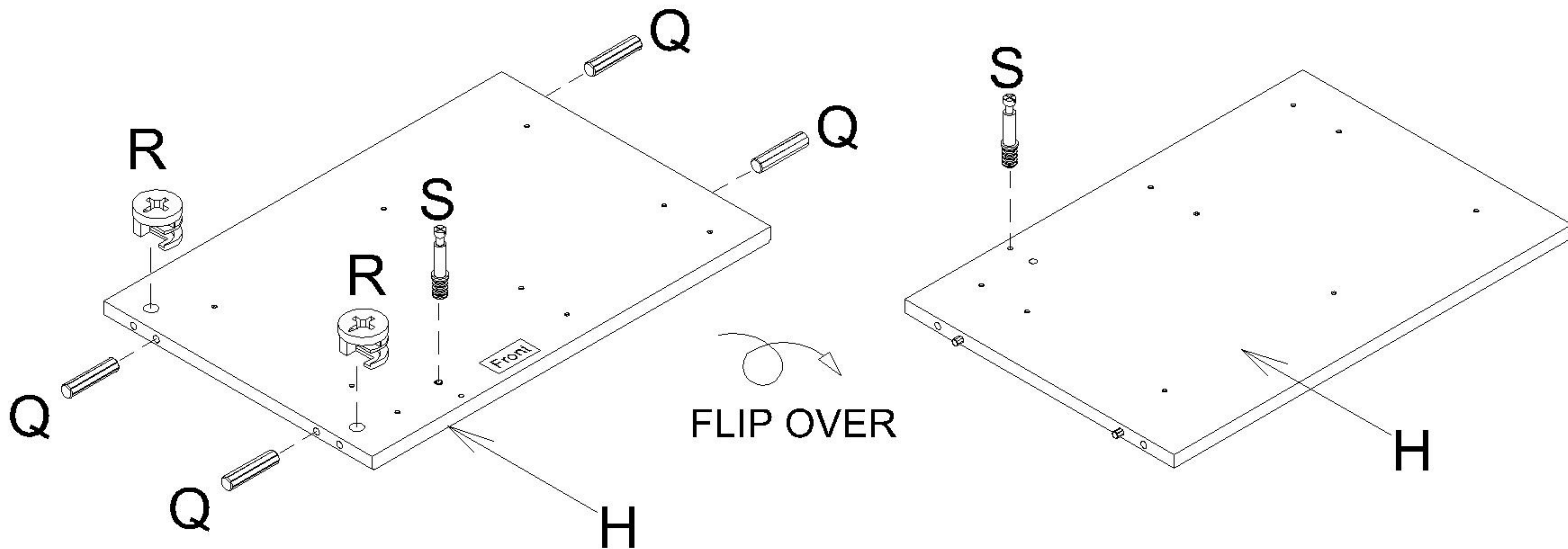
Disassembled the Runner (U) to 2 parts. Fix 1 part on the Left & Right Side Panel (B & C) and fix the other part on the Left & Right Drawer Side (J & M).



**5**

Attach Dowel (Q), Cam Lock (R) and Cam Bolt (S) to Partition (H).

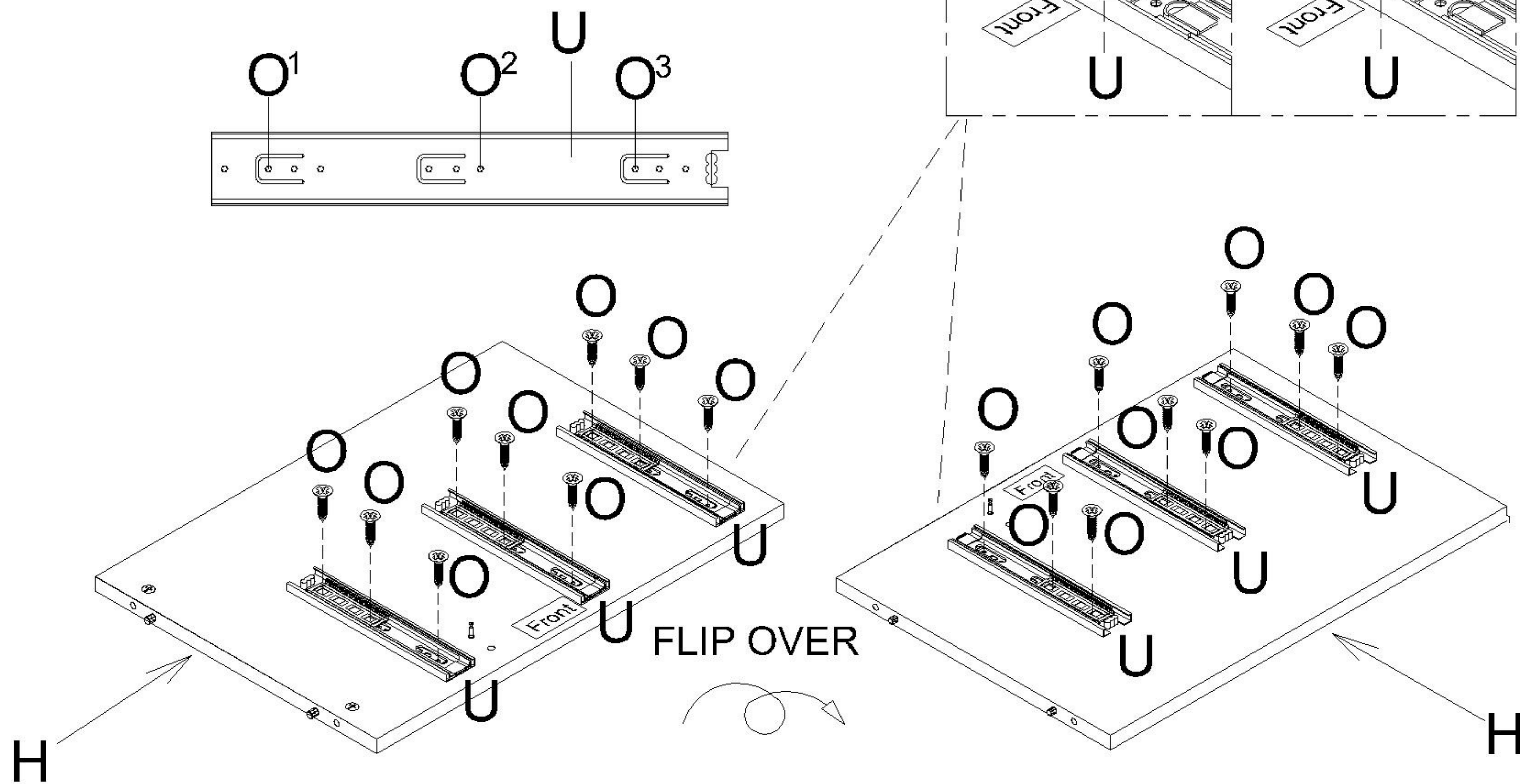
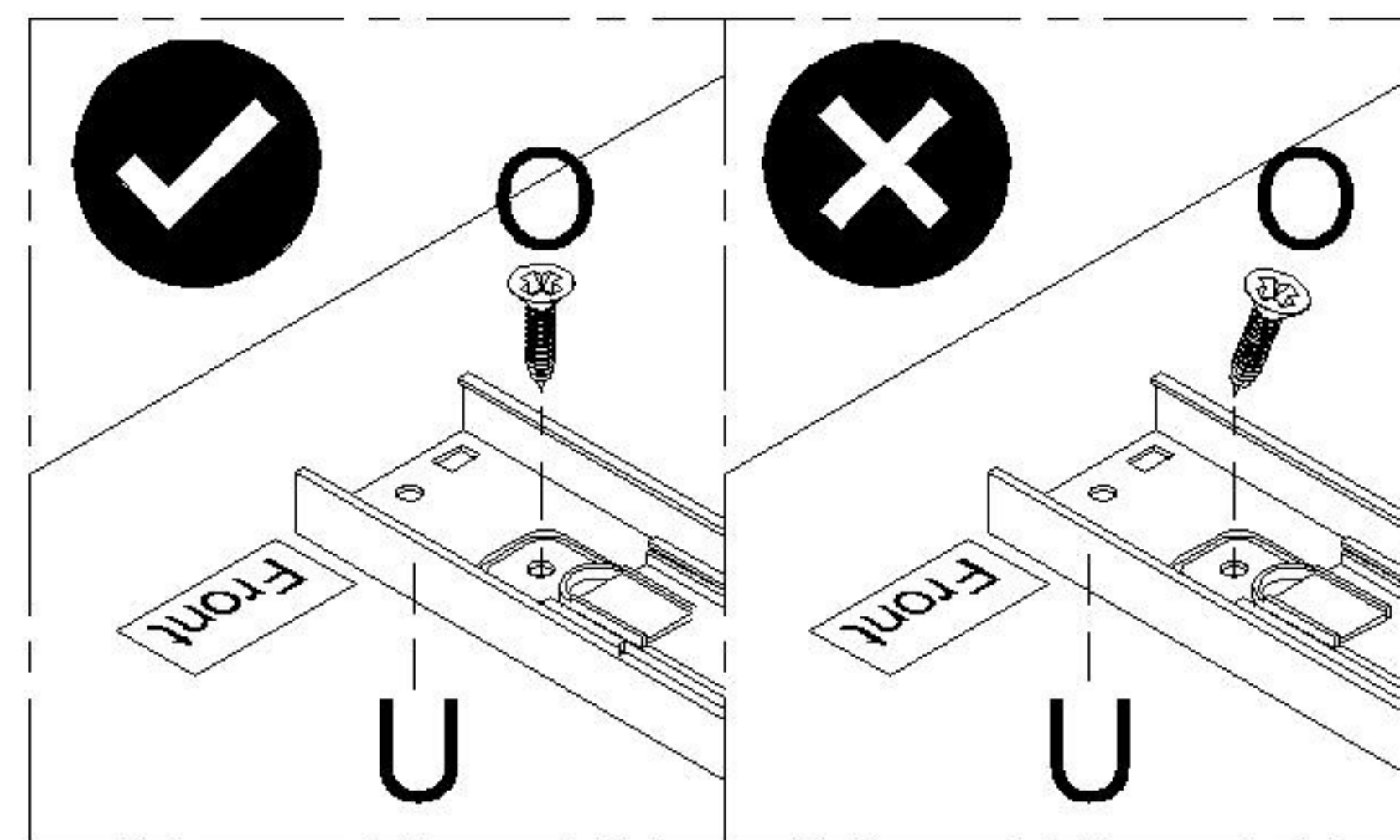
NOTE : - Make sure arrows on each Cam Lock (R) points towards nearest edge with holes.

**6**

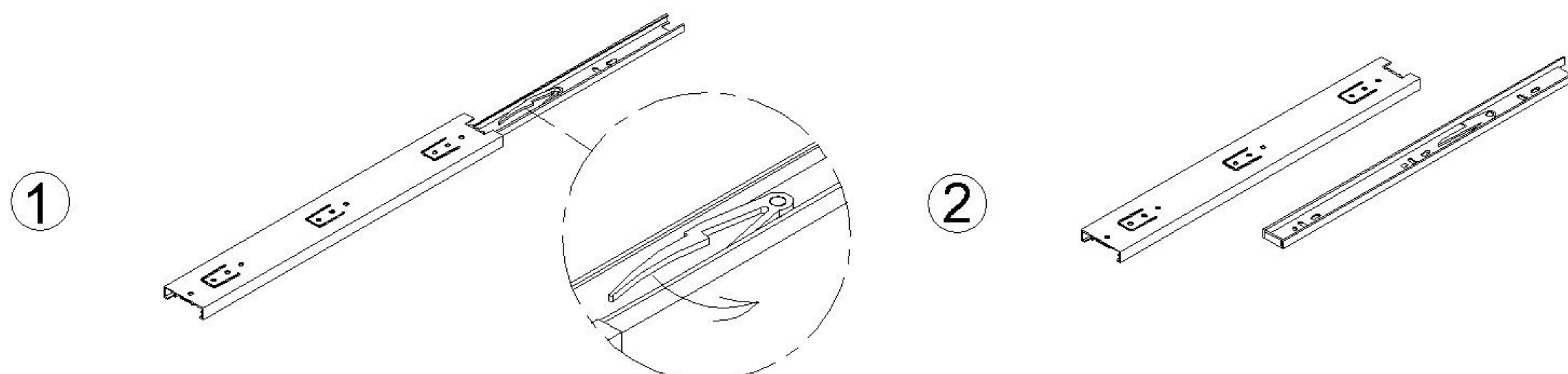
Attach Runner (U) to Partition (H) and secure with Screw (O).

NOTE : - Runner roller should be towards the front of the panel.

- Screw (O) should be assembled from the front of the runner. Start from O<sup>1</sup>, O<sup>2</sup> then O<sup>3</sup>.
- Make sure the screws are installed vertically without slant to ensure screw sits properly in the hole.



EXTENSION RUNNER DISASSEMBLE STEPS:



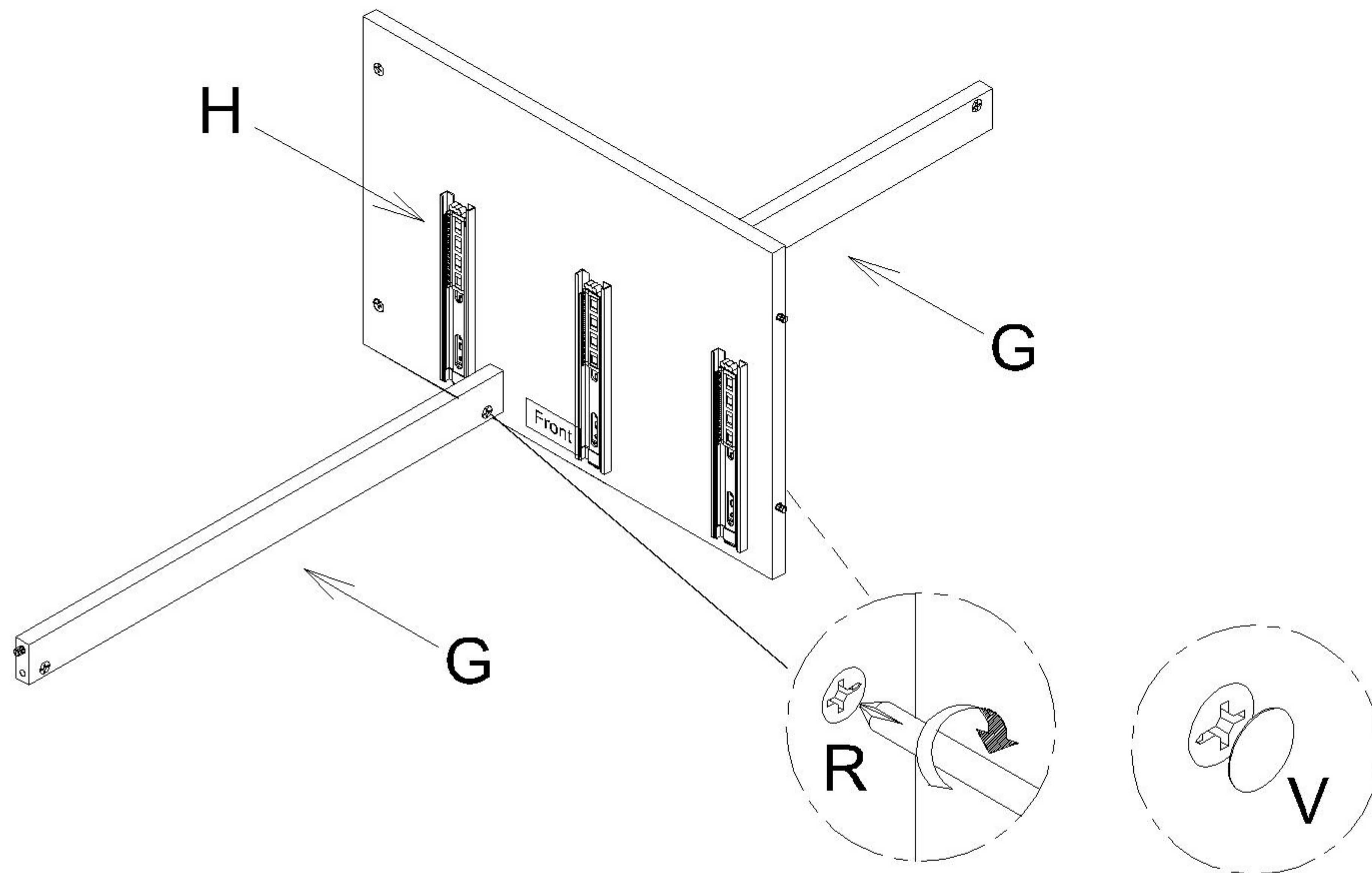
Disassembled the Runner (U) to 2 parts. Fix 1 part on the Partition (H), and fix the other part on the Left & Right Drawer Side (J & M).



**7**

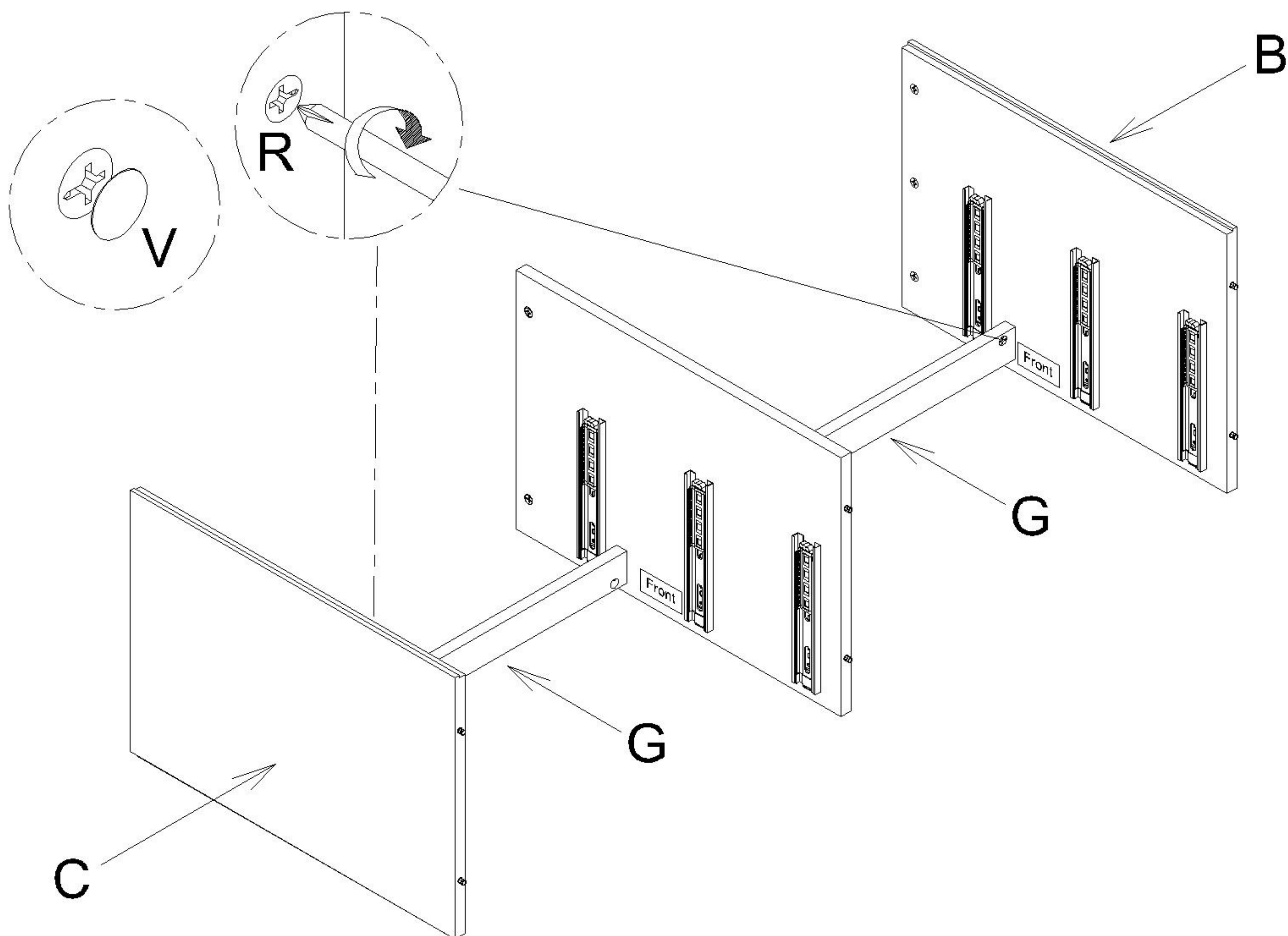
Attach Center Bar (G) to both sides of Partition (H) and secure with the Cam Lock (R) attached in the Step 3. Cover Cam Lock (R) with Cam Lock Cover (V).

NOTE : - Do not over tighten the Cam Lock (R).

**8**

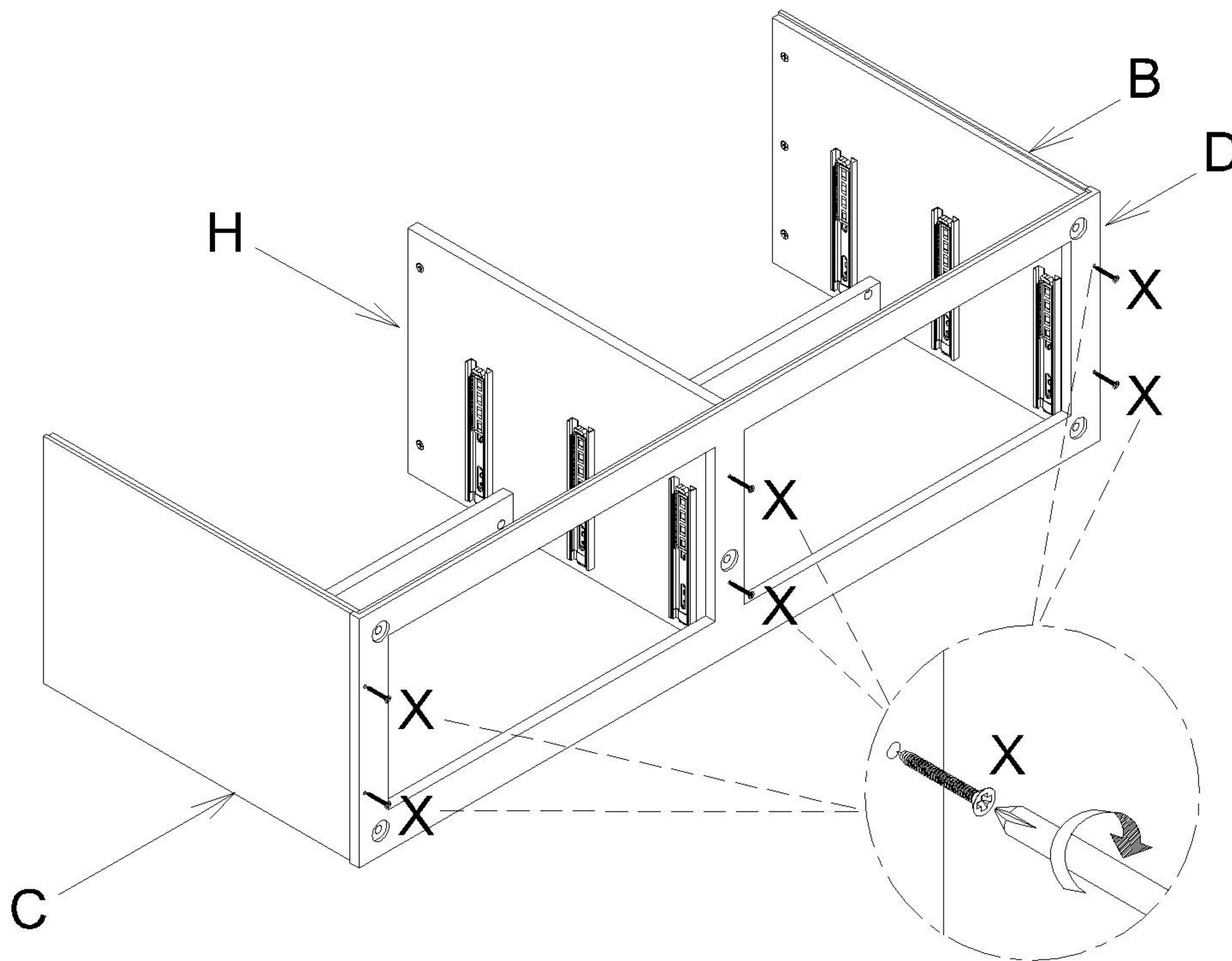
Attach Left & Right Side Panel (B & C) to Center Bar (G) and secure with the Cam Lock (R) attached in the Step 3. Cover Cam Lock (R) with Cam Lock Cover (V).

NOTE : - Do not over tighten the Cam Lock (R).

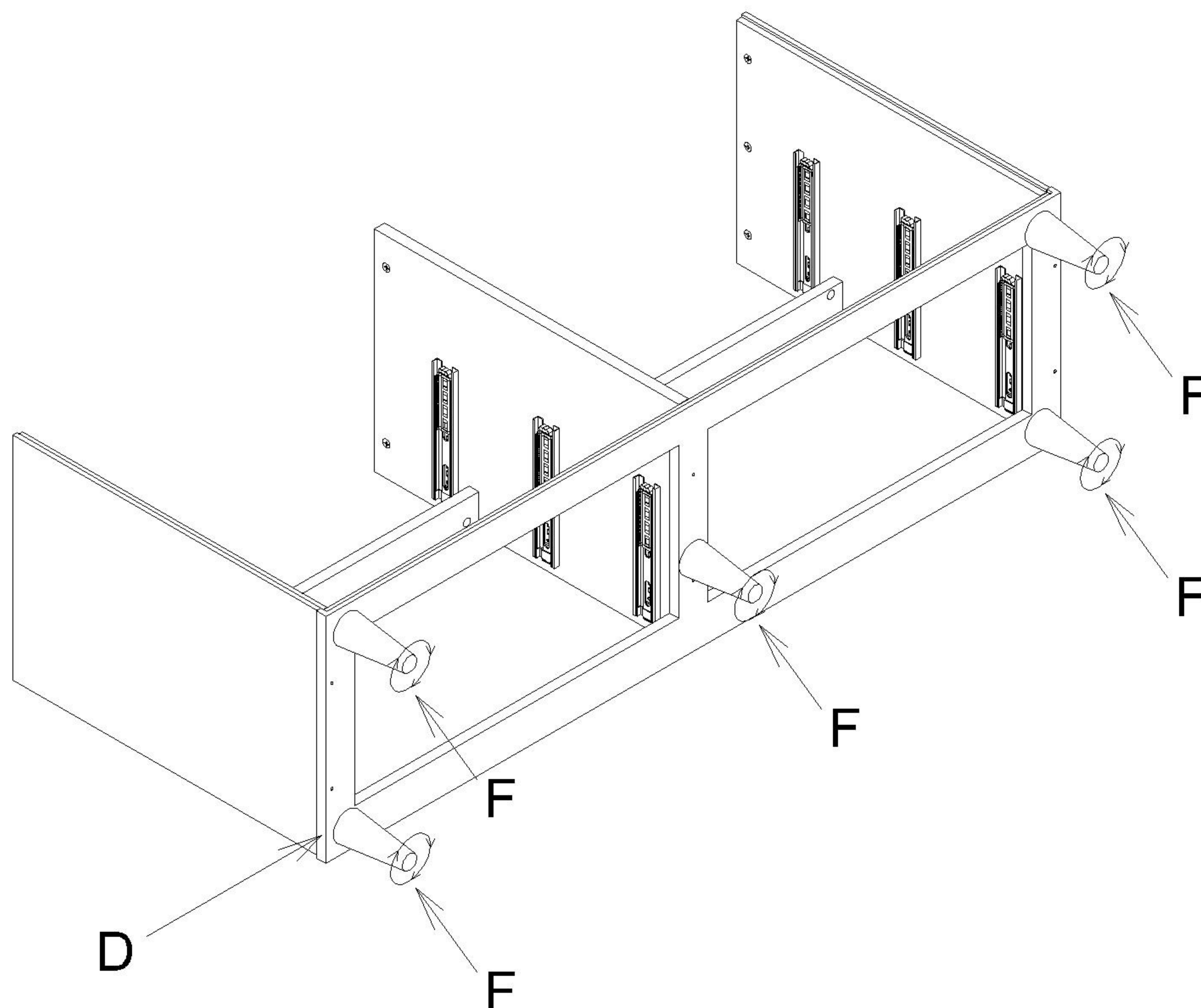


**9** Attach Bottom Frame (D) to Left & Right Side Panel (B & C) and Partition (H) and secure with Screw (X).

NOTE : - Do not over tighten the Screw (X).

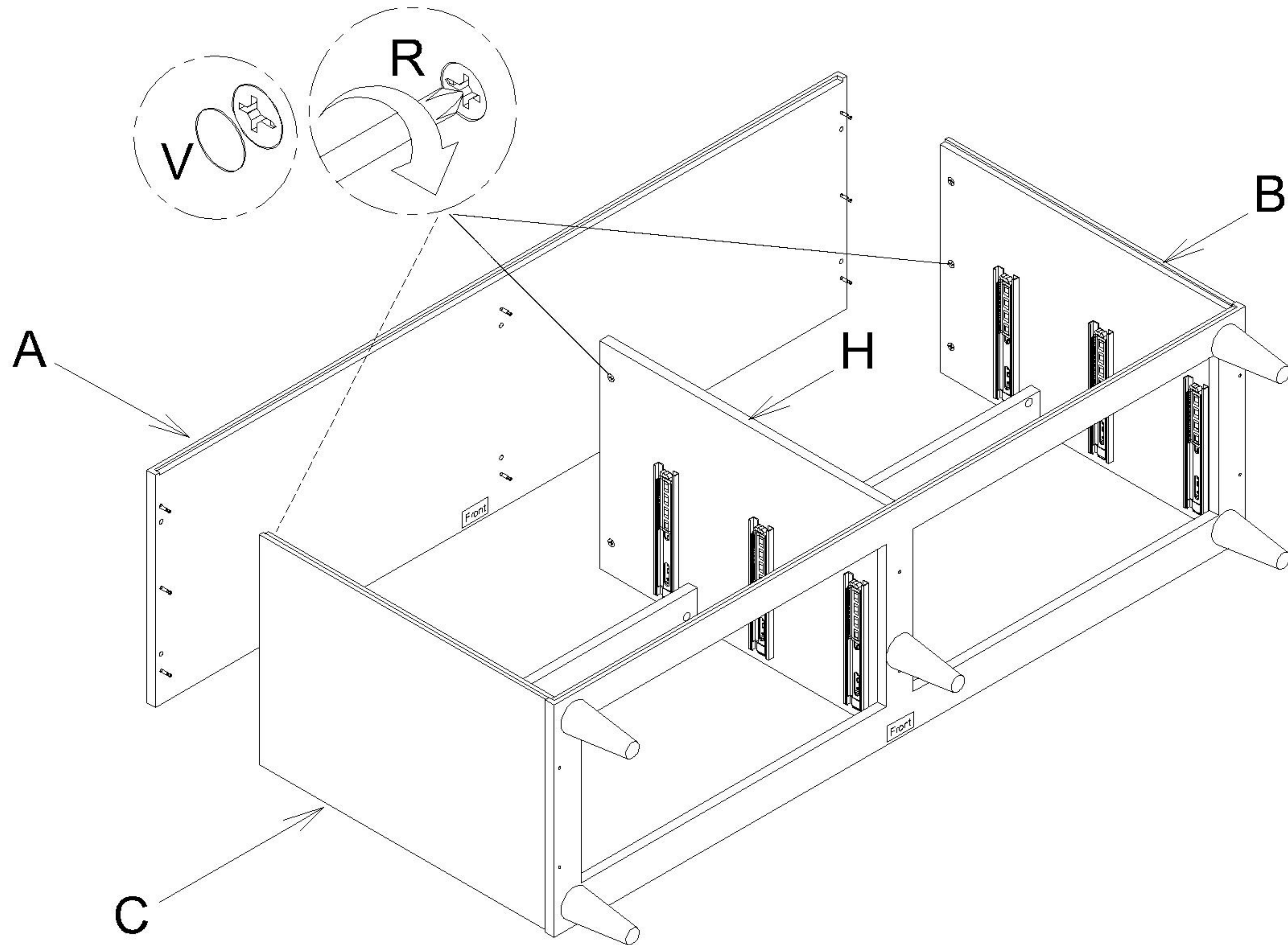


**10** Attach Post (F) to Bottom Frame (D) and turn clockwise to secure.

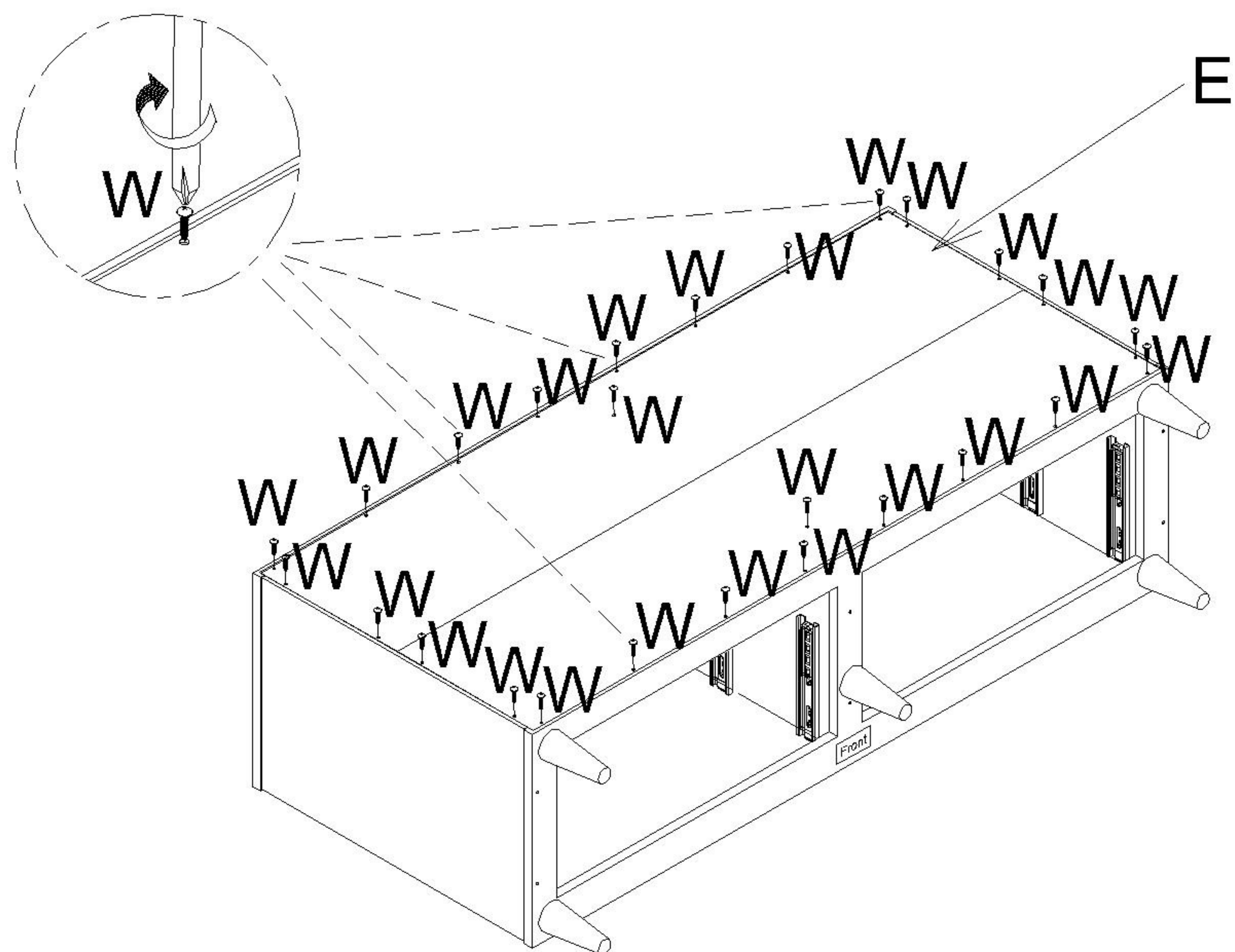




**11** Attach Top Panel (A) to Left & Right Side Panel (B & C) and Partition (H) and secure with the Cam Lock (R) attached in the Step 2. Cover Cam Lock (R) with Cam Lock Cover (V).

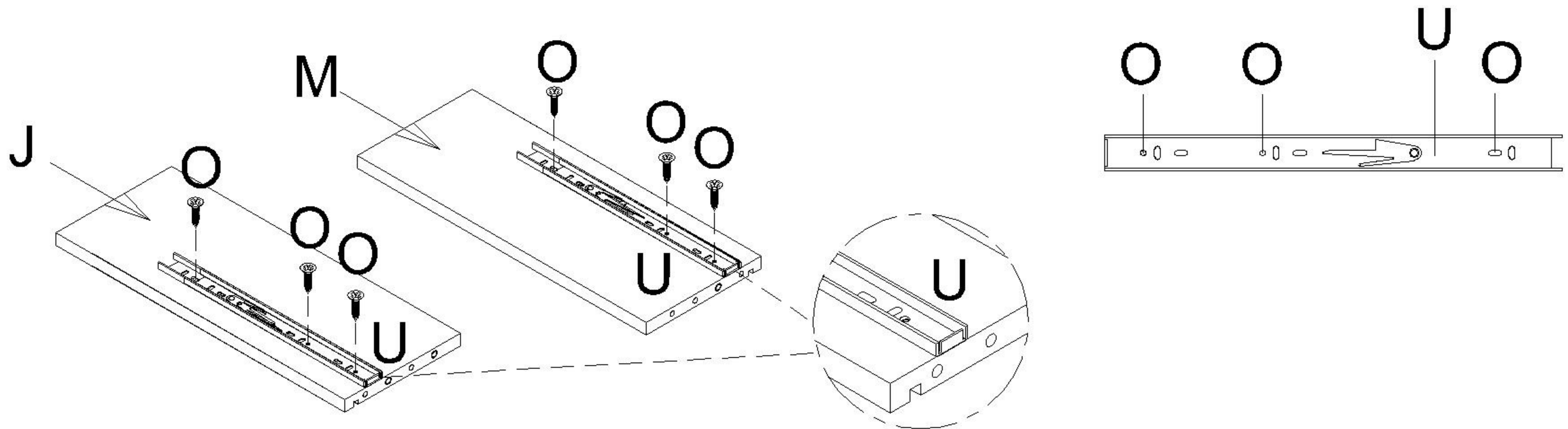


**12** Attach Back Plywood (E) to assembled unit and secure with Panhead Screw (W).

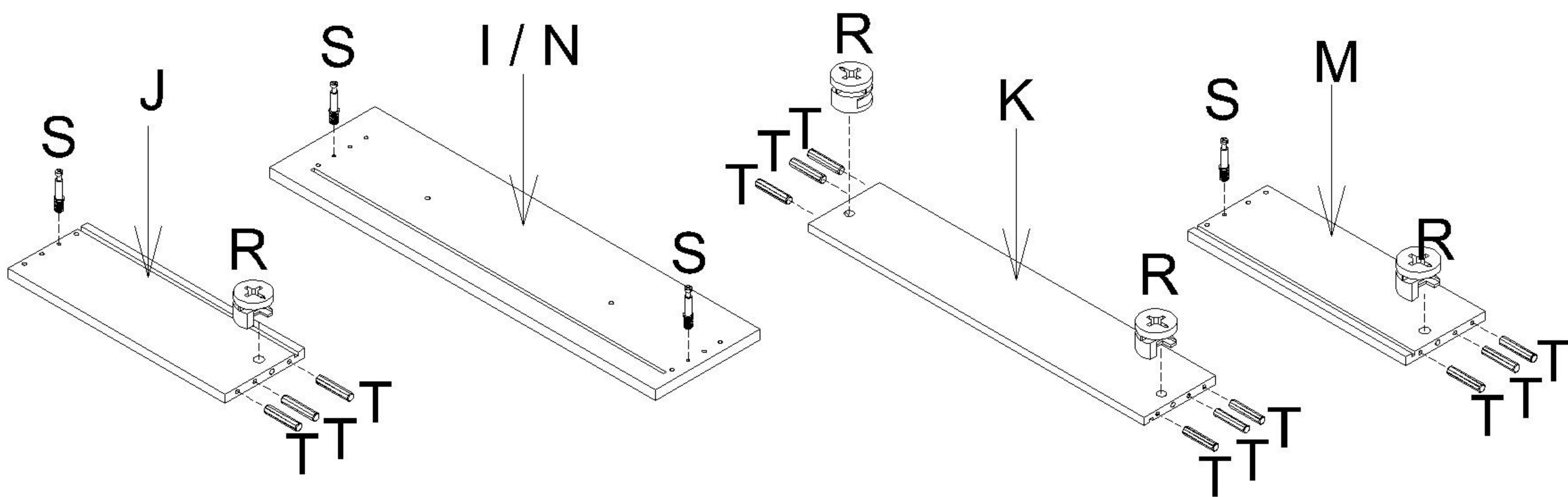




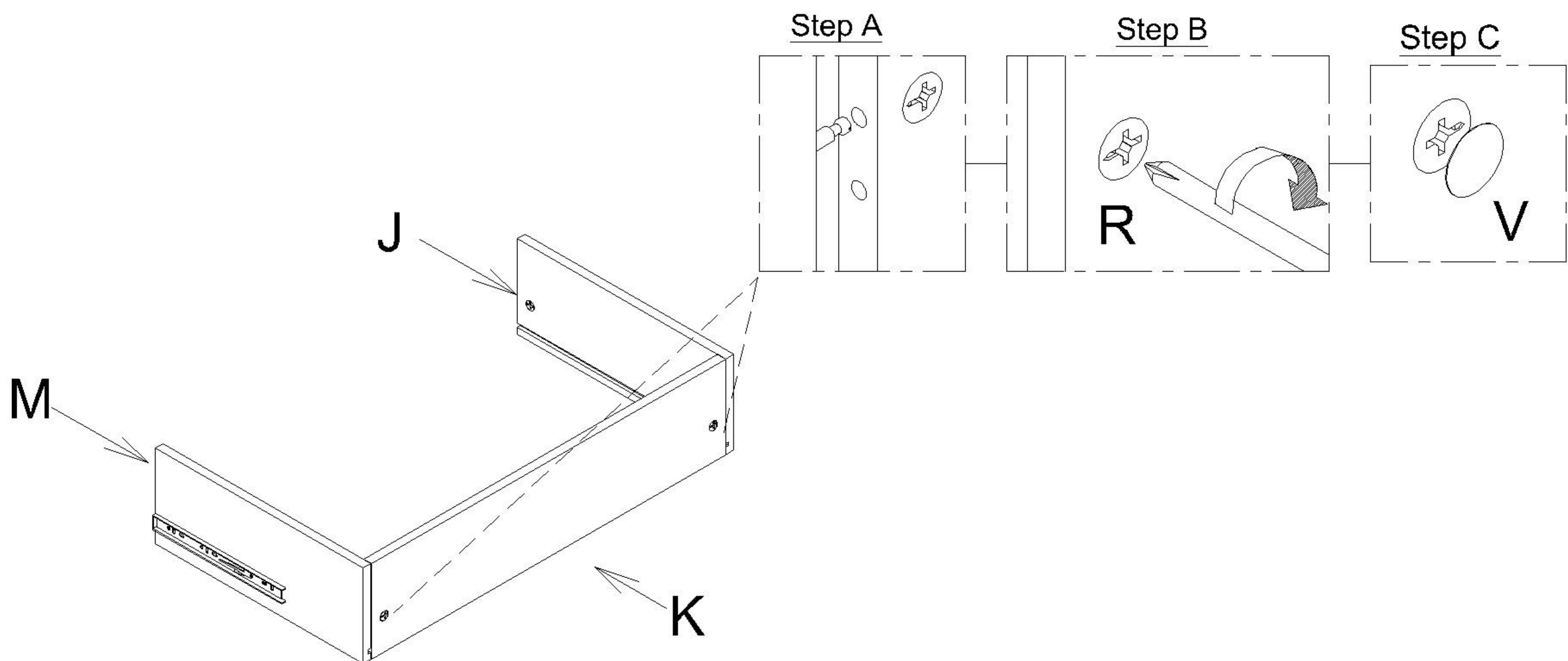
**13** Attach Runner (U) to Left & Right Big Drawer Side (J & M) and secure with Screw (O).



**14** Attach Dowel (T) and Cam Lock (R) to Left & Right Drawer Side (J & M) & Drawer Back (K). Attach Cam Bolt (S) to Left & Right Drawer Side (J & M) and Left & Right Drawer Front (I & N).

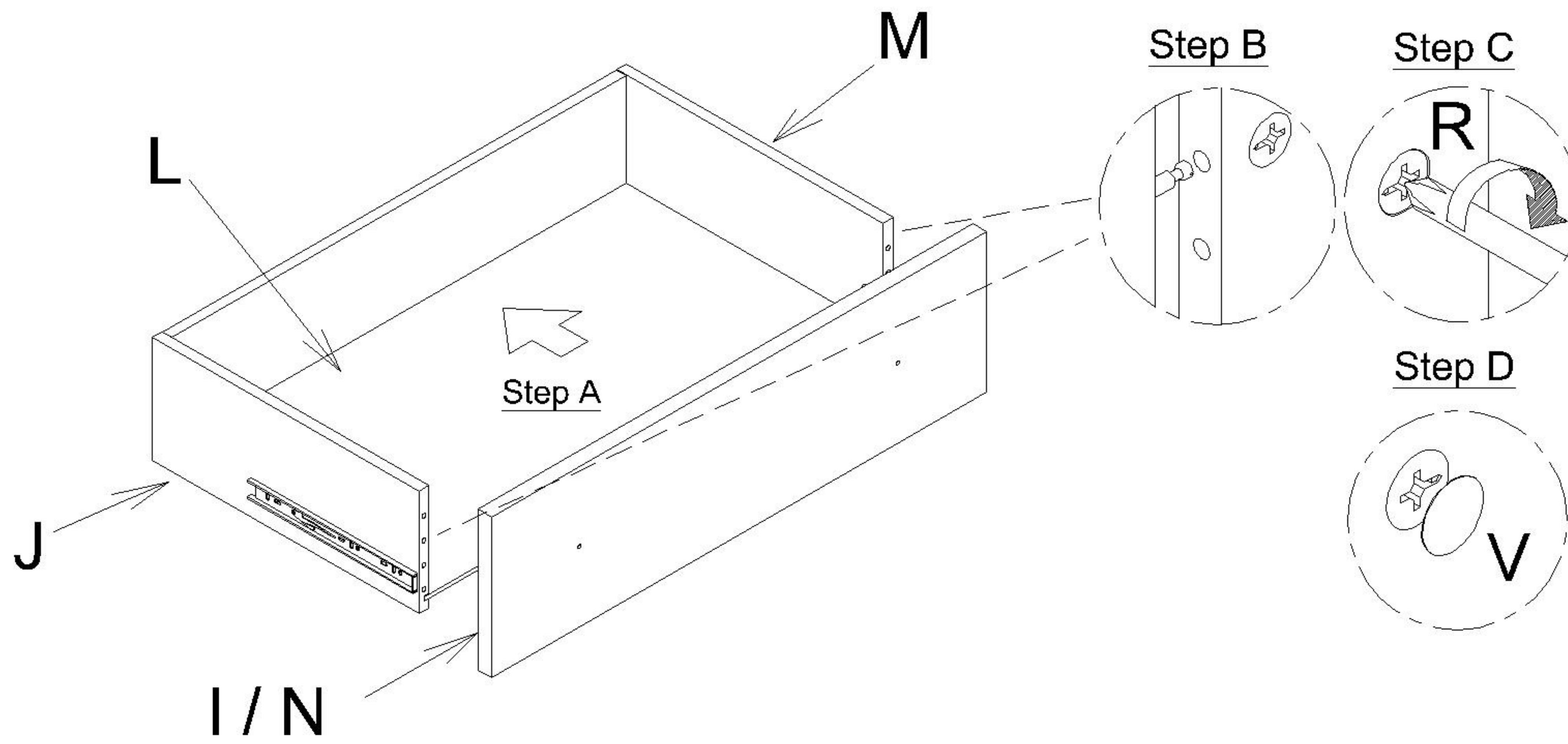


**15** Attach Left & Right Drawer Side (J & M) to Drawer Back (K) and secure with Cam Lock (R) attached in the Step 14. Cover Cam Lock (R) with Cam Lock Cover (V).

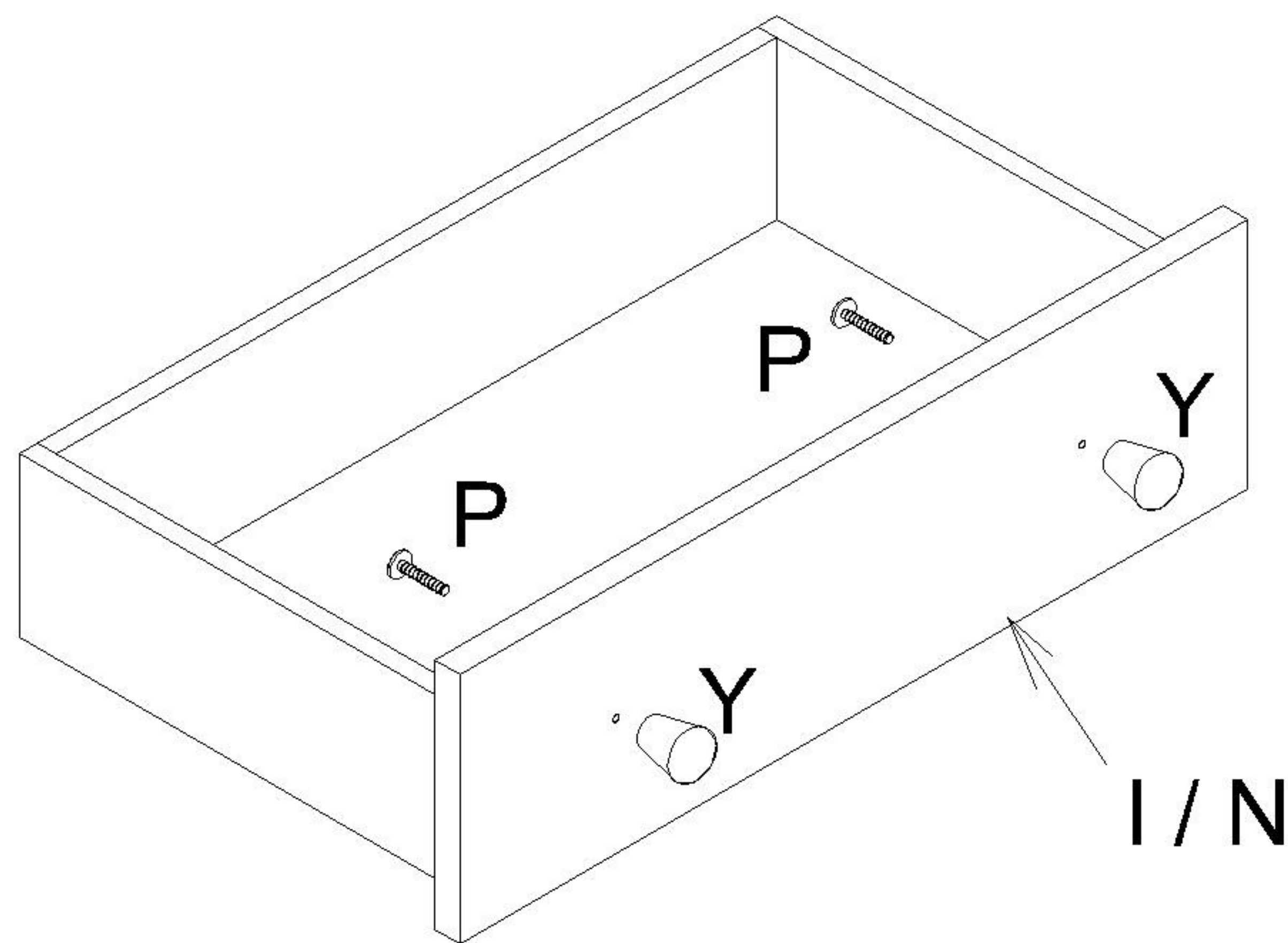




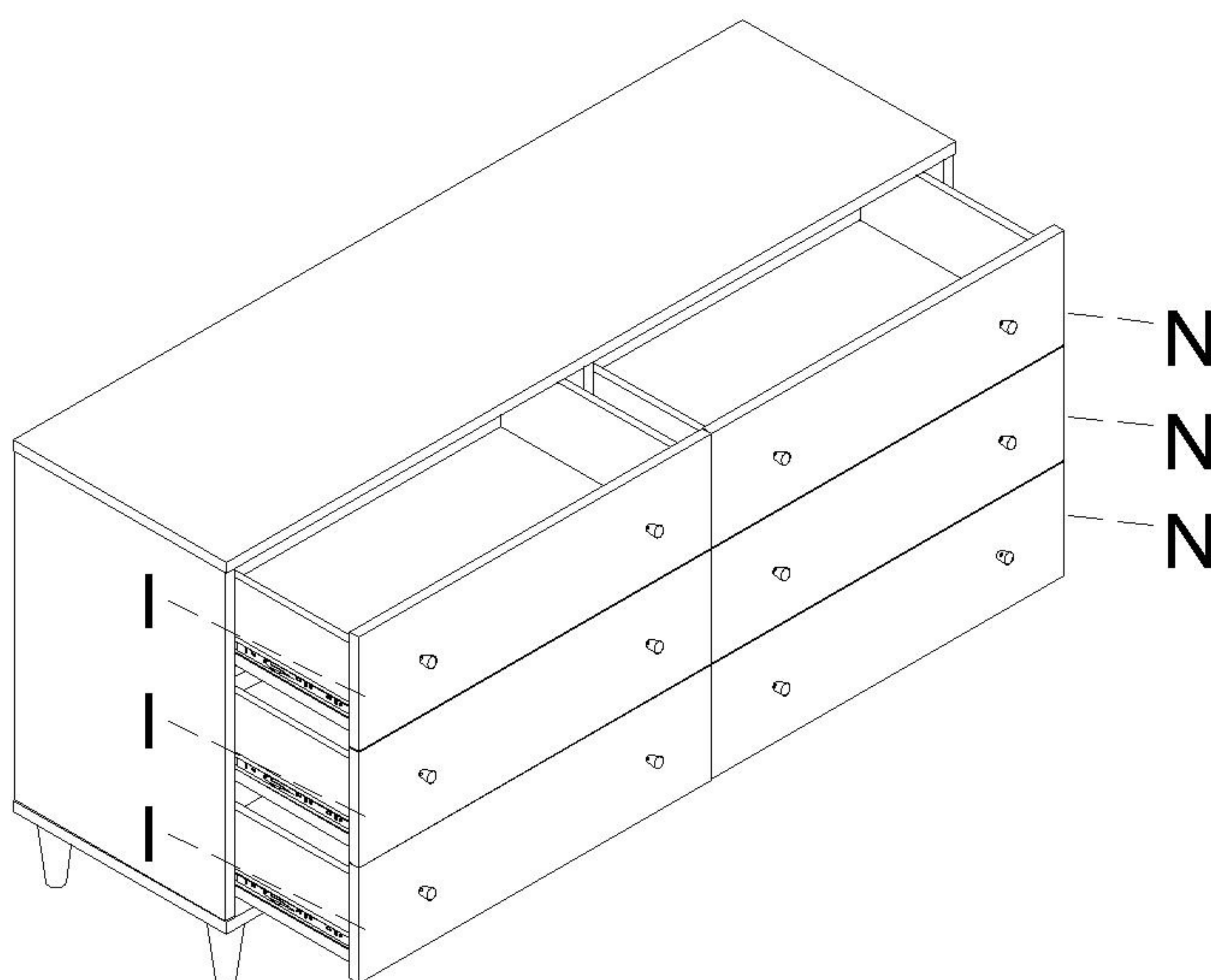
**16** Slot in Drawer Base (L) in corresponding grooves. Attach Left & Right Drawer Front (I & N) to Drawer Box and secure with Cam Lock (R) attached in the Step 14. Cover Cam Lock (R) with Cam Lock Cover (V).



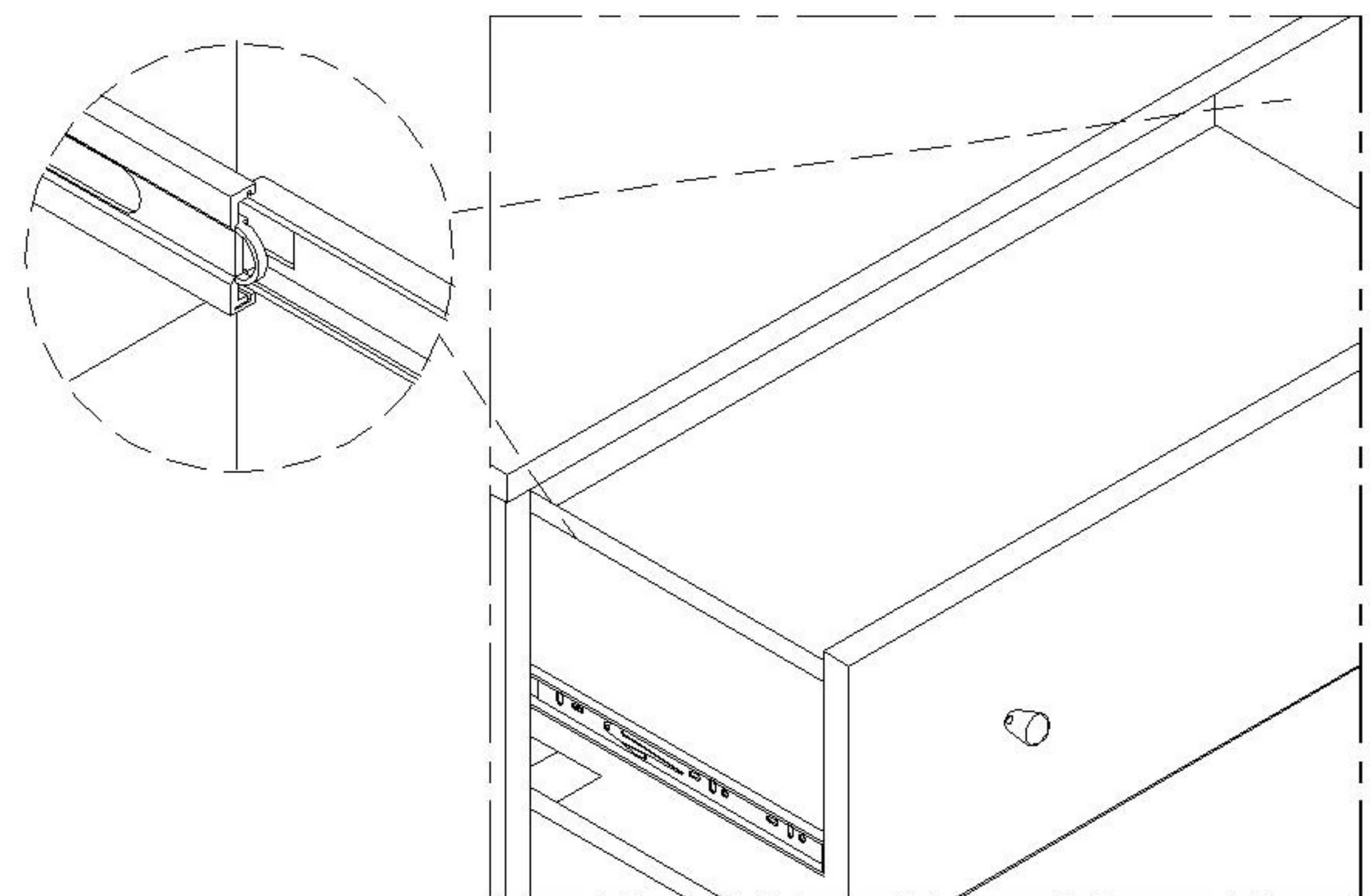
**17** Attach Handle (Y) to Left & Right Drawer Front (I & N) and secure with Screw (P).



**18** Stand the assembled unit up. Slot Drawers into assembled unit.



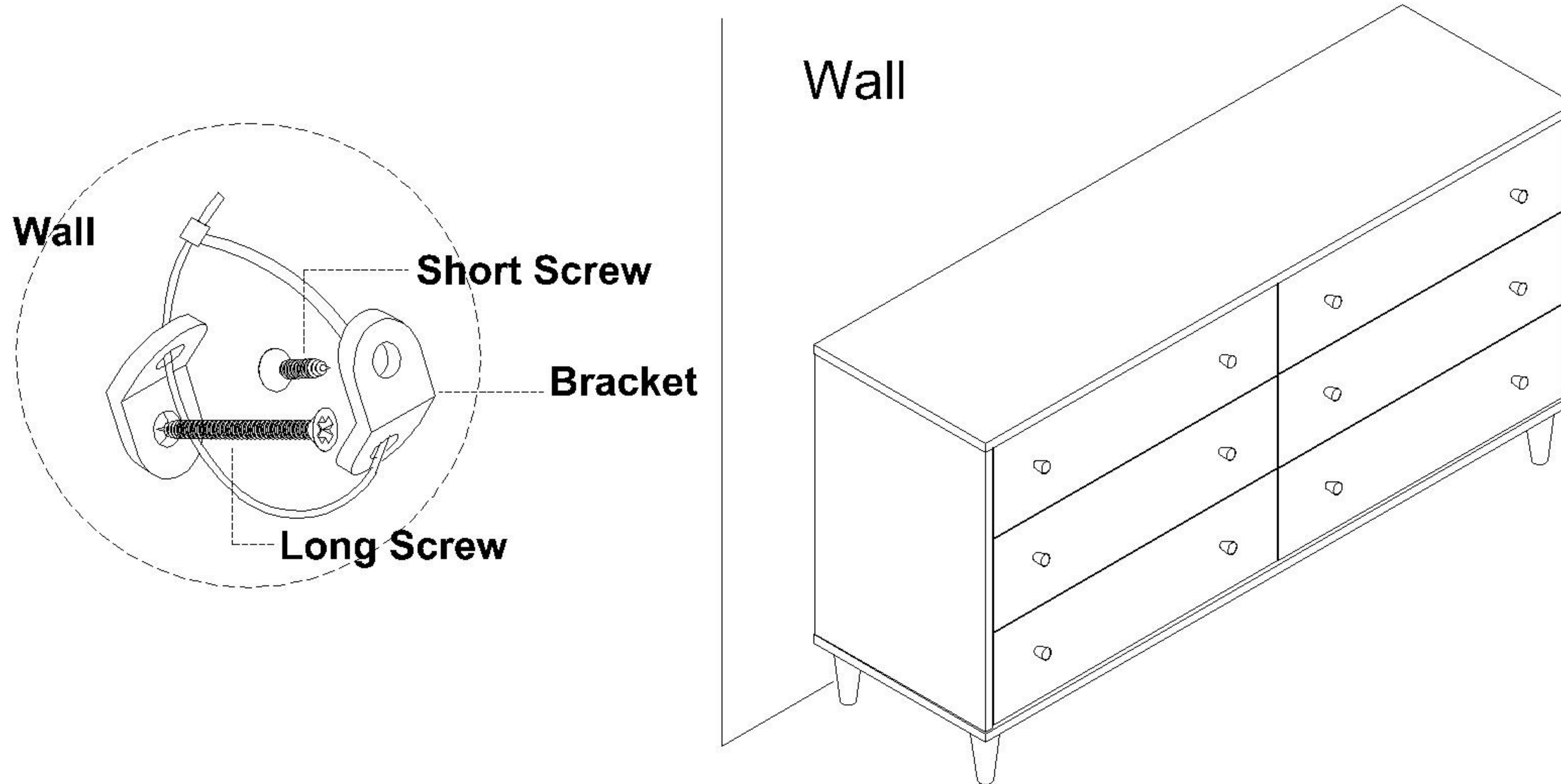
EXTENSION RUNNER ASSEMBLE STEPS:



NOTE : Align and pull/push the triggers on both sides of drawer box into the metal track on interior side of side panel.



- 
- 19** Attach Anti-Tipping Kit (Z) to wall. Attach Bracket (vertically) to wall using the Long Screw provided. Attach Bracket (vertically) to furniture back (directly below top) with Short Screw. Place Bracket as close to center of furniture back as possible in relation to wall stud and the desired position in the room. Move furniture to its final position. Thread the strap through Bracket, and pull it tight.



---

### Cleaning & Care

Treat surface with care. Surface is resistant to scratches but is not scratch resistant. Clean surfaces with a dry or damp soft cloth. Do not use abrasive cleaners. Hardware may loosen over time. Periodically check that all connections are tight.