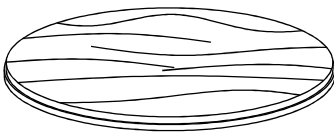
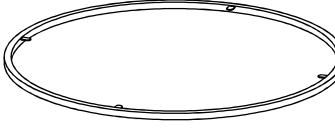
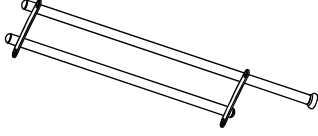

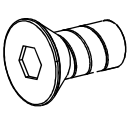
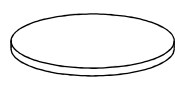
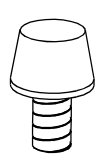
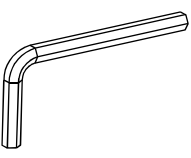
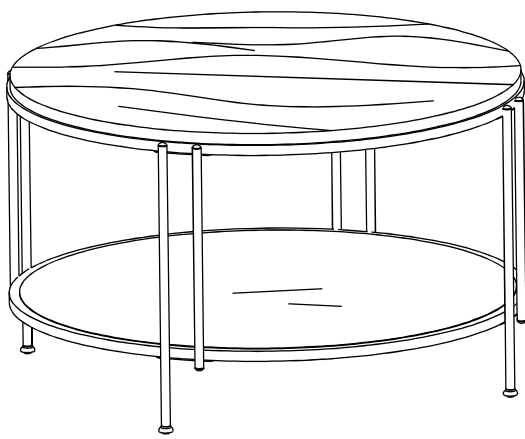


# ASSEMBLY INSTRUCTION

## E816-30 COCKTAIL TABLE

<b>A</b> Wood Top  1pc	<b>B</b> Shelf Frame  1pc	<b>C</b> Leg  4pcs
<b>D</b> Mirror Shelf  1pc	<b>E</b> Bolt 1/4" x 1/2"  16pcs	<b>F</b> Pad 10mm  4pcs
<b>G</b> Leveler 19mm  4pcs	<b>H</b> Allen Wrench 1/4"  1pc	

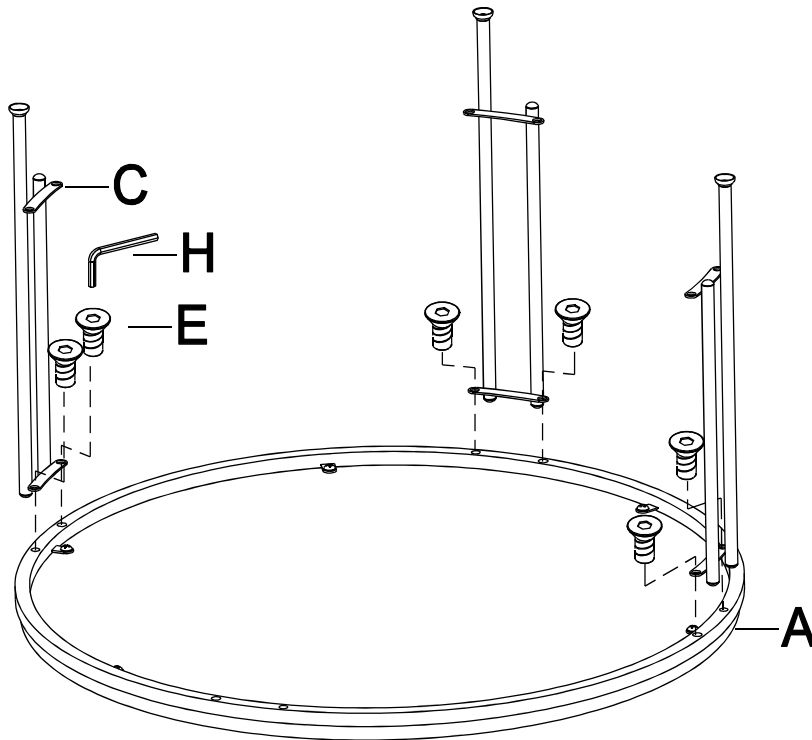


This page lists all the contents included in the box. Please take the time to identify the hardware as well as the individual components to this product. As you unpack and prepare for assembly, place the contents on a carpeted or padded area to protect them from damage.

**\*\*\* Do not tighten screws & bolts until the entire unit is completely assembled.**

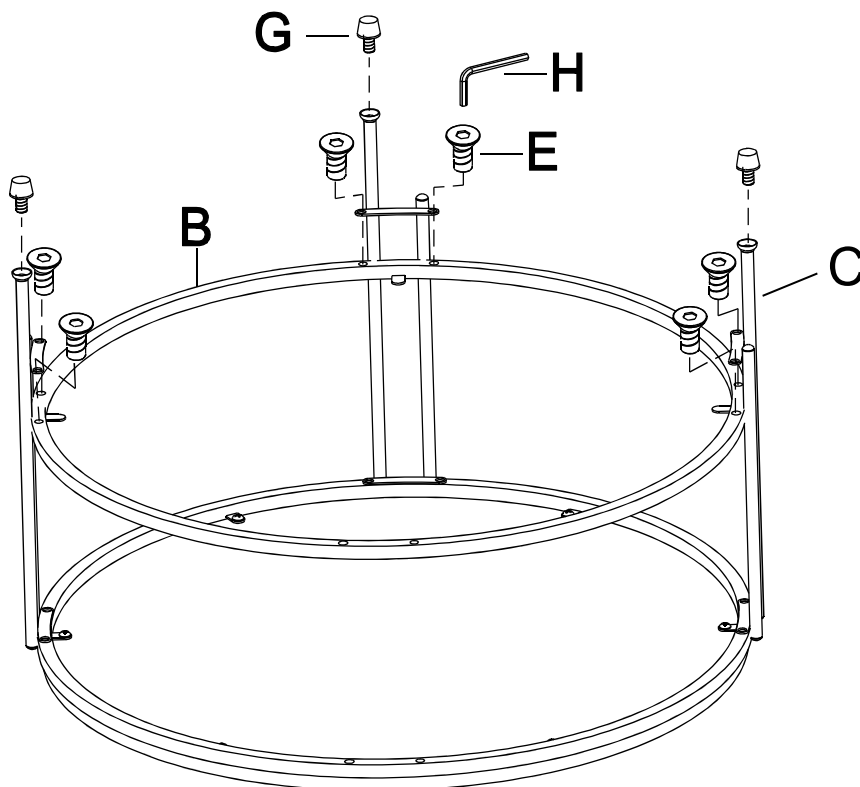
**1**

Attach three Legs (C) to Wood Top (A) by Bolt (E) and Allen Wrench (H) as shown.



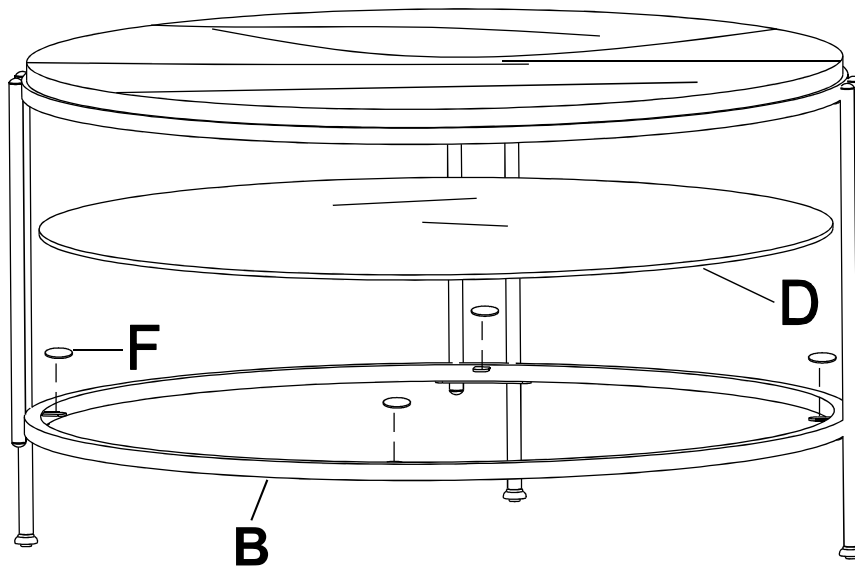
**2**

Attach Shelf Frame (B) to Leg (C) by Bolt (E) and Allen Wrench (H). Then attach Leveler (G) to the bottom of Leg (C) as shown.

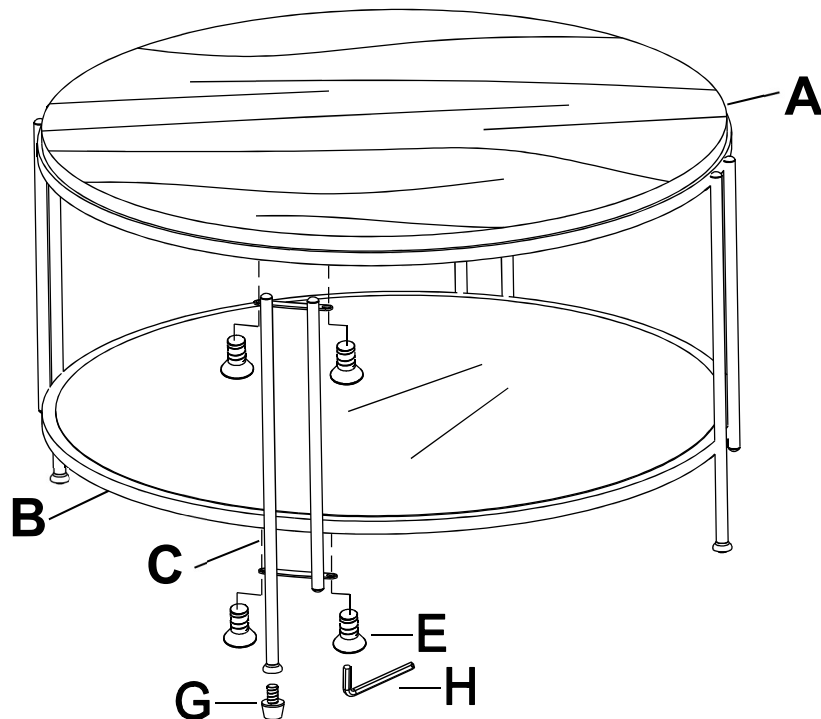


**3**

Attach Pad (F) to Shelf Frame (B), then put the Mirror Shelf (D) on Shelf Frame (B) as shown.

**4**

Attach the last Leg (C) to Wood Top (A) and Shelf Frame (B) by Bolt (E) and Allen Wrench (H), then attach Leveler (G) to the bottom of Leg (C) as shown.



### Cleaning & Care

Treat surface with care. Surface is resistant to scratches but is not scratch resistant. Clean surfaces with a dry or damp soft cloth. Do not use abrasive cleaners. Hardware may loosen over time. Periodically check that all connections are tight.