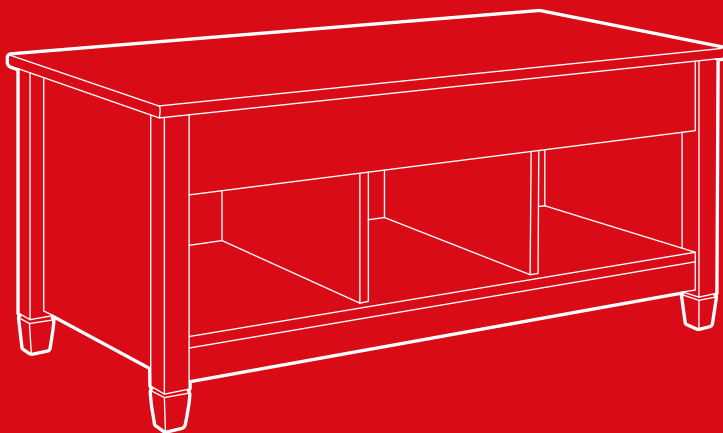




bestchoiceproducts



# INSTRUCTION MANUAL

---

Modern Coffee Table with Lift-Top

## ! NOTICE

The following safety hazards may result in serious injury or death:

- Firmly secure all bolts, screws and knobs before use.
- Reconfirm that all bolts, screws, and knobs are secure every 90 days.
- Do not use or store this item in the proximity of open flame or flammable/combustible chemicals.
- Always lay components on a clean, soft-cushioned surface during assembly.
- Improper installation may cause damage to the product.
- Product is intended for indoor use only.
- If any parts are missing, broken, damaged, or worn, stop using this item until repairs are made and/or factory replacement parts are installed.
- Do not use this item in a way inconsistent with the manufacturer's instructions as this could void the product warranty.
- To wipe down the furniture, use a damp cloth. Then, wipe it down once more with a dry cloth.
- Be aware that extra hardware may be included.



100 LBS  
CAPACITY



1 PERSON  
ASSEMBLY



UP TO 45 MIN.  
ASSEMBLY

## TOOLS REQUIRED



FLAT HEAD  
SCREWDRIVER



PHILLIPS  
SCREWDRIVER



HAMMER

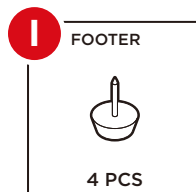
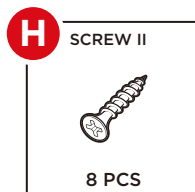
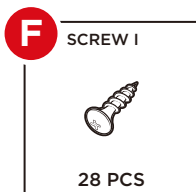
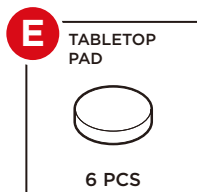
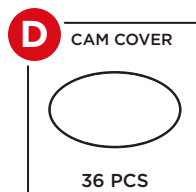
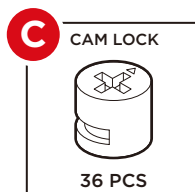
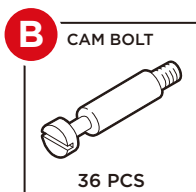
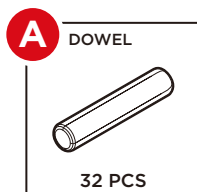


ELECTRIC DRILL  
WITH PHILLIPS BIT

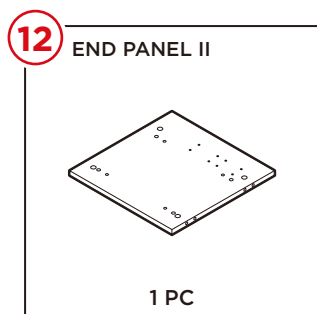
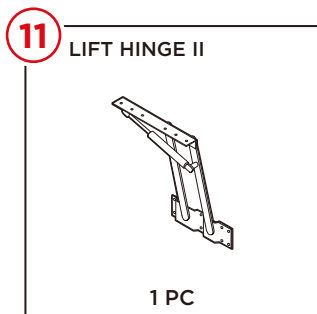
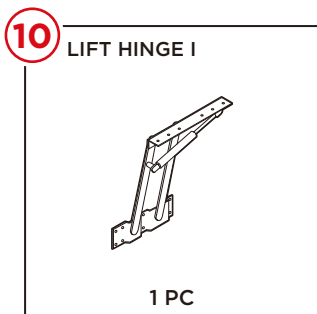
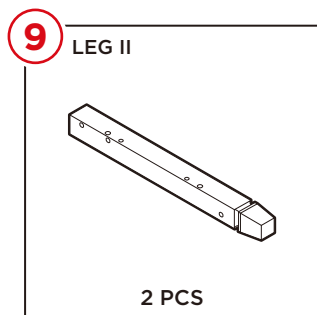
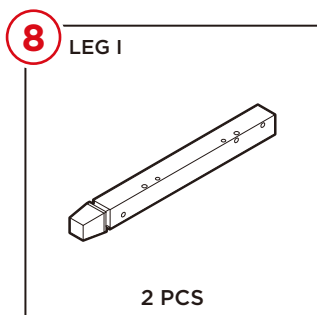
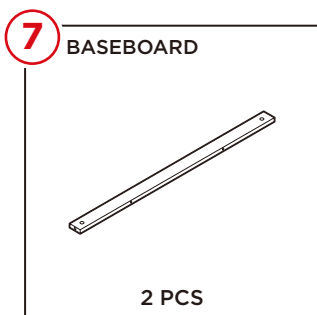
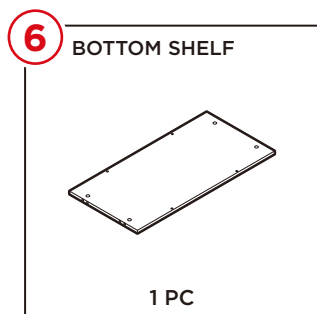
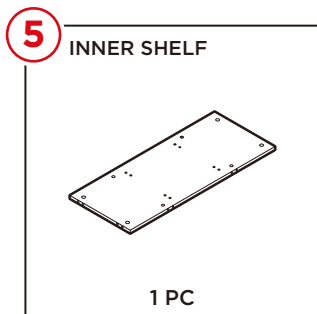
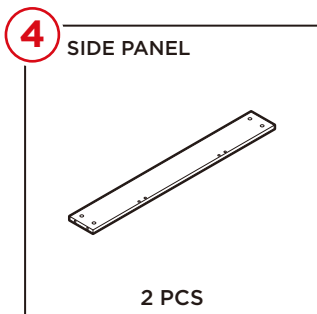
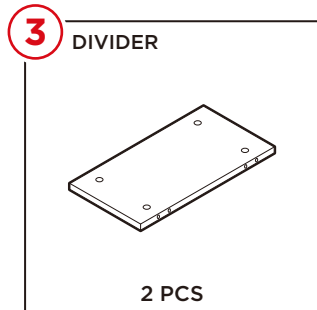
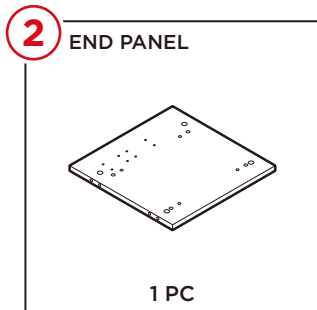
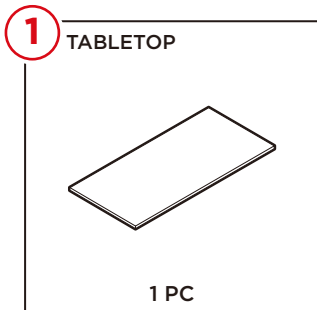


WRENCH  
(PROVIDED)

## HARDWARE



# PARTS

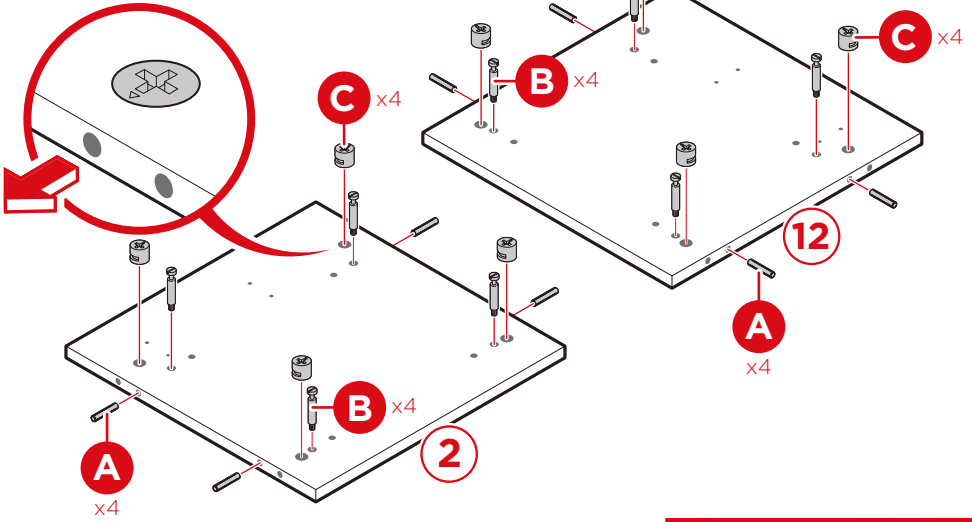


# PRODUCT ASSEMBLY

Please retain these instructions for future reference.

**1**

Insert four part A dowels, four part B cam bolts, and four part C cam locks into each part 2 and part 12 end panel.

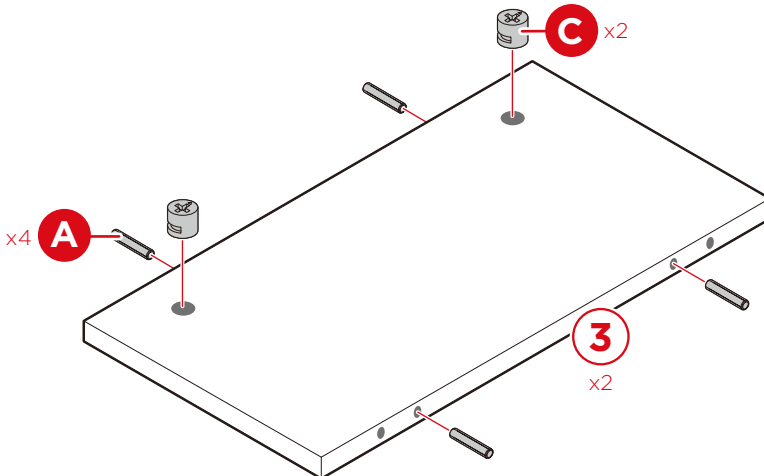


**2**

Insert four part A dowels and two part C cam locks into part 3 dividers.



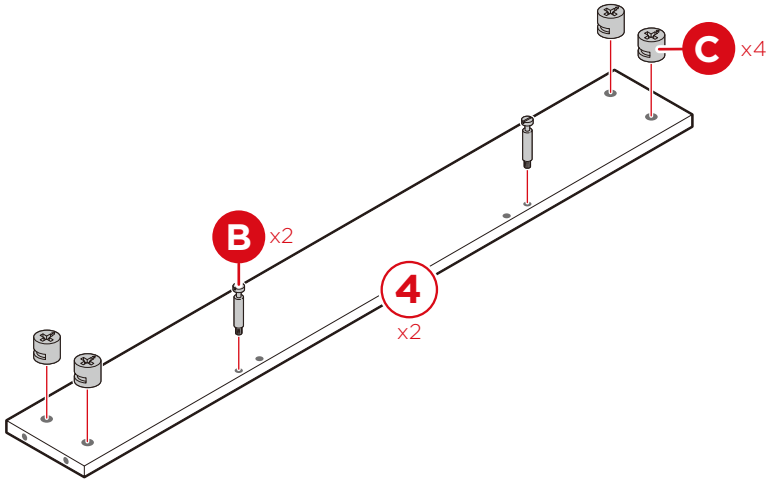
Insert the cam lock with the arrow facing the outside edge.



## PRODUCT ASSEMBLY

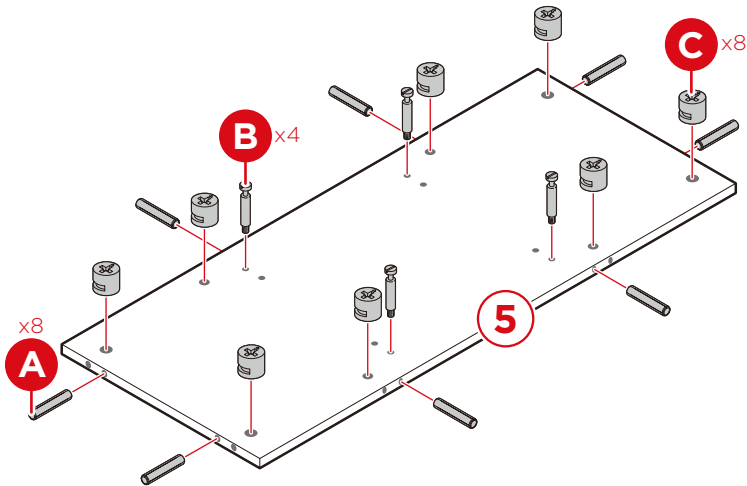
3

Insert two part B cam bolts and four part C cam locks into each part 4 side panel.



4

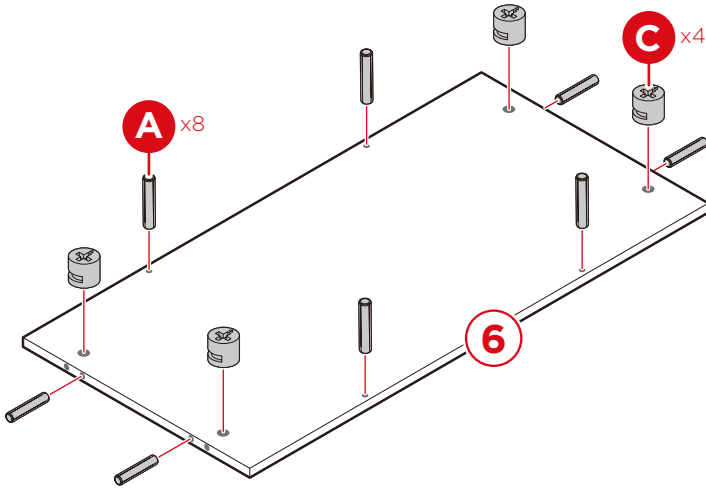
Insert eight part A dowels, four part B cam bolts, and eight part C cam locks into part 5 inner shelf.



## PRODUCT ASSEMBLY

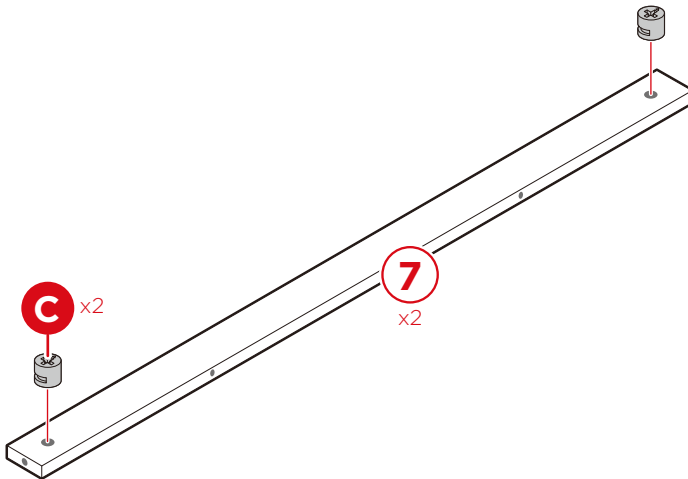
5

Then insert eight part A dowels, and four part C cam locks into the bottom end of part 6 bottom shelf.



6

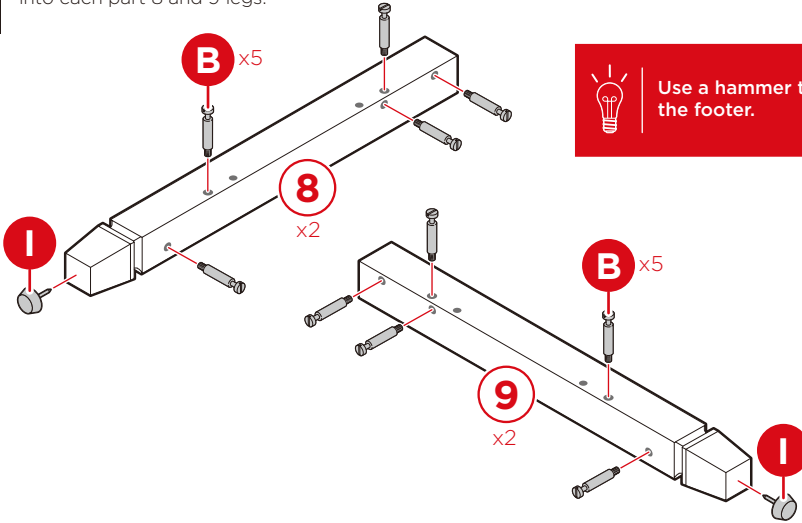
Insert two part C cam locks per baseboard.



## PRODUCT ASSEMBLY

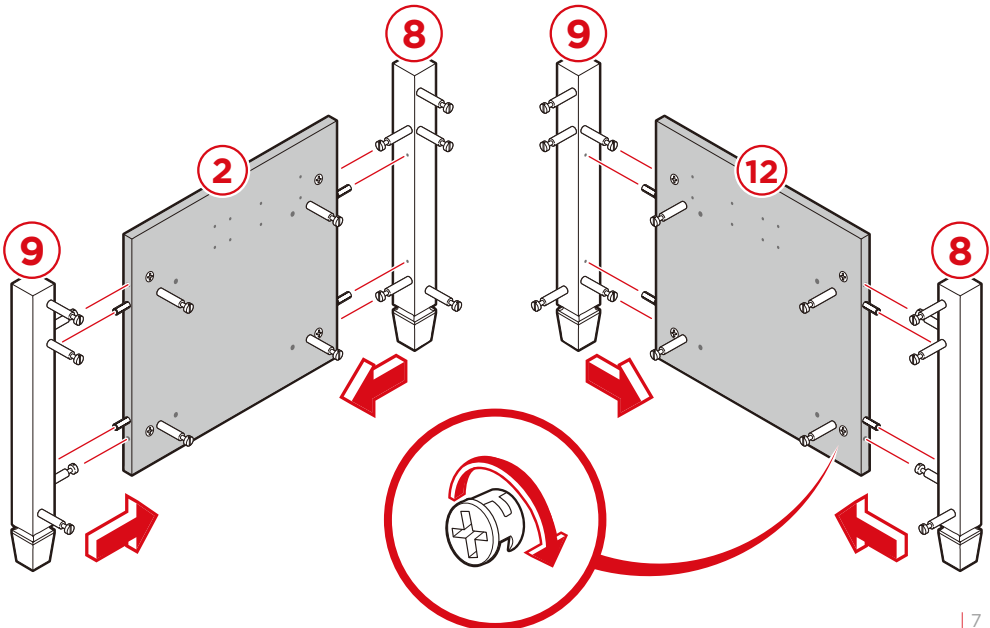
7

Insert five part B cam bolts and one part I footer into each part 8 and 9 legs.



8

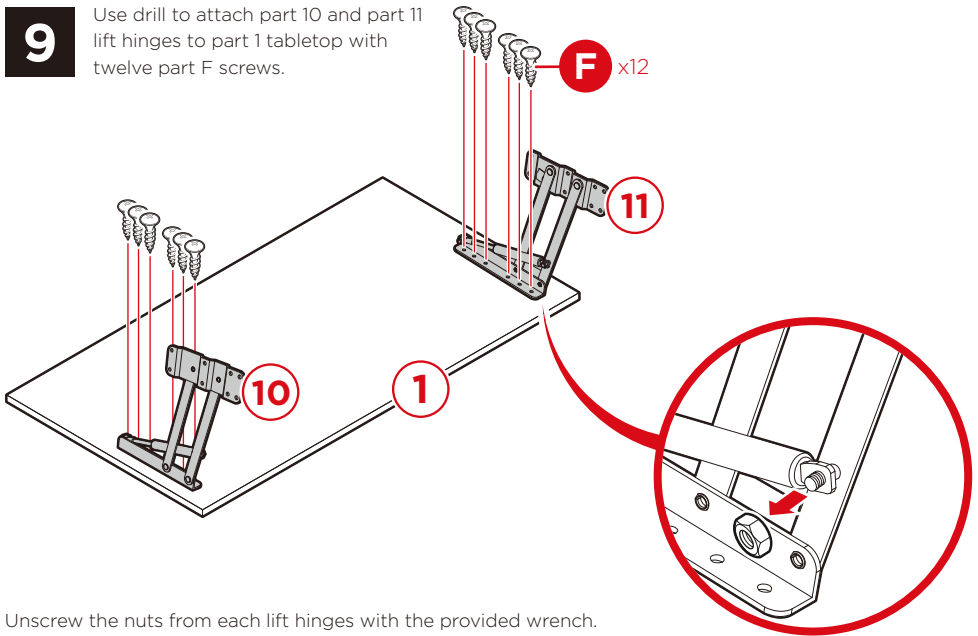
Attach part 8 and 9 table legs to part 2 and part 12 end panels.



## PRODUCT ASSEMBLY

9

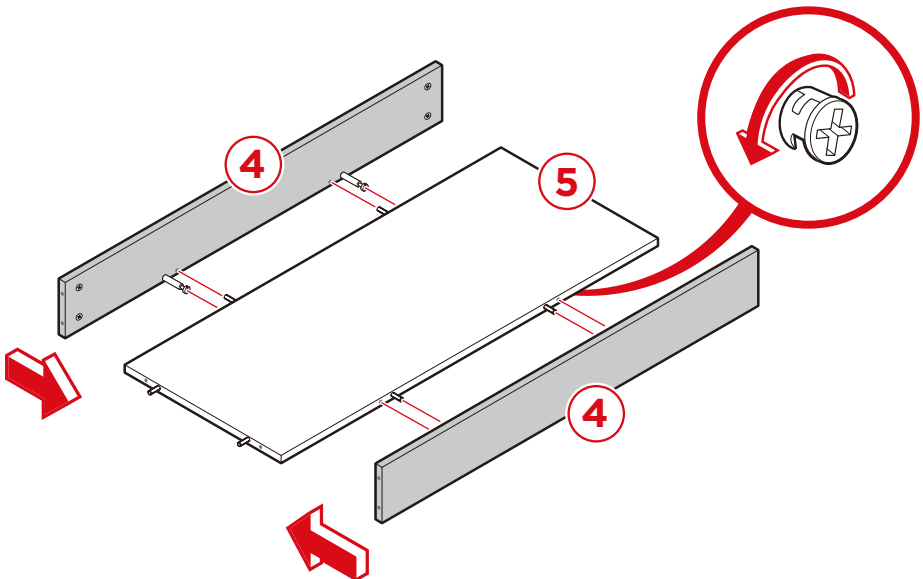
Use drill to attach part 10 and part 11 lift hinges to part 1 tabletop with twelve part F screws.



Unscrew the nuts from each lift hinges with the provided wrench.

10

Insert part 4 side panels into part 5 inner shelf.

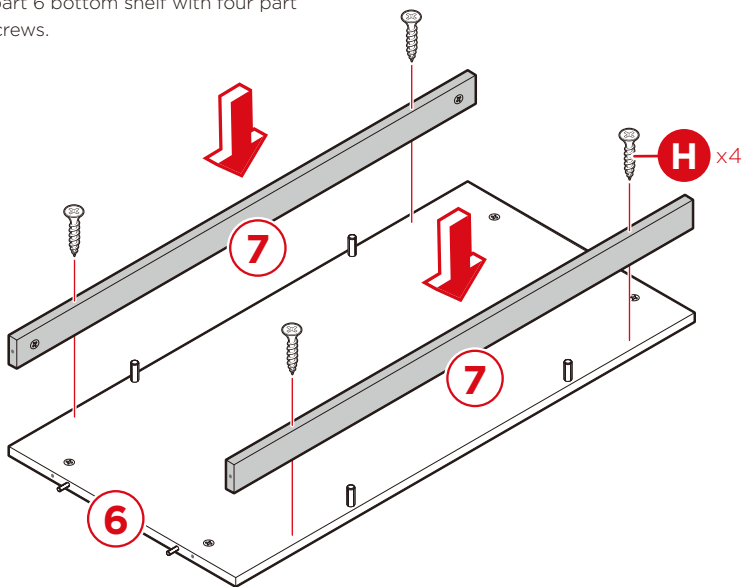




## PRODUCT ASSEMBLY

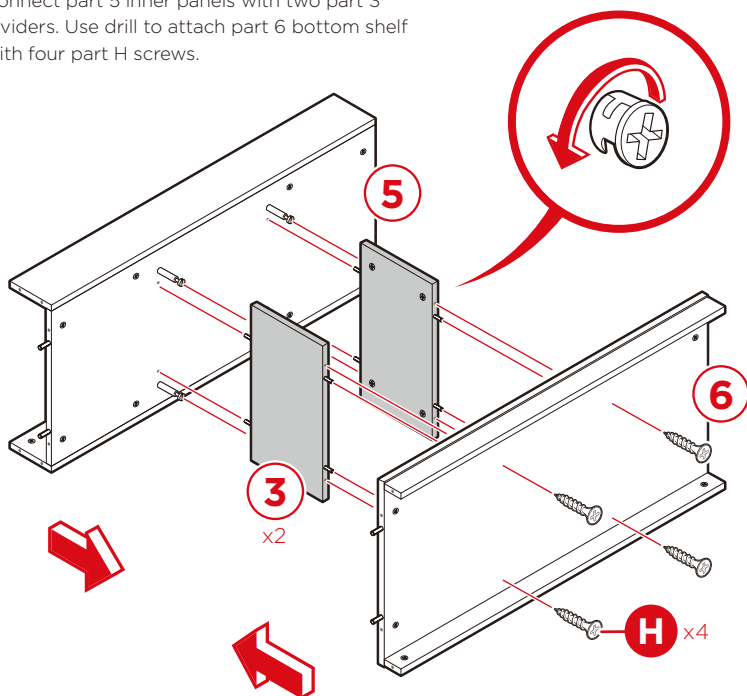
11

Use drill to attach part 7 baseboards to part 6 bottom shelf with four part F screws.



12

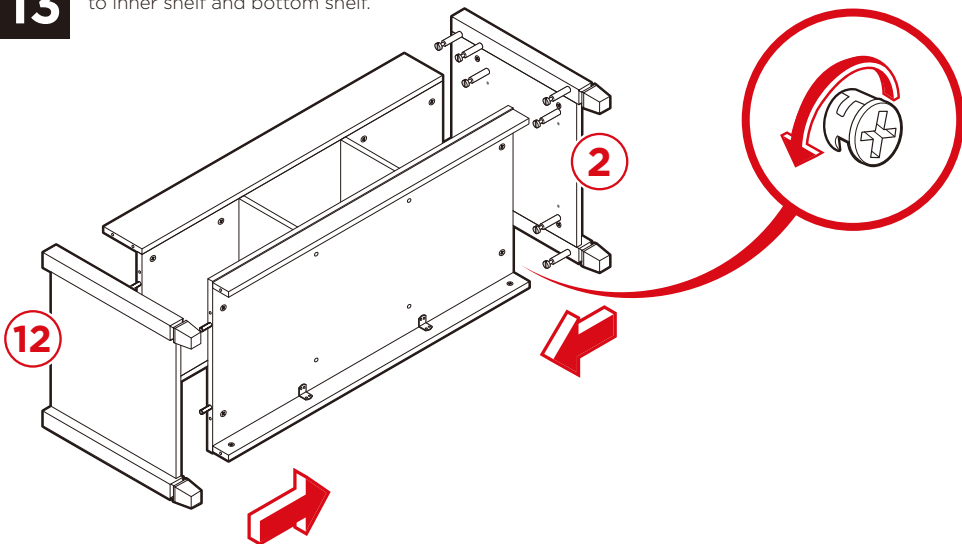
Connect part 5 inner panels with two part 3 dividers. Use drill to attach part 6 bottom shelf with four part H screws.



## PRODUCT ASSEMBLY

**13**

Attach part 2 and part 12 end panels to inner shelf and bottom shelf.

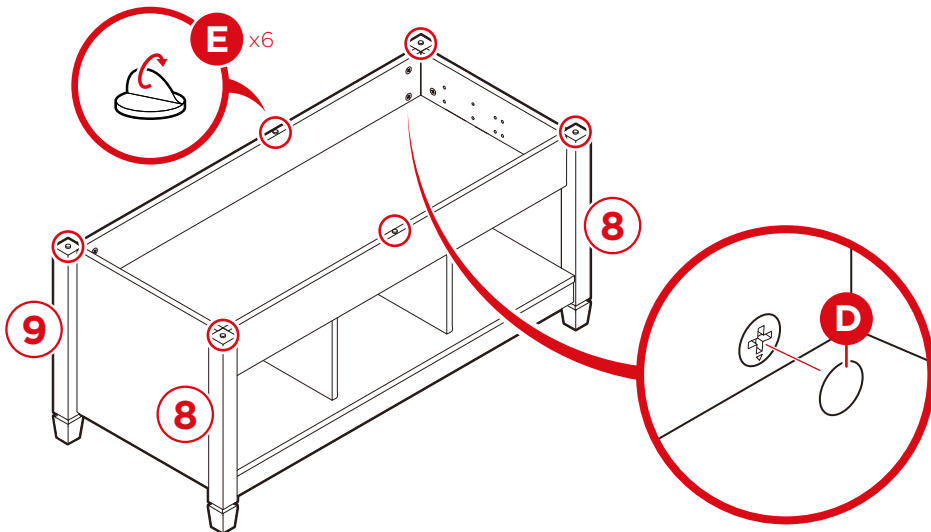


**14**

Peel and place part E tabletop pads on the tops of each part 8 and 9 legs.



Use a screwdriver to turn the cam lock to secure the cam bolt.

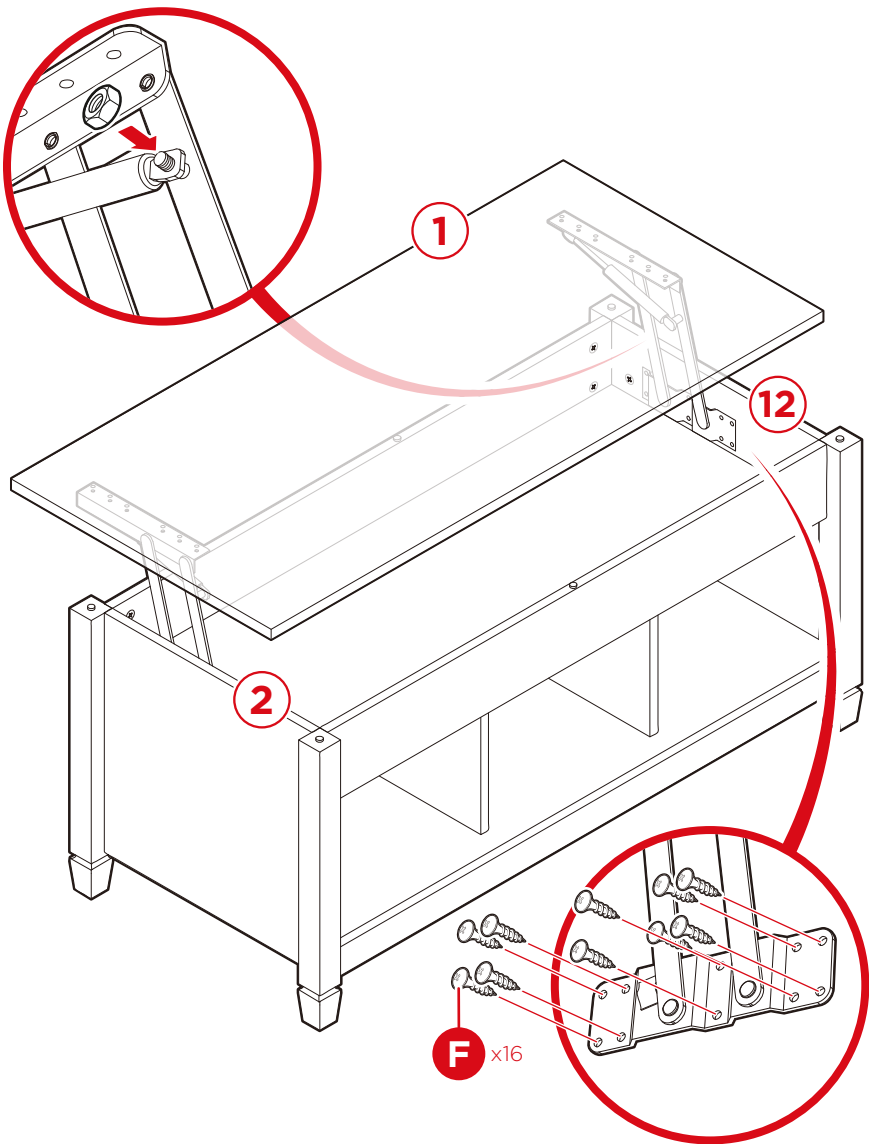


Then apply part D cam covers over each exposed cam lock.

## PRODUCT ASSEMBLY

**15**

Use drill to attach part 1 tabletop to part 2 and part 12 endpanels with sixteen part F screws. Screw back the nuts from each lift hinges with the provided wrench.





# HELP CENTER



Question about your product? We're here to help. Visit us at:

[help.bestchoiceproducts.com](http://help.bestchoiceproducts.com)



Chat Support



Product Inquiry



Orders FAQ



Product Assembly



Returns & Refunds

## PRODUCT WARRANTY INFORMATION

All items can be returned for any reason within 60 days of the receipt and will receive a full refund as long as the item is returned in its original product packaging and all accessories from its original shipment are included. All returned items will receive a full refund back to the original payment method. All returned items will not be charged a re-stocking fee.

All returned items require an RA (Return Authorization) number, which can only be provided by a Best Choice Products Customer Service Representative when the return request is submitted. Items received without an RA may not be accepted or may increase your return processing time. Once an item has been received by Best Choice Products, refunds or replacements will be processed within 5 business days.

All returns must be shipped back to the Best Choice Products Return Center at the customer's expense. If the reason for return is a result of an error by Best Choice Products then Best Choice Products will provide a pre-paid shipping label via email. Boxes for return shipping will not be provided by Best Choice Products, and is the customer's responsibility to either use the original shipping boxes or purchase new boxes.

Pictures may be required for some returns to ensure an item is not damaged prior to its return. Items returned are not considered undamaged until they are received by Best Choice Products and verified as such. All damages to items are the customer's responsibility until the item has been received by and acknowledge by Best Choice Products as undamaged.



## WARNING

Manufacturer and seller expressly disclaim any and all liability for personal injury, property damage or loss, whether direct, indirect, or incidental, resulting from the incorrect attachment, improper use, inadequate maintenance, unapproved modification, or neglect of this product.