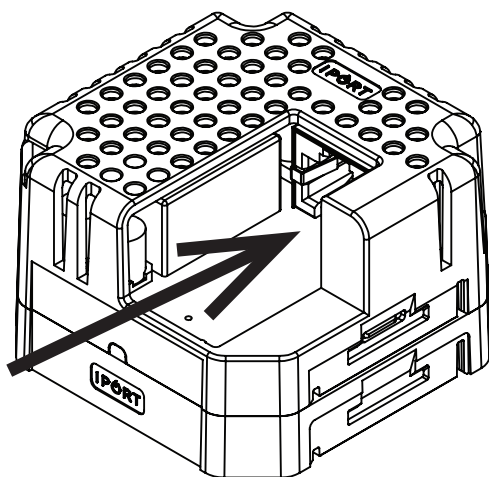


1

Use a Cat 5 or Cat 6 cable terminated with an RJ-45 connector to connect the IPORT PoE+ Adapter (72102).

Connect the other end of the Cat 5 or Cat 6 to a PoE+ Switch or PoE+ Injector.



2

Use the IPORT USB-C to molex cable provided in the Surface Mount Systems (70752, 70754, 70755, 70756, 70808, 70806) and connect into the molex jack of the PoE+ Adapter.

Connect the USB-C cable into the iPad and complete the Surface Mount Install. For more information on installing the Surface Mount please reference the instruction included with the Surface Mount Systems.

