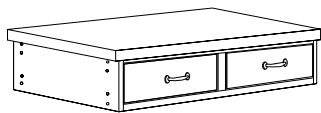


ASSEMBLY INSTRUCTIONS

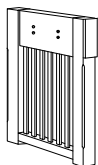
KITCHEN CART

A Kitchen Cart Top



1 pc

B Side Frame



2 pcs

C Shelf (Left)



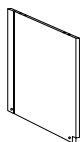
1 pc

D Shelf (Right)



1 pc

E Center Vertical Panel (Left)



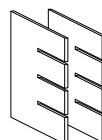
1 pc

F Center Vertical Panel (Right)



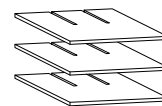
1 pc

G Wine Rack Panel (Vertical)



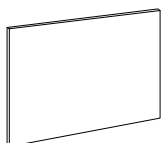
2 pcs

H Wine Rack Panel (Horizontal)



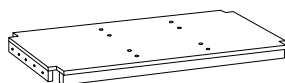
3 pcs

I Back Panel



1 pc

J Bottom Frame



1 pc

K Towel Holder



2 pcs

L Caster with Lock



4 pcs

M JCBC Bolt
Ø1/4 x 35mm



26 pcs

N Spring Washer
Ø1/4x 11mm



26 pcs

O Flat Washer
Ø1/4 x 16mm



26 pcs

P Shelf Stud



8 pcs

Q Allen Key
M4 x 70mm



1 pc

R Wooden Dowel
Ø10 x 30mm



12 pcs

S Wooden Dowel
Ø8 x 30mm

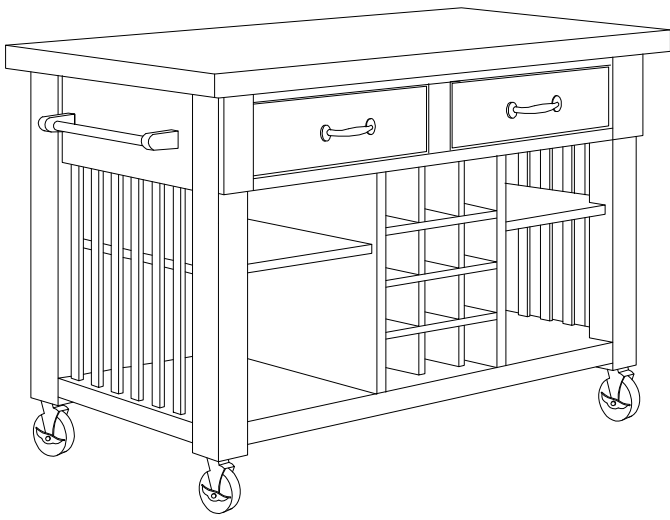


8 pcs

T Wood Screw
M8 x 12mm



8 pcs



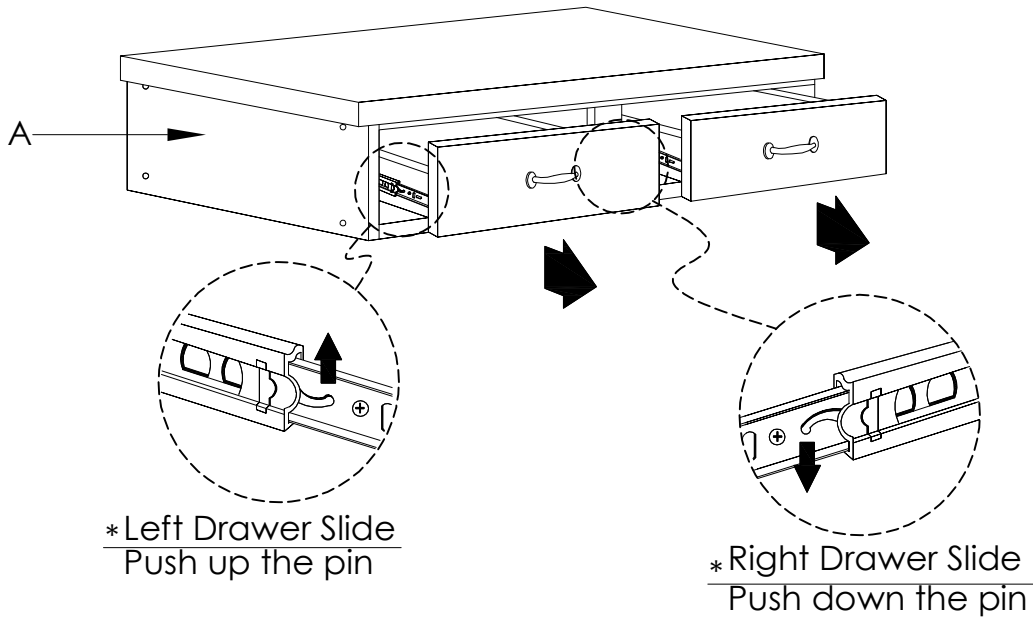
The above page lists all the contents included in the box. Please take the time to identify the hardware as well as the individual components to this product. As you unpack and prepare for assembly, place the contents on a carpeted or padded area to protect them from damage.

IMPORTANT NOTE :

1. Do not tighten all screws / bolts until all completely assembled.
2. Keep all hardware parts out of reach of children.

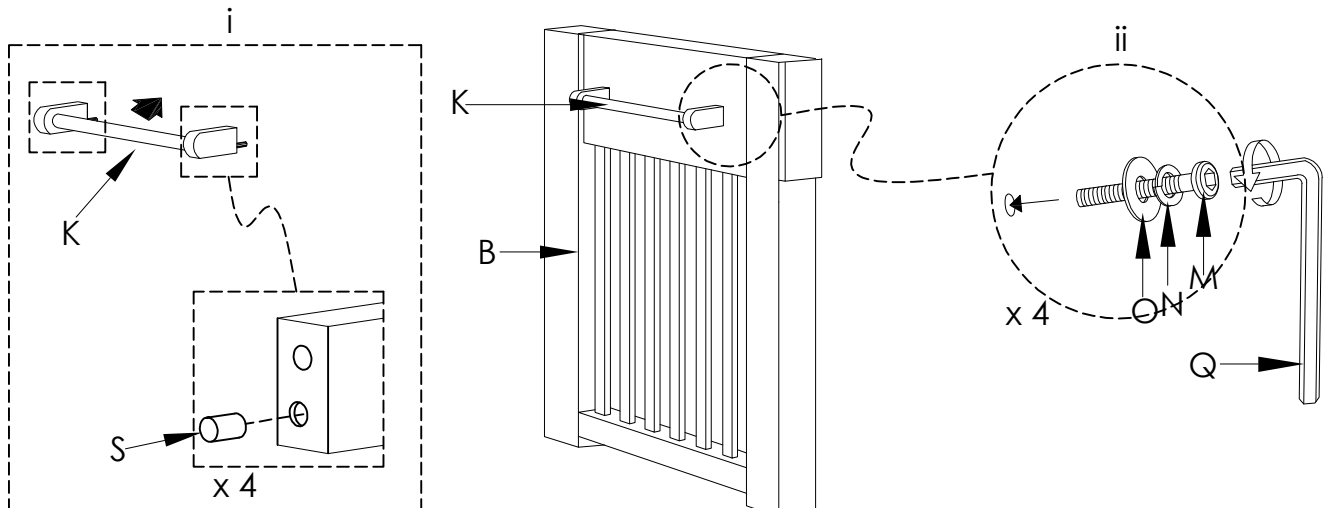
1

Place the Kitchen Cart Top (A) on a piece of cloth to prevent scratching. Please follow the instructions below to take out the drawers before start assembling.



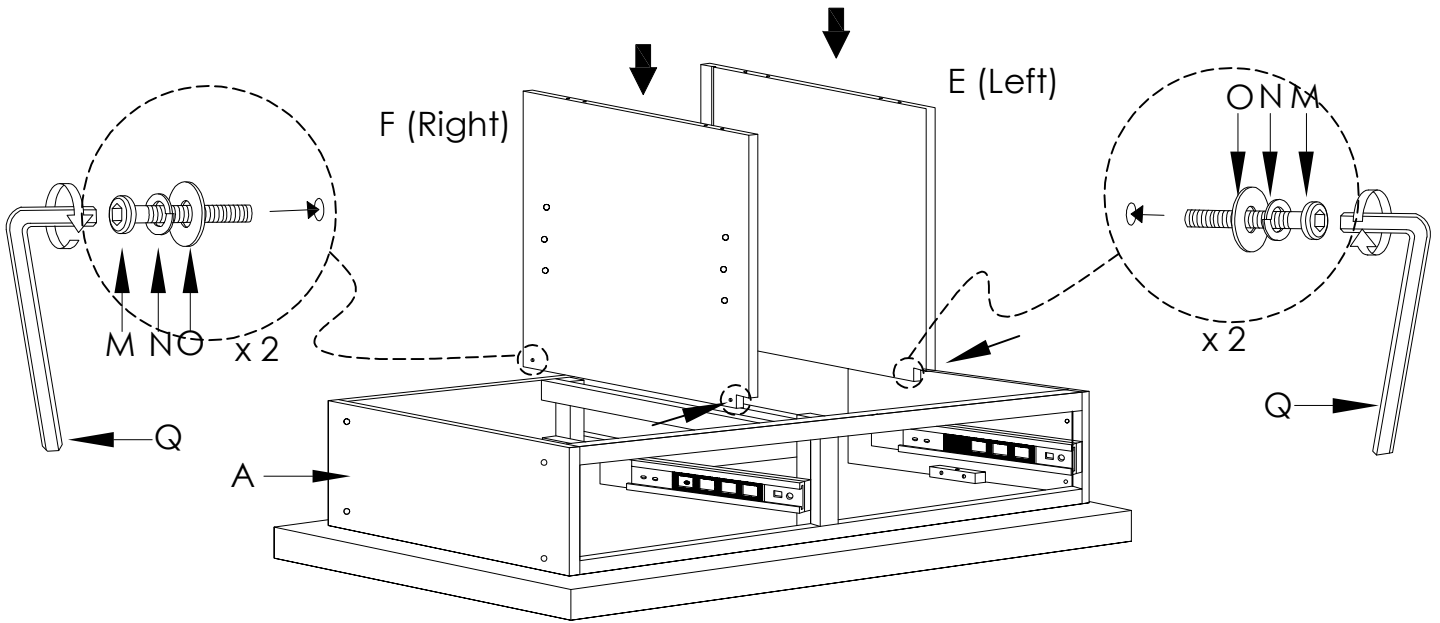
2

- (i) Insert Wooden Dowel (S) into the lower holes of the Towel Holder (K).
- (ii) Attach the Towel Holder (K) to the Side Frame (B) using JCBC Bolt (M), Spring Washer (N) and Flat Washer (O) with the Allen Key (Q).

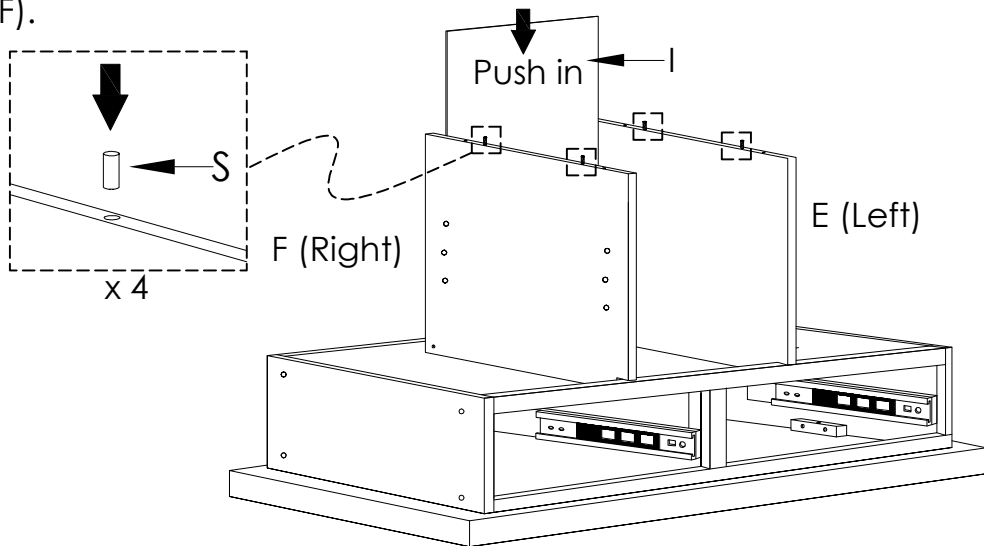


3

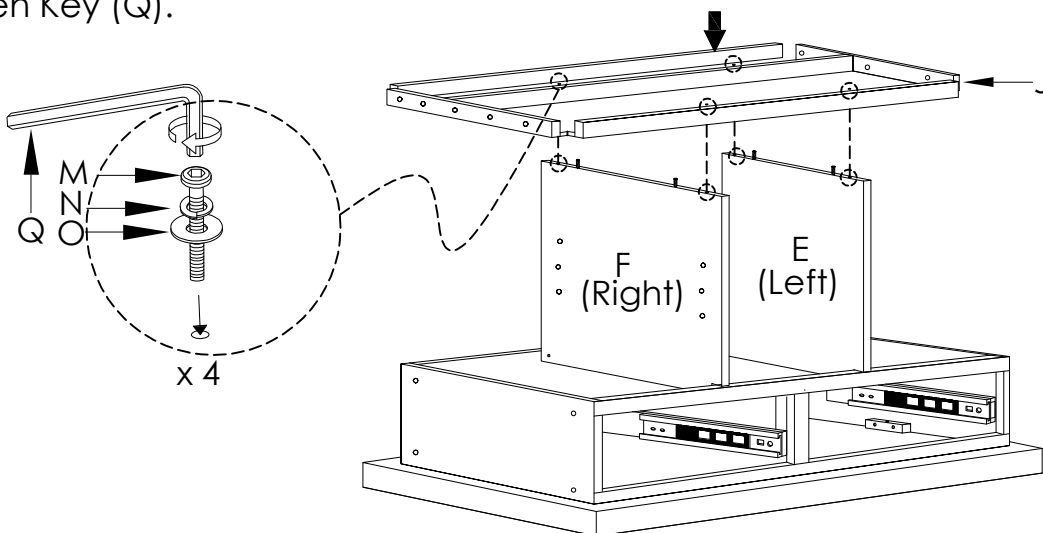
Turn the Kitchen Cart Top (A) upside down. Attach the Left & Right Center Vertical Panel (E) & (F) to the Kitchen Cart Top (A) using JCBC Bolt (M), Spring Washer (N) and Flat Washer (O) with the Allen Key (Q).

**4**

Push the Back Panel (I) in between the Left & Right Center Vertical Panel (E) & (F). Then, insert Wooden Dowel (S) at the bottom of the Left & Right Center Vertical Panel (E) & (F).

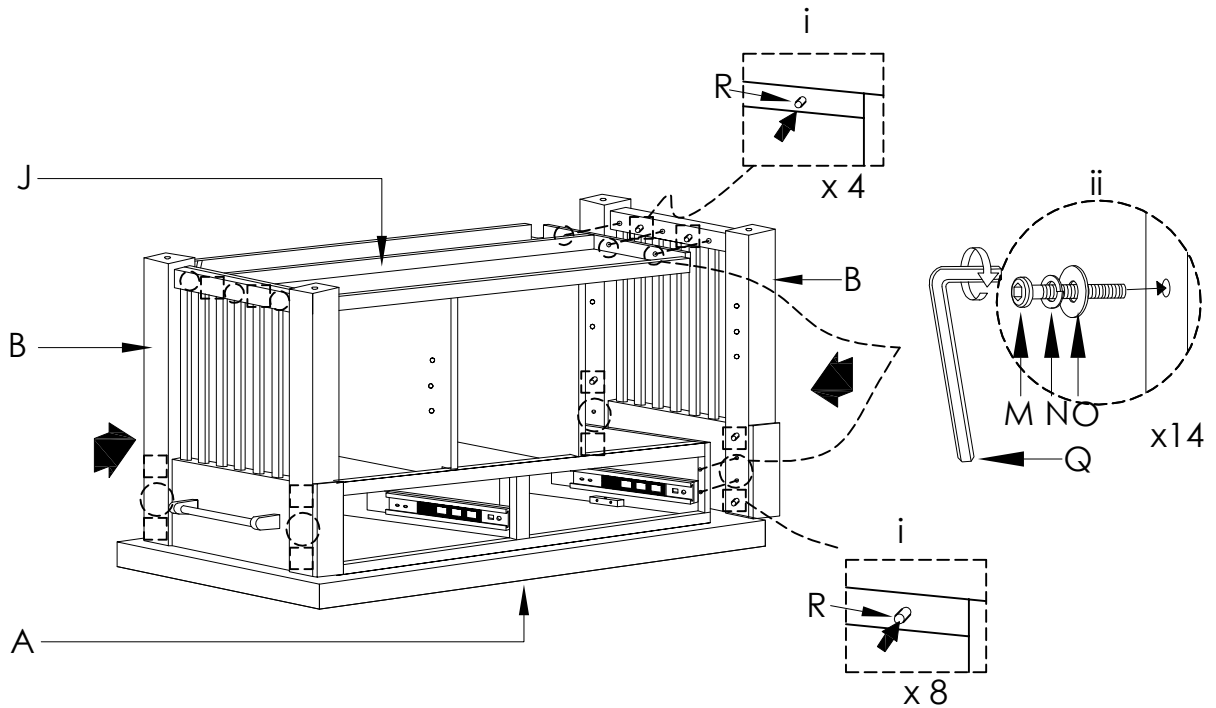
**5**

Align the dowels and attach the Bottom Frame (J) to the Left & Right Center Vertical Panel (E) & (F) using JCBC Bolt (M), Spring Washer (N) and Flat Washer (O) with the Allen Key (Q).

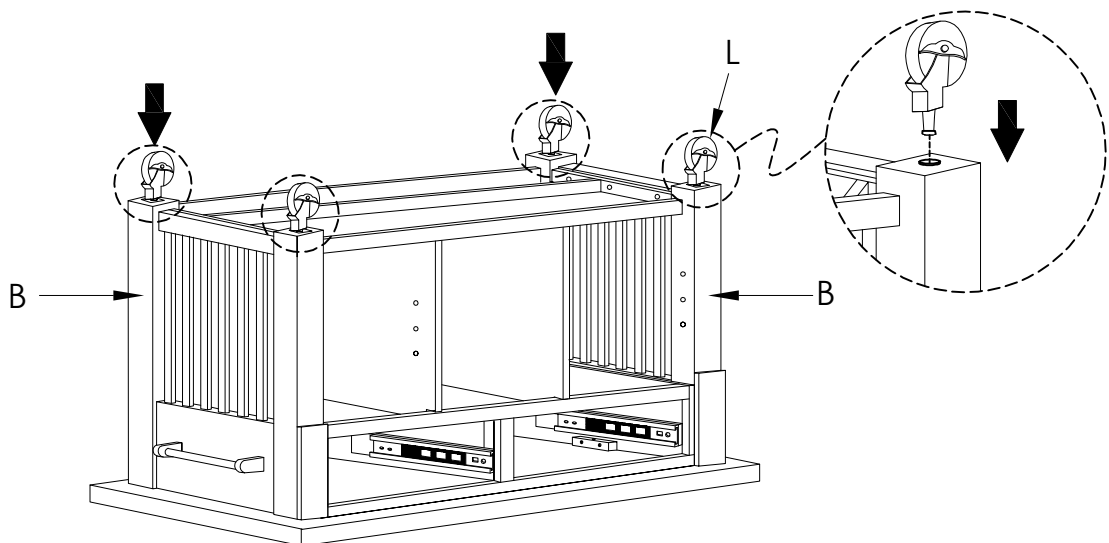


6

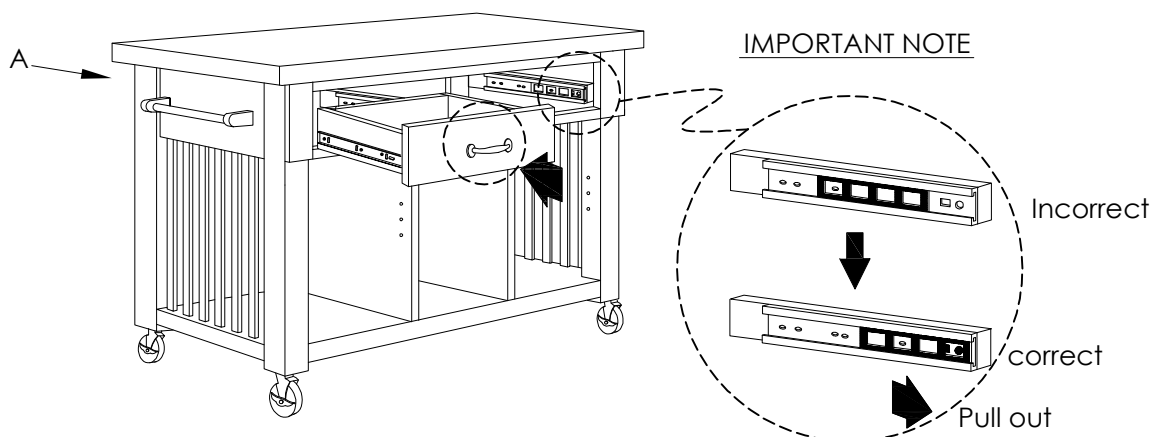
- (i) Insert Wooden Dowel (R) into the pre-drilled holes of the Side Frame (B).
- (ii) Align the dowels and attach the Side Frame (B) to the Kitchen Cart Top (A) and the Bottom Frame (J) using JCBC Bolt (M), Spring Washer (N) and Flat Washer (O) with the Allen Key (Q).

**7**

Press the Caster with Lock (L) firmly into the hardware holes at the bottom of the Side Frame (B) to complete the installation.

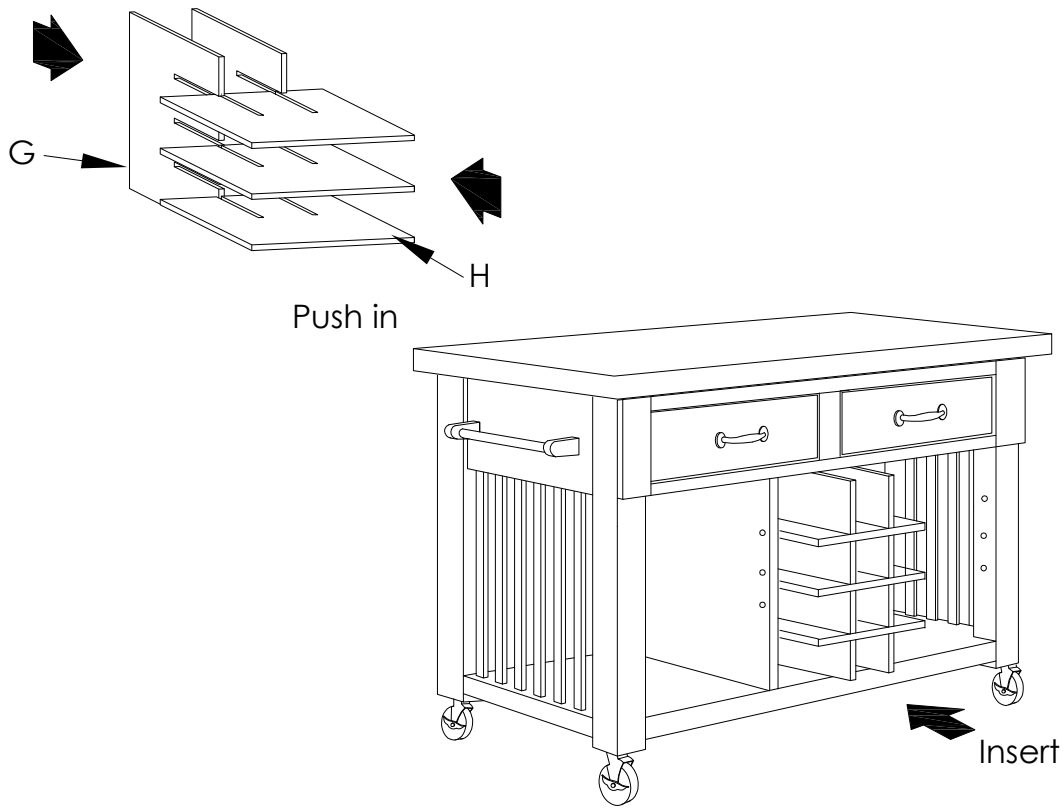
**8**

To insert the drawers, pull out the drawer slides that are screwed to the Kitchen Cart Top (A) at the end. Then, gently insert the drawers.

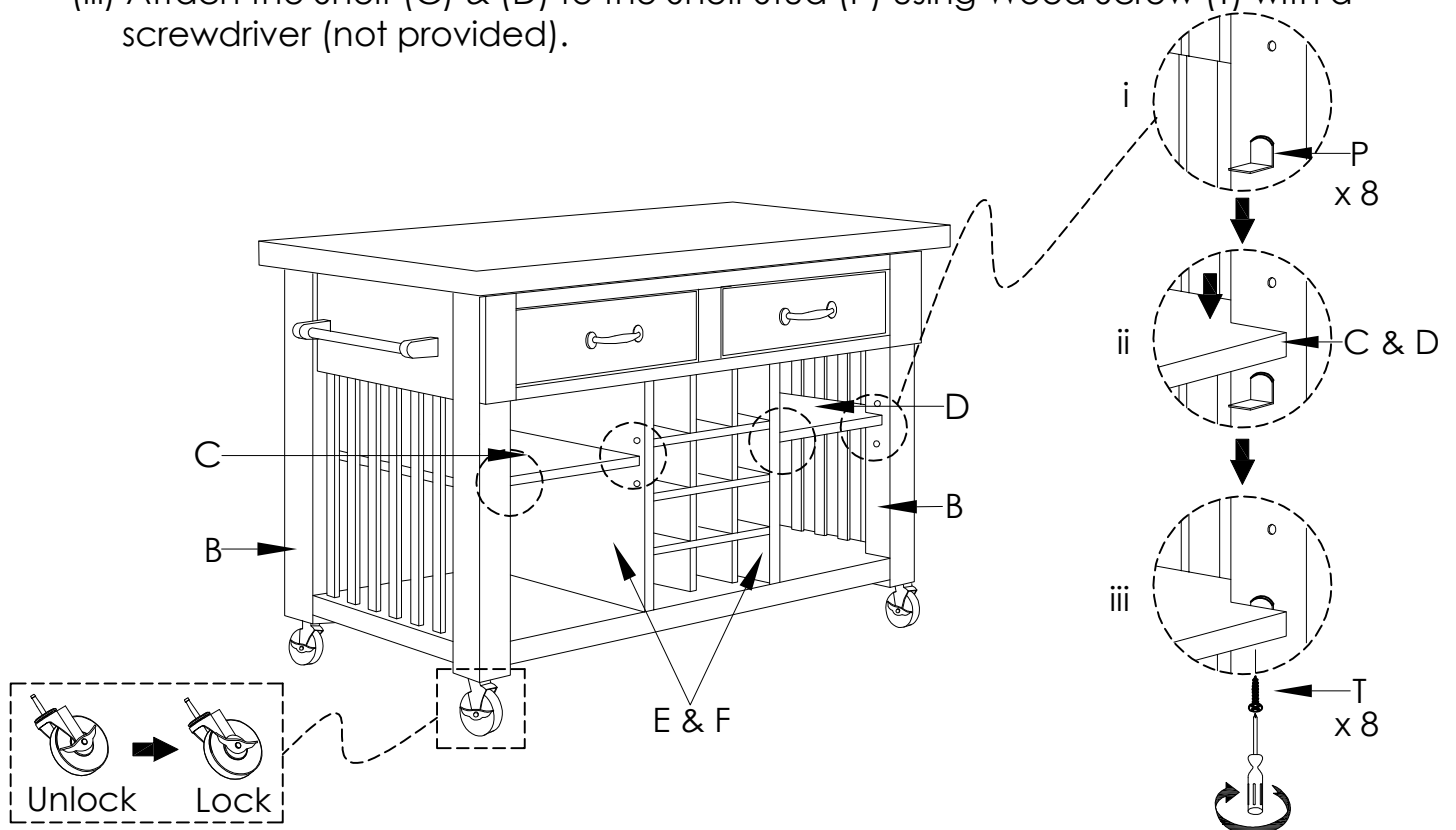


9

Attach the Wine Rack Panel (G) & (H) together, and insert them in the middle of the Left & Right Center Vertical Panel (E) & (F).

**10**

- (i) Insert Shelf Stud (P) into the pre-drilled holes of the Side Frame (B) and Center Vertical Panel (E) & (F).
- (ii) Place the Shelf (C) & (D) on the Shelf Stud (P).
- (iii) Attach the Shelf (C) & (D) to the Shelf Stud (P) using Wood Screw (T) with a screwdriver (not provided).



Cleaning & Care

Treat surfaces with care. Surfaces are resistant to scratches but are not scratch resistant.

Clean surfaces with a dry or damp soft cloth. Do not use abrasive cleaners. Hardware may loosen over time.

Periodically check that all connections are tight.