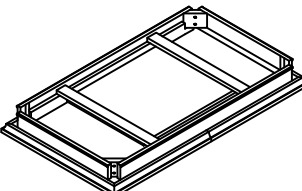
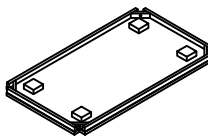
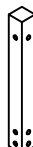



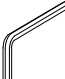


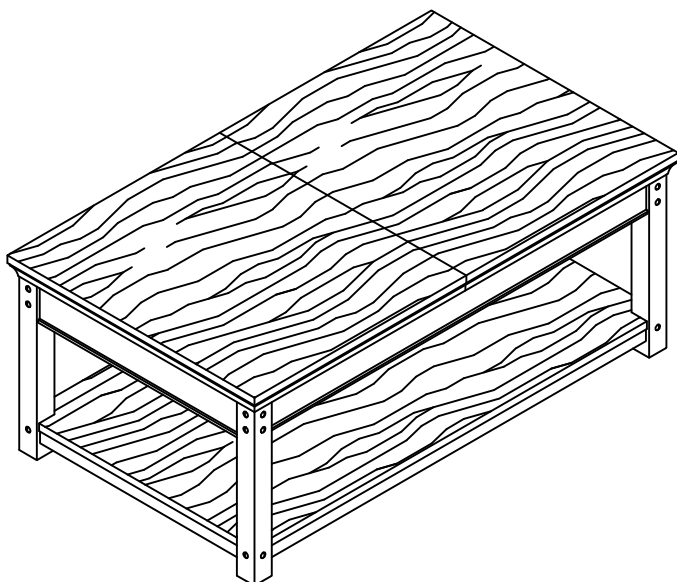


ASSEMBLY INSTRUCTION

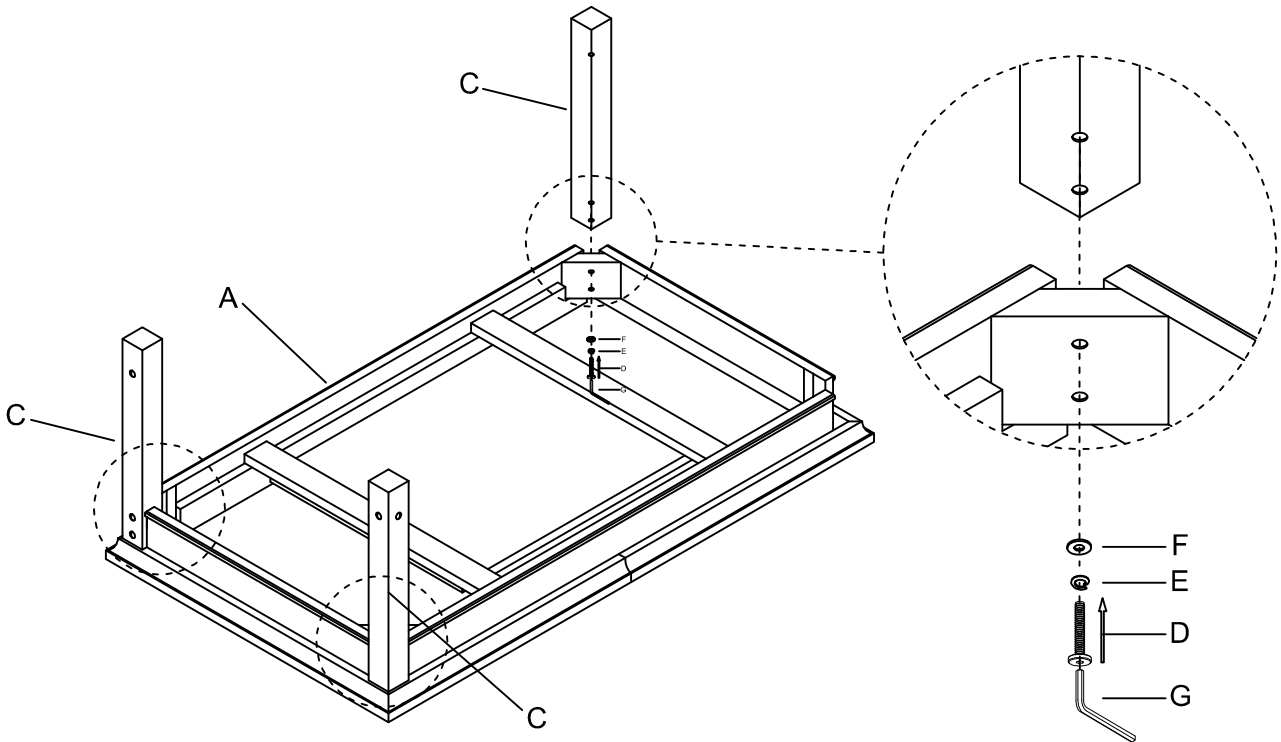
LIFT-TOP COFFEE TABLE

A Top Panel  1PC	B Bottom Shelf  1PC	C Metal Leg  4PCS	D Bolt $\phi 1/4" \times 1-3/4"$  12PCS
E Spring Washer $1/4"$  12PCS	F Flat Washer $1/4" \times 16\text{mm}$  12PCS	G Wrench 4mm  1PC	H Caster $2"$  4PCS
I Screw $\#8 \times 3/4"$  16PCS			

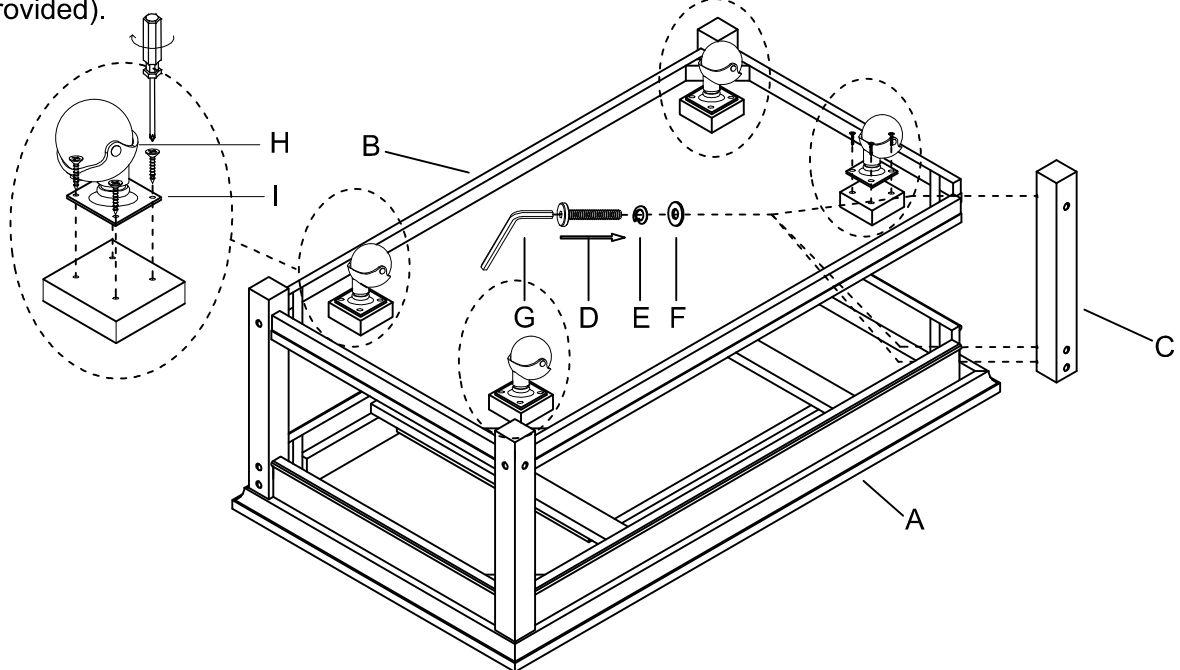


This page lists all the contents included in the box. Please take the time to identify the hardware as well as the individual components to this product. As you unpack and prepare for assembly, place the contents on a carpeted or padded area to protect them from damage.

1 Attach 3pcs Metal Leg (C) to Top Panel (A) using Bolt (D), Spring Washer (E) and Flat Washer (F) by Wrench (G).



2 Attach Bottom Shelf (B) to 3pcs Metal Leg (C) using Bolt (D), Spring Washer (E) and Flat Washer (F) by Wrench (G). Then attach the 4th Metal Leg (C) to both Bottom Shelf (B) and Top Panel (A) by the same method. Finally attach Caster (H) to the Bottom Shelf (B) by using Screw (I) with Screwdriver (not provided).



Cleaning & Care

Treat surfaces with care. Surfaces are resistant to scratches but are not scratch resistant. Clean surfaces with a dry or damp soft cloth. Do not use abrasive cleaners. Hardware may loosen over time. Periodically check that all connections are tight.