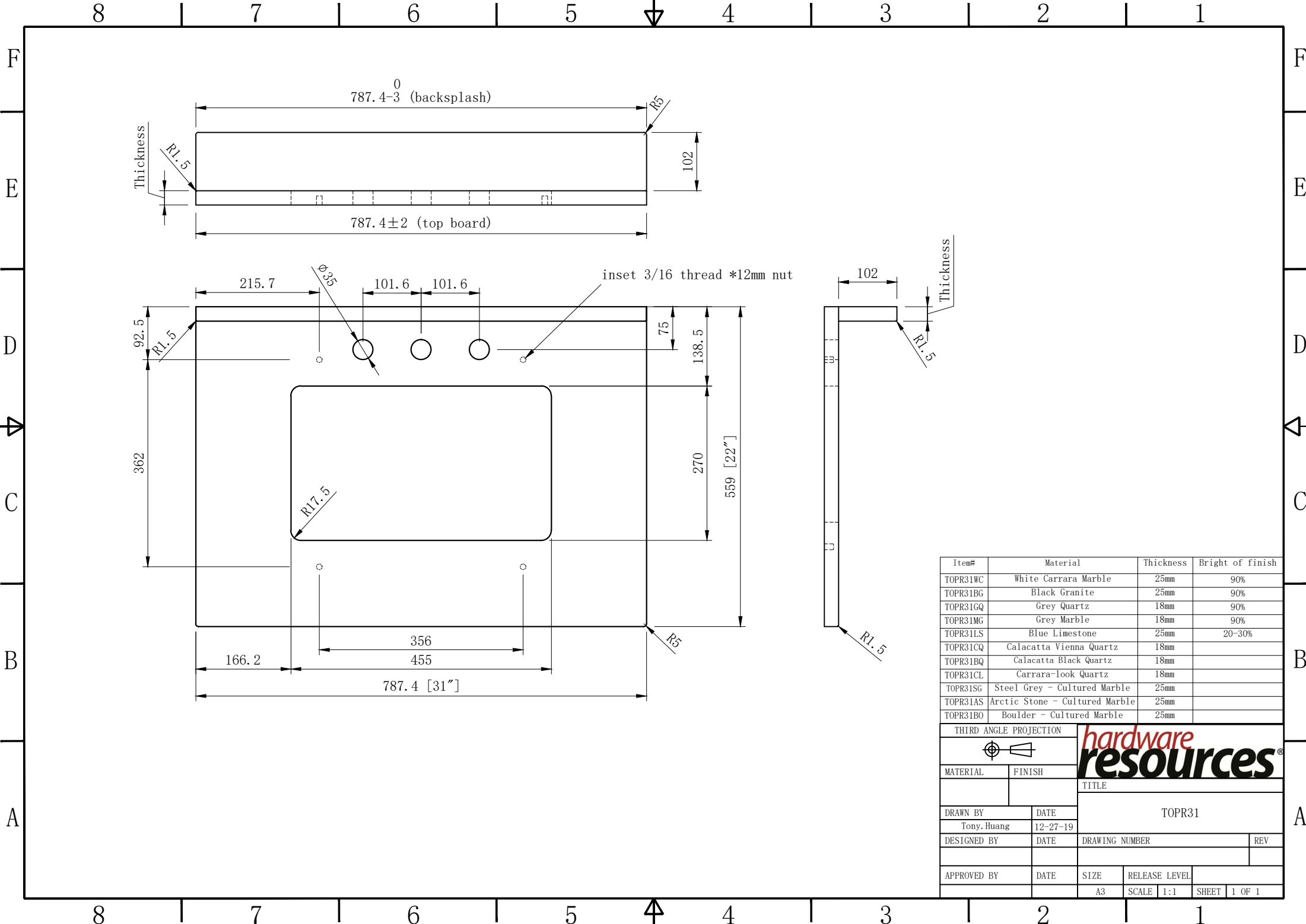


Item#	Material	Thickness	Bright of finish
TOPO31WC	White Carrara Marble	25mm	90%
TOPO31BG	Black Granite	25mm	90%
TOPO31GQ	Grey Quartz	18mm	90%
TOPO31MG	Grey Marble	18mm	90%
TOPO31LS	Blue Limestone	25mm	20-30%
TOPO31CQ	Calacatta Vienna Quartz	18mm	
TOPO31BQ	Calacatta Black Quartz	18mm	
TOPO31CL	Carrara-look Quartz	18mm	
TOPO31SG	Steel Grey - Cultured Marble	25mm	
TOPO31AS	Arctic Stone - Cultured Marble	25mm	
TOPO31BO	Boulder - Cultured Marble	25mm	

THIRD ANGLE PROJECTION				hardware resources			
MATERIAL		FINISH					
TITLE				TOPO31			
DRAWN BY		DATE					
Tony. Huang		12-27-19		DRAWING NUMBER		REV	
DESIGNED BY		DATE		SIZE		RELEASE LEVEL	
				A3		SCALE 1:1	
				SHEET		1 OF 1	

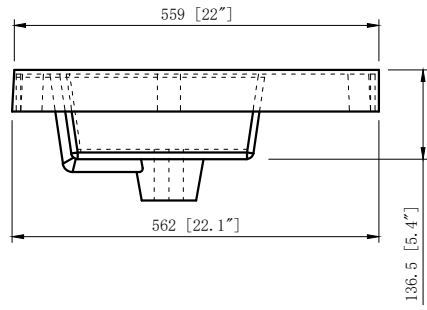
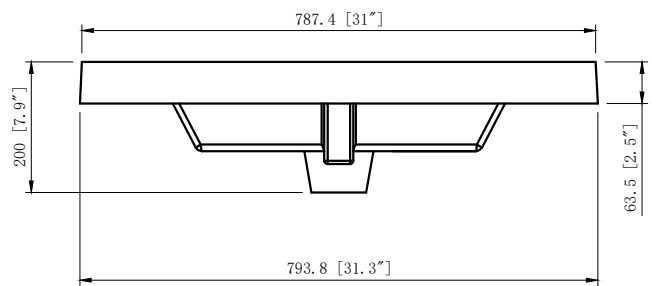
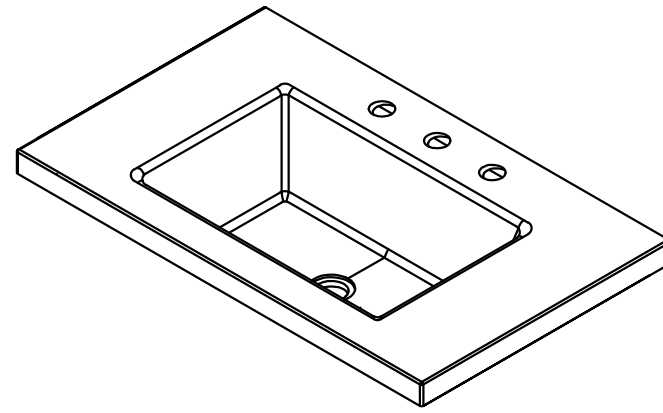
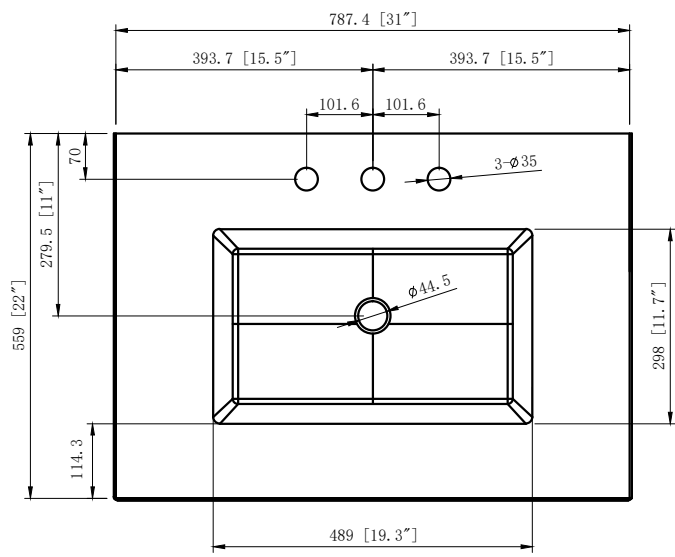


Item#	Material	Thickness	Bright of finish
TOPR31WC	White Carrara Marble	25mm	90%
TOPR31BG	Black Granite	25mm	90%
TOPR31GQ	Grey Quartz	18mm	90%
TOPR31MG	Grey Marble	18mm	90%
TOPR31LS	Blue Limestone	25mm	20-30%
TOPR31CQ	Calacatta Vienna Quartz	18mm	
TOPR31BQ	Calacatta Black Quartz	18mm	
TOPR31CL	Carrara-look Quartz	18mm	
TOPR31SG	Steel Grey - Cultured Marble	25mm	
TOPR31AS	Arctic Stone - Cultured Marble	25mm	
TOPR31BO	Boulder - Cultured Marble	25mm	

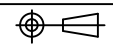
THIRD ANGLE PROJECTION

hardware resources

MATERIAL	FINISH	TITLE
		TOPR31
DRAWN BY	DATE	
Tony.Huang	12-27-19	
DESIGNED BY	DATE	DRAWING NUMBER
		REV
APPROVED BY	DATE	SIZE
		RELEASE LEVEL
		A3
		SCALE 1:1
		SHEET 1 OF 1



Material :Lavante - Cultured Marble

THIRD ANGLE PROJECTION						hardware resources [®]			
MATERIAL	FINISH								
DRAWN BY		DATE		TOPR31LA					
Tony. Huang		04-28-20							
DESIGNED BY		DATE		DRAWING NUMBER		REV			
APPROVED BY		DATE		SIZE	RELEASE LEVEL				
				A3	SCALE 1:1	SHEET	1 OF 1		