

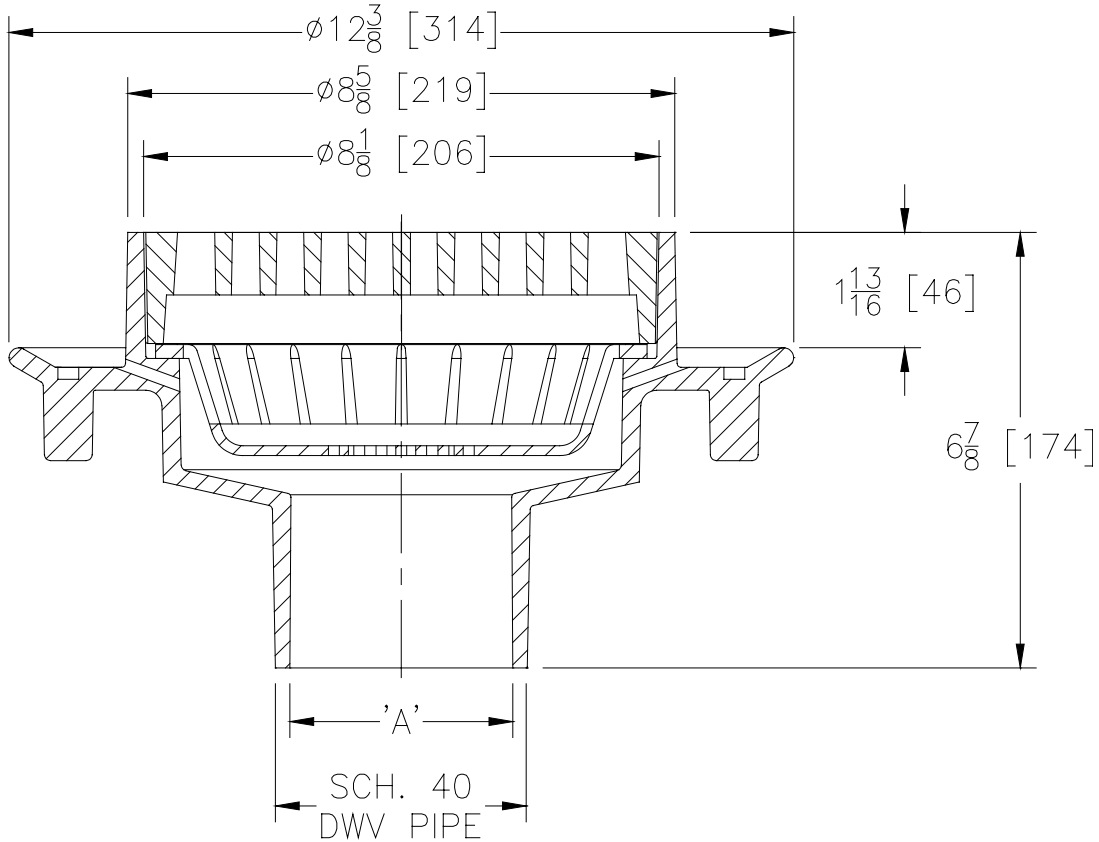


FD2360
LARGE CAPACITY FLOOR DRAIN

SPECIFICATION SHEET

TAG _____

Design and Dimensional Data (inches and [mm]) are Subject to Manufacturing Tolerances and Change Without Notice



Product	'A' Outlet Connection In. [mm]	Grate Open Area Sq. In. [m ²]
____ FD2360-PVC	3 [76] X 4 [102] Solvent Weld	43 [277]

ENGINEERING SPECIFICATION: FD2360

Large capacity floor drain. Low profile design with PVC body, integral anchor flange, sediment bucket and deep grate. For use at grade or above grade. Outlet connection fits over 3" [76mm] and inside 4" [102mm] sch. 40 DWV pipe.

OPTIONS (Check/specify appropriate options)

- ____ -P Trap Primer Connection
- ____ -2 1/2 Grate
- ____ -3 3/4 Grate

* Regularly furnished unless otherwise specified

⚠ WARNING: Cancer and Reproductive Harm - www.P65Warnings.ca.gov

⚠ ADVERTENCIA: Cáncer y daño reproductivo - www.P65Warnings.ca.gov

⚠ AVERTISSEMENT: Cancer et effets néfastes sur la reproduction - www.P65Warnings.ca.gov

Zurn Industries, LLC | Specification Drainage Operation
1801 Pittsburgh Avenue, Erie, PA 16502, Ph. 855.663.9876

In Canada | Zurn Industries Limited
7900 Goreway Drive, Unit 10, Brampton, Ontario L6T 5W6, Ph. 877.892.5216

www.zurn.com

Rev. F
Date: 05/24/24
C.N. No. 146106
Prod. | Dwg. No. FD2360