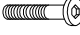
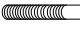





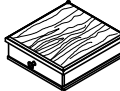


HEKMAN®

A HOWARD MILLER COMPANY

24806 DRAWER LAMP TABLE

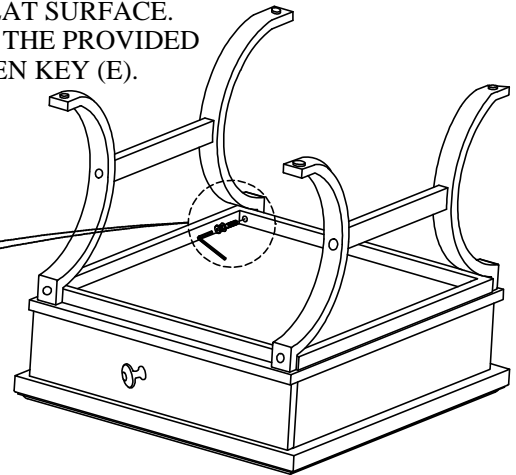
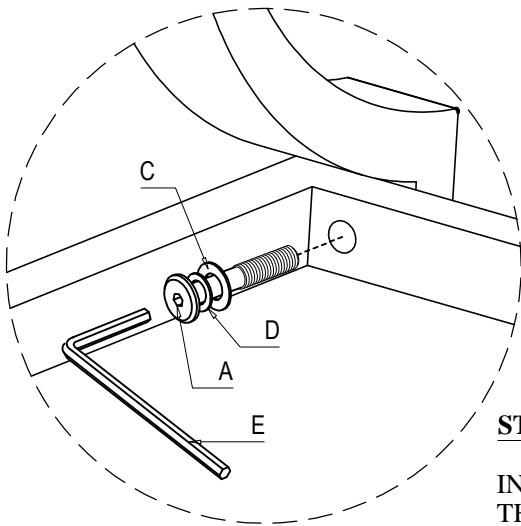
HARDWARE LIST				
A	B	C	D	E
ALLEN BOLT M6 X 35 (4 PCS.)	ALLEN BOLT M6 X 80 (4 PCS.)	FLAT W. M6 8 PCS.	LOCK W. M6 8 PCS.	ALLEN KEY L4 (FOR ALLEN BOLT) 1 PC.
				



PART INSIDE		
1	2	3
TOP ASSEMBLY (1 Pc)	BASE ASSEMBLY (1 Pc)	METAL LEG (2 Pcs)
		

STEP 1.

PLACE DRAWER LAMP TABLE TOP ASSEMBLY ON A SOFT AND FLAT SURFACE. ASSEMBLE THE METAL LEG (3) TO THE TOP ASSEMBLY (1) USING THE PROVIDED ALLEN BOLT (A), LOCK WASHER (D), FLAT WASHER (C) AND ALLEN KEY (E).



STEP 2.

INSTALL THE BASE ASSEMBLY (2) TO THE METAL LEG (3) USING THE PROVIDED ALLEN BOLT (B), LOCK WASHER (D), FLAT WASHER (C) AND ALLEN KEY (E). TIGHTEN ALL.

