

Invacare® Top End® Pro Basketball™ Wheelchair



PROVIDER / CUSTOMER INFORMATION:			
Provider Information:		End User Information:	
Date:	Name:	Height:	
IVC Acct #:	Ship to Address:	Weight (lbs.):	
Contact:	Address Line 2:	Leg Length (in.):	
Phone #:	City:	Hip Width (in.):	
Fax/Email:	State:	Zip:	Phone #:
<input type="radio"/> Ship to Provider		<input type="radio"/> Ship to End User	
Email:			
ORDER REQUEST TYPE:			
<input type="radio"/> Quote		<input type="radio"/> Order	
PO #		<input type="text"/>	

BASE MODEL:		
<input checked="" type="radio"/> 10000	Top End Pro BB Wheelchair <i>Note: Chair ordered without wheels, tires, axles or handrims starts at \$2,625</i>	\$3,455

Assembly: <i>(see definitions)</i>		
<input checked="" type="radio"/> 10048	Assembled	\$0
Shipping:		
Shipping Fee <i>(Continental US Only - See definitions)</i>		\$150

SIZING: <i>(See exclusions and diagrams below)</i>		
SEAT WIDTH:		
<input type="radio"/> 15005	10" Seat Width	\$0
<input type="radio"/> 15007	11" Seat Width	\$0
<input type="radio"/> 15009	12" Seat Width	\$0
<input type="radio"/> 15011	13" Seat Width	\$0
<input type="radio"/> 15013	14" Seat Width	\$0
<input type="radio"/> 15015	15" Seat Width	\$0
<input type="radio"/> 15017	16" Seat Width	\$0
<input type="radio"/> 15019	17" Seat Width	\$0
<input type="radio"/> 15021	18" Seat Width	\$0
<input type="radio"/> 15023	19" Seat Width	\$0
<input type="radio"/> 15025	20" Seat Width	\$0
SEAT DEPTH:		
<input type="radio"/> 15034	10" Seat Depth	\$0
<input type="radio"/> 15036	11" Seat Depth	\$0
<input type="radio"/> 15038	12" Seat Depth	\$0
<input type="radio"/> 15040	13" Seat Depth	\$0
<input type="radio"/> 15042	14" Seat Depth	\$0
<input type="radio"/> 15044	15" Seat Depth	\$0
<input type="radio"/> 15046	16" Seat Depth	\$0
<input type="radio"/> 15048	17" Seat Depth	\$0
<input type="radio"/> 15050	18" Seat Depth	\$0

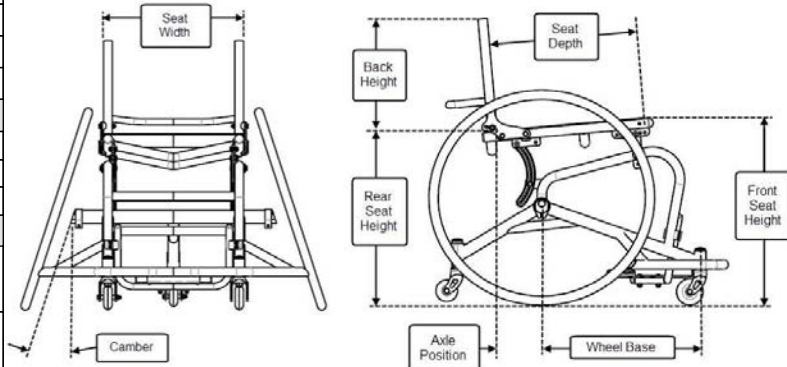
BACK HEIGHT:		
<input type="radio"/> 15126	Adjustable 9" to 11"	\$0
<input type="radio"/> 15127	Adjustable 10" to 14"	\$0
<input type="radio"/> 15128	Adjustable 14" to 18"	\$0
SEAT HEIGHT:		
<input type="radio"/> 15099	Adjustable Front: 19" to 21" <i>(Tall)</i> Adjustable Rear: 15" to 21"	\$0
<input type="radio"/> 15100	Adjustable Front: 17" to 19" <i>(Short)</i> Adjustable Rear: 13" to 17"	\$0



WHEELBASE: <i>(See diagrams below)</i>		
<input type="radio"/> 75066	15" Wheelbase	\$0
<input type="radio"/> 75068	17" Wheelbase	\$0
<input type="radio"/> 75070	19" Wheelbase	\$0

WHEELBASE GUIDE:			
Seat Depth:	10" - 14"	15" - 16"	17" - 18"
Recommended Wheelbase:	15"	17"	19"

CAMBER ANGLE: <i>(See diagram below)</i>		
<input type="radio"/> 45008	15 Degree Camber	\$0
<input type="radio"/> 45009	18 Degree Camber	\$0
<input type="radio"/> 45010	20 Degree Camber	\$0



Invacare Corporation Top End Division

All rights reserved. Trademarks are identified by the symbols ™ and ®. All trademarks are owned by or licensed to Invacare Corporation unless otherwise noted. Specifications and prices are subject to change without notification.

Invacare® Top End® Pro Basketball™ Wheelchair



BACK TYPE:		
<input checked="" type="radio"/>	15159	Non-Fold-Down, Angle Adjustable back \$0

CENTER OF GRAVITY:		
<input checked="" type="radio"/>	45072	Adjustable 3.5" to 5.5" \$0

ANTI-TIP:		
<input type="radio"/>	20030	Single, Adjustable Height \$0
<input type="radio"/>	20031	Double, Adjustable Height \$181

FOOTREST:		
<input checked="" type="radio"/>	60001	Platform, Height Adjustable \$0
<input type="radio"/>	60030	Click Strap, Single Pad \$90

SIDE GUARDS:		
<input type="radio"/>	20016	Omit Side Guards \$0
<input type="radio"/>	20004	Fixed, Aluminum, Clamp-on \$151

UPHOLSTERY:		
MATERIAL & COLOR:		
<input type="radio"/>	30001	Nylon, Black \$0

SEAT STYLE:		
<input checked="" type="radio"/>	30019	Screw - On Seat Upholstery \$0

BACK STYLE:		
<input type="radio"/>	30012	Adjustable Tension Back Upholstery \$0
<input type="radio"/>	30004	Adjustable Tension Back Upholstery with Leather Flaps and Aluminum Dome Plugs <i>(see definitions)</i> \$90

SEAT CUSHIONS:		
<input type="radio"/>	30005	2" Soft Cushion \$0
<input type="radio"/>	30006	3" Soft Cushion \$37
<input type="radio"/>	30008	2" Hard Cushion \$60
<input type="radio"/>	30009	3" Hard Cushion \$90
<input type="radio"/>	30010	4" Hard Cushion \$102

WHEEL SETS: <i>(see diagram below)</i>		
--	--	--

WHEEL SIZE:		
<input type="radio"/>	50190	24" (540) \$0
<input type="radio"/>	50191	25" (559) \$0
<input type="radio"/>	50192	26" (590) \$0

WHEEL STYLE:		
High Performance Wheels:		
<input type="radio"/>	50194	Omit Wheels & Axles, Build for HP <i>-\$100 (credit)</i>
<input type="radio"/>	50196	High Performance \$0

Spinergy Wheels:		
<input type="radio"/>	50195	Omit Wheels & Axles, Build for Spinergy <i>-\$100 (credit)</i>
<input type="radio"/>	50197	Spinergy SLX \$970
<input type="radio"/>	50198	Spinergy XSLX \$1,030

SPOKE COLOR:		
<input type="radio"/>	50273	Red \$0
<input type="radio"/>	50274	Yellow \$0
<input type="radio"/>	50275	Green \$0
<input type="radio"/>	50276	Blue \$0
<input type="radio"/>	50277	Pink \$0
<input type="radio"/>	50278	Purple \$0
<input type="radio"/>	50279	Orange \$0
<input type="radio"/>	50280	Black \$0
<input type="radio"/>	50282	White \$0
<input type="radio"/>	50283	Metal <i>(High Performance wheels only)</i> \$0
<input type="radio"/>	50281	Custom <i>(See Page 5)</i> \$241

HANDRIMS:		
<input type="radio"/>	50307	Omit Handrims <i>-\$40 (credit)</i>
<input type="radio"/>	50297	6 Tabs, Aluminum, Anodized \$0

HANDRIM MOUNTING:		
<input type="radio"/>	50308	Standard Mount \$0
<input type="radio"/>	50309	Close Mount \$0
<input type="radio"/>	50310	Close Mount with Cut Tabs \$82

TIRES:		
<input type="radio"/>	50169	Omit Tires <i>-\$30 (credit)</i>
<input type="radio"/>	50216	Primo Grey \$0

WHEEL SIZE GUIDE:			
Rear Seat Height:	Short	Short or Tall	Tall
Player Specifications:	Junior's/ Short Arms	Adult/3.0 or Lower	Adult/3.5 or Higher
Recommended Wheel Size:	24"	25"	26"

Invacare Corporation Top End Division

All rights reserved. Trademarks are identified by the symbols ™ and ®. All trademarks are owned by or licensed to Invacare Corporation unless otherwise noted. Specifications and prices are subject to change without notification.

Invacare® Top End® Pro Basketball™ Wheelchair



FRAME COLOR:				
<input type="radio"/>	55018	Black	Wet Black	\$0
<input type="radio"/>	55019	Black	Black Prism	\$0
<input type="radio"/>	55017	Black	Stealth Black	\$0
<input type="radio"/>	55010	Blue	Midnight Blue	\$0
<input type="radio"/>	55011	Blue	Royal Blue	\$0
<input type="radio"/>	55012	Blue	Electric Blueberry	\$0
<input type="radio"/>	55023	Grey	Stealth Grey	\$0
<input type="radio"/>	55053	Green	Agriculture Green	\$0
<input type="radio"/>	55008	Green	Grasshopper Green	\$0
<input type="radio"/>	55054	Green	Neon Green	\$0
<input type="radio"/>	55006	Orange	Sunkissed Orange	\$0
<input type="radio"/>	55005	Orange	Simple Orange	\$0
<input type="radio"/>	55051	Orange	Neon Orange	\$0
<input type="radio"/>	55015	Pink	Bubblegum Pink	\$0
<input type="radio"/>	55057	Pink	Neon Pink	\$0
<input type="radio"/>	55055	Purple	Lilac Purple	\$0
<input type="radio"/>	55001	Red	Simple Red	\$0
<input type="radio"/>	55002	Red	Tangerine Red	\$0
<input type="radio"/>	55003	Red	Raspberry Red	\$0
<input type="radio"/>	55050	Red	Neon Red	\$0
<input type="radio"/>	55020	Silver	Silver Metallic	\$0
<input type="radio"/>	55016	White	White Snow	\$0
<input type="radio"/>	55007	Yellow	Safety Yellow	\$0
<input type="radio"/>	55052	Yellow	Neon Yellow	\$0
<input type="radio"/>	55070	Raw	Buffed Aluminum	\$0

ACCESSORIES:			
STANDARD:			
<input checked="" type="radio"/>	25066	Calf Strap	\$0
UPGRADABLE:			
SAFETY:			
<input type="radio"/>	25004	Rear Frame Protector <i>(Required for Tournament Play)</i>	\$54
POSITIONING:			
<input type="radio"/>	25013	Hook and Loop Strap	\$24
<input type="radio"/>	25001	Click Strap, 8" Small	\$90
<input type="radio"/>	25002	Click Strap, 10" Medium	\$97
<input type="radio"/>	25003	Click Strap, 12" Large	\$109

EXCLUSIONS:																																																																																																																									
Wheels and Tires:	Must choose the same size tires and handrims as wheels.																																																																																																																								
Width and Depth Specifications:	All sizes for Width (W) by Depth (D) that is represented by a red box can not be ordered. <table border="1" style="margin-left: 20px;"> <thead> <tr> <th></th> <th>D10</th> <th>D11</th> <th>D12</th> <th>D13</th> <th>D14</th> <th>D15</th> <th>D16</th> <th>D17</th> <th>D18</th> </tr> </thead> <tbody> <tr><td>W10</td><td></td><td></td><td></td><td></td><td></td><td></td><td></td><td></td><td></td></tr> <tr><td>W11</td><td></td><td></td><td></td><td></td><td></td><td></td><td></td><td></td><td></td></tr> <tr><td>W12</td><td></td><td></td><td></td><td></td><td></td><td></td><td></td><td></td><td></td></tr> <tr><td>W13</td><td></td><td></td><td></td><td></td><td></td><td></td><td></td><td></td><td></td></tr> <tr><td>W14</td><td></td><td></td><td></td><td></td><td></td><td></td><td></td><td></td><td></td></tr> <tr><td>W15</td><td></td><td></td><td></td><td></td><td></td><td></td><td></td><td></td><td></td></tr> <tr><td>W16</td><td></td><td></td><td></td><td></td><td></td><td></td><td></td><td></td><td></td></tr> <tr><td>W17</td><td></td><td></td><td></td><td></td><td></td><td></td><td></td><td></td><td></td></tr> <tr><td>W18</td><td></td><td></td><td></td><td></td><td></td><td></td><td></td><td></td><td></td></tr> <tr><td>W19</td><td></td><td></td><td></td><td></td><td></td><td></td><td></td><td></td><td></td></tr> <tr><td>W20</td><td></td><td></td><td></td><td></td><td></td><td></td><td></td><td></td><td></td></tr> </tbody> </table>		D10	D11	D12	D13	D14	D15	D16	D17	D18	W10										W11										W12										W13										W14										W15										W16										W17										W18										W19										W20									
	D10	D11	D12	D13	D14	D15	D16	D17	D18																																																																																																																
W10																																																																																																																									
W11																																																																																																																									
W12																																																																																																																									
W13																																																																																																																									
W14																																																																																																																									
W15																																																																																																																									
W16																																																																																																																									
W17																																																																																																																									
W18																																																																																																																									
W19																																																																																																																									
W20																																																																																																																									

DEFINITIONS:	
Assembly and Shipping:	Arrives factory assembled, rear wheels and some accessories will need to be installed. Shipping rate is \$150 for all shipments in the continental US. Freight quotes for shipments outside the continental US are available upon request.
Leather Flaps with Aluminum Dome Plugs:	When the Leather Upgrade is chosen the flaps (part of the upholstery that goes down over the back posts) will be made of leather. Also, the caps on the backrest post will be aluminum. This is used to help reinforce the back upholstery and help prevent tearing.

Warranty Info:

Invacare warrants the frames when purchased new and unused to be free from defects in materials and workmanship for a period of three (3) years from the date of purchase from Invacare or a dealer, with a copy of the seller's invoice required for coverage under this warranty. Invacare warrants the upholstered materials (seat and back) and remaining components of this product when purchased new and unused to be free from defects in materials and workmanship for a period of thirteen (13) months from date of purchase from Invacare or a dealer, with a copy of the seller's invoice required for coverage under this warranty.

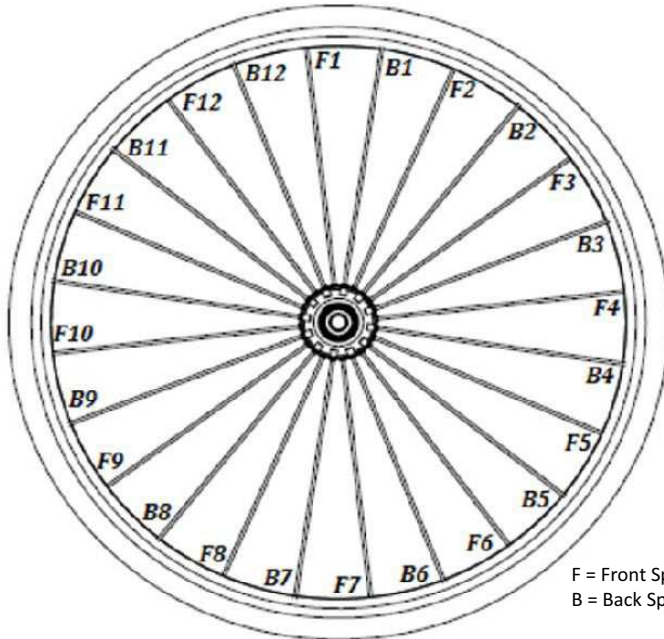
Note: All special requests are subject to approval, additional charges, and additional lead time.

Special Request 1)	
Special Request 2)	
Special Request 3)	
Special Request 4)	
Special Request 5)	

Invacare Corporation Top End Division

All rights reserved. Trademarks are identified by the symbols ™ and ®. All trademarks are owned by or licensed to Invacare Corporation unless otherwise noted. Specifications and prices are subject to change without notification.

Invacare® Top End® Pro Basketball™ Wheelchair



F = Front Spoke
B = Back Spoke

CUSTOM SPINERGY SLX:	
Wheel Size	
Hub Color	

CUSTOM SPINERGY SLX:	
Spoke Color:	
F1	
B1	
F2	
B2	
F3	
B3	
F4	
B4	
F5	
B5	
F6	
B6	
F7	
B7	
F8	
B8	
F9	
B9	
F10	
B10	
F11	
B11	
F12	
B12	



F = Front Spoke
B = Back Spoke

CUSTOM SPINERGY XSLX:	
Wheel Size	
Hub Color	

CUSTOM SPINERGY XSLX:	
Spoke Color:	
F1	
B1	
F2	
B2	
F3	
B3	
F4	
B4	
F5	
B5	
F6	
B6	
F7	
B7	
F8	
B8	
F9	
B9	
F10	
B10	
F11	
B11	
F12	
B12	

Invacare Corporation Top End Division

All rights reserved. Trademarks are identified by the symbols ™ and ®. All trademarks are owned by or licensed to Invacare Corporation unless otherwise noted. Specifications and prices are subject to change without notification.