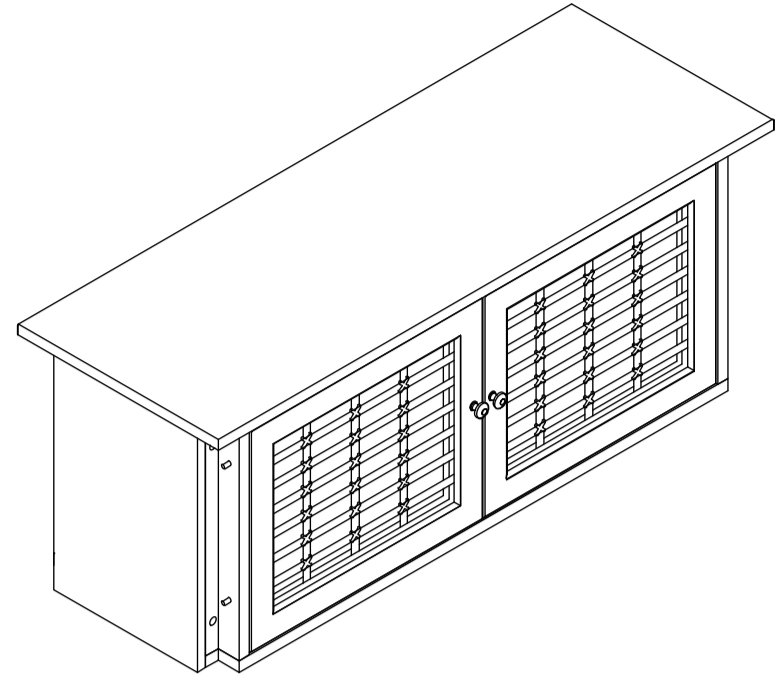


# ASSEMBLY INSTRUCTION

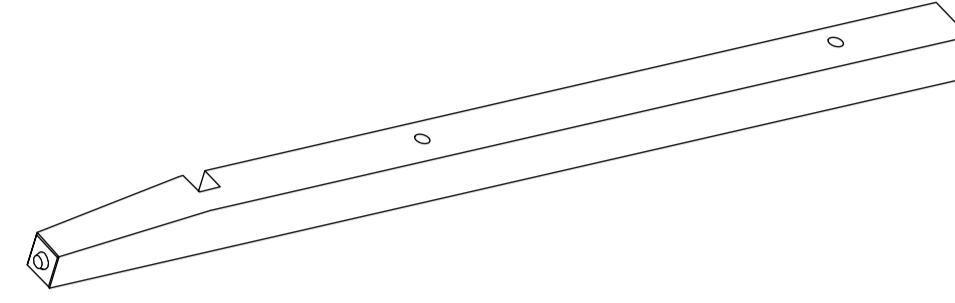
## 2-DOOR SERVER

**A** Server Top



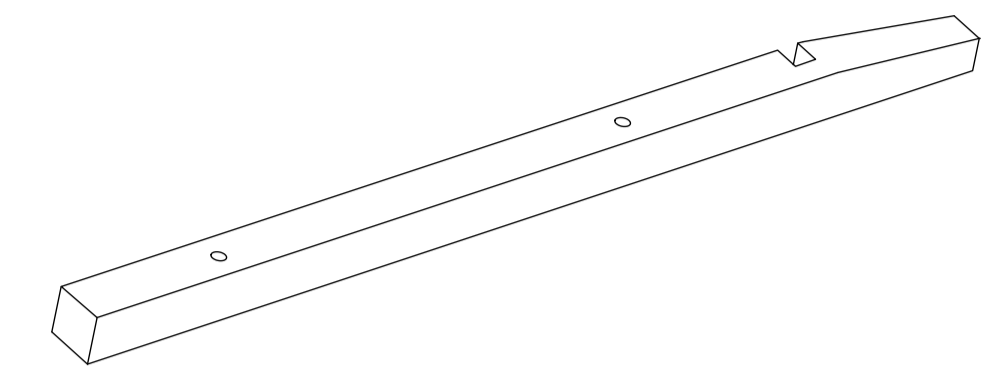
1 PC

**B** Leg B



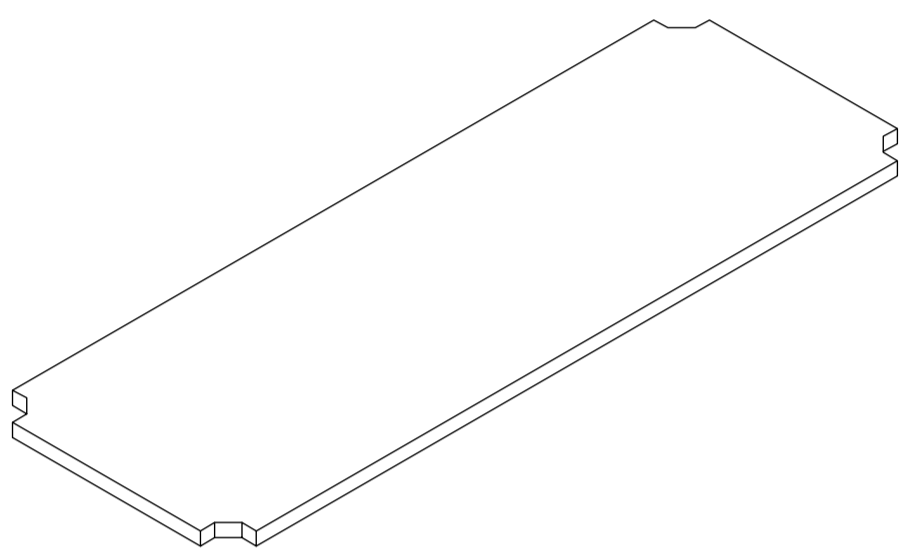
2 PCS

**C** Leg C



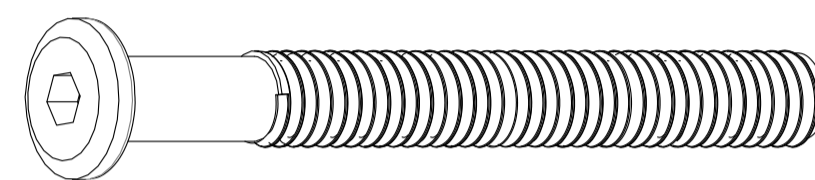
2 PCS

**D** Shelf



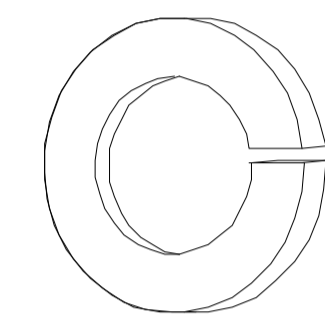
1 PC

**E** Bolt  
Ø1/4" x 38mm



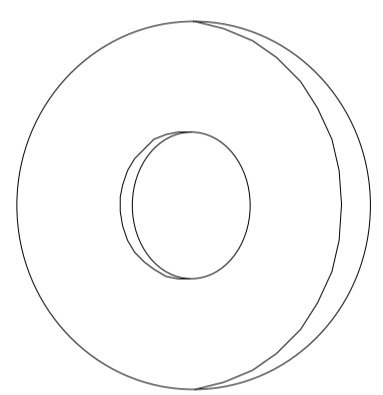
8 PCS

**F** Spring Washer  
Ø1/4" x Ø13mm x 2mm



8 PCS

**G** Flat Washer  
Ø1/4" x Ø19mm x 2mm



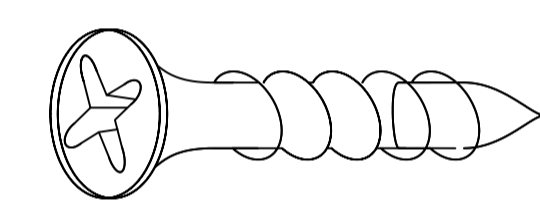
8 PCS

**H** Allen Wrench  
4mm



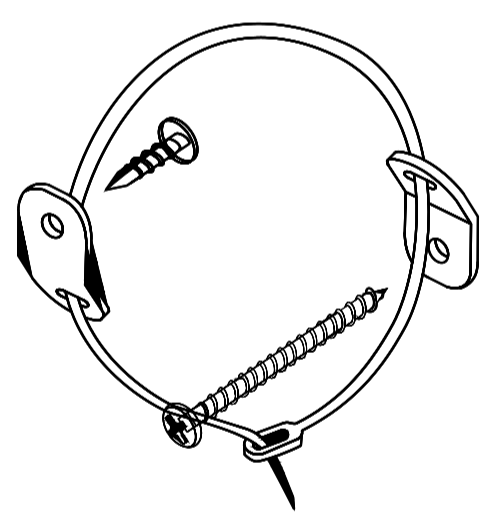
1 PC

**I** Wood Screw  
#1/4" x 38mm

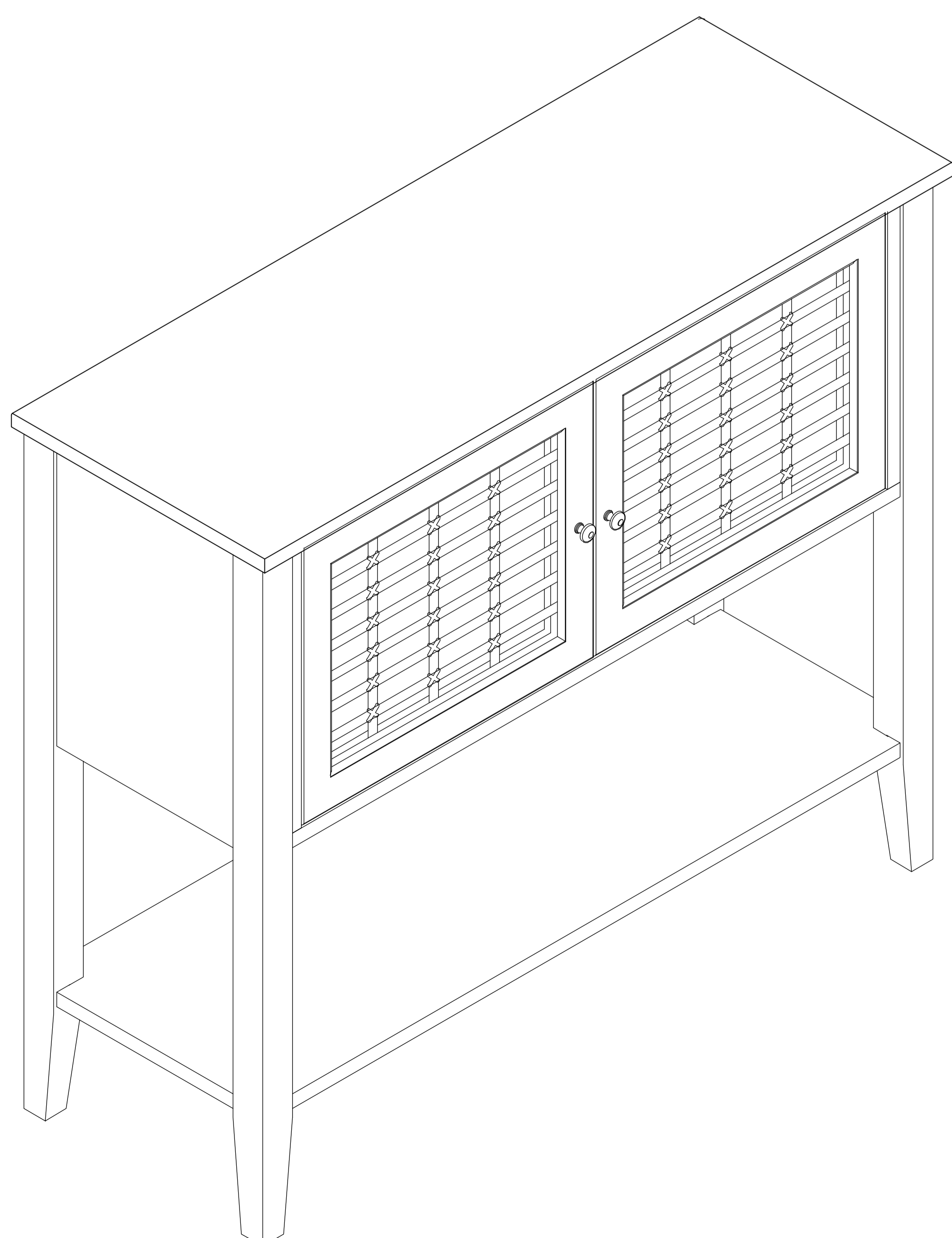


4 PCS

**J** Anti-Tip Kit  
(With Individual AI)

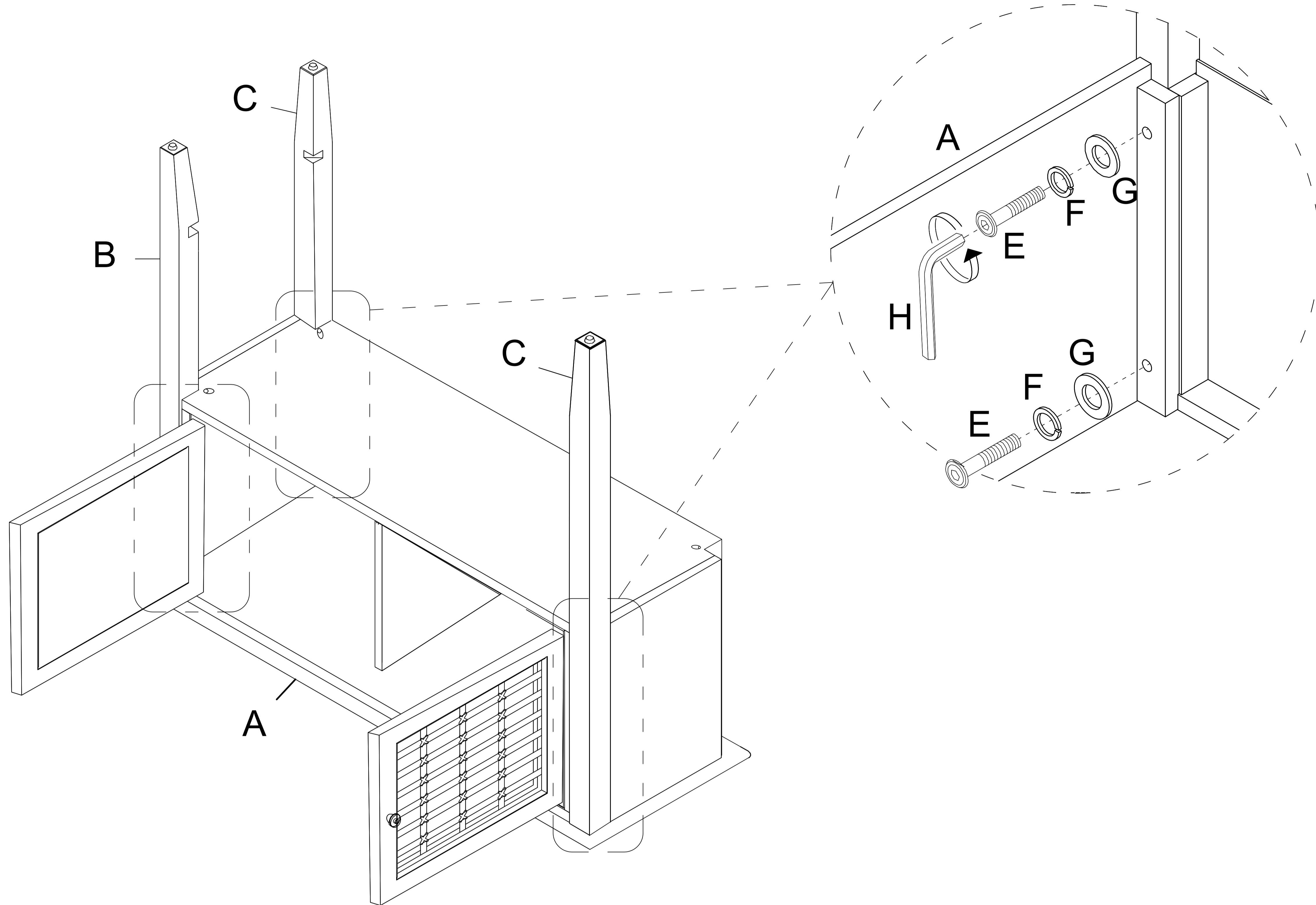


1 SET

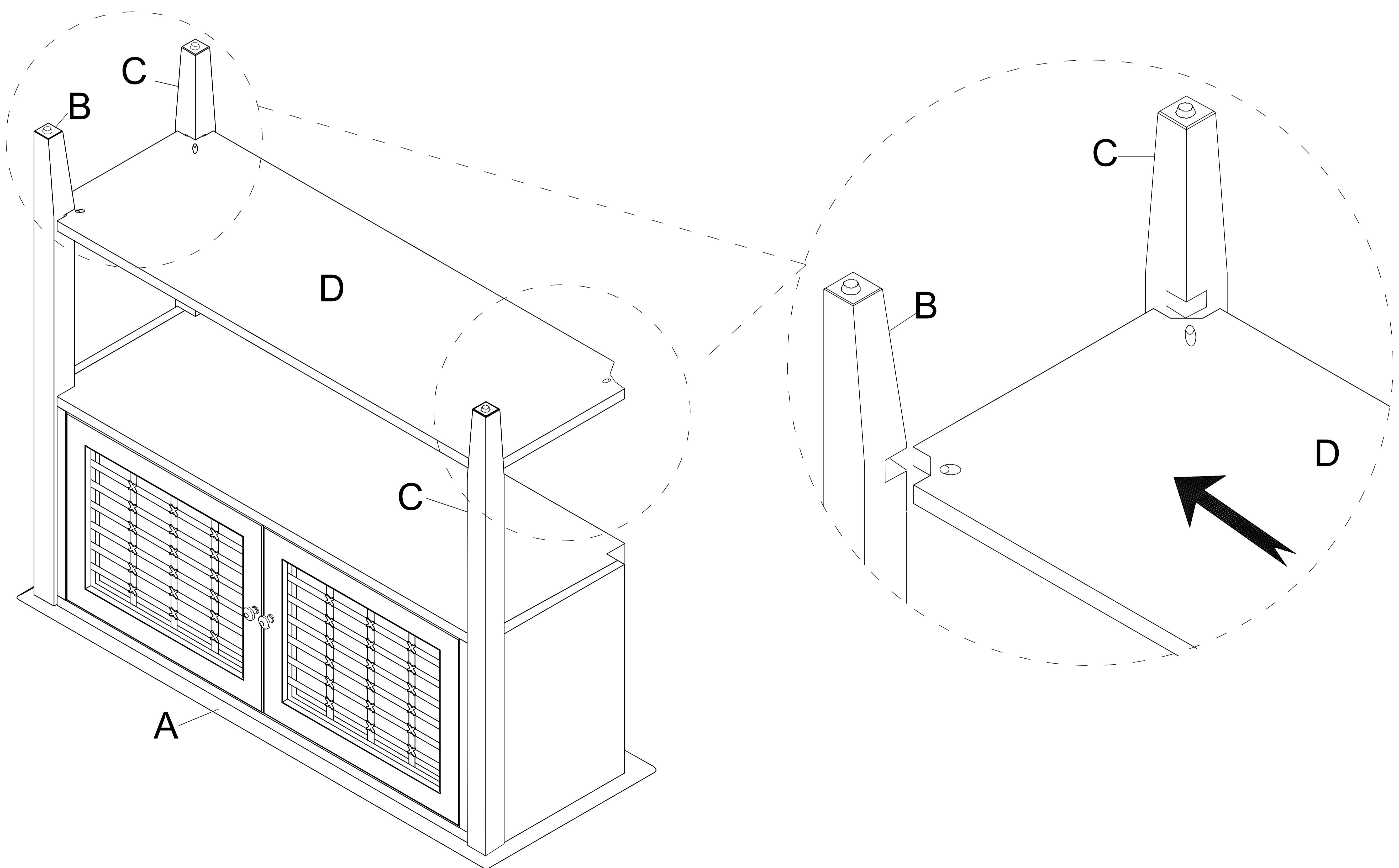


This page lists all the contents included in the box. Please take the time to identify the hardware as well as the individual components to this product. As you unpack and prepare for assembly, place the contents on a carpeted or padded area to protect them from damage.

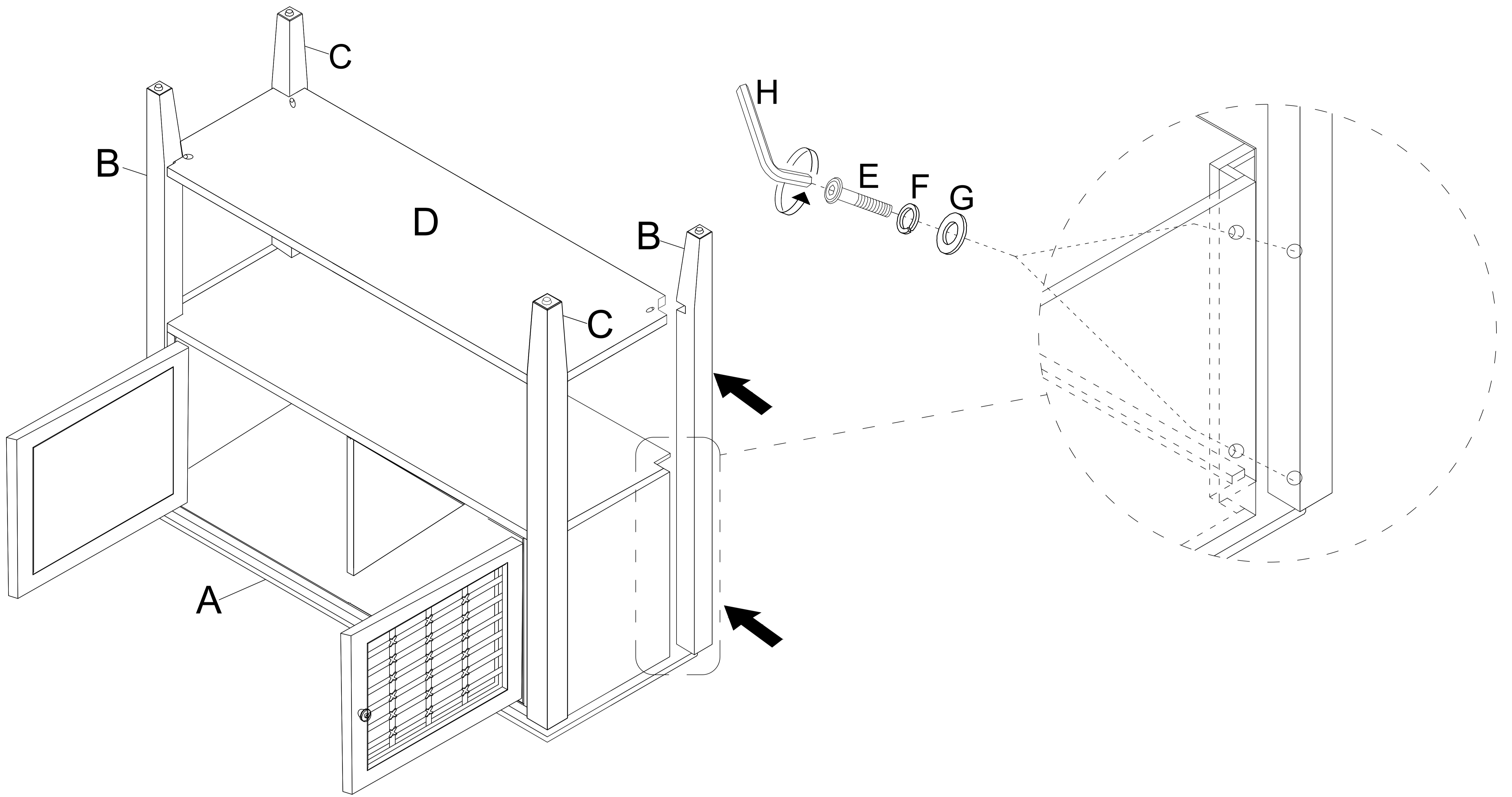
**1** Attach Leg (B & C) to Server Top (A) using Bolt (E), Spring Washer (F) and Flat Washer (G) with Allen Wrench (H). Do not fully tighten the bolts in this step.



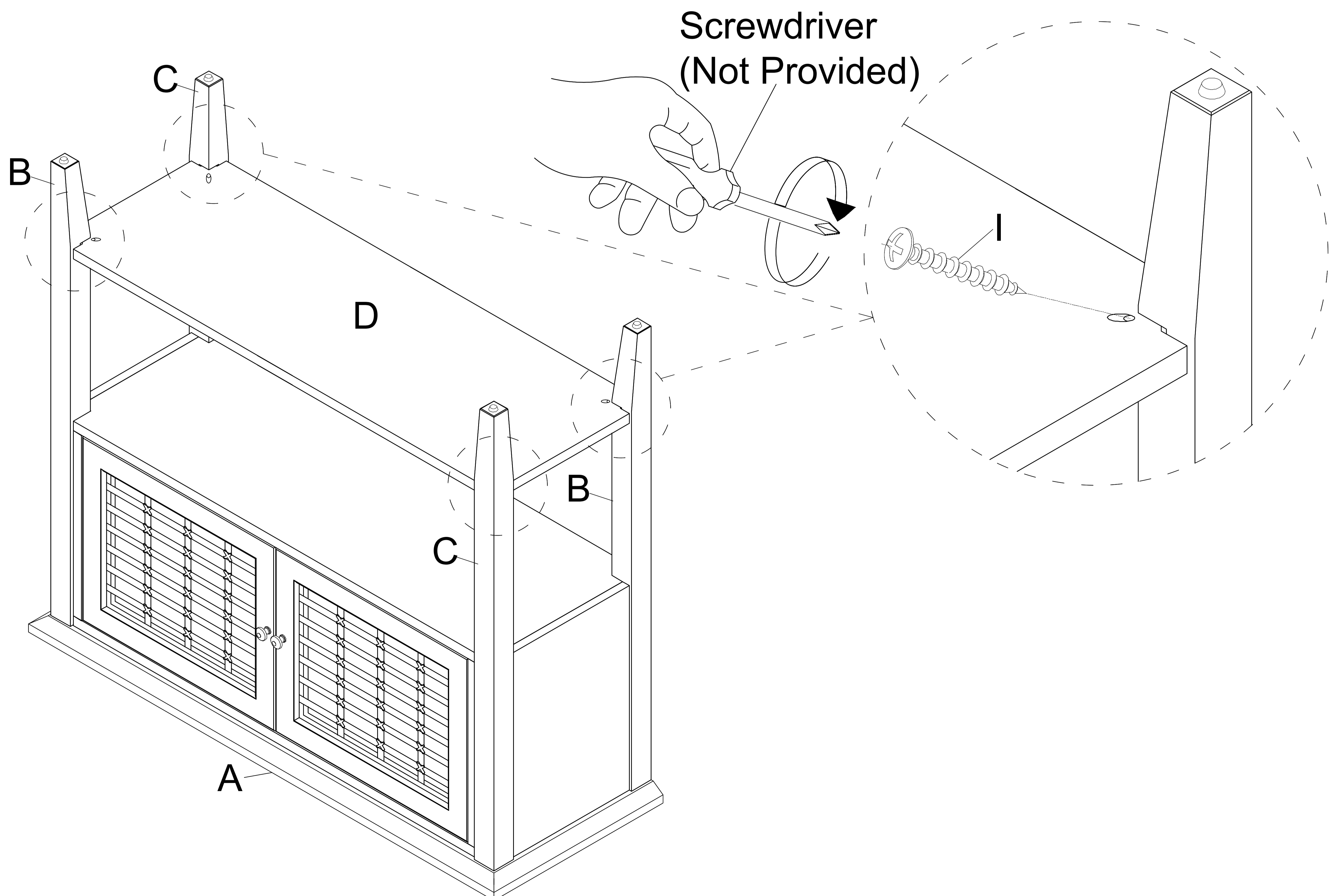
**2** Insert Shelf (D) into the groove of Leg (B & C)



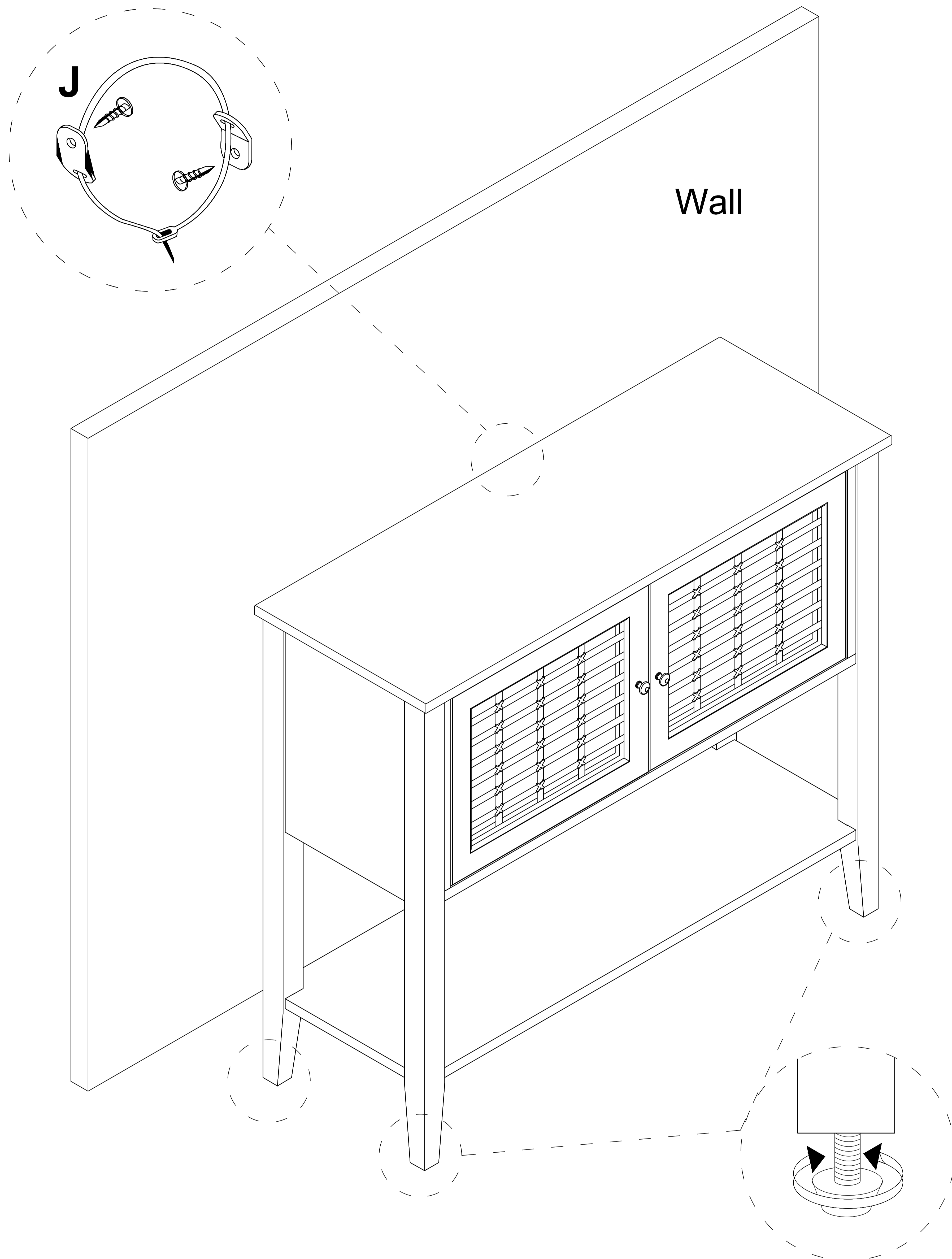
**3** Attach Leg (B) to Server Top (A) using Bolt (E), Spring Washer (F) and Flat Washer (G) with Allen Wrench (H). Fully tighten all the bolts in this step.



**4** Fix Shelf (D) to Leg (B & C) using Wood Screw (I) with Screwdriver (Not Provided).



**5** To prevent tipping, please attach the product to the wall with Anti-Tip Kit (J). Refer to the Assembly Instructions for Anti-Tip Kit (J) and install it on the product's back.



Turn left or turn right to adjust the leveler until the server is stabilized.

### Cleaning & Care

Treat surfaces with care. Surfaces are resistant to scratches but are not scratch resistant. Clean surfaces with a dry or damp soft cloth. Do not use abrasive cleaners. Hardware may loosen over time. Periodically check that all connections are tight.