

Features

- Fits minimum 24" (610 mm) apron sink base cabinet
- Single bowl
- 8-5/8" depth
- Integral apron and backsplash
- Two faucet holes
- Requires K-1814-P and service part 63001 for wall-mount installation (sold separately)

Material

- Vitreous china

Installation

- Wall-mount or top-mount apron-front

Required Products/Accessories

[K-1814-P](#) Wall-Mount Sink Brackets
63001 Bracket Tie Bar

Recommended Products/Accessories

K-23726 Drain treatment

Optional Products/Accessories

K-8803 Manual Sink Basket Strainer
K-8804 Sink drain body with tailpiece
K-8813 Stainless steel sink drain and strainer with tailpiece
K-8814 Stainless steel sink drain and strainer
K-8807 Sink drain and strainer with tailpiece
K-11352 Disposal Flange with Stopper
K-9000 P-Trap



Codes/Standards

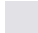
ASME A112.19.2/CSA B45.1

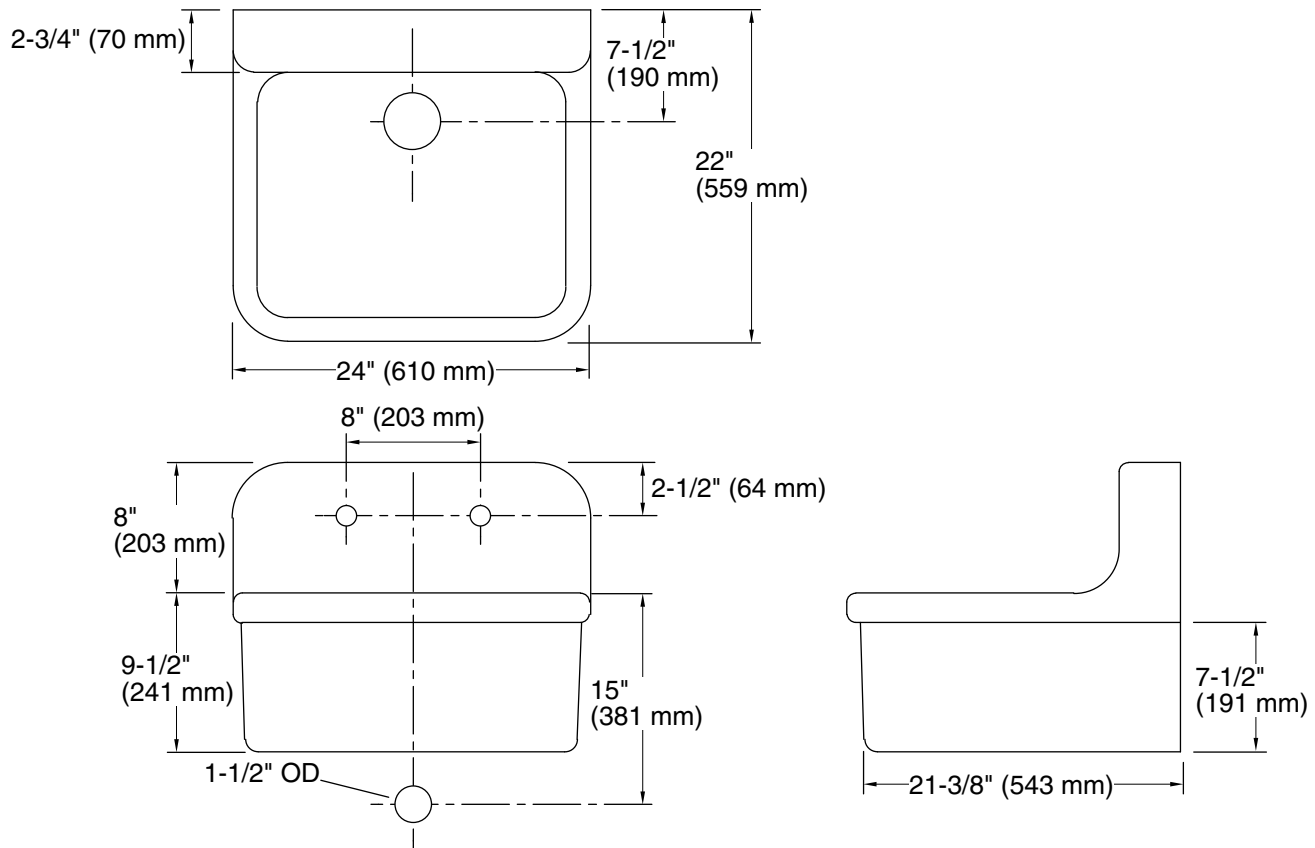
KOHLER® One-Year Limited Warranty

See website for detailed warranty information.

Available Colors/Finishes

Color tiles intended for reference only.

Color	Code	Description
	0	White



Technical Information

All product dimensions are nominal.

Basin configuration: Single Bowl
 Min. base cabinet width: 24" (610 mm)

Bowl area: Bowl depth: 8-5/8" (219 mm)

Number of deck holes: 2

Faucet hole(s): 1-3/8" (35 mm)

Drain hole: 3-5/8" (92 mm)

Notes

Install this product according to the installation instructions.