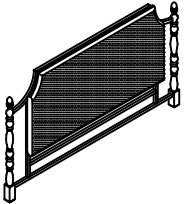
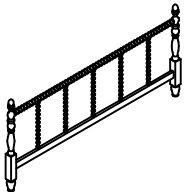
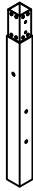
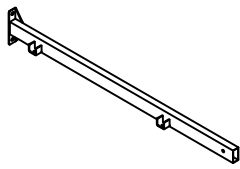
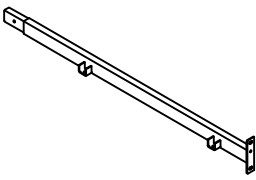
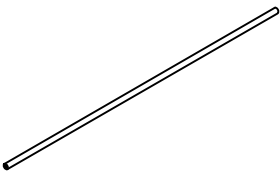
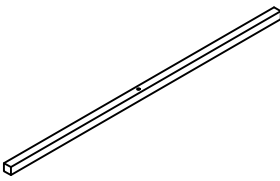
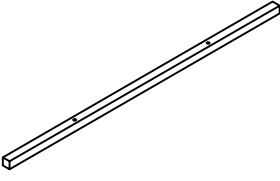
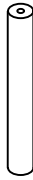
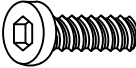
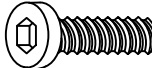


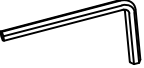


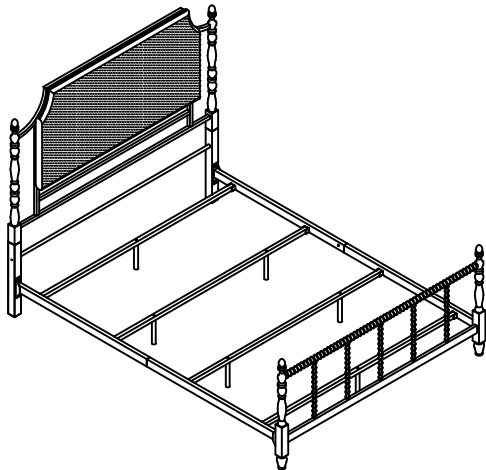


ASSEMBLY INSTRUCTION

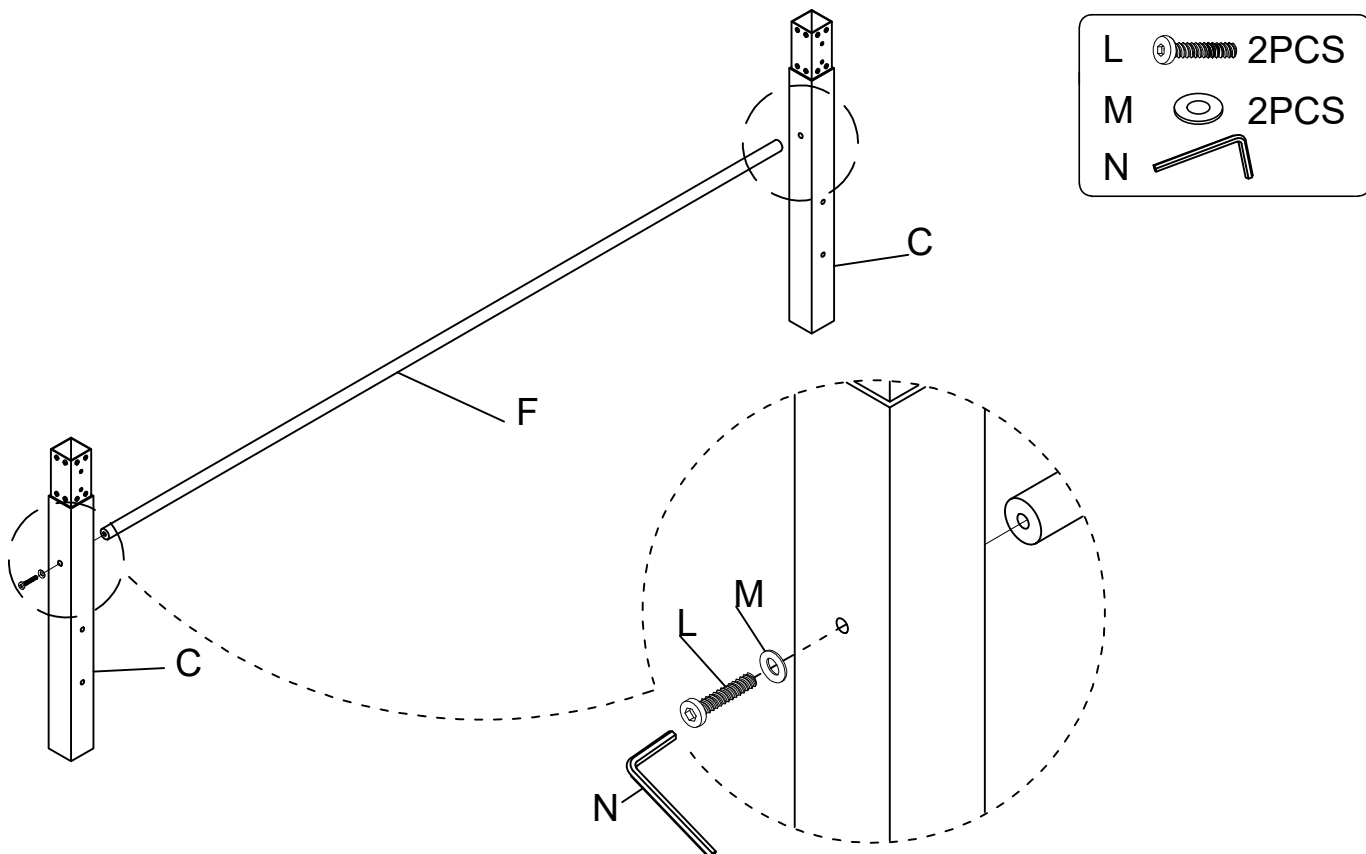
QUEEN BED

| | | | |
|---|---|---|--|
| A Headboard  1pc | B Footboard  1pc | C Extension Leg  2pcs | D Side Rail - Front  2pcs |
| E Side Rail - Rear  2pcs | F Bar  1pc | G Slat - Front / Rear  2pcs | H Slat - Center  2pcs |
| I Support Leg  6pcs | J Bolt $\text{Ø}1/4" \times 5/8"$  22pcs | K Bolt $\text{Ø}1/4" \times 1-3/4"$  6pcs | L Bolt $\text{Ø}1/4" \times 2-3/4"$  6pcs |
| M Flat Washer $\text{Ø}16\text{mm}$  38pcs | N Allen Key M4  1pc | O Nut $\text{Ø}1/4" \times 11.3\text{mm}$  4pcs | P Wrench 11.3MM  1pc |

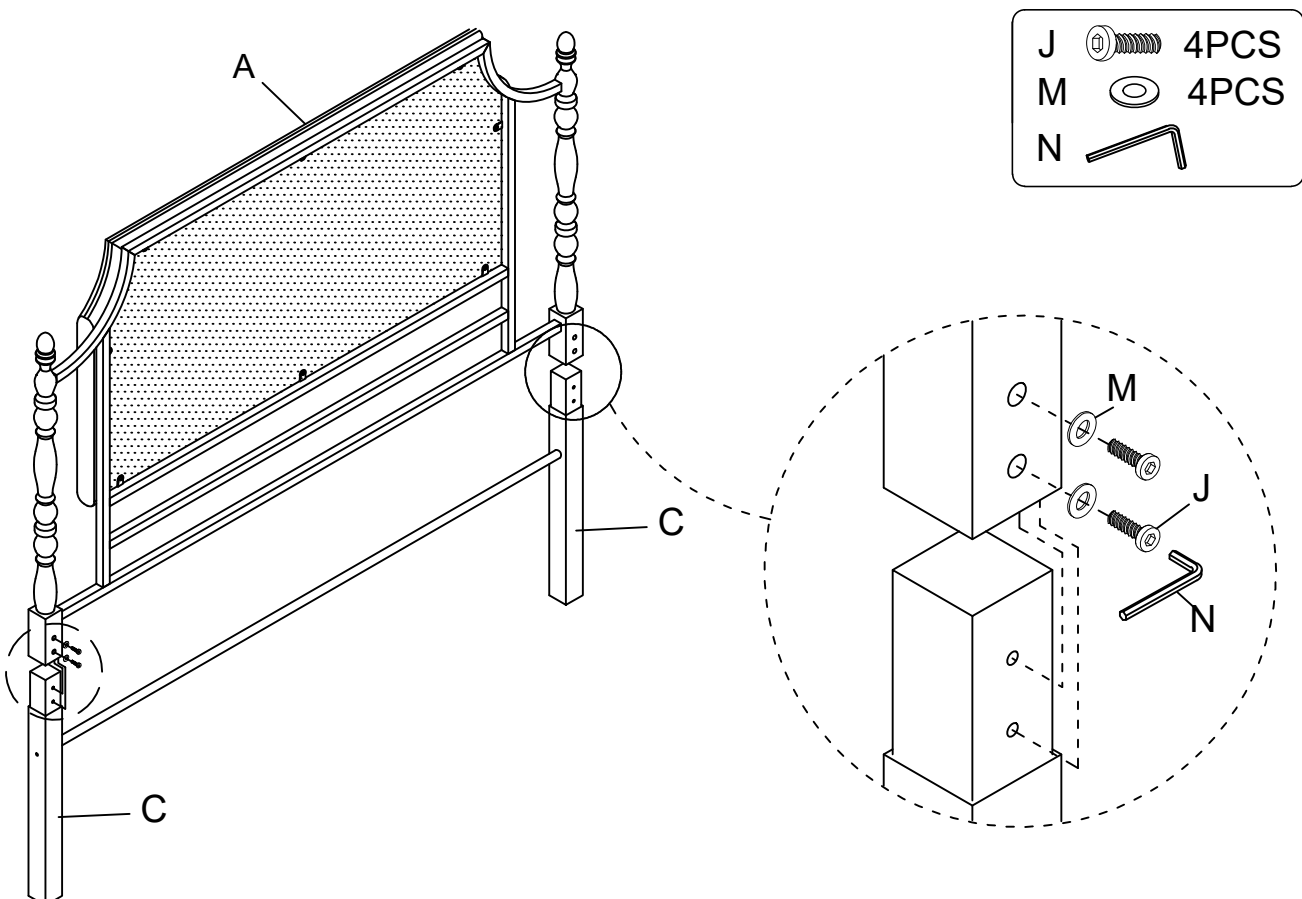


This page lists all the contents included in the box. Please take the time to identify the hardware as well as the individual components to this product. As you unpack and prepare for assembly, place the contents on a carpeted or padded area to protect them from damage.

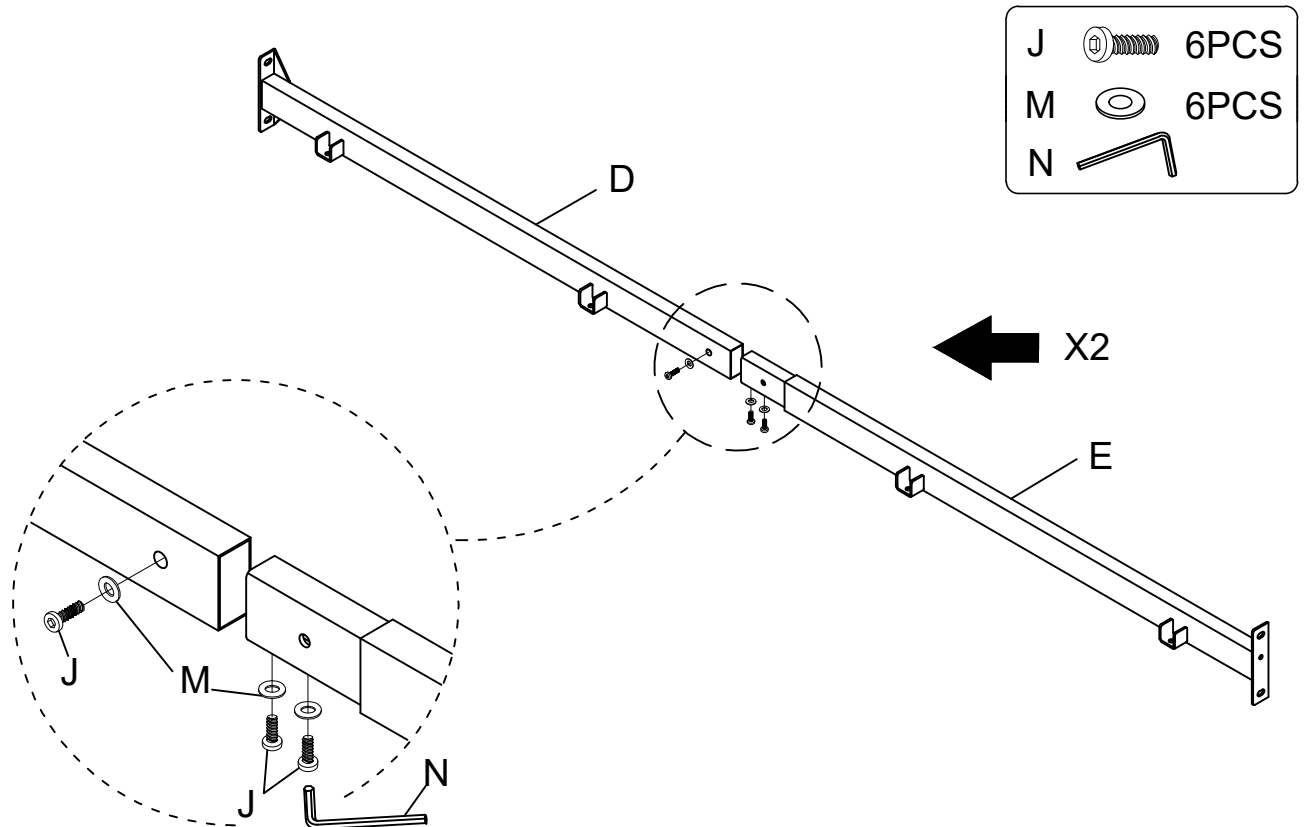
1 Assemble Bar (F) to the Extension Leg (C) with Bolt (L) and Flat Washer (M), then fasten by Allen Key (N).



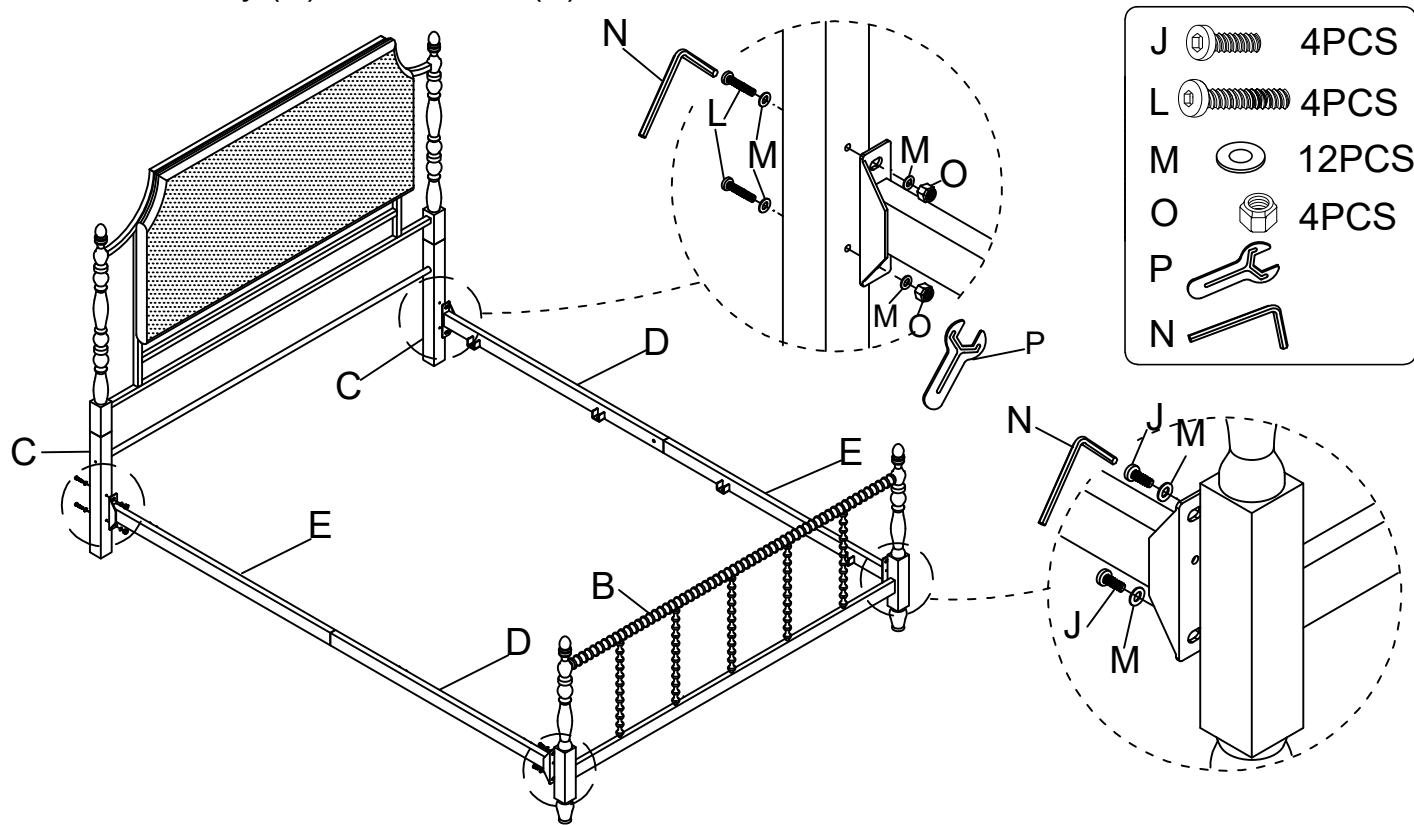
2 Attach the Headboard (A) to the Extension Leg (C) with Bolt (J) and Flat Washer (M), then fasten by Allen Key (N).



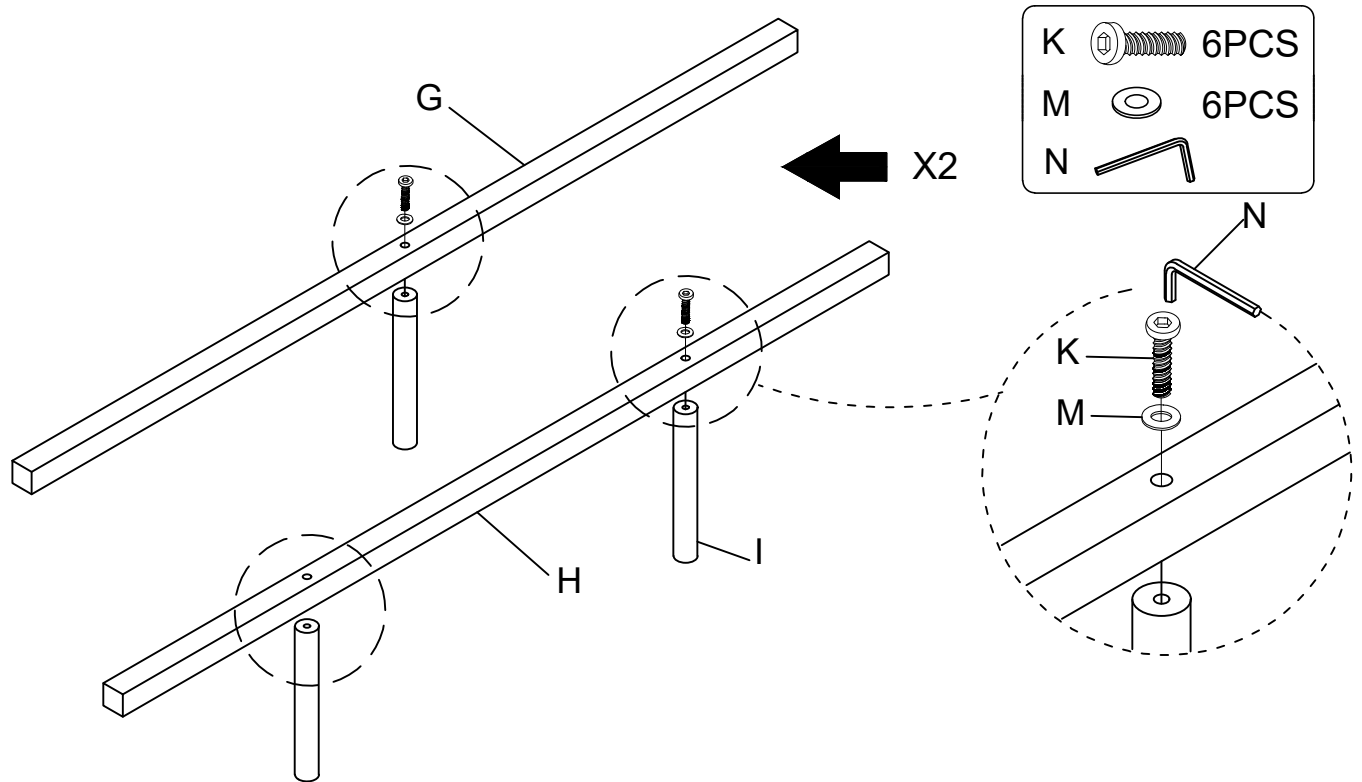
3 Connect both Side Rail - Front (D) & Side Rail - Rear (E) using Bolt (J) and Flat Washer (M) by Allen Key (N) as picture shown.



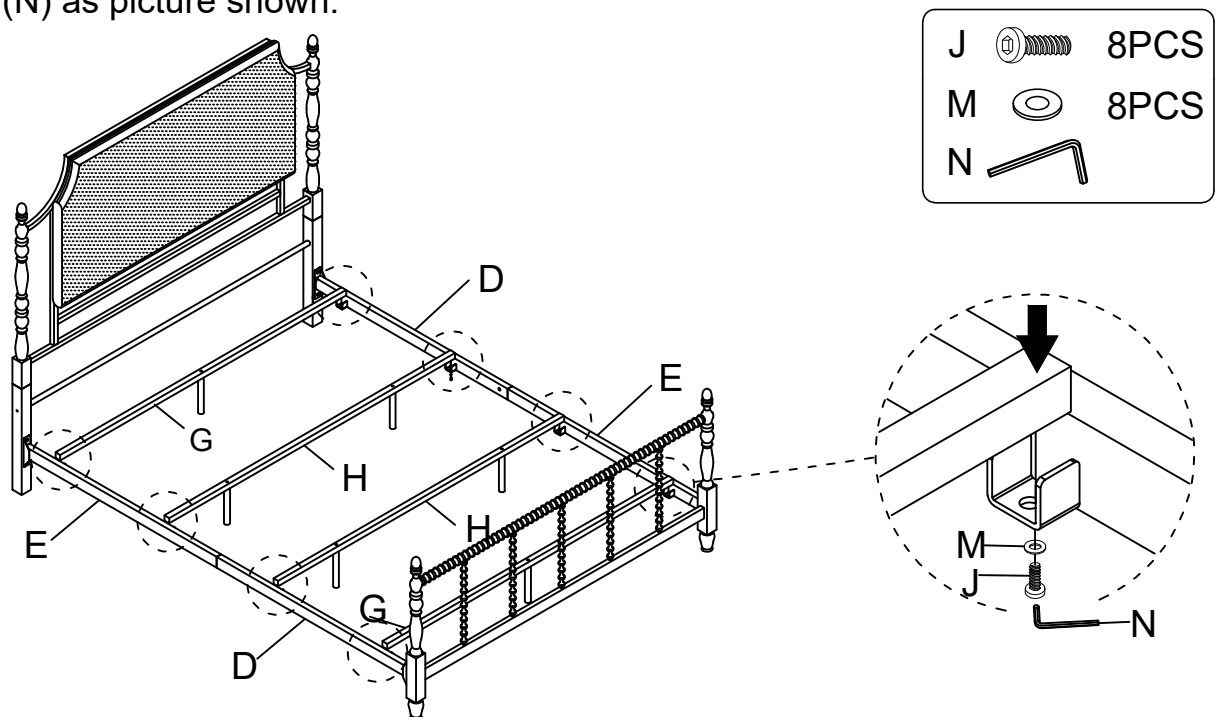
4 Attach the assembled Side Rail - Front (D) & Side Rail - Rear (E) to Extension Leg (C) and Footboard (B) using Bolt (J), Bolt (L), Flat Washer (M) and Nut (O) by Allen Key (N) and Wrench (P).



5 Attach the Support Leg (I) to Slat - Front / Rear (G) and Slat - Center (H) using Bolt (K) and Flat Washer (M) by Allen Key (N) as picture shown.



6 Attach the pre-assembled Slat - Front / Rear (G) and Slat - Center (H) to Side Rail - Front (D) & Side Rail - Rear (E) using Bolt (J), Flat Washer (M) by Allen Key (N) as picture shown.



Adjust any parts out of alignment and tighten all bolts and screws from steps 1 through 6.

Cleaning & Care

Treat surface with care. Surface is resistant to scratches but is not scratch resistant. Clean surfaces with a dry or damp soft cloth. Do not use abrasive cleaners. Hardware may loosen over time. Periodically check that all connections are tight.