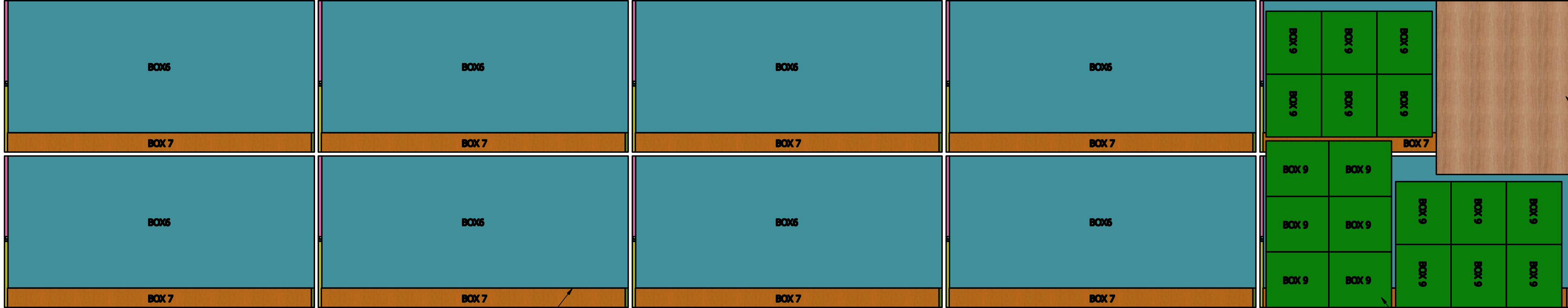


2504776 & 2504776-V HENLEY 4-6P CABIN SAUNA Container Loading Diagram

(1 set=9 boxes 36 sets/40HQ, 21 pallets/ 40HQ, Gross Weight: 15544kg)

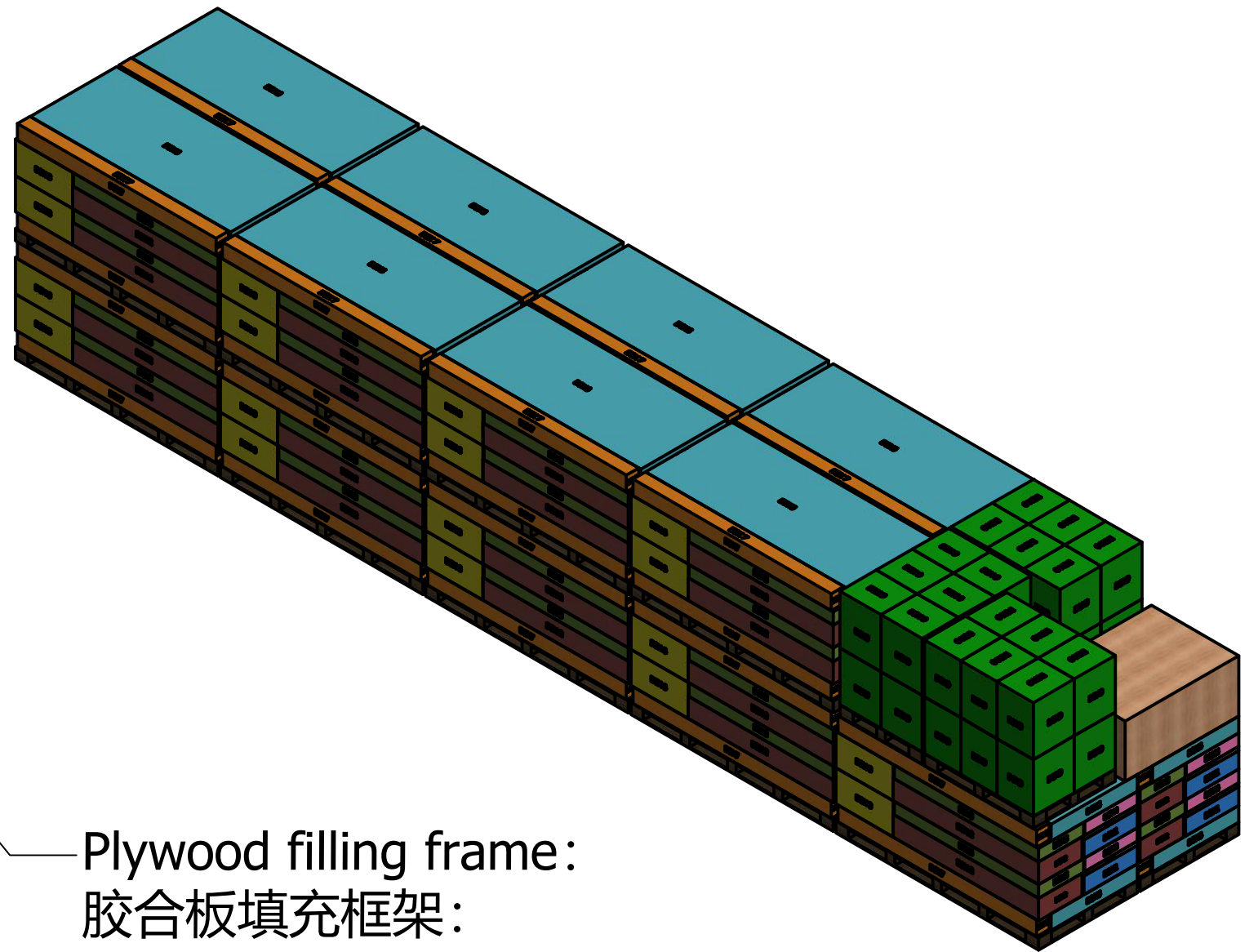
Top view



Pallet A * 18

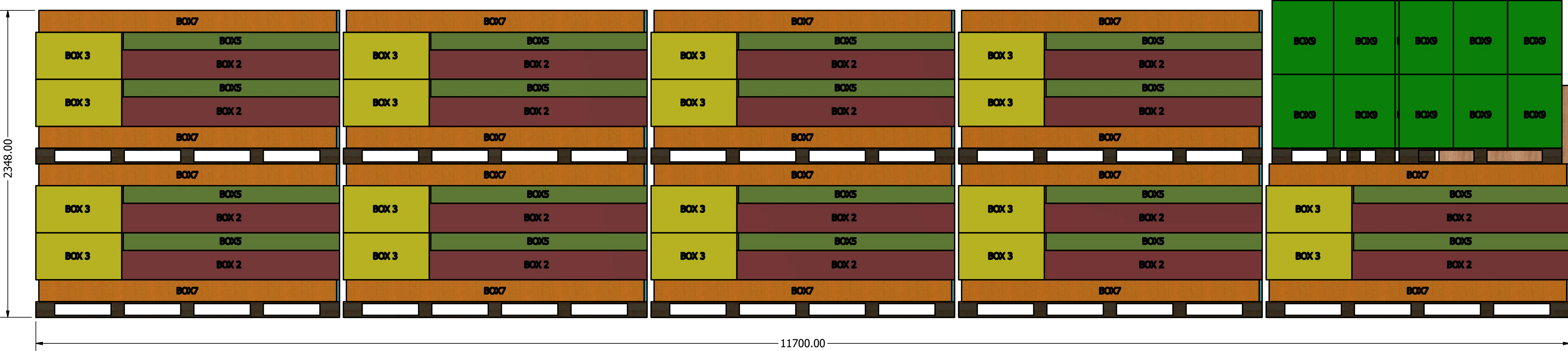
Pallet B * 3

使用塑钢带与底部对应的Pallet A在长度方向进行固定,避免运输过程中滑动。

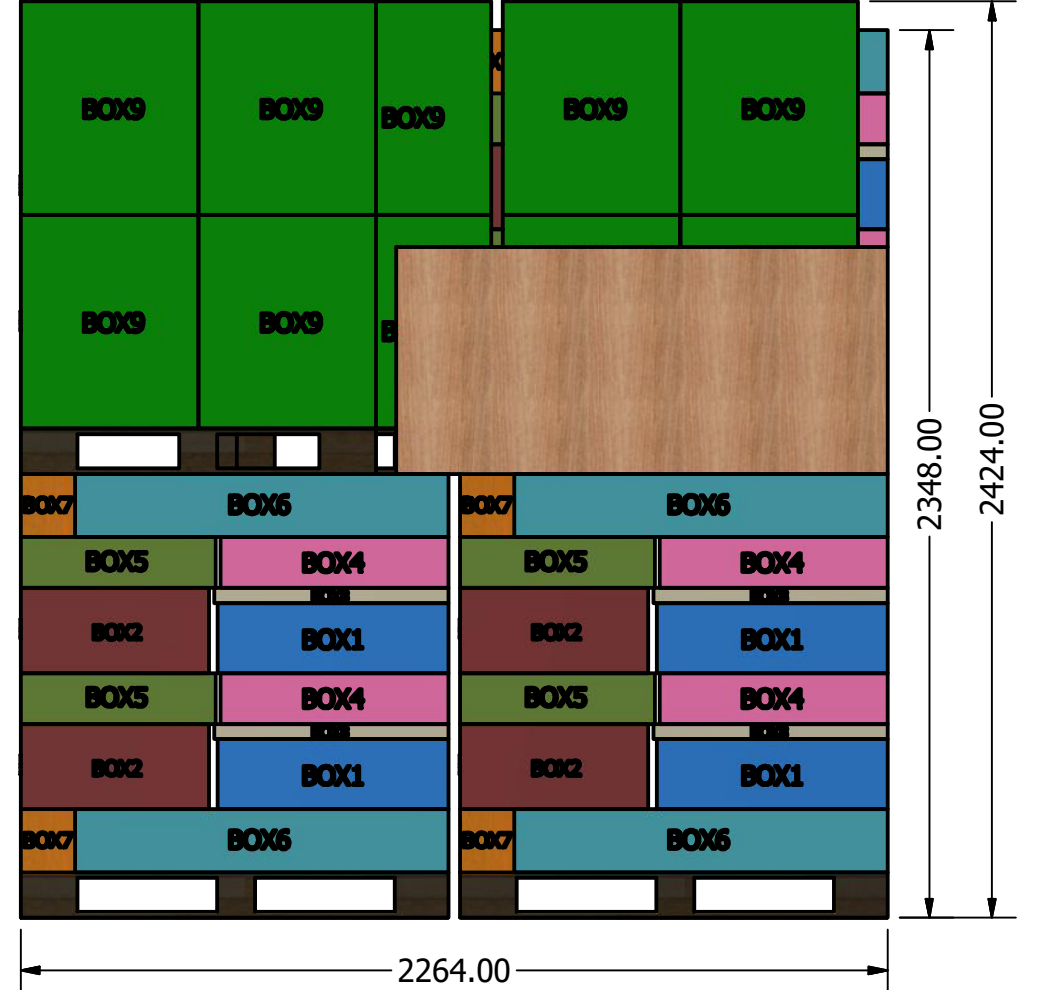


Plywood filling frame:
胶合板填充框架:
1300mm*1000mm*600mm

Side view

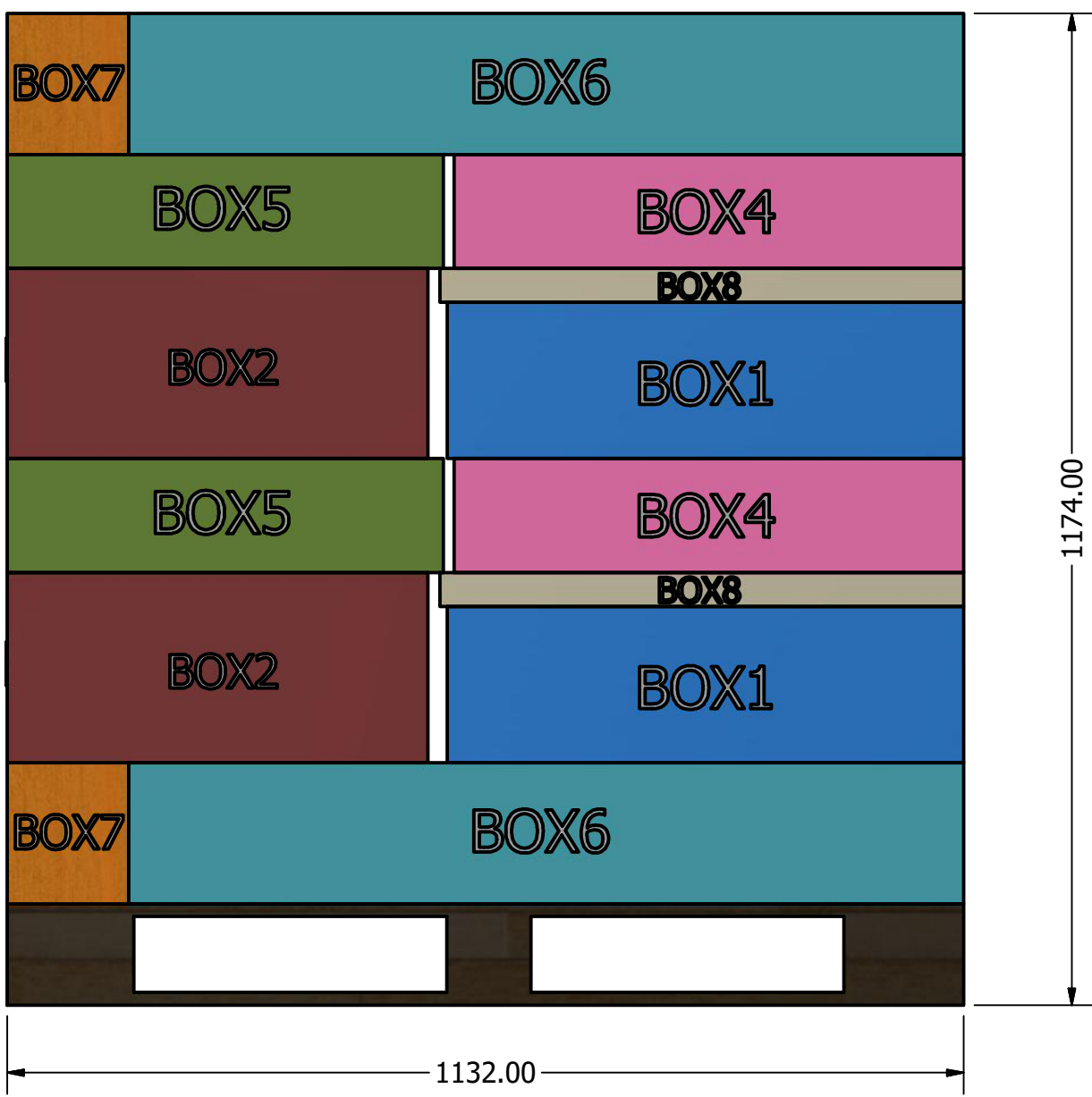
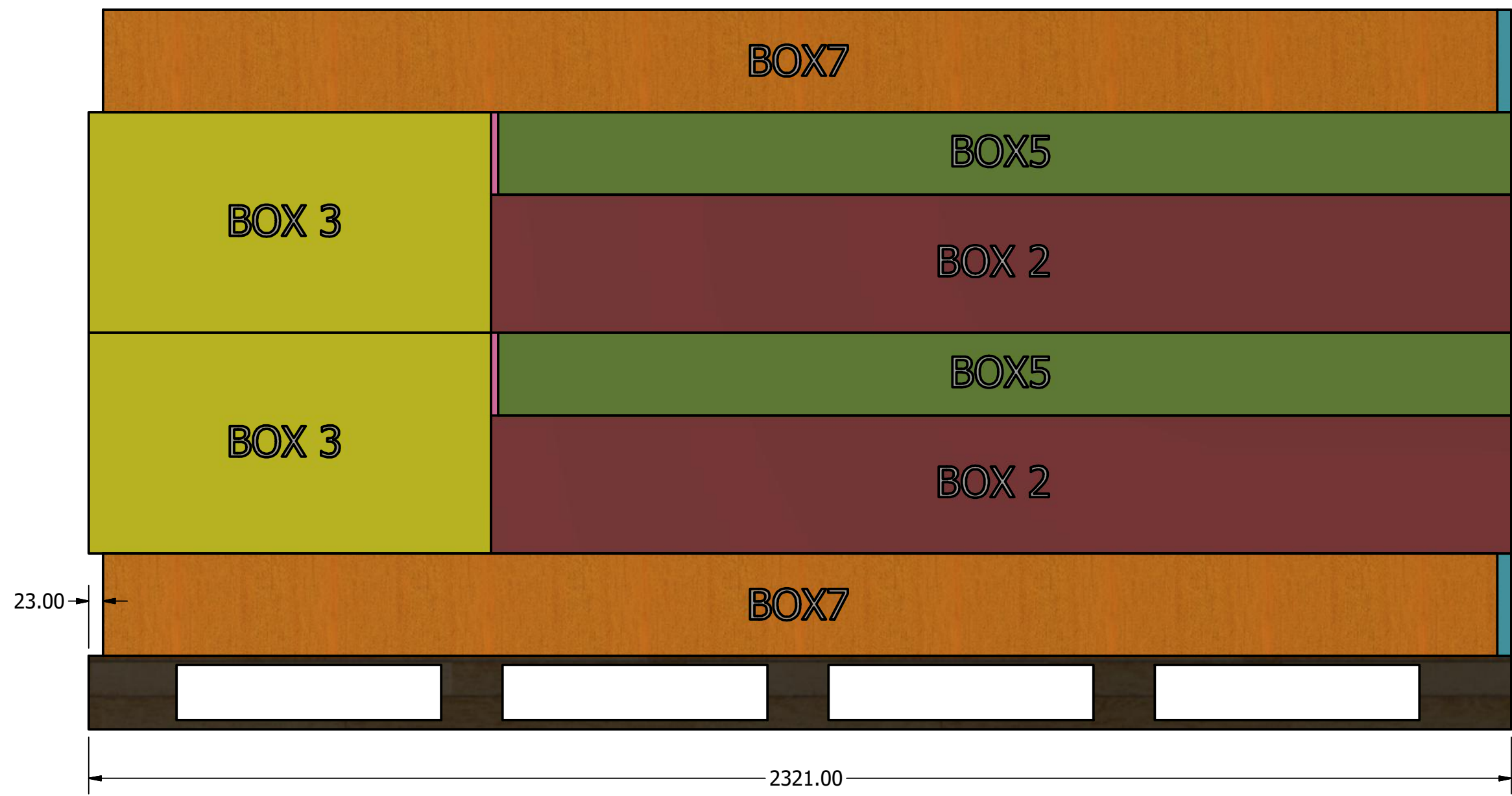
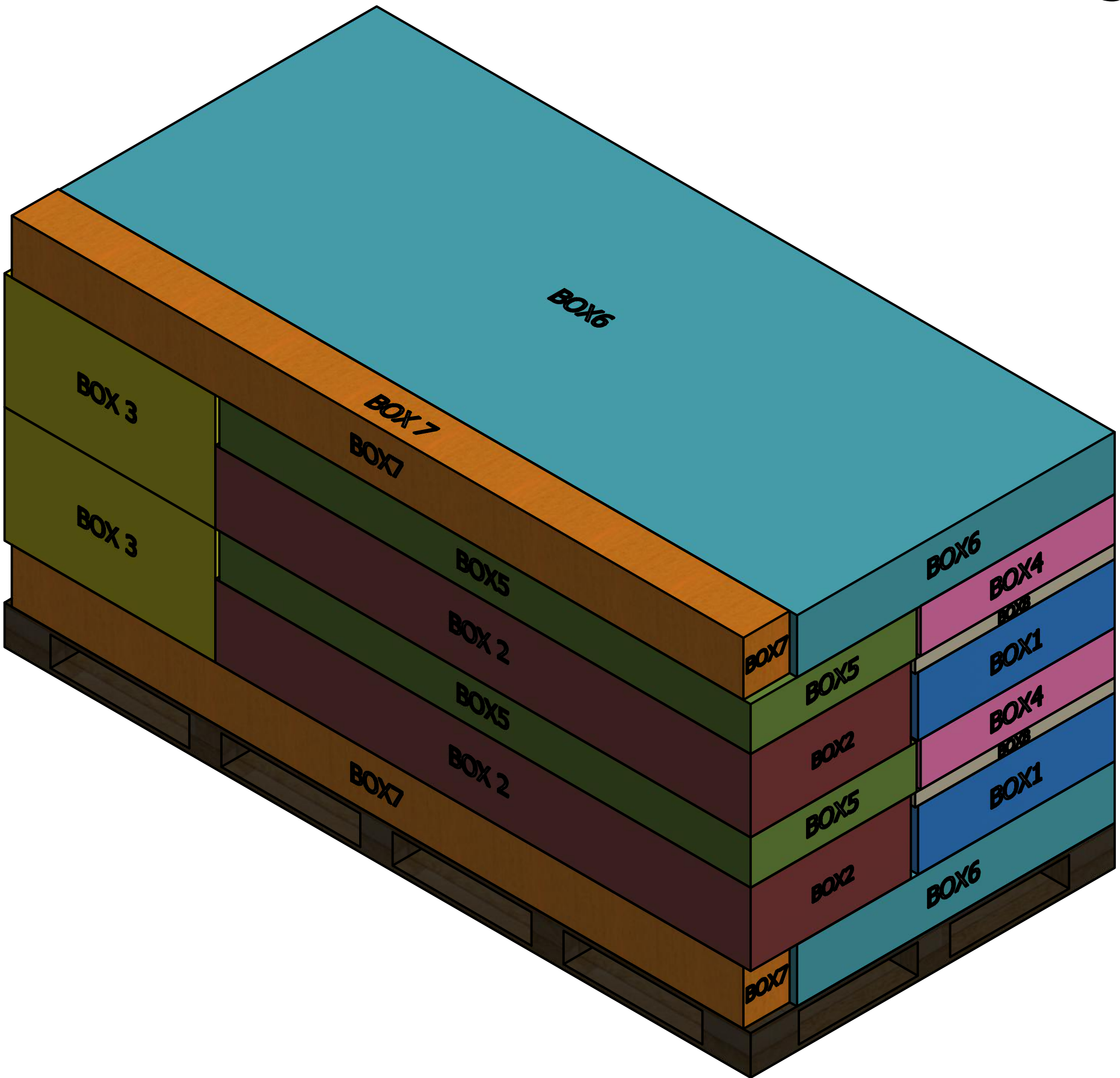
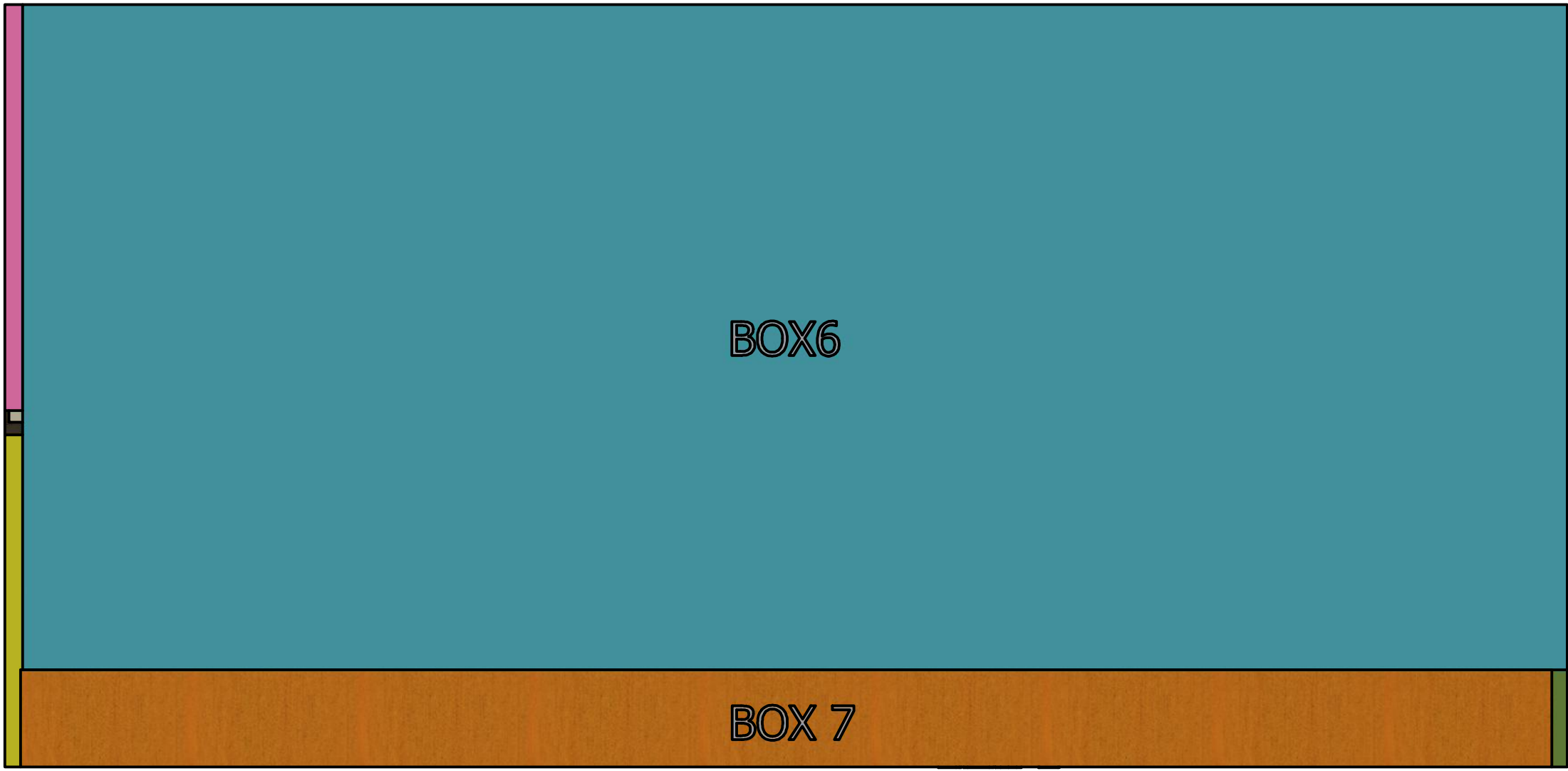


End view



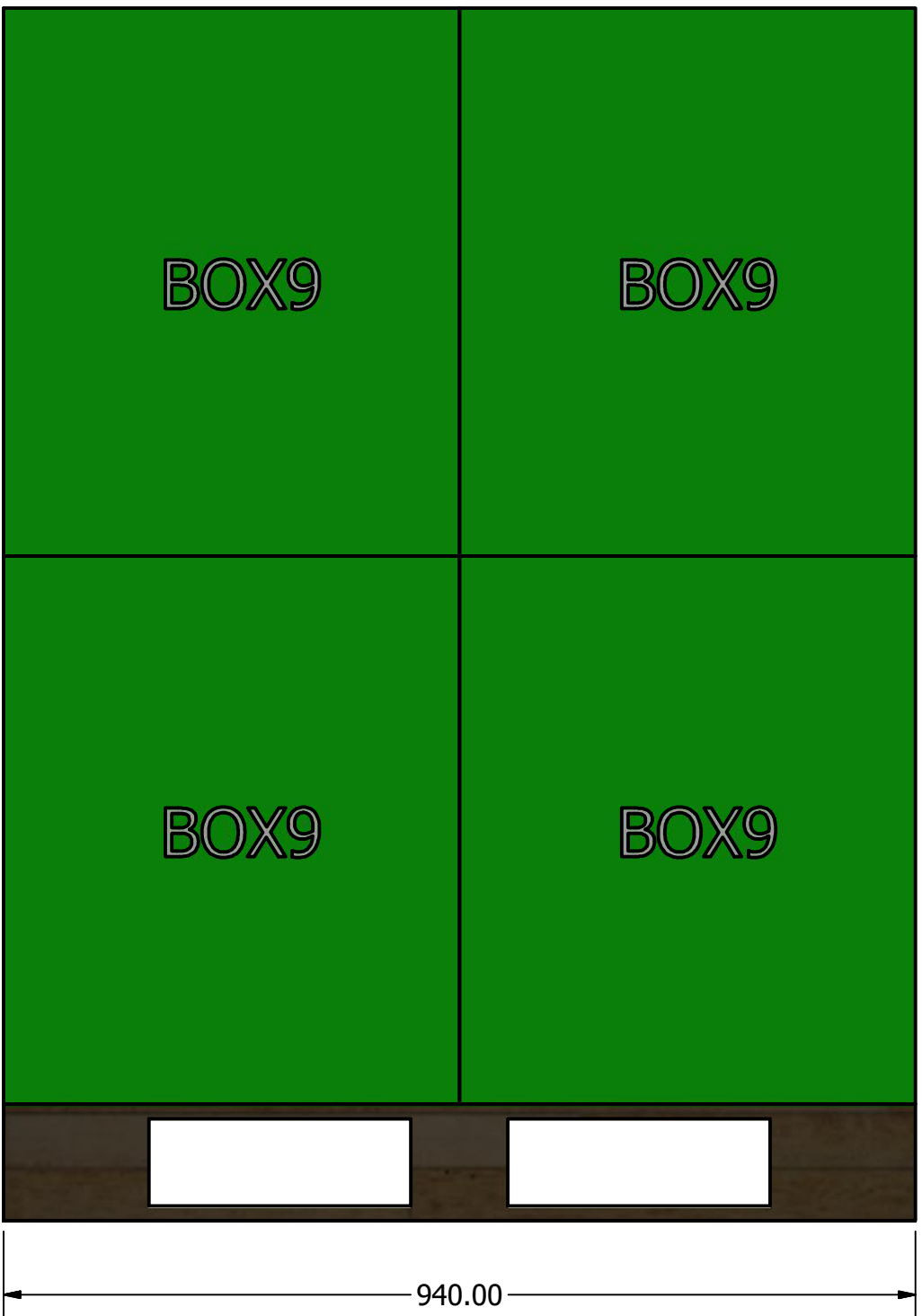
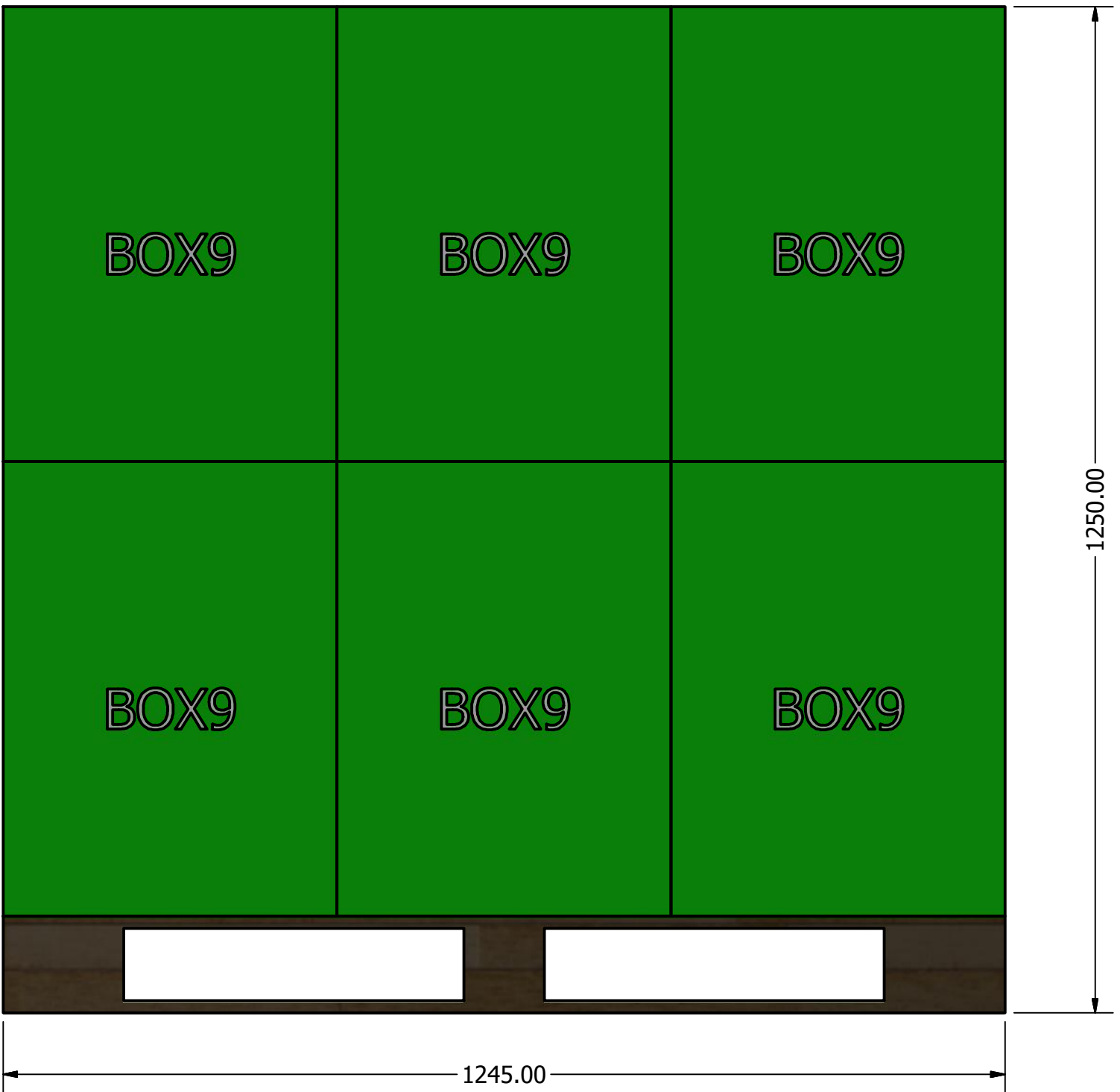
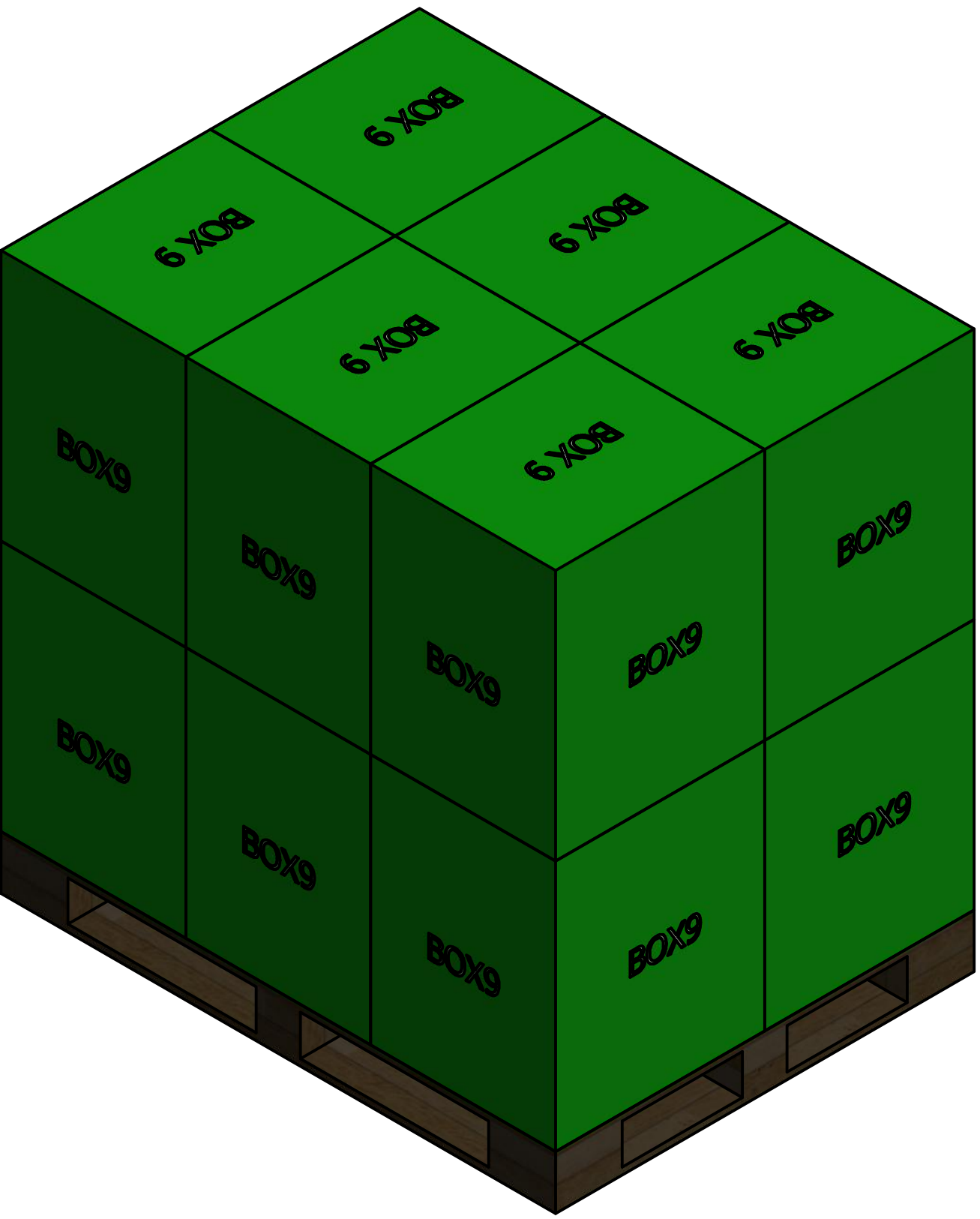
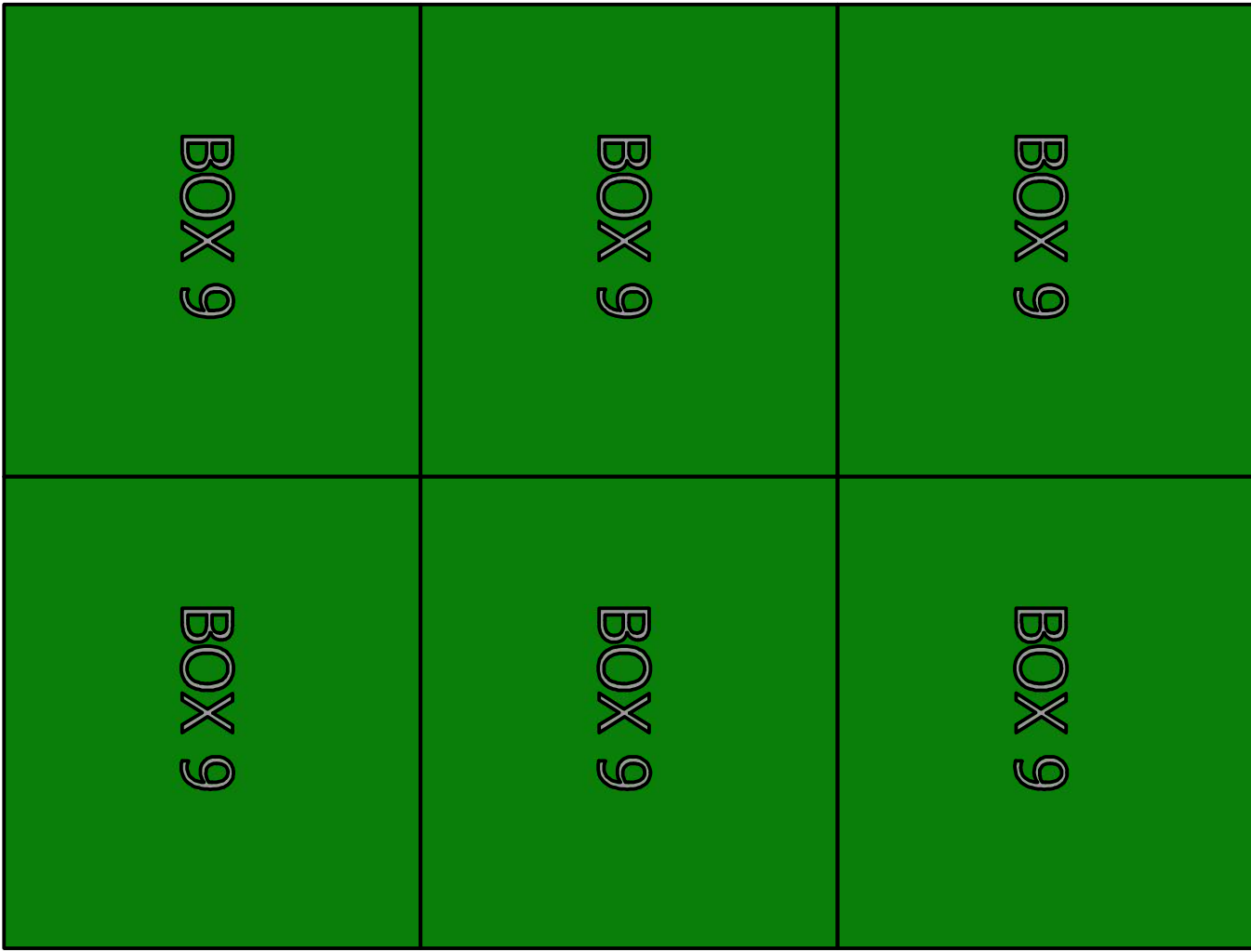
| | | | | |
|----------|------|-----------|--------------|---------|
| DRAWN | Rudy | 2019/8/19 | TITLE | |
| CHECKED | | | | |
| QA | | | | |
| MFG | | | | |
| APPROVED | | | | |
| | | | SIZE | DWG NO |
| | | | D | 2006522 |
| | | | SCALE | 1 / 20 |
| | | | SHEET 1 OF 1 | |

Pallet A (2 sets /pallet)

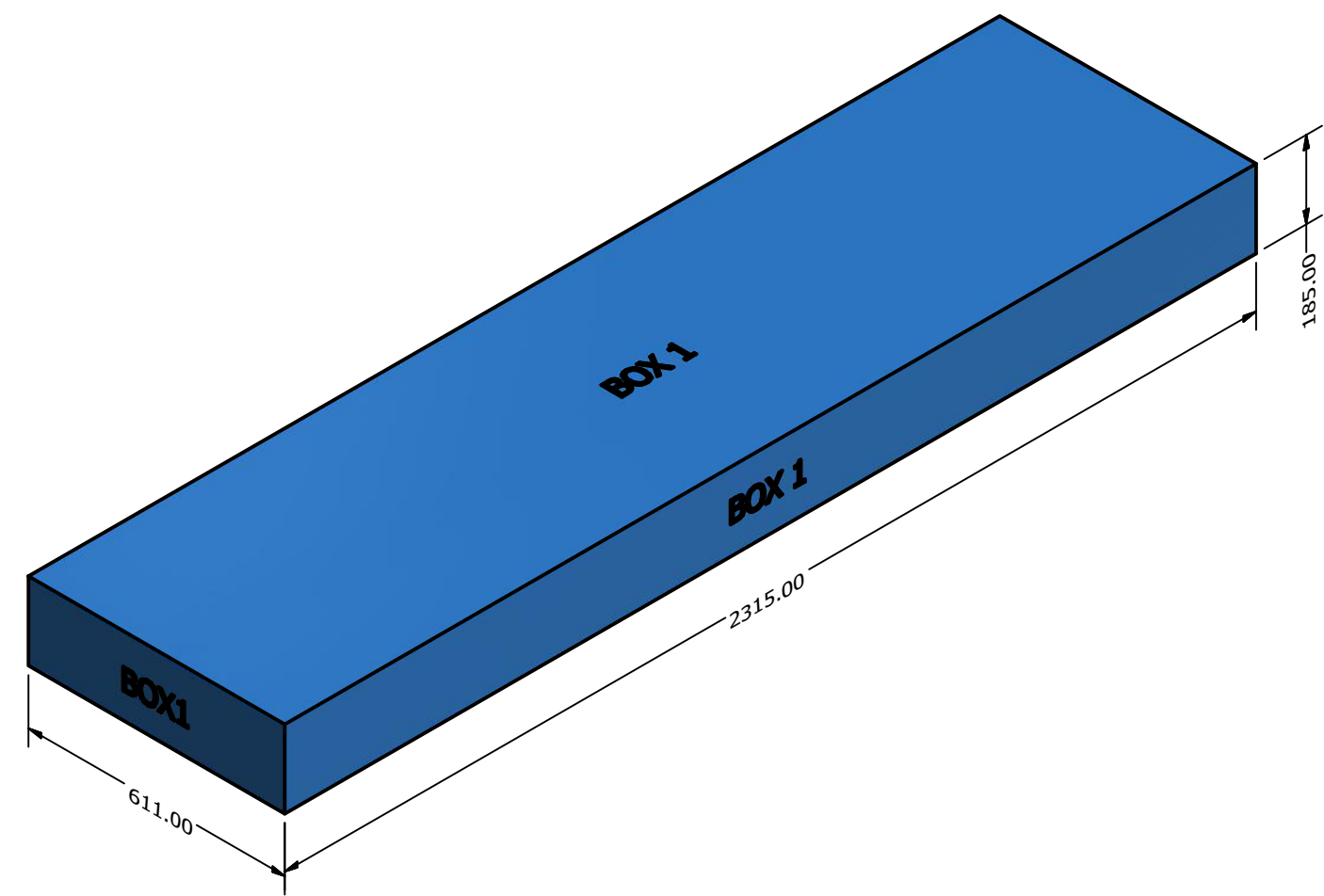


| | | | | |
|----------|--|--------|--------------|-----|
| DRAWN | | TITLE | | |
| CHECKED | | TITLE | | |
| QA | | TITLE | | |
| MFG | | TITLE | | |
| APPROVED | | TITLE | | |
| | | SIZE | DWG NO | REV |
| | | D | | |
| | | SCALE | SHEET 1 OF 1 | |
| | | 1 : 10 | | |

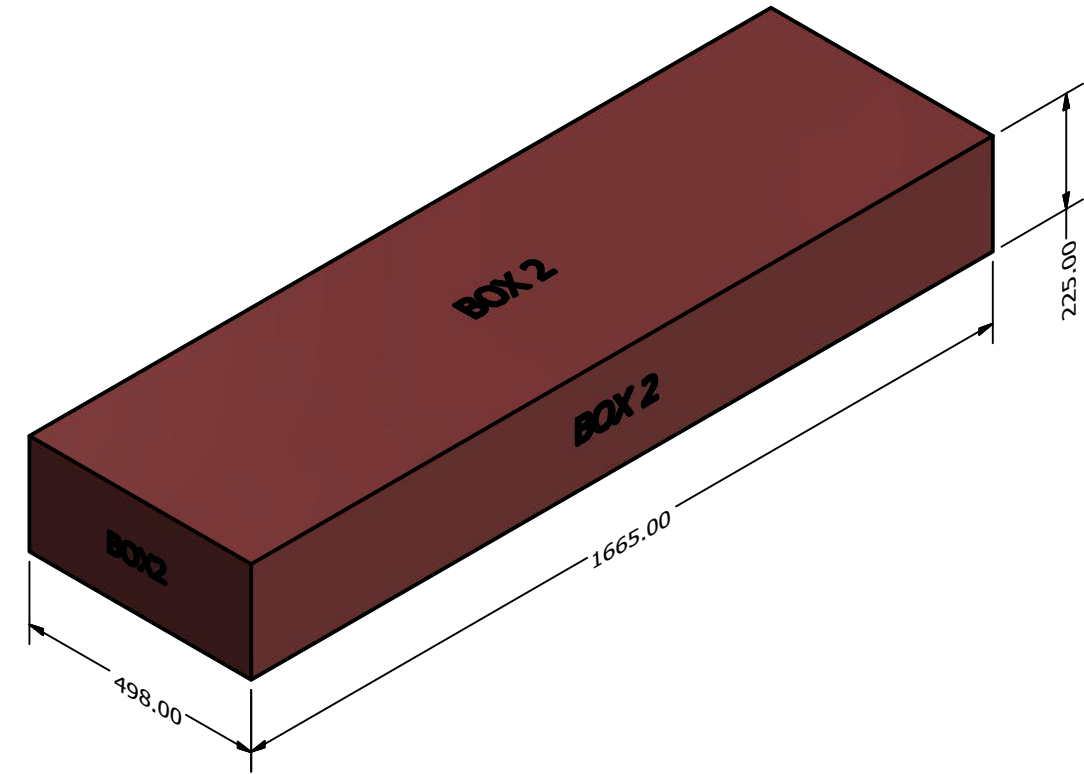
Pallet B (BOX9*12)



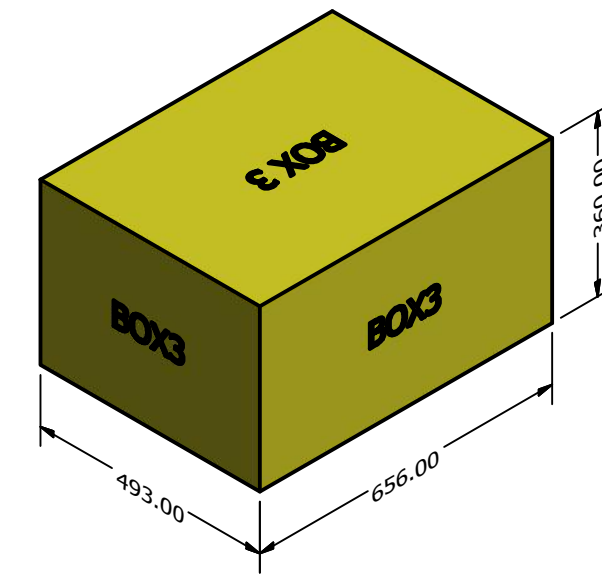
| | | | | |
|----------|--|-------|--------|--------------|
| DRAWN | | TITLE | | |
| CHECKED | | TITLE | | |
| QA | | TITLE | | |
| MFG | | TITLE | | |
| APPROVED | | TITLE | | |
| | | SIZE | DWG NO | REV |
| | | D | | |
| | | SCALE | 1 : 7 | SHEET 1 OF 1 |



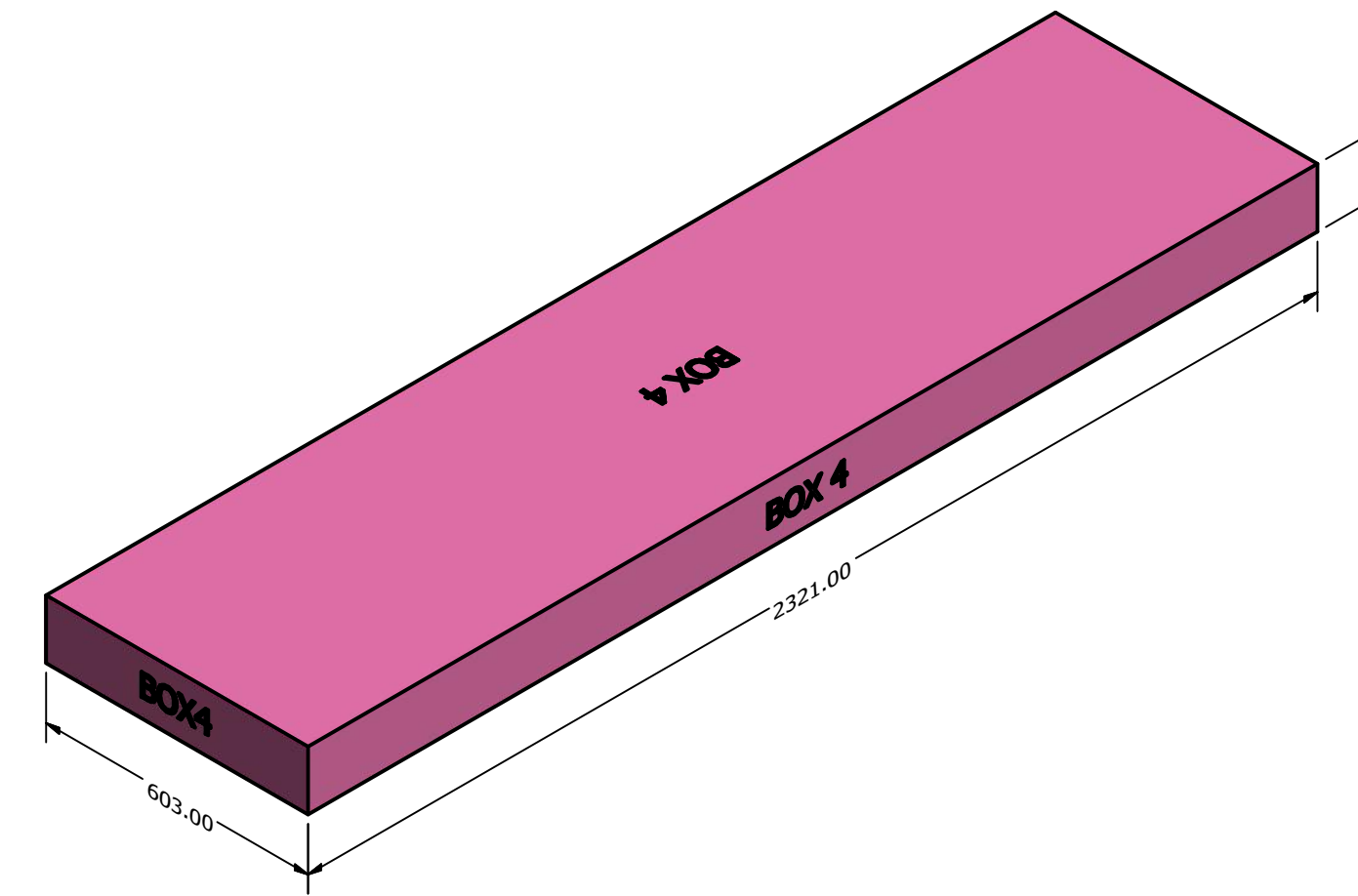
BOX1: 79kg



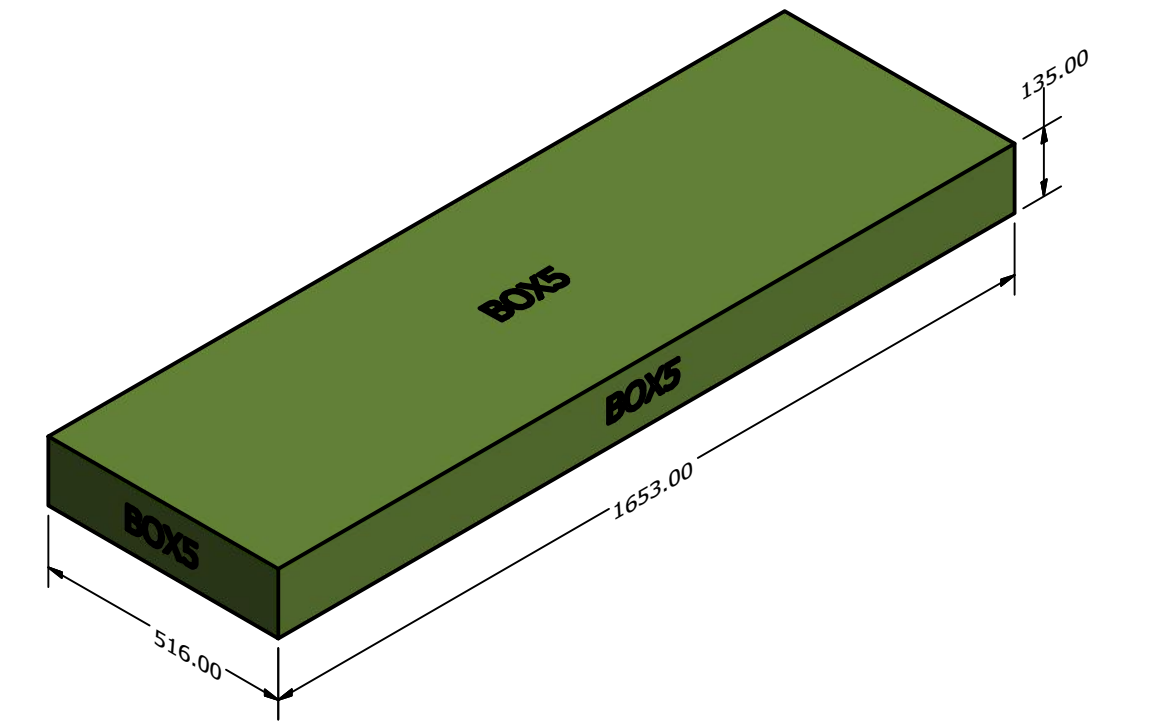
BOX2: 50kg



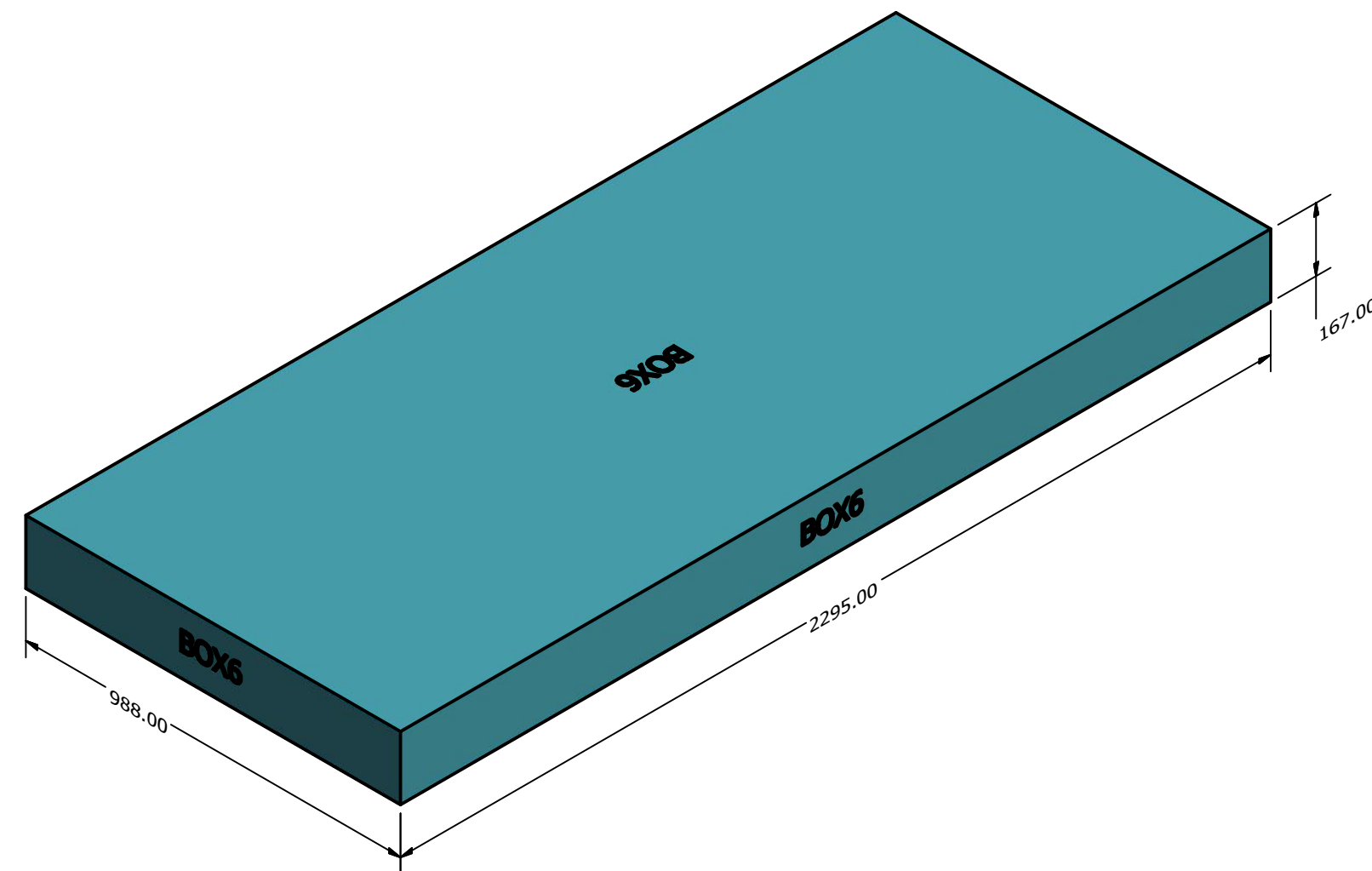
BOX3: 20kg



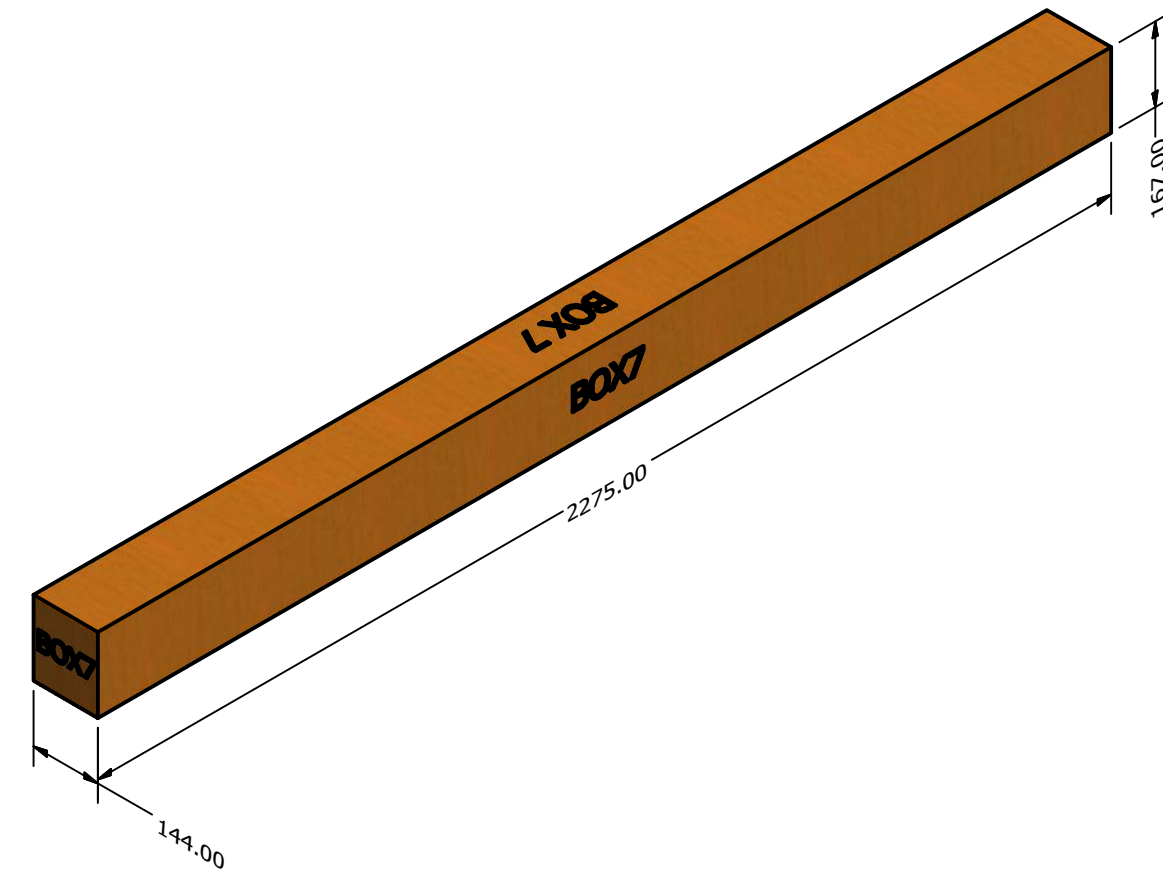
BOX4: 52kg



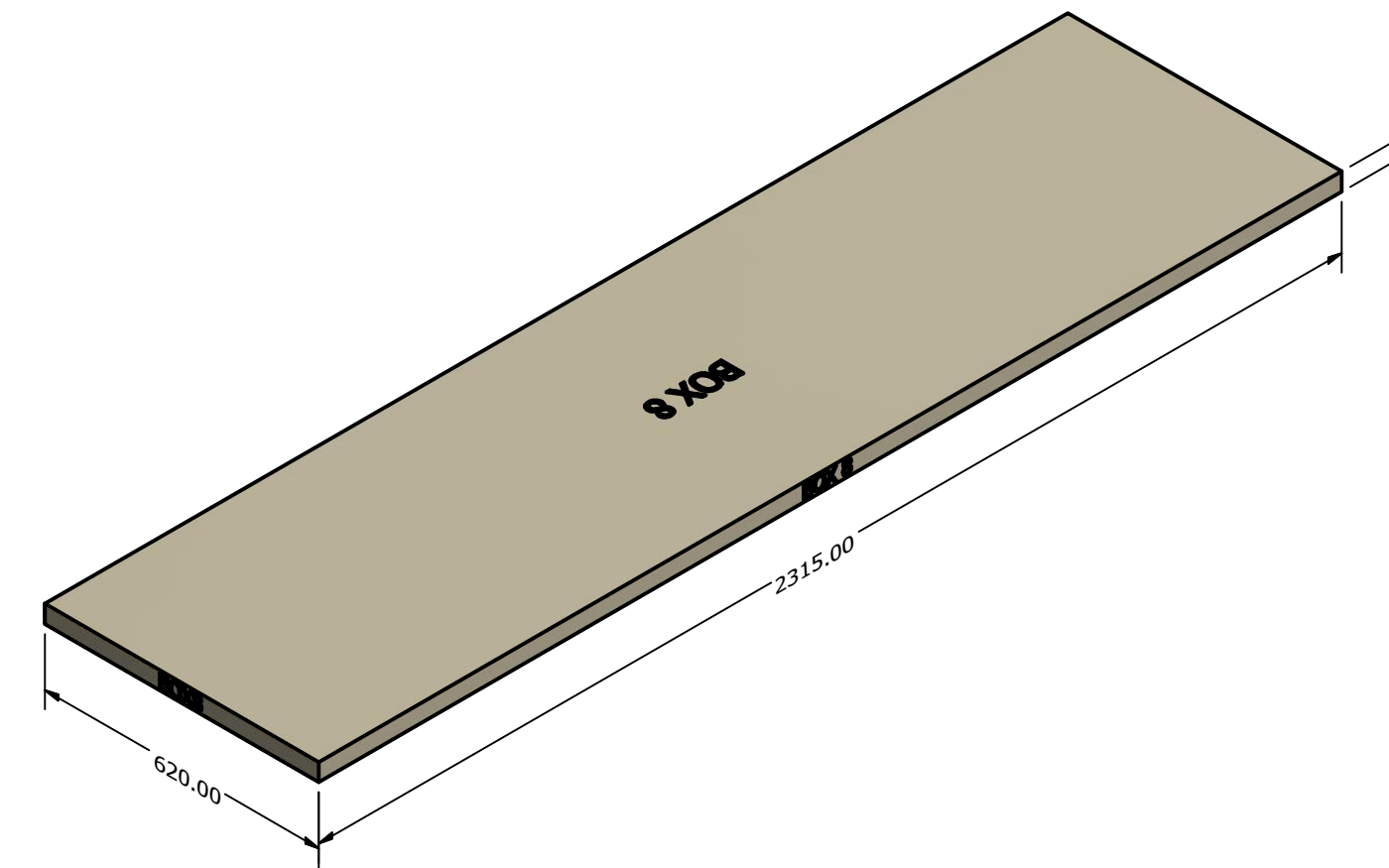
BOX5:32kg



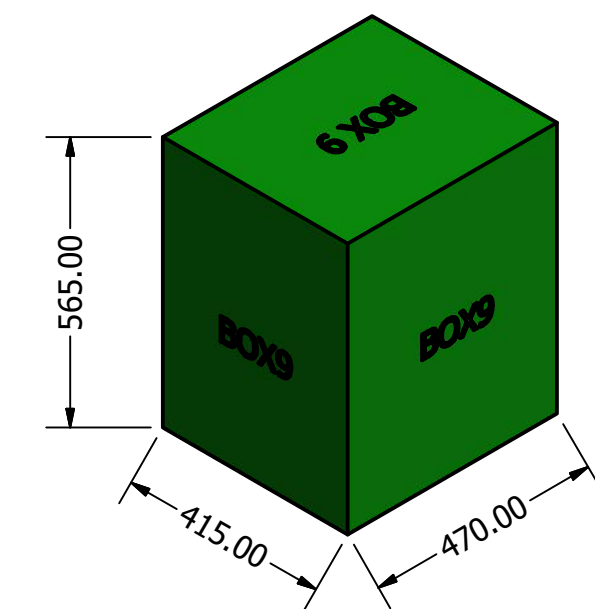
BOX6:98kg



BOX7:15kg



BOX8:38kg



BOX9:20kg

| | | | | |
|----------|--|-----------------|--------------|-----|
| DRAWN | | TITLE | | |
| CHECKED | | | | |
| QA | | | | |
| MFG | | | | |
| APPROVED | | | | |
| | | SIZE D | DWG NO | REV |
| | | SCALE 1 / 12 | SHEET 1 OF 1 | |