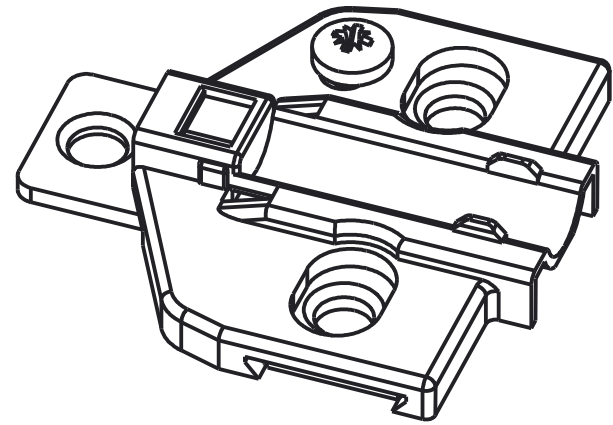
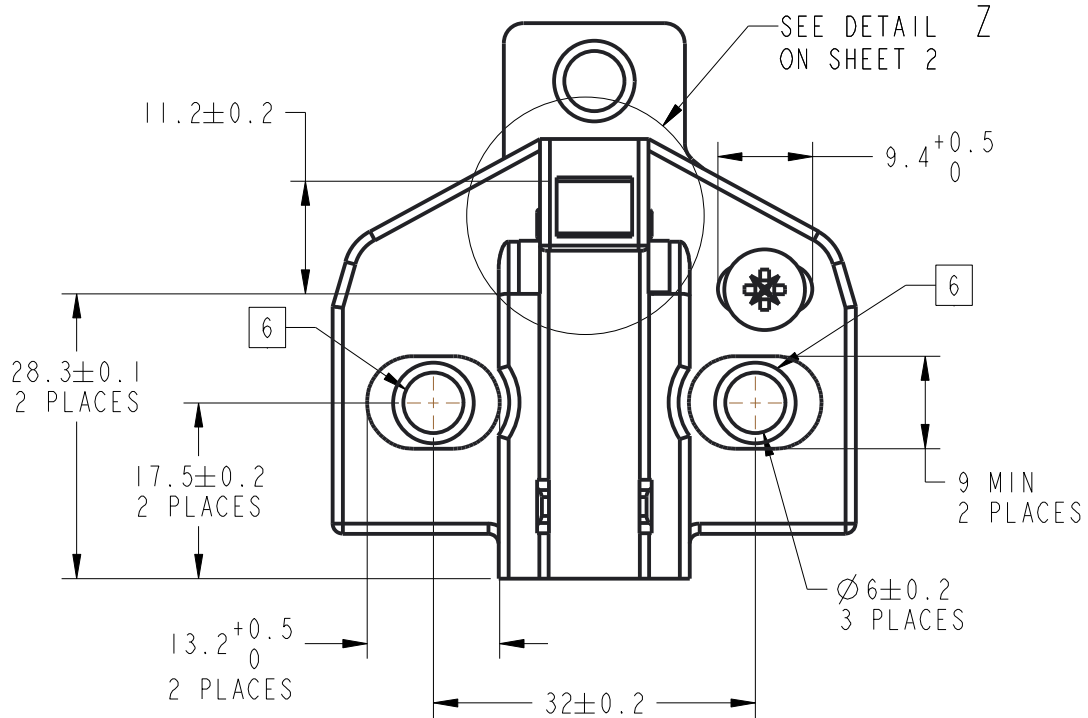


THE INFORMATION CONTAINED IN THIS DRAWING IS THE SOLE PROPERTY OF  
 HARDWARE RESOURCES INC. ANY REPRODUCTION IN PART OR AS A WHOLE  
 WITHOUT THE WRITTEN PERMISSION OF HARDWARE RESOURCES INC. IS PROHIBITED.

REVISIONS			
REV	DESCRIPTION	DATE	APPROVED
A	INITIAL RELEASE	02 MAR 2015	McGREGOR

- NOTES:**
- DRAWN IN ACCORDANCE WITH ASME Y14.5M
  - REMOVE ALL BURRS AND SHARP EDGES
  - ALL FILLETS AND ROUNDS R 0.05 UNLESS OTHERWISE SPECIFIED
  - MEASURE PART UNASSEMBLED
  - SCREW END SHALL NOT PROTRUDE BEYOND BOTTOM SURFACE
  - 600.0P32.05 ONLY, SCREWS SHALL BE INSTALLED TO DEPTH SHOWN AT INDICATED LOCATIONS
  - Ø 6.3 X 14 EURO SCREW, WITH LENGTH NOT TO EXCEED 16mm

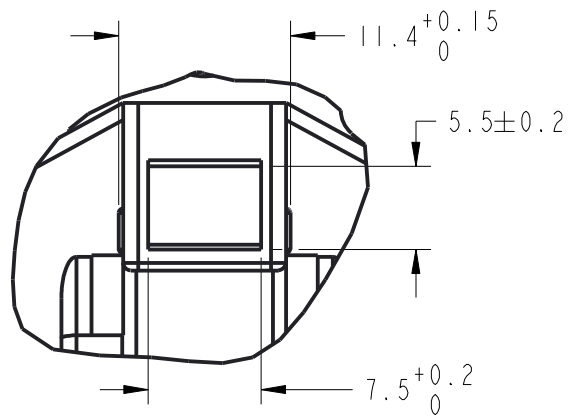
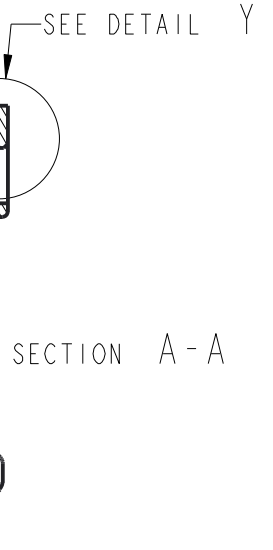
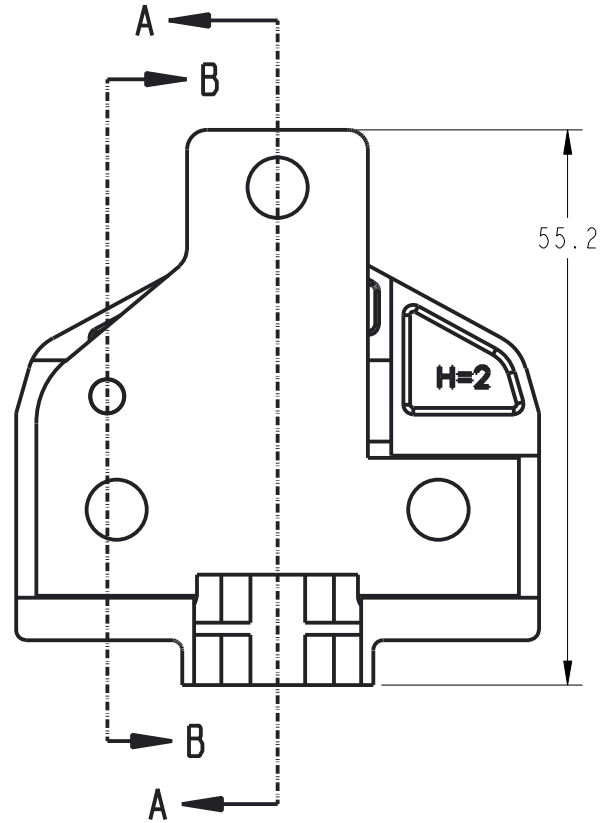
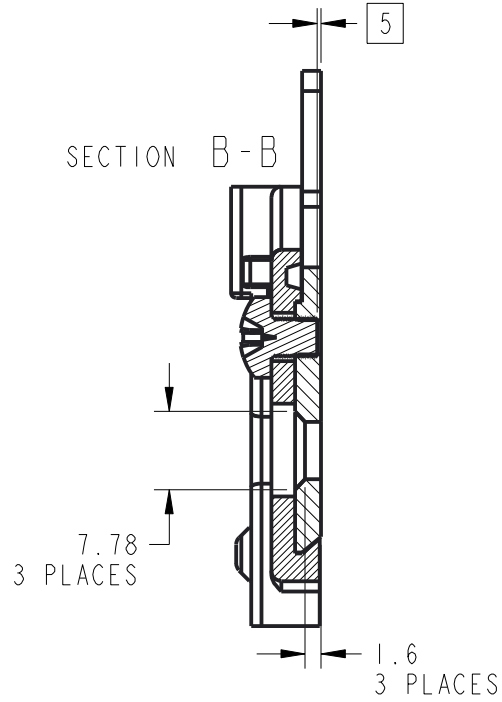


PART NUMBER	CONFIGURATION
600.0R32.05	WITHOUT MOUNTING SCREWS
600.0P32.05	WITH EURO SCREWS INSTALLED [6] [7]

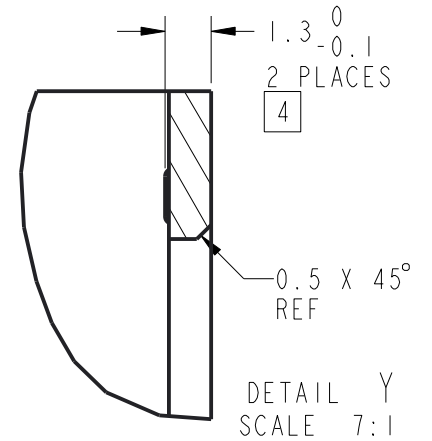
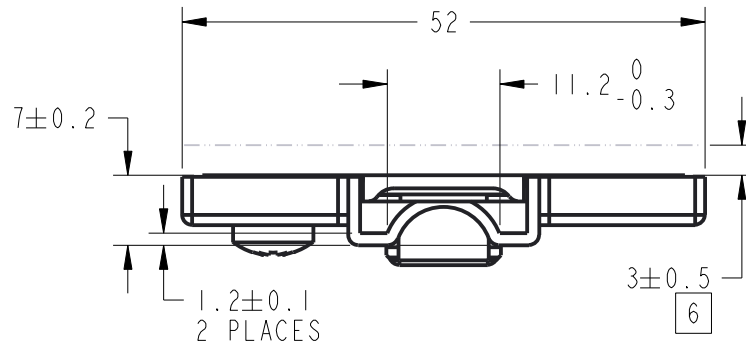
UNLESS OTHERWISE SPECIFIED DIMENSIONS ARE IN MILLIMETERS (MM)		THIRD ANGLE PROJECTION		 <b>hardware resources</b>	
GENERAL TOLERANCES		MATERIAL	FINISH		
0.00 - 14.99	± 0.10	ZINC	NI	600 SERIES PLATE, 2mm	
15.00 - 39.99	± 0.20			DRAWING NUMBER 600.0_32.05	
40.00 - 74.99	± 0.30	DRAWN BY RACHEL COOPER		DATE 02-06-15	REV A
75.00 - 99.99	± 0.45	DESIGNED BY RACHEL COOPER		DATE 02-06-15	
100.00 - 199.99	± 0.70	APPROVED BY D. MCGREGOR		DATE 03-02-15	SIZE A3
200.00 - 299.99	± 1.00	ANGLE ± 1.0°		RELEASE LEVEL 2	RELEASED SHEET 1 OF 2

THE INFORMATION CONTAINED IN THIS DRAWING IS THE SOLE PROPERTY OF  
 HARDWARE RESOURCES INC. ANY REPRODUCTION IN PART OR AS A WHOLE  
 WITHOUT THE WRITTEN PERMISSION OF HARDWARE RESOURCES INC. IS PROHIBITED.

SECTION B-B



DETAIL Z  
 SCALE 3:1



DRAWING NUMBER		600.0_32.05	REV	A
SIZE	RELEASE LEVEL	RELEASED		
A3	SCALE 2	SHEET 2 OF 2		