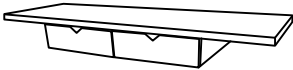


ASSEMBLY INSTRUCTION

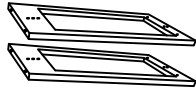
FAUX MARBLE TOP 2-DRAWER DESK WITH POWER OUTLET

A Table Top



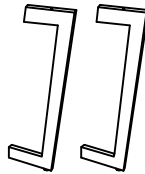
1 pc

B Table Leg



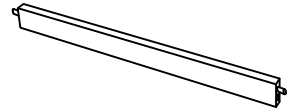
2 pcs

C Side Support



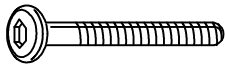
2 pcs

D Cross Bar



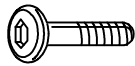
1 pc

E JCBC Bolt
M6 x 70mm



2 pcs

F JCBC Bolt
M6 x 30mm



12 pcs

G Spring Washer
M6

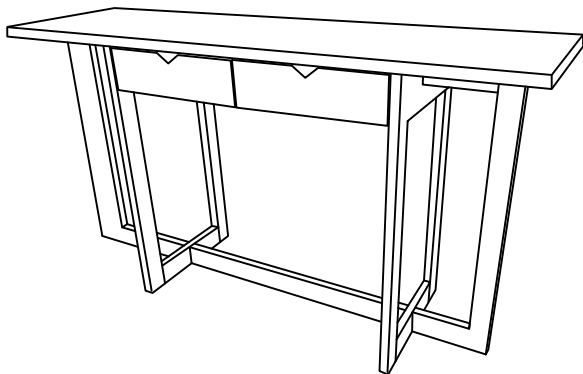


14 pcs

H Allen Key
M4 x 110mm



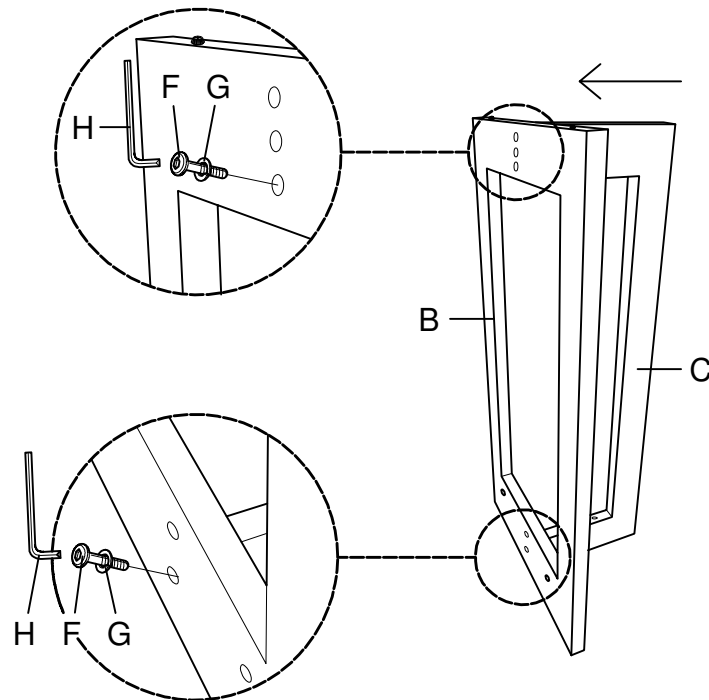
1 pc



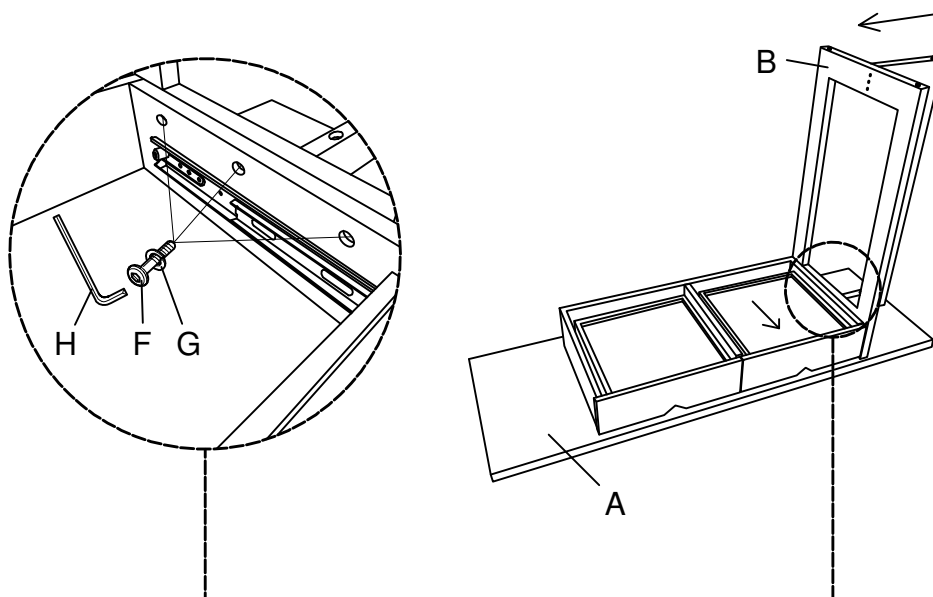
This page lists all the contents included in the box. Please take the time to identify the hardware as well as the individual components to this product. As you unpack and prepare for assembly, place the contents on a carpeted or padded area to protect them from damage.

1

Attach Side Support (C) to Table Leg (B) by inserting JCBC Bolt (F) and Spring Washer (G) into the holes of Table Leg (B) and tighten with Allen Key (H).

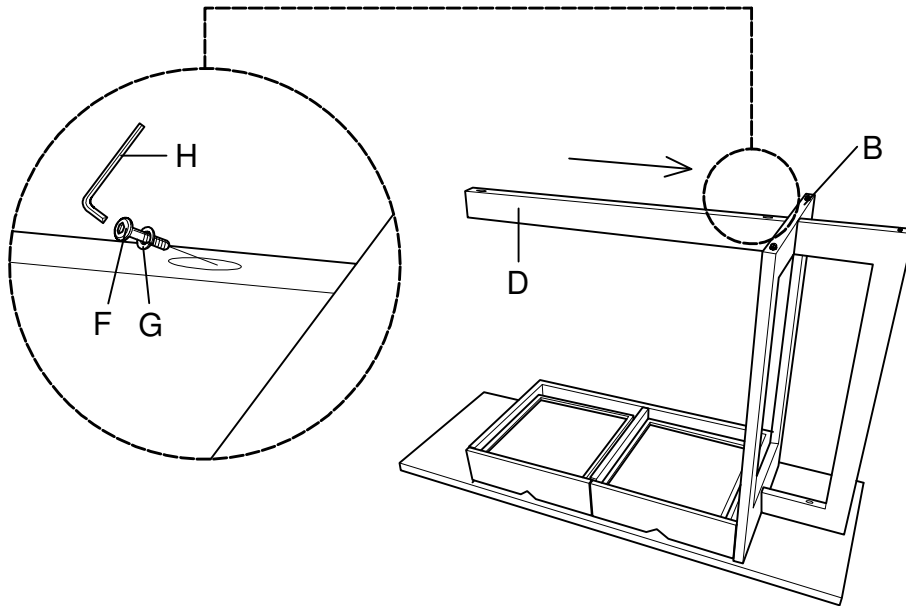
**2**

Put the Table Top (A) upside down on the soft and smooth surface. Open the drawer as shown and attach Table Leg (B) to Table Top (A) by inserting JCBC Bolt (F) and Spring Washer (G) into the holes of drawer inside and tighten with Allen Key (H).

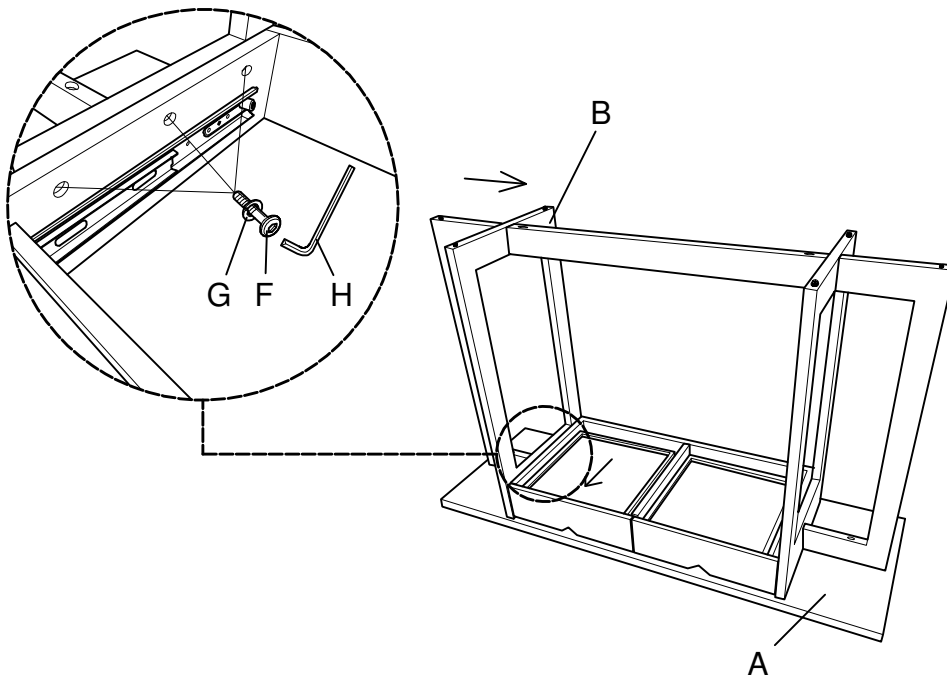


3

Attach Cross Bar (D) to Table Leg (B) by inserting JCBC Bolt (F) and Spring Washer (G) into the holes of Cross Bar (D) and tighten with Allen Key (H).

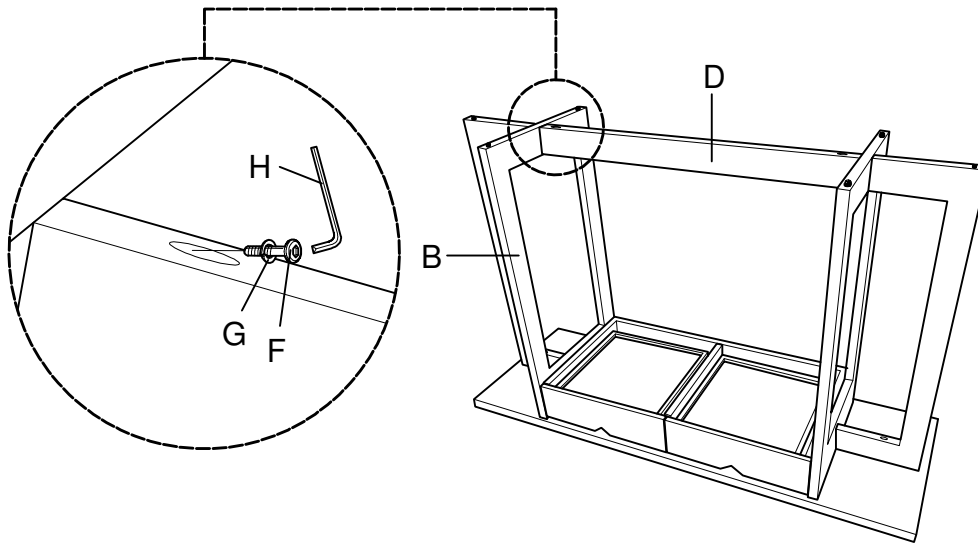
**4**

Open the drawer as shown and attach Table Leg (B) to Table Top (A) by inserting JCBC Bolt (F) and Spring Washer (G) into the holes of drawer inside and tighten with Allen Key (H).

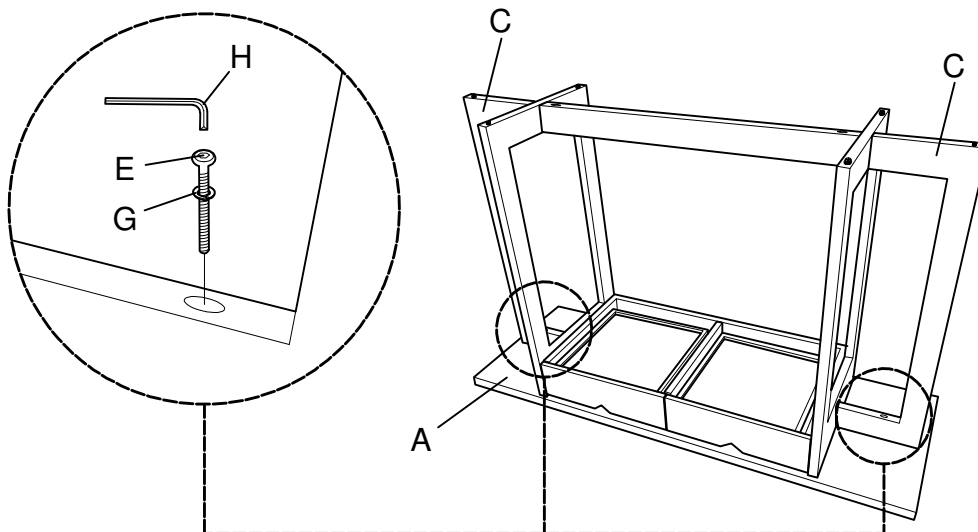


5

Attach Table Leg (B) to Cross Bar (D) by inserting JCBC Bolt (F) and Spring Washer (G) into the holes of Cross Bar (D) and tighten with Allen Key (H).

**6**

Attach Side Support (C) to Table Top (A) by inserting JCBC Bolt (E) and Spring Washer (G) into the holes of Side Support (C) and tighten with Allen Key (H).



Stand table up on an even surface and check that it is balanced. If there is a slight wobble, apply downward pressure in the corner where a leg is uneven. Keeping pressure in that corner, tighten all bolts. If balanced, apply downward pressure evenly in the center and tighten all bolts. Do not over-tighten beyond hole depth.

Cleaning & Care

Treat surfaces with care. Surfaces are resistant to scratches but are not scratch resistant. Clean surfaces with a dry or damp soft cloth. Do not use abrasive cleaners. Hardware may loosen over time. Periodically check that all connections are tight.