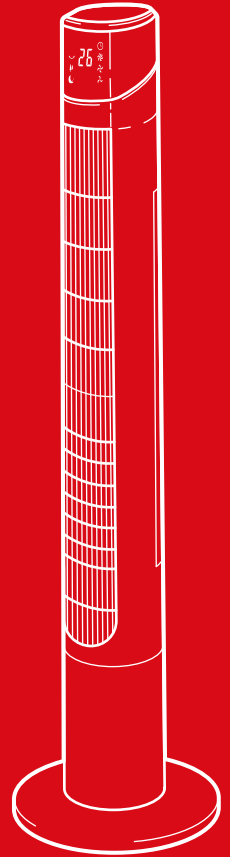




bestchoiceproducts



INSTRUCTION MANUAL

47-Inch Tower Fan



bestchoiceproducts

As shoppers, we're always trying to find the perfect balance between quality & value. At BCP, we believe we've achieved that. Our diverse catalog of everyday essentials is tailored especially to our customers & guaranteed to hit that sweet spot of high quality & low price.

— Always. —

! NOTICE

Please retain these instructions for future reference.

- Do not allow children to operate this appliance. Keep appliance out of reach of children.
- This item is intended for indoor, household use only.
- Place appliance on a flat and stable surface.
- Unplug appliance if it is left unattended and before assembly, disassembly, or cleaning.
- Ensure that your voltage is consistent with specifications.
- This appliance is not intended for use by persons (including children) with reduced physical, sensory or mental capabilities, or lack of experience and knowledge, unless they have been given supervision or instruction concerning use of the appliance by a person responsible for their safety.
- If any parts are missing, broken, damaged, or worn, stop using this product until repairs are made and/or factory replacement parts are installed.
- Do not use this item in a way inconsistent with the manufacturer's instructions as this could void the product warranty.

! WARNING

- Never put objects through the vents and into the appliance.
- Do not operate in areas with excessive dust.
- Do not operate in extremely high or low temperatures.
- Do not operate in rooms with bathtubs, showers, or swimming pools, or near wash basins or water connections.
- Keep appliance away from direct sunlight and other sources of heat (stove, heater, etc.).
- Never use in a room where there is a danger of explosion or in the vicinity of flammable liquids or gases.
- Do not route power cord under carpet or cover cord with rugs or similar cloth. Arrange cord so it will not be tripped over.
- Do not run power cord over sharp edges/corners or a hot surface.
- Do not pull or carry appliance by the power cord.
- Do not immerse or soak appliance in water or any other liquid.
- Do not spill water on the electrical components or connectors.
- Do not touch the plug or operate appliance with wet hands.
- Do not unplug the appliance by pulling on the power cord. Always grasp the plug firmly and pull straight out from the outlet.
- Do not use if the plug, power cord, or any components are damaged.
- Do not use any accessory or fitting other than original accessories and fittings.
- Always turn off appliance before removing plug from wall outlet.

TOOLS REQUIRED



PHILLIPS
SCREWDRIVER



1 PERSON
ASSEMBLY



APPROXIMATELY
15 MIN.
ASSEMBLY

HARDWARE

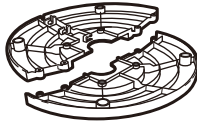
1 M4 x 12mm
SCREW



8 PCS

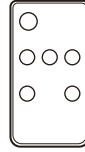
PARTS

A BASE



1 SET

B REMOTE

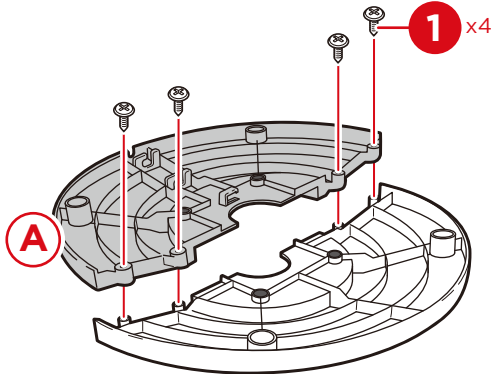


1 PC

PRODUCT ASSEMBLY

1

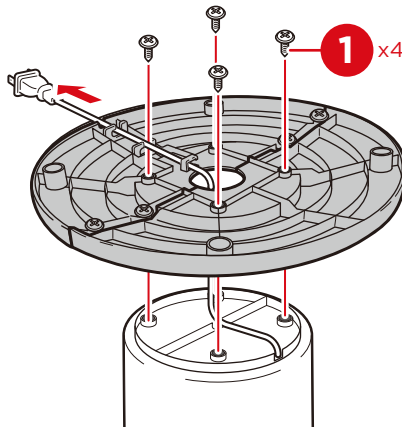
Assemble the part A base with four part 1 screws.



2

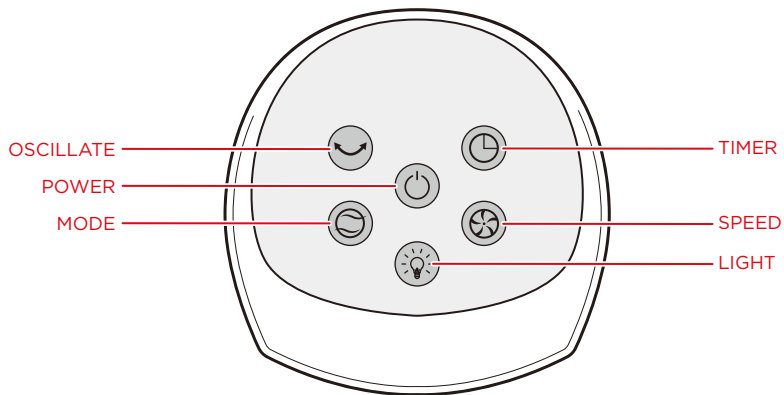
Route the power cord through the base. Attach the base to the unit with four part 1 screws.

NOTE: Route cord through clips in the base.



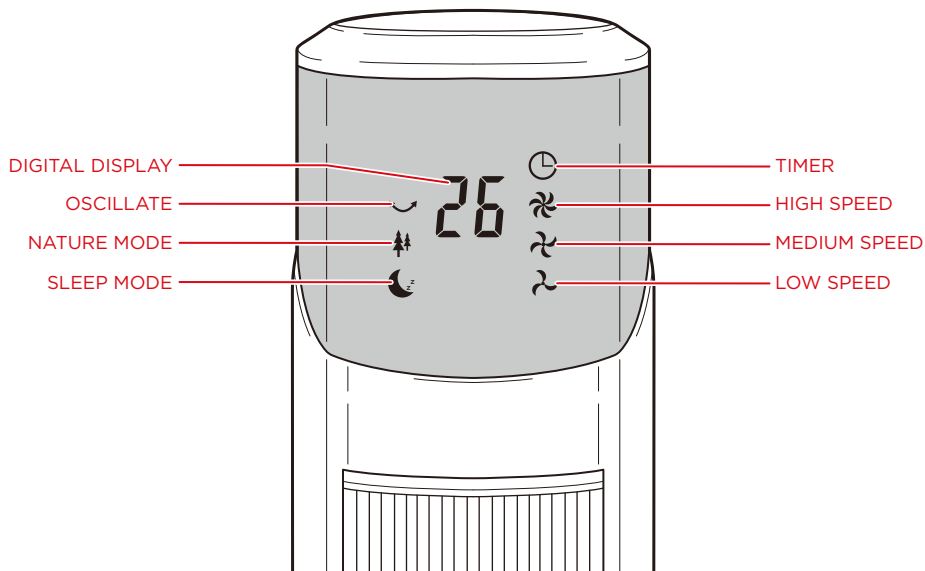
CONTROLS

- **OSCILLATE:** Toggle oscillation on/off
- **MODE:** Cycle between normal, sleep, and nature mode
 - **Normal mode:** Consistent airflow
 - **Sleep mode:** Mimics a soft breeze suitable for sleeping
 - **Nature mode:** Mimics a soft wind that grows into a gust
- **TIMER:** Set a timer ranging from 1 to 12 hours
- **SPEED:** Cycle between the low, medium, and high fan speeds
- **LIGHT:** Turn off lights on the digital display

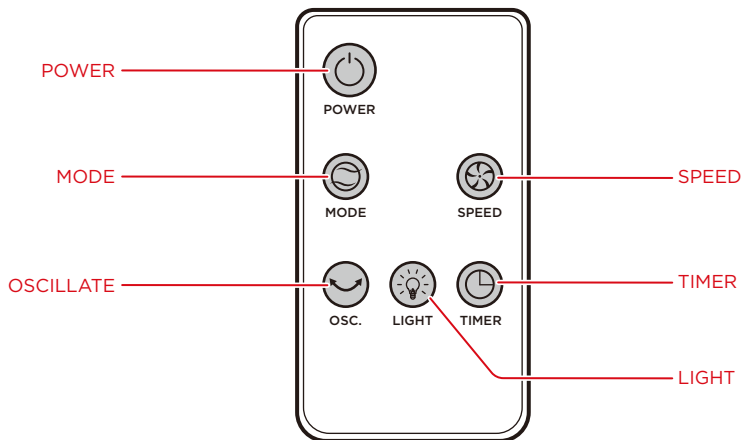


DIGITAL DISPLAY

- **DIGITAL DISPLAY:** Displays ambient temperature



CONTROLS



CLEANING

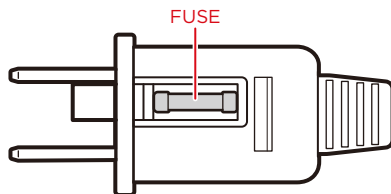
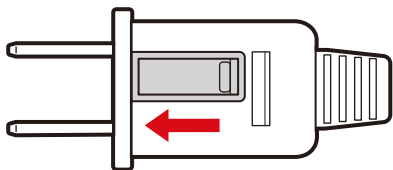
- Turn off and unplug before cleaning or storage.
- Wipe exterior of the unit with a damp cloth. If necessary, use a small amount of mild detergent and a sponge.
- Do not clean with steel wool, abrasive detergents, or corrosive liquids like gasoline or acetone.
- Store in a cool, dry place away from direct sunlight.

CHANGING THE FUSE

The following should *ONLY* be conducted by a qualified professional:

1. Pull the power cord from the outlet.
2. Slide open the fuse access cover by pushing it towards the blades of the plug.
3. Carefully remove the fuse. Push the fuse from the other side or turn the fuse holder over.
4. Replace fuse with a **5 Amp, 125 Volt** fuse only.
5. Close the fuse access cover.

WARNING: Do not replace plug as it contains a fuse that should not be removed. Discard product if the plug is damaged.



Earn points while you shop. Join today!

bestchoiceproducts
rewards

Join | Earn | Redeem

Give your friends 15% off their first order! For each successful referral you'll receive 100 points.

bestchoiceproducts.com



HELP CENTER



Question about your product? We're here to help. Visit us at:

help.bestchoiceproducts.com



Chat Support



Product Inquiry



Orders FAQ



Product Assembly



Returns & Refunds

PRODUCT WARRANTY INFORMATION

All items can be returned for any reason within 60 days of the receipt and will receive a full refund as long as the item is returned in its original product packaging and all accessories from its original shipment are included. All returned items will receive a full refund back to the original payment method. All returned items will not be charged a re-stocking fee.

All returned items require an RA (Return Authorization) number, which can only be provided by a Best Choice Products Customer Service Representative when the return request is submitted. Items received without an RA may not be accepted or may increase your return processing time. Once an item has been received by Best Choice Products, refunds or replacements will be processed within 5 business days.

All returns must be shipped back to the Best Choice Products Return Center at the customer's expense. If the reason for return is a result of an error by Best Choice Products then Best Choice Products will provide a pre-paid shipping label via email. Boxes for return shipping will not be provided by Best Choice Products, and is the customer's responsibility to either use the original shipping boxes or purchase new boxes.

Pictures may be required for some returns to ensure an item is not damaged prior to its return. Items returned are not considered undamaged until they are received by Best Choice Products and verified as such. All damages to items are the customer's responsibility until the item has been received by and acknowledge by Best Choice Products as undamaged.



WARNING

Manufacturer and seller expressly disclaim any and all liability for personal injury, property damage or loss, whether direct, indirect, or incidental, resulting from the incorrect attachment, improper use, inadequate maintenance, or neglect of this product.