



MANUFACTURED BY:  
Backyard Discovery  
3305 Airport Drive, Pittsburg, KS 66762  
800-856-4445

Basepoint Business Centre: Rivermead Drive, Westlea, Swindon SN5 7EX Phone: 0800-118-2476  
J.P. Coenstraat 7, The Bridge, The Hague, 2595 WP, Netherlands Phone: 0800-567-8990

# OCEANVIEW VENTURE POINT

## Swing Set

Model # 1606012, 2300224, & 2200265

The assembly manual must be retained  
since it contains important information



**Adult Assembly Required.**  
Not suitable for children under 36 months due to small parts.  
**FOR DOMESTIC USE ONLY. INTENDED FOR OUTDOOR USE.**



**Please visit [www.backyarddiscovery.com](http://www.backyarddiscovery.com)**

For the most up to date assembly manual, to register your set, or to order replacement parts  
*Para obtener instrucciones en español, visite [www.backyarddiscovery.com](http://www.backyarddiscovery.com)*



**EASY STEP-BY-STEP  
3D INTERACTIVE INSTRUCTIONS**

DOWNLOAD THE FREE APP



**Made in China**

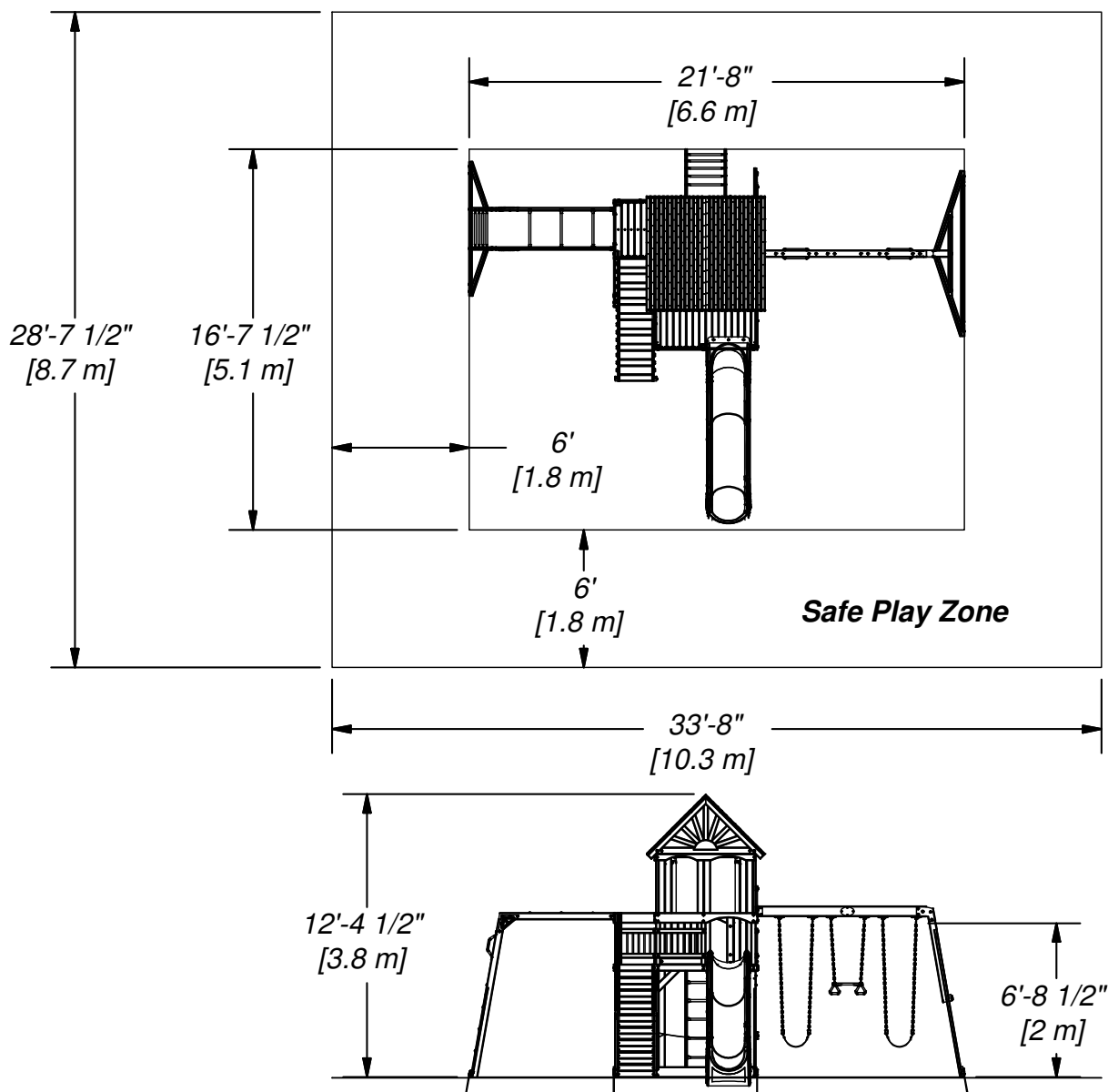
INS-1606012 or 2300224-A-OCEANVIEW-ENG 07-26-2023  
INS-2200265-A-VENTURE POINT-ENG 07-26-2023

# Owner's Manual - Basic Setup Dimensions & Assembly Notes

Place the set on level ground, not less than 6'-7" [2 m] from any structure or obstruction such as a fence, garage, house, overhanging branches, laundry lines, or electrical wires.

- While assembling unit, take time before and after each phase to make sure fort is level. If fort is not level, assembly will be difficult and improper assembly may result. Extra care must be taken to insure the fort is square.
- The safe play area refers to a zone extending 6'-7" (2 m) beyond the play product on all sides, including the space above the play product.

## SAFE PLAY AREA DIAGRAM



Safe play height: 18'-5" [5.6 m]  
Maximum fall height: 6'-8 1/2" [2 m]

### General Information:

Your set has been designed and engineered for children only and for residential use only.  
A maximum of 150 lbs. per child is recommended for play activities designed for individual use.  
A maximum of 120 lbs. per child is recommended for play activities designed for multiple child use.  
A maximum of 9 children is recommended for this swing set.

# Parts Identification

## Wood Components

(NOT TO SCALE)



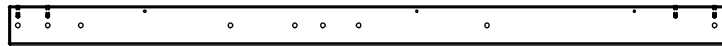
- (1) **A50 - SWING BEAM - W4L06169**  
3 3/8"x5 1/4"x89 1/2" (86x134x2274)



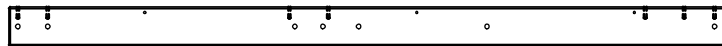
- (1) **E1 - UPRIGHT - W4L06055**  
1 3/8"x3 3/8"x86 1/8" (36x86x2186)



- (1) **E2 - UPRIGHT - W4L06057**  
1 3/8"x3 3/8"x86 1/8" (36x86x2186)



- (1) **E3 - UPRIGHT - W4L06069**  
1 3/8"x3 3/8"x63" (36x86x1600)



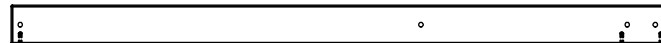
- (1) **E4 - UPRIGHT - W4L06085**  
1 3/8"x3 3/8"x63" (36x86x1600)



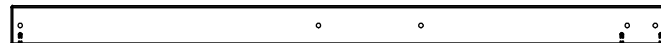
- (1) **E5 - UPRIGHT - W4L06090**  
1 3/8"x3 3/8"x63" (36x86x1600)



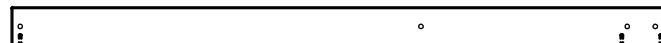
- (1) **E6 - UPRIGHT - W4L06091**  
1 3/8"x3 3/8"x63" (36x86x1600)



- (1) **E7 - UPRIGHT - W4L06051**  
1 3/8"x3 3/8"x57 3/8" (36x86x1457)



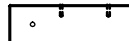
- (1) **E8 - UPRIGHT - W4L06058**  
1 3/8"x3 3/8"x57 3/8" (36x86x1457)



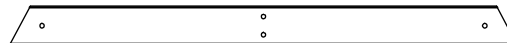
- (1) **E9 - UPRIGHT - W4L06061**  
1 3/8"x3 3/8"x57 3/8" (36x86x1457)



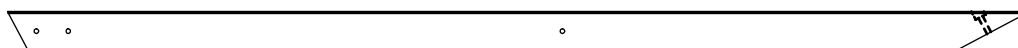
- (1) **E10 - UPRIGHT - W4L06053**  
1 3/8"x3 3/8"x34 1/4" (36x86x869)



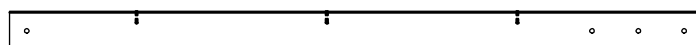
- (1) **E11 - UPRIGHT - W4L06127**  
1 3/8"x3 3/8"x10 7/8" (36x86x275)



- (1) **E50 - END SUPPORT - W4L06172**  
1 3/8"x3 3/8"x44 1/8" (36x86x1120)



- (2) **E51 - ANGLE BRACE - W4L06171**  
1 3/8"x3 3/8"x88 3/4" (36x86x2254)



- (2) **E74 - MONKEY BAR RAIL - W4L06149**  
1 3/8"x3 3/8"x60 5/8" (36x86x1539)

# Parts Identification

## Wood Components

(NOT TO SCALE)



- (2) **E79 - MONKEY BAR UPRIGHT - W4L06150**  
1 3/8"x3 3/8"x84 1/2" (36x86x2148)



- (2) **F1 - UPRIGHT - W4L06131**  
1 3/8"x2 3/8"x34 7/8" (36x60x887)



- (1) **F2 - POST - W4L06070**  
1 3/8"x2 3/8"x30 3/8" (36x60x772)



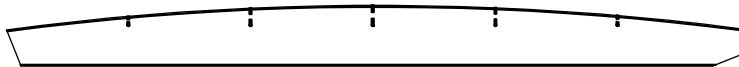
- (1) **F3 - POST - W4L06074**  
1 3/8"x2 3/8"x30 3/8" (36x60x772)



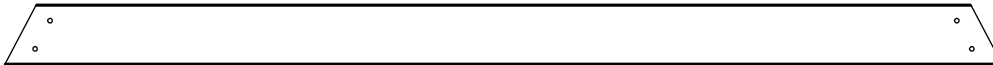
- (1) **F4 - POST - W4L06093**  
1 3/8"x2 3/8"x30 3/8" (36x60x772)



- (1) **G1 - WALL RAIL - W4L06086**  
1"x5 1/4"x76 3/4" (24x134x1948)



- (2) **G2 - LADDER UPRIGHT - W4L06144**  
1"x5 1/4"x64 1/2" (24x134x1637)



- (1) **G50 - GROUND BOARD - W4L06173**  
1"x5 1/4"x86 3/4" (24x134x2202)



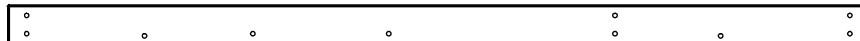
- (1) **H1 - HANDRAIL - W4L06132**  
1"x3 3/8"x88 3/4" (24x86x2253)



- (1) **H2 - FLOOR SUPPORT - W4L06060**  
1"x3 3/8"x76 3/4" (24x86x1948)



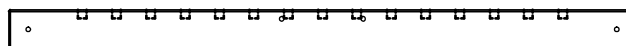
- (1) **H3 - FLOOR SUPPORT - W4L06083**  
1"x3 3/8"x76 3/4" (24x86x1948)



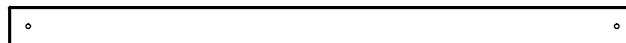
- (1) **H4 - FLOOR SUPPORT - W4L06063**  
1"x3 3/8"x74 7/8" (24x86x1901)



- (1) **H5 - SAFETY RAIL - W4L06059**  
1"x3 3/8"x68 5/8" (24x86x1742)



- (1) **H6 - WALL RAIL - W4L06088**  
1"x3 3/8"x54 1/2" (24x86x1384)

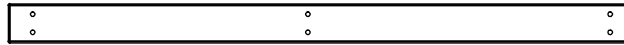


- (2) **H7 - WALL RAIL - W4L06100**  
1"x3 3/8"x54 1/2" (24x86x1384)

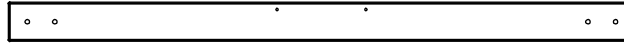
# Parts Identification

## Wood Components

(NOT TO SCALE)



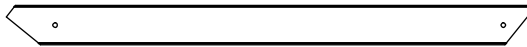
- (1) **H8 - FLOOR SUPPORT - W4L06079**  
1"x3 3/8"x54 3/8" (24x86x1382)



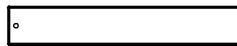
- (2) **H9 - WALL RAIL - W4L06102**  
1"x3 3/8"x54 3/8" (24x86x1382)



- (1) **H10 - FLOOR SUPPORT - W4L06062**  
1"x3 3/8"x52 1/2" (24x86x1334)



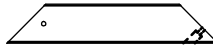
- (1) **H11 - HANDRAIL - W4L06133**  
1"x3 3/8"x46" (24x86x1170)



- (1) **H12 - FLOOR SUPPORT - W4L06125**  
1"x3 3/8"x20 3/8" (24x86x519)



- (1) **H13 - WALL SPACER - W4L06126**  
1"x3 3/8"x3 3/8" (24x86x86)



- (3) **H22 - DECK BRACE - W4L06082**  
1"x3 3/8"x18 3/8" (24x86x466)



- (4) **H23 - DECK BRACE - W4L06179**  
1"x3 3/8"x17 7/8" (24x86x453)



- (2) **H81 - MONKEY BAR BRACE - W4L06151**  
1"x3 3/8"x53 1/4" (24x86x1352)



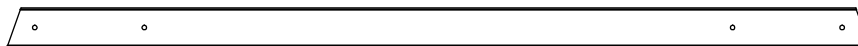
- (1) **H82 - MONKEY BAR GROUND BOARD - W4L06168**  
1"x3 3/8"x70 3/8" (24x86x1786)



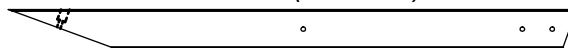
- (3) **H83 - WALL BOARD - W4L06182**  
1"x3 3/8"x61 1/4" (24x86x1557)



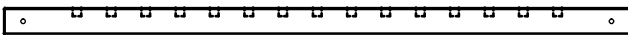
- (1) **H84 - WALL BOARD - W4L06183**  
1"x3 3/8"x61 1/4" (24x86x1557)



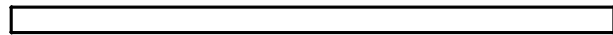
- (1) **H85 - SAFETY RAIL - W4L06184**  
1"x3 3/8"x75" (24x86x1904)



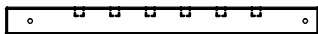
- (2) **H86 - ANGLE BRACE - W4L06186**  
1"x3 3/8"x49 3/8" (24x86x1254)



- (1) **J1 - WALL RAIL - W4L06104**  
1"x2 3/8"x54 1/2" (24x60x1384)



- (2) **J2 - FLOOR JOIST - W4L06068**  
1"x2 3/8"x52 1/2" (24x60x1334)



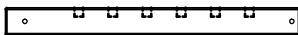
- (2) **J3 - WALL RAIL - W4L06092**  
1"x2 3/8"x27 1/4" (24x60x691)



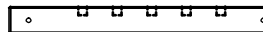
- (2) **J4 - OUTER CURTAIN ROD HOLDER - W4L05293**  
1"x2 3/8"x2 3/8" (24x60x60)



- (1) **J5 - INNER CURTAIN ROD HOLDER - W4L05294**  
1"x2 3/8"x2 3/8" (24x60x60)



- (4) **J6 - WALL RAIL - W4L06089**  
1"x2 3/8"x25 5/8" (24x60x650)

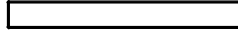


- (2) **J7 - WALL RAIL - W4L06050**  
1"x2 3/8"x22 3/4" (24x60x579)

# Parts Identification

## Wood Components

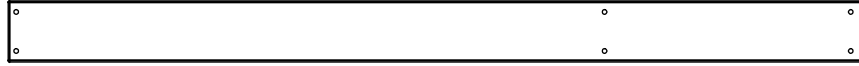
(NOT TO SCALE)



- (1) **J8 - FLOOR JOIST - W4L06134**  
1"x2 3/8"x20 3/8" (24x60x519)



- (5) **J9 - SUPPORT BOARD - W4L06064**  
1"x2 3/8"x3" (24x60x76)



- (1) **K1 - GROUND BOARD - W4L06052**  
5/8"x5 1/4"x74 1/2" (16x134x1893)



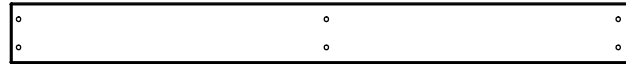
- (1) **K2 - GROUND BOARD - W4L06056**  
5/8"x5 1/4"x74 1/2" (16x134x1893)



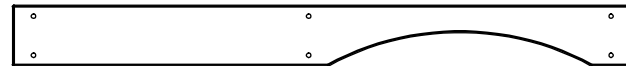
- (1) **K3 - ARCHED RAIL - W4L06106**  
5/8"x5 1/4"x74 7/8" (16x134x1901)



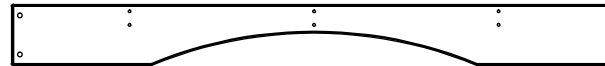
- (1) **K4 - GROUND BOARD - W4L06049**  
5/8"x5 1/4"x54 1/2" (16x134x1384)



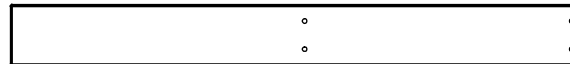
- (1) **K5 - GROUND BOARD - W4L06054**  
5/8"x5 1/4"x54 1/2" (16x134x1384)



- (1) **K6 - ARCHED RAIL - W4L06084**  
5/8"x5 1/4"x54 1/8" (16x134x1374)



- (1) **K7 - ARCHED RAIL - W4L06105**  
5/8"x5 1/4"x52 1/2" (16x134x1334)



- (1) **K8 - WALL RAIL - W4L06095**  
5/8"x5 1/4"x49 1/2" (16x134x1256)



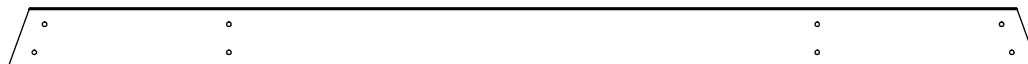
- (1) **K9 - ARCHED RAIL - W4L06124**  
5/8"x5 1/4"x29 3/4" (16x134x756)



- (8) **K10 - STAIR STEP BOARD - W4L06123**  
5/8"x4 5/8"x19" (16x119x483)



- (2) **K11 - HALF MOON PLATE - W4L06115**  
5/8"x5 1/4"x12 5/8" (16x134x320)

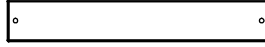


- (1) **K12 - GROUND BOARD - W4L06185**  
5/8"x5 1/4"x89 1/2" (16x134x2274)

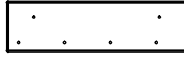
# Parts Identification

## Wood Components

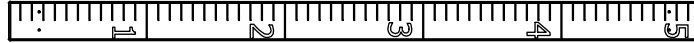
(NOT TO SCALE)



- (1) **L1 - SUPPORT BOARD - W4L06128**  
5/8"x3 5/8"x22 3/4" (16x92x579)



- (1) **L2 - SUPPORT BOARD - W4L06142**  
5/8"x4 3/8"x15 5/8" (16x112x397)



- (1) **M1 - GROWTH BOARD - W4L06143**  
5/8"x3 3/8"x60 1/4" (16x86x1530)



- (1) **M2 - WALL BOARD - W4L06097**  
5/8"x3 3/8"x61 1/4" (16x86x1557)



- (1) **M3 - WALL BOARD - W4L06099**  
5/8"x3 3/8"x61 1/4" (16x86x1557)



- (2) **M4 - WALL BOARD - W4L06109**  
5/8"x3 3/8"x61 1/4" (16x86x1557)



- (1) **M5 - WALL BOARD - W4L06111**  
5/8"x3 3/8"x61 1/4" (16x86x1557)



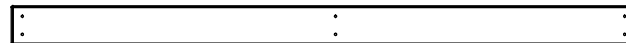
- (14) **M6 - FLOOR BOARD - W4L06066**  
5/8"x3 3/8"x54 1/2" (16x86x1384)



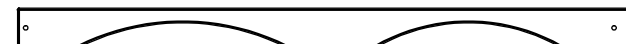
- (1) **M7 - WALL RAIL - W4L06087**  
5/8"x3 3/8"x54 1/2" (16x86x1384)



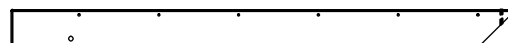
- (1) **M8 - ARCHED RAIL - W4L06101**  
5/8"x3 3/8"x54 1/2" (16x86x1384)



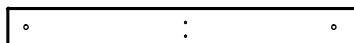
- (2) **M9 - WALL BOARD - W4L06148**  
5/8"x3 3/8"x54 1/4" (16x86x1377)



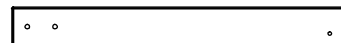
- (1) **M10 - ARCHED RAIL - W4L06103**  
5/8"x3 3/8"x53 1/8" (16x86x1350)



- (4) **M11 - ROOF RAFTER - W4L06114**  
5/8"x3 3/8"x43 7/8" (16x86x1114)



- (1) **M12 - WALL RAIL - W4L06121**  
5/8"x3 3/8"x31" (16x86x788)



- (1) **M13 - WALL RAIL - W4L06112**  
5/8"x3 3/8"x29 1/4" (16x86x744)

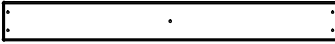
# Parts Identification

## Wood Components

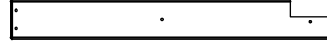
(NOT TO SCALE)



- (1) **M14 - WALL RAIL - W4L06113**  
5/8"x3 3/8"x28 5/8" (16x86x728)



- (5) **M15 - FLOOR BOARD - W4L06120**  
5/8"x3 3/8"x29 1/8" (16x86x740)



- (1) **M16 - FLOOR BOARD - W4L06130**  
5/8"x3 3/8"x27 3/4" (16x86x704)



- (1) **M17 - WALL RAIL - W4L06094**  
5/8"x3 3/8"x27 1/4" (16x86x692)



- (2) **M18 - WALL BOARD - W4L06108**  
5/8"x3 3/8"x27" (16x86x686)



- (1) **M19 - WALL BOARD - W4L06096**  
5/8"x3 3/8"x27" (16x86x686)



- (1) **M20 - ATTACHMENT BOARD - W4L06146**  
5/8"x3 3/8"x21 1/2" (16x86x547)



- (13) **M21 - FLOOR BOARD - W4L06080**  
5/8"x3 3/8"x21 1/4" (16x86x540)



- (1) **M22 - FLOOR BOARD - W4L06081**  
5/8"x3 3/8"x21 1/4" (16x86x540)



- (24) **M23 - STAIR STEP BOARD - W4L06122**  
5/8"x3 1/4"x19" (16x83x483)



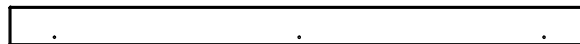
- (2) **M24 - WALL RAIL - W4L06107**  
5/8"x3 3/8"x15 5/8" (16x86x398)



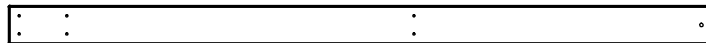
- (1) **M25 - WALL RAIL - W4L06098**  
5/8"x3 3/8"x6 3/4" (16x86x172)



- (1) **M26 - WALL RAIL - W4L06110**  
5/8"x3 3/8"x5 3/8" (16x86x138)



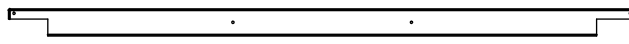
- (2) **M27 - CORNER BOARD - W4L06147**  
5/8"x3 3/8"x50 3/8" (16x86x1280)



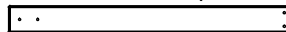
- (1) **M28 - WALL BOARD - W4L06180**  
5/8"x3 3/8"x61 1/4" (16x86x1557)



- (14) **M29 - WALL BOARD - W4L06181**  
5/8"x3 3/8"x28 5/8" (16x86x726)



- (2) **N1 - FLOOR BOARD - W4L06067**  
5/8"x2 3/8"x54 1/2" (16x60x1384)



- (2) **N2 - SUNBURST BOARD - W4L06116**  
5/8"x2 3/8"x24 3/8" (16x60x620)

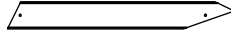
# Parts Identification

## Wood Components

(NOT TO SCALE)



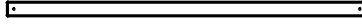
- (2) **N3 - FLOOR BOARD - W4L06078**  
5/8"x2 3/8"x19 3/4" (16x60x502)



- (8) **N4 - SUNBURST BOARD - W4L06118**  
5/8"x2 3/8"x19 5/8" (16x60x500)



- (4) **N6 - SUNBURST BOARD - W4L06117**  
5/8"x2 3/8"x15 7/8" (16x60x404)



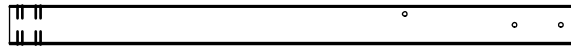
- (22) **O1 - PICKET - W4L06135**  
5/8"x1 3/8"x31 1/4" (16x34x795)



- (1) **O70 - SLIDE MOUNTING BOARD - W102822**  
5/8"x1 3/8"x20 3/8" (16x34x517)



- (1) **Q1 - SUPPORT BOARD - W4L06129**  
1"x4 3/8"x22 3/4" (24x112x579)



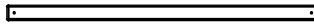
- (1) **SP50 - SWING BEAM SUPPORT - W4L06170**  
3 3/8"x3 3/8"x49 3/8" (86x86x1254)



- (1) **T1 - SUPPORT BOARD - W4L06075**  
1"x1 3/8"x50" (24x34x1270)



- (2) **T2 - SUPPORT BOARD - W4L06065**  
1"x1 3/8"x49 5/8" (24x34x1260)



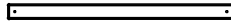
- (1) **T3 - PICKET - W4L06136**  
1"x1 3/8"x27 1/8" (24x34x688)



- (1) **T4 - SUPPORT BOARD - W4L06077**  
1"x1 3/8"x23 7/8" (24x34x606)



- (1) **T5 - SUPPORT BOARD - W4L06076**  
1"x1 3/8"x21 1/2" (24x34x546)



- (1) **T6 - PICKET - W4L06137**  
1"x1 3/8"x19 5/8" (24x34x500)



- (1) **T7 - PICKET - W4L06138**  
1"x1 3/8"x18 3/8" (24x34x468)



- (2) **T8 - SUPPORT BOARD - W4L06119**  
1"x1 3/8"x16 5/8" (24x34x423)



- (1) **T9 - PICKET - W4L06139**  
1"x1 3/8"x15 1/4" (24x34x386)

# Parts Identification

## Wood Components

(NOT TO SCALE)



- (1) **T10 - PICKET - W4L06140**  
1"x1 3/8"x12" (24x34x304)



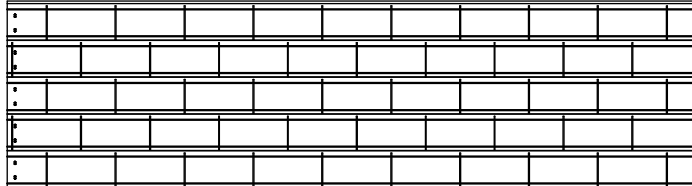
- (1) **T11 - PICKET - W4L06141**  
1"x1 3/8"x8 3/4" (24x34x222)



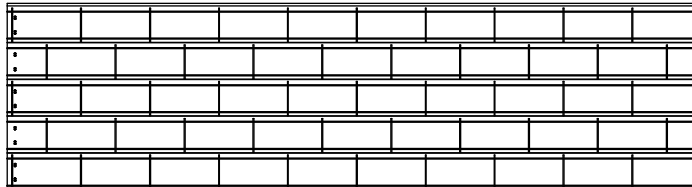
- (1) **E12 - UPRIGHT - W2A01864**  
1 3/8"x3 3/8"x57 3/8" (36x86x1457)



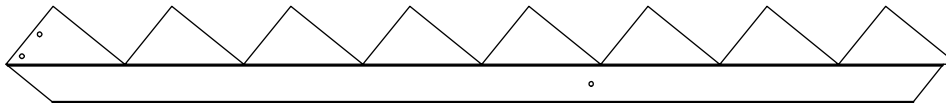
- (2) **RP1 - ROOF PANEL - W2A01860**  
1 3/8"x12 1/4"x59 1/2" (35x311x1532)



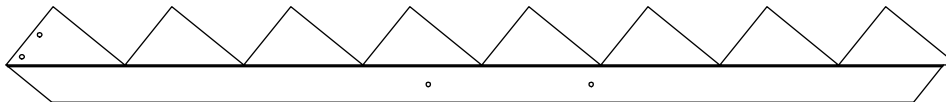
- (2) **RP2 - ROOF PANEL - W2A01861**  
1 3/8"x16 1/8"x59 1/2" (35x410x1532)



- (2) **RP3 - ROOF PANEL - W2A01862**  
1 3/8"x16 1/8"x59 1/2" (35x410x1532)



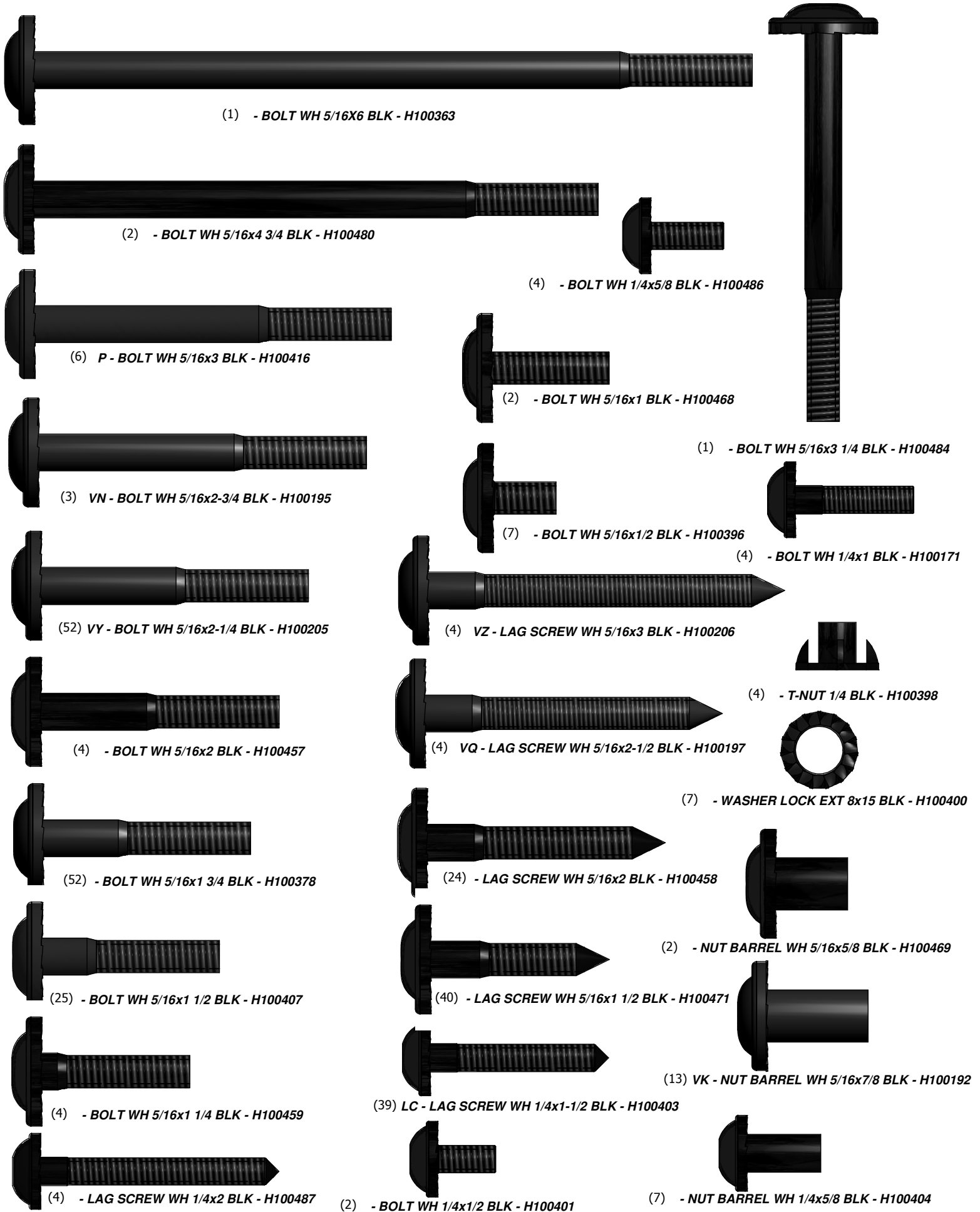
- (1) **SR1 - STAIR RAIL - W2A01863**  
1"x8 3/8"x82 5/8" (24x214x2099)



- (1) **SR2 - STAIR RAIL - W2A01868**  
1"x8 3/8"x82 5/8" (24x214x2099)

# Parts Identification

## Hardware

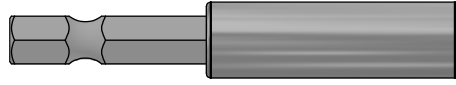


# Parts Identification

## Hardware



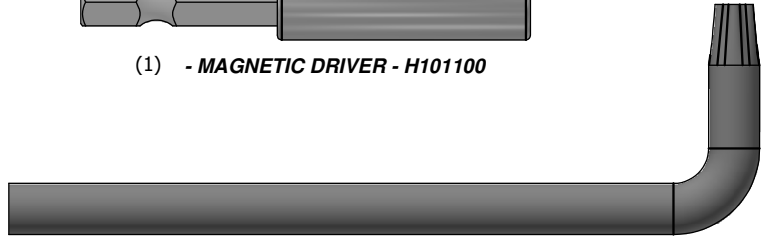
(1) - SCREW SETTER - H100764



(1) - MAGNETIC DRIVER - H101100



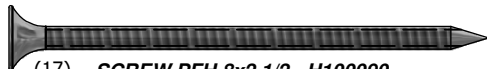
(1) - T-30 TORX BIT - H100147



(1) - T-30 TORX WRENCH - H100114



(13) - SCREW PFH 8x3 - H100092



(17) - SCREW PFH 8x2 1/2 - H100090



(7) - SCREW PFH 8x2 - H100111



(65) - SCREW PFH 8x1-3/4" - H100089



(207) - SCREW PFH 8x1-1/2" - H100086



(134) - SCREW PFH 8x1-1/4" - H100087



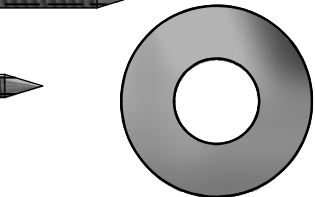
(218) - SCREW PFH 8x1-1/8" - H100088



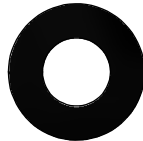
(4) - SCREW PFH 8x3/4 - H100121



(2) - SCREW PWH 8x5/8 - H100128



(13) - WASHER FLAT 11x25 - H100102



(11) - WASHER FLAT 9x18 BLK - H100474



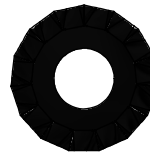
(2) - NUT LOCK 5/16 BLK - H100479



(4) - BOLT HEX 5/16x1 1/4 BLK - H100481



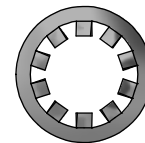
(2) - BOLT HEX 5/16x2-3/4 BLK - H100472



(193) - WASHER LOCK EXT 8x19 BLK - H100198



(10) - WASHER LOCK EXT 12x19 BLK - H100199



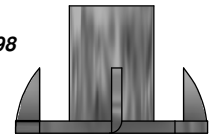
(13) - WASHER LOCK INT 10x18 - H100107



(2) - WASHER LOCK INT 8x15 BLK - H100473



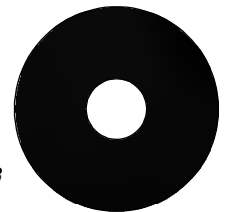
(4) - SCREW PWH 8x1/2 BLK - H100408



(13) - T-NUT 3/8 - H100073



(145) - T-NUT 5/16 BLK - H100379



(9) - WASHER FLAT 8x27 BLK - H100478



(7) - WASHER SPLIT 5/16 BLK - H100477



(13) - BOLT HEX 3/8x5 3/4 - H100056



(2) - BOLT HEX 5/16x4 1/4 BLK - H100476



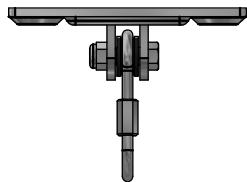
(12) - WASHER LOCK EXT 6x15 BLK - H100405

# Parts Identification

## Accessories (NOT TO SCALE)



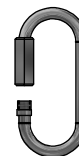
(1) - "A" REVISION TAG - A100314



(6) - SWING HANGER - A4M00505



(1) - BYD ID TAG (LARGE) AGES 3-10 - A100164



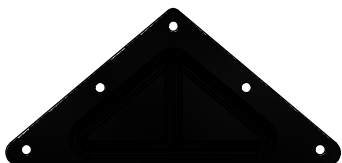
(6) - QUICK LINK - A100069



(2) - SWING SEAT GREEN 22" - A6P00054



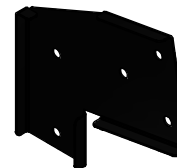
(1) SLIDE VF 10 FT - A100287 or A6P00539 or A6P00540



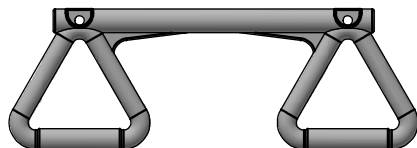
(2) - TRIANGLE PLATE 100° 5 HOLE - A4M00614



(2) - L BRACKET 66x66x127 - BLK - A4M00619



(1) - SWING BEAM EXTENSION BRACKET-LEFT - A4M00617



(1) - TRAPEZE YELLOW - A6P00034



(1) - SWING BEAM EXTENSION BRACKET-RIGHT - A4M00618



(12) - METAL RUNG 547 - A4M00616



(8) - AUGER GROUND STAKE - A100178



(6) - 90° L-BRACKET - BLK - A4M00555



(2) - L BRACKET BLK - A4M00615  
2.5x38x50x55



(1) - PLASTIC CURTAIN ROD - A6P00090



(4) - HAND GRIP METAL BLACK 381 c/c - A4M00613

(15) - METAL TUBE - A4M00620

(23) - METAL TUBE - A4M00597



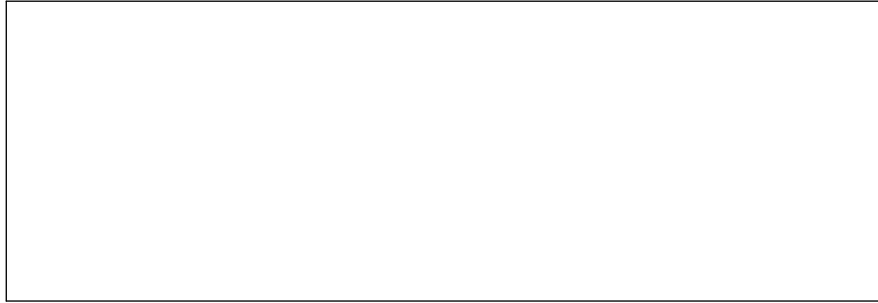
(2) - CHAIN GREEN 31" - A100177



(4) - CHAIN GREEN 57" - A100047

# **Parts Identification**

*Accessories*  
**(NOT TO SCALE)**



(1) - *HAMMOCK* - A6P00066



(2) - *CURTAIN* - A6P00089

# PRE-ASSEMBLY STEP 1 - SORTING PARTS

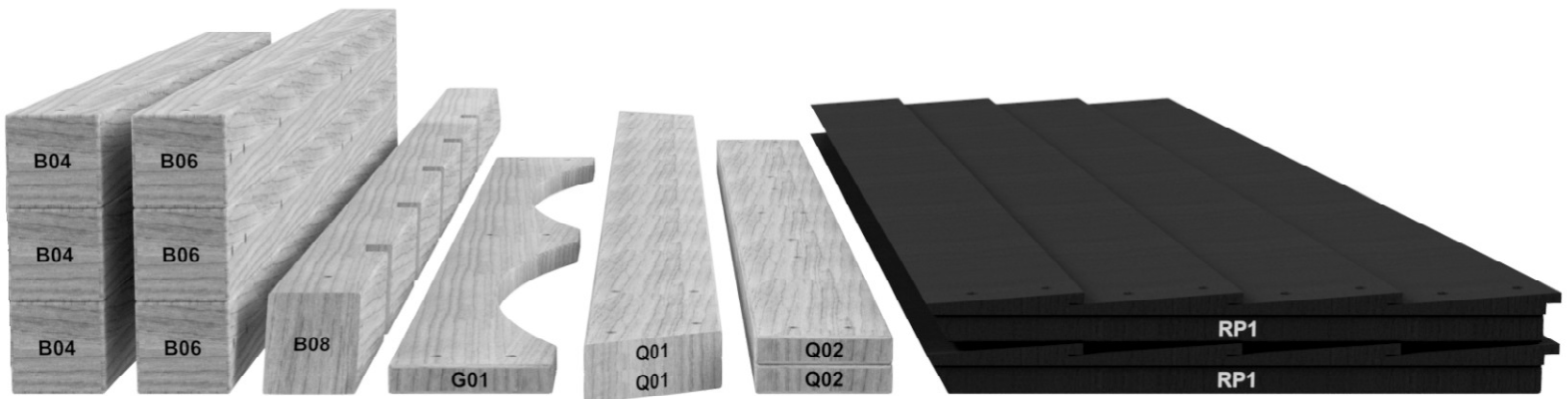
It is critical for ease of assembly that you take the time to sort and organize the wood and hardware.

---

## WOOD PARTS:

- Organize wood parts by the three-digit, alpha-numeric number stamped on each board (ex. P01).
- If there are multiple boards with the same stamped number, stack those pieces together.
- Stamps can be found on the flat surface of the boards or on the end of the boards.
- Allow yourself plenty of room - the wood pieces can take up a significant amount of space.

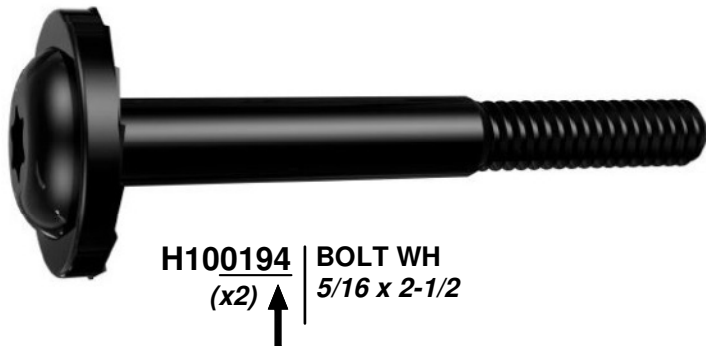
**NOTE: CARTONS ARE NOT ORGANIZED BY BOARD NUMBER.**



---

## HARDWARE PARTS:

- We recommend that you have a separate table to organize the hardware.
- Hardware bags are printed with a seven-digit, alpha-numeric part number.
- You can organize your hardware by part number or group by hardware type (i.e. bolts, nuts, etc.).
- During assembly you only need to reference the last four digits of the number.



# PRE-ASSEMBLY STEP 2 - TOOLS REQUIRED



**Cordless Drill or  
Electric Drill**



**Drill Attachments:  
Phillips Head**



**1/8", 3/16", 3/8" & 7/16"  
Drill Bits**



**Phillips Screw Driver**



**Open End Wrenches 1/2" & 9/16"**



**3/8" Drive Ratchet, 1/2" &  
9/16" STD Sockets 1/2" & 9/16" Deep  
Sockets**



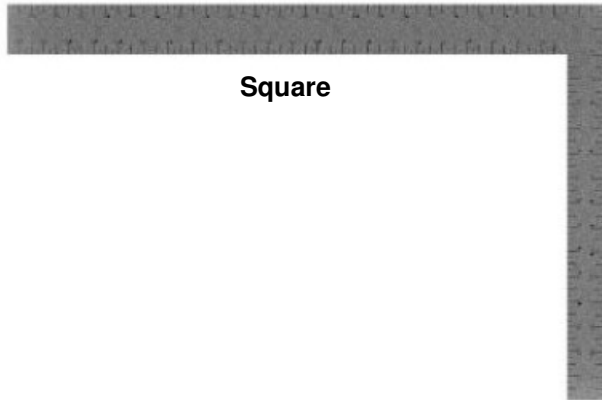
**Claw Hammer**



**Rubber Mallet - Optional**



**Tape Measure**



**Square**





**Level 24"**

# PRE-ASSEMBLY STEP 3 - CHOOSE YOUR ASSEMBLY METHOD

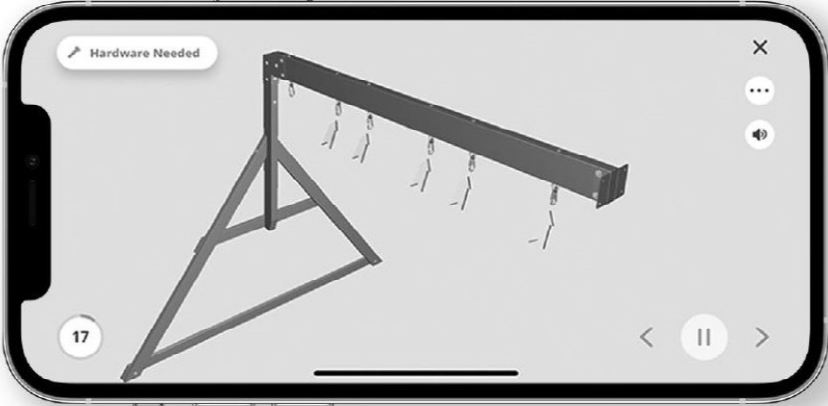


There are several types of assembly instructions available to you.

1. Printed Assembly Manual included with your set
2. BILT APP - 3D interactive instructions
3. Combination of the Printed Manual and BILT APP (Note: Step numbers can differ between the two methods)

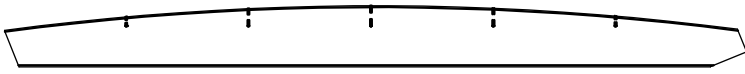


## Scan for easy 3D instructions

Download the BILT app  
before you begin



The image shows a smartphone screen displaying the BILT app interface. The screen features a 3D assembly diagram of a metal frame with a horizontal beam and several hanging components. The interface includes a 'Hardware Needed' button at the top left, a close button (X) at the top right, a menu button (three dots) and a volume icon below it, and a page number '17' in a circle at the bottom left. At the bottom center, there are navigation arrows and a pause button.



(2) **G2 - LADDER UPRIGHT - W4L06144**  
1"x5 1/4"x64 1/2" (24x134x1637)

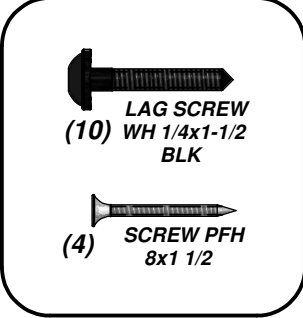


(1) **M20 - ATTACHMENT BOARD - W4L06146**  
5/8"x3 3/8"x21 1/2" (16x86x547)



(5) - **METAL RUNG 547 - A4M00616**

## LADDER ASSEMBLY



**LAG SCREW**  
(10) WH 1/4x1-1/2  
BLK

(4) **SCREW PFH**  
8x1 1/2

HOLES TOWARD BOTTOM

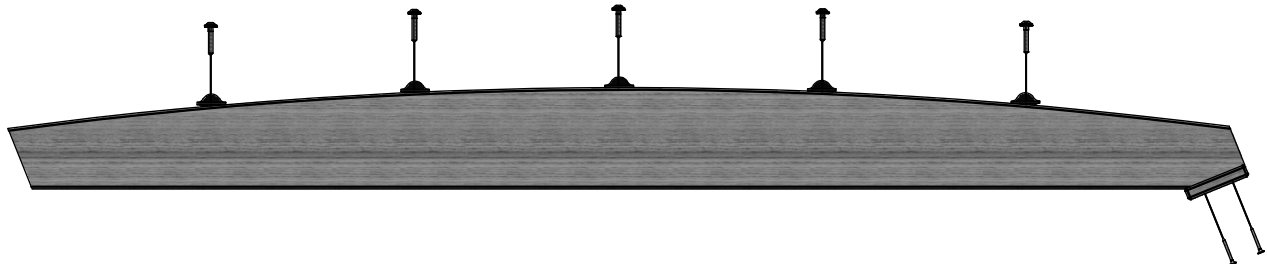
LAG SCREW WH 1/4x1-1/2 BLK  
(10 PLCS)

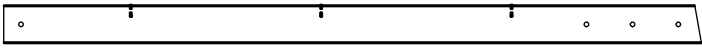
G2

SCREW PFH 8x1 1/2  
(4 PLCS)

G2

METAL RUNG 547  
(5 PLCS)





(1) E74 - MONKEY BAR RAIL - W4L06149  
1 3/8"x3 3/8"x60 5/8" (36x86x1539)

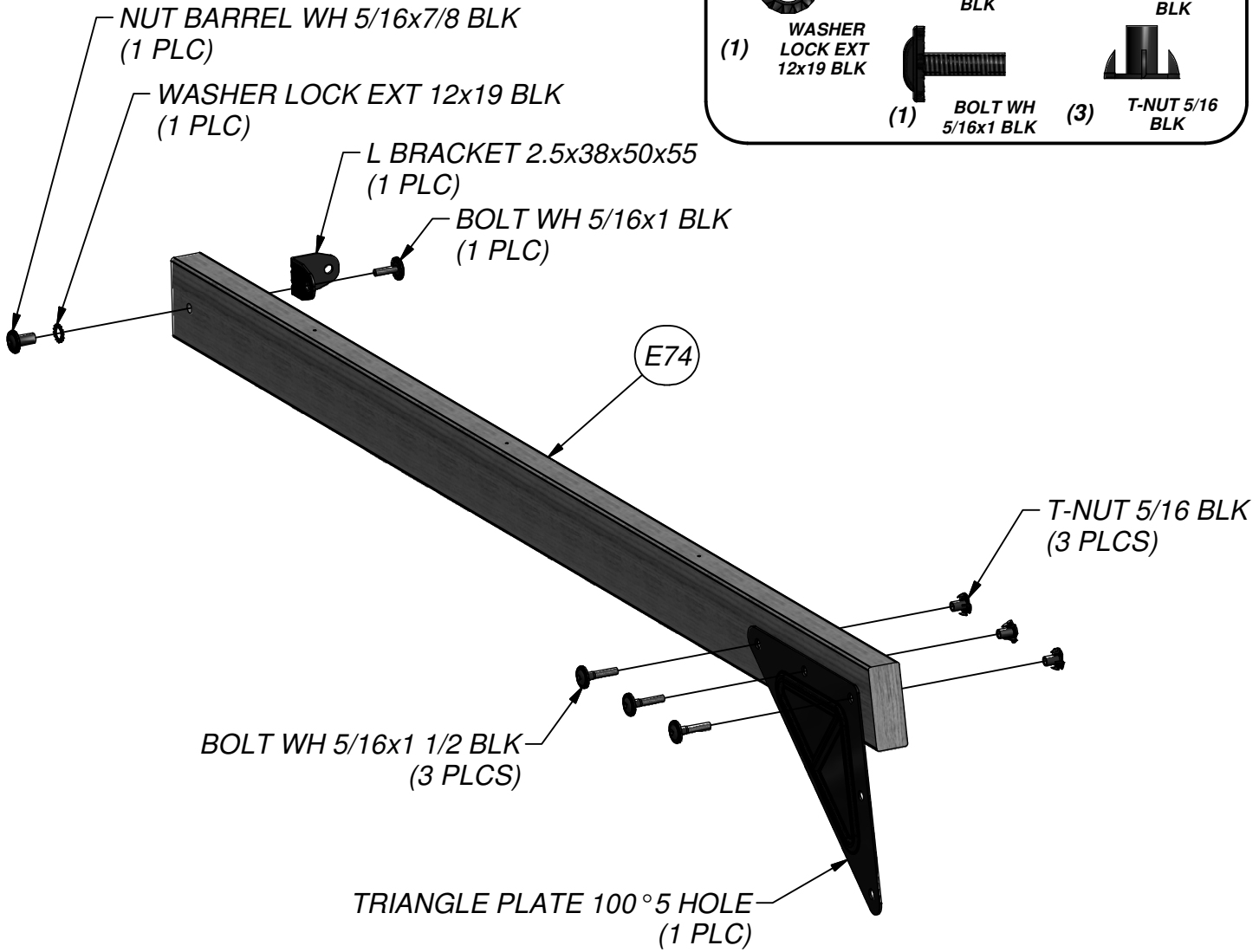
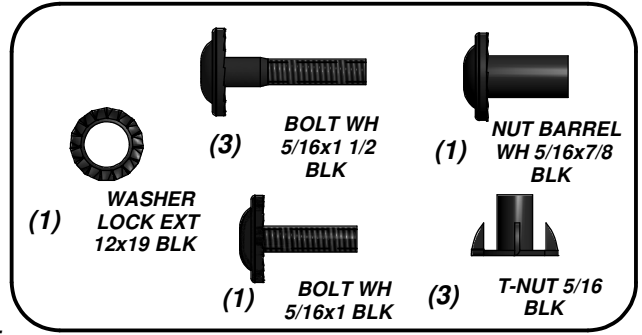


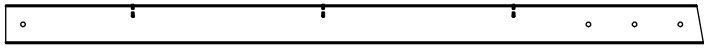
(1) - TRIANGLE PLATE 100° 5 HOLE - A4M00614



(1) - L BRACKET 2.5x38x50x55 - A4M00615

**MONKEY BAR ASSEMBLY  
STEP 1**





(1) **E74 - MONKEY BAR RAIL - W4L06149**  
 1 3/8"x3 3/8"x60 5/8" (36x86x1539)

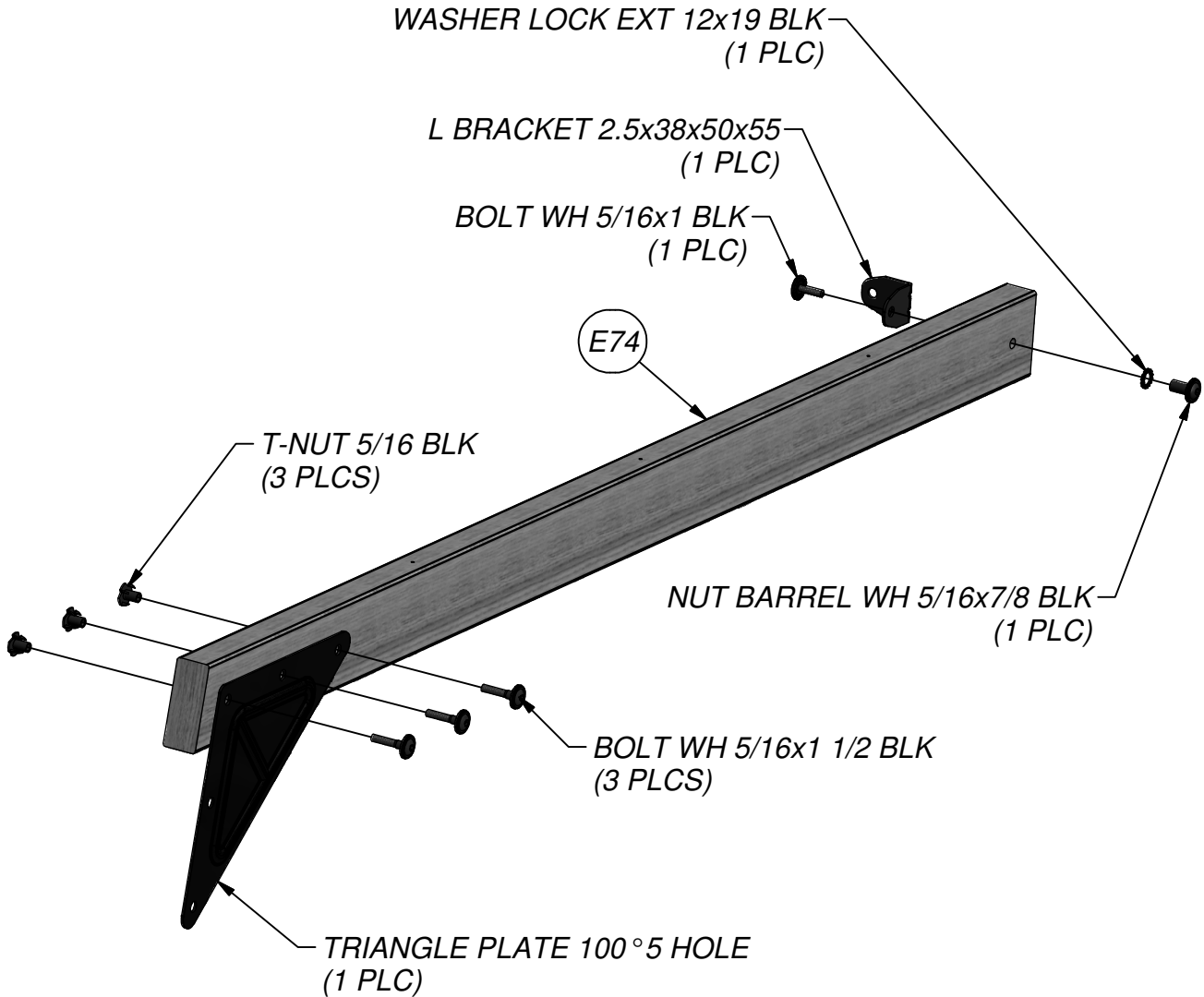
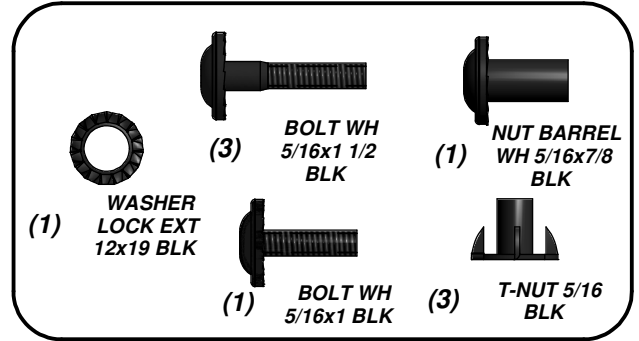


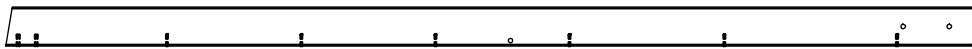
(1) - **TRIANGLE PLATE 100° 5 HOLE - A4M00614**



(1) - **L BRACKET 2.5x38x50x55 - A4M00615**

**MONKEY BAR ASSEMBLY**  
**STEP 2**



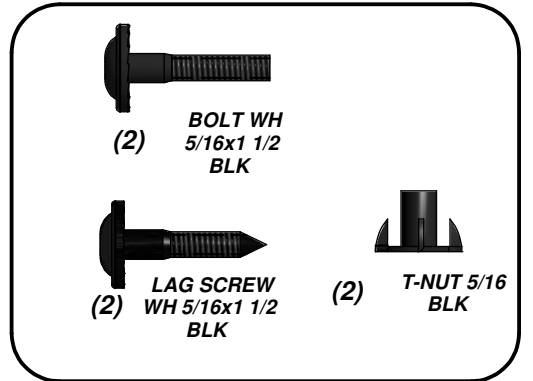
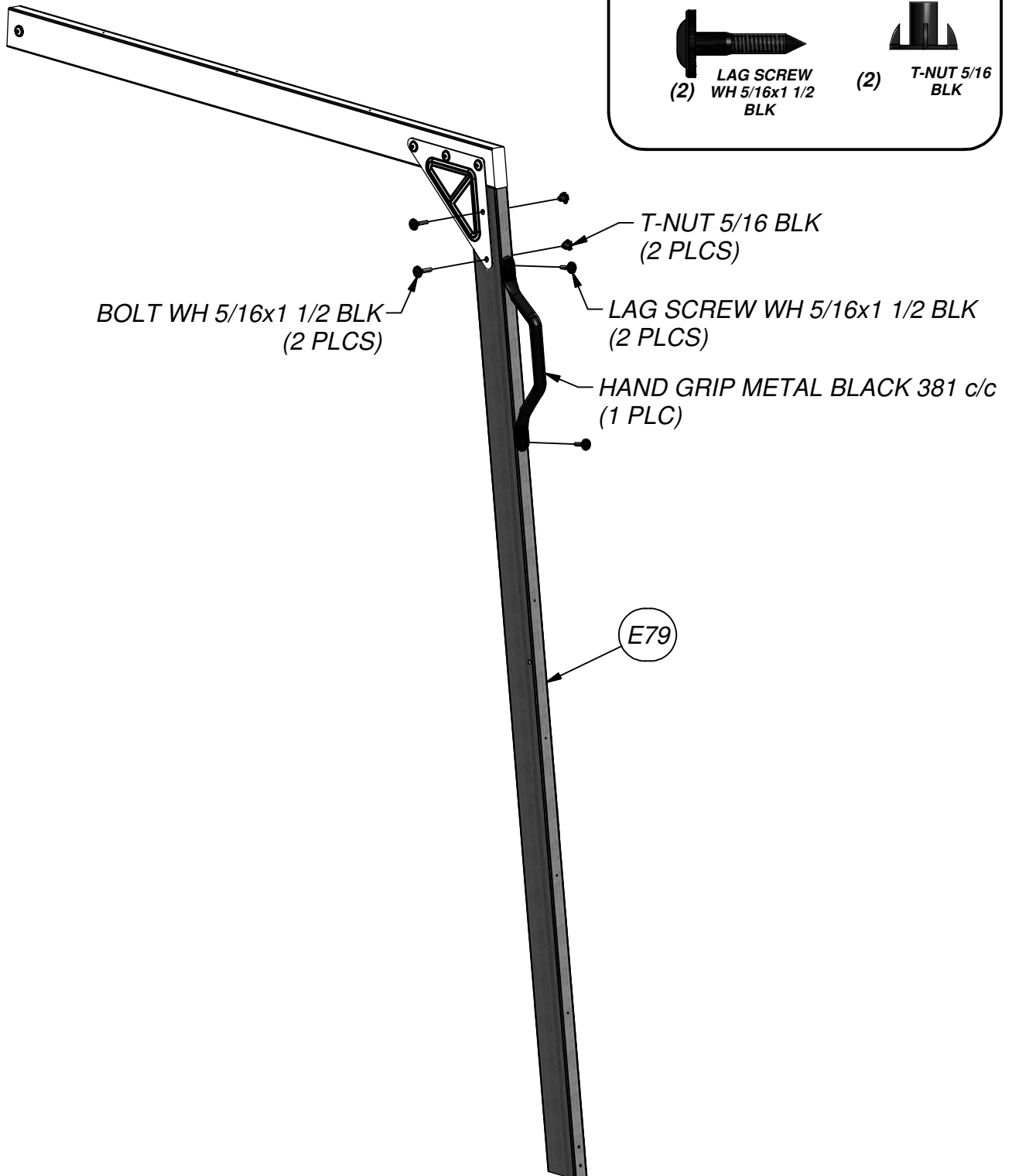


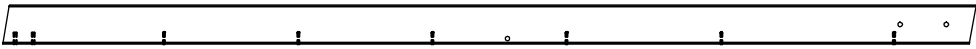
(1) **E79 - MONKEY BAR UPRIGHT - W4L06150**  
 1 3/8"x3 3/8"x84 1/2" (36x86x2148)



(1) - **HAND GRIP METAL BLACK 381 c/c - A4M00613**

**MONKEY BAR ASSEMBLY**  
**STEP 3**



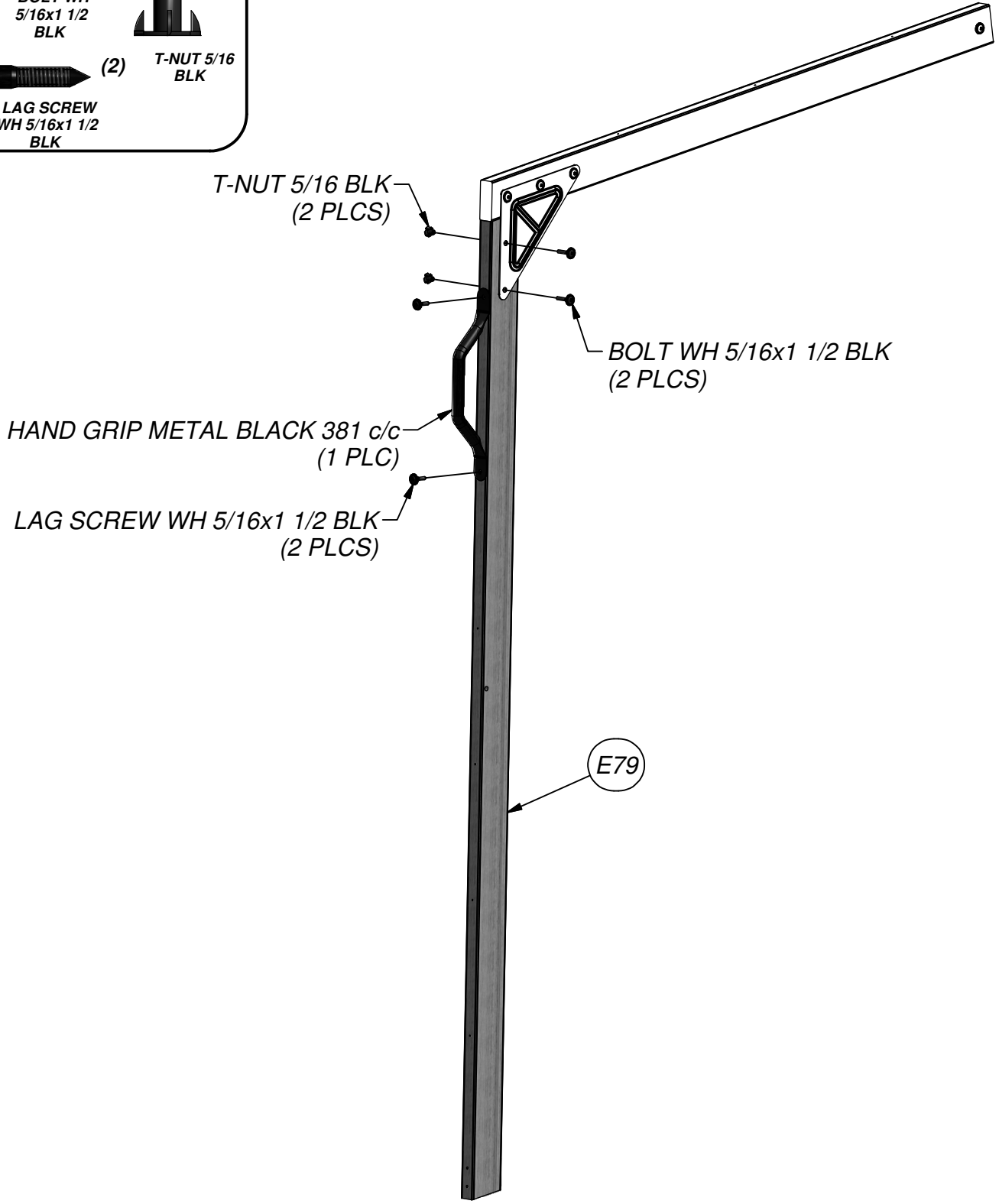
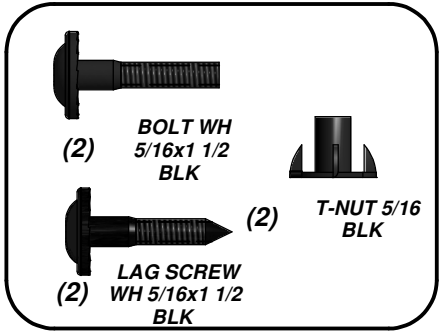


(1) **E79 - MONKEY BAR UPRIGHT - W4L06150**  
 1 3/8"x3 3/8"x84 1/2" (36x86x2148)



(1) - **HAND GRIP METAL BLACK 381 c/c - A4M00613**

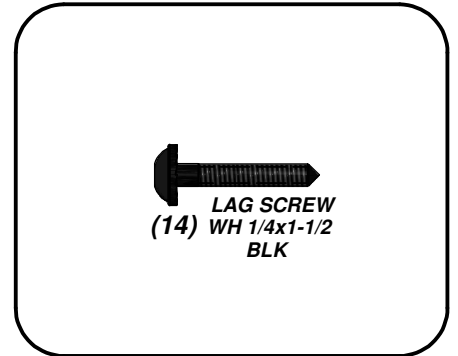
**MONKEY BAR ASSEMBLY**  
**STEP 4**





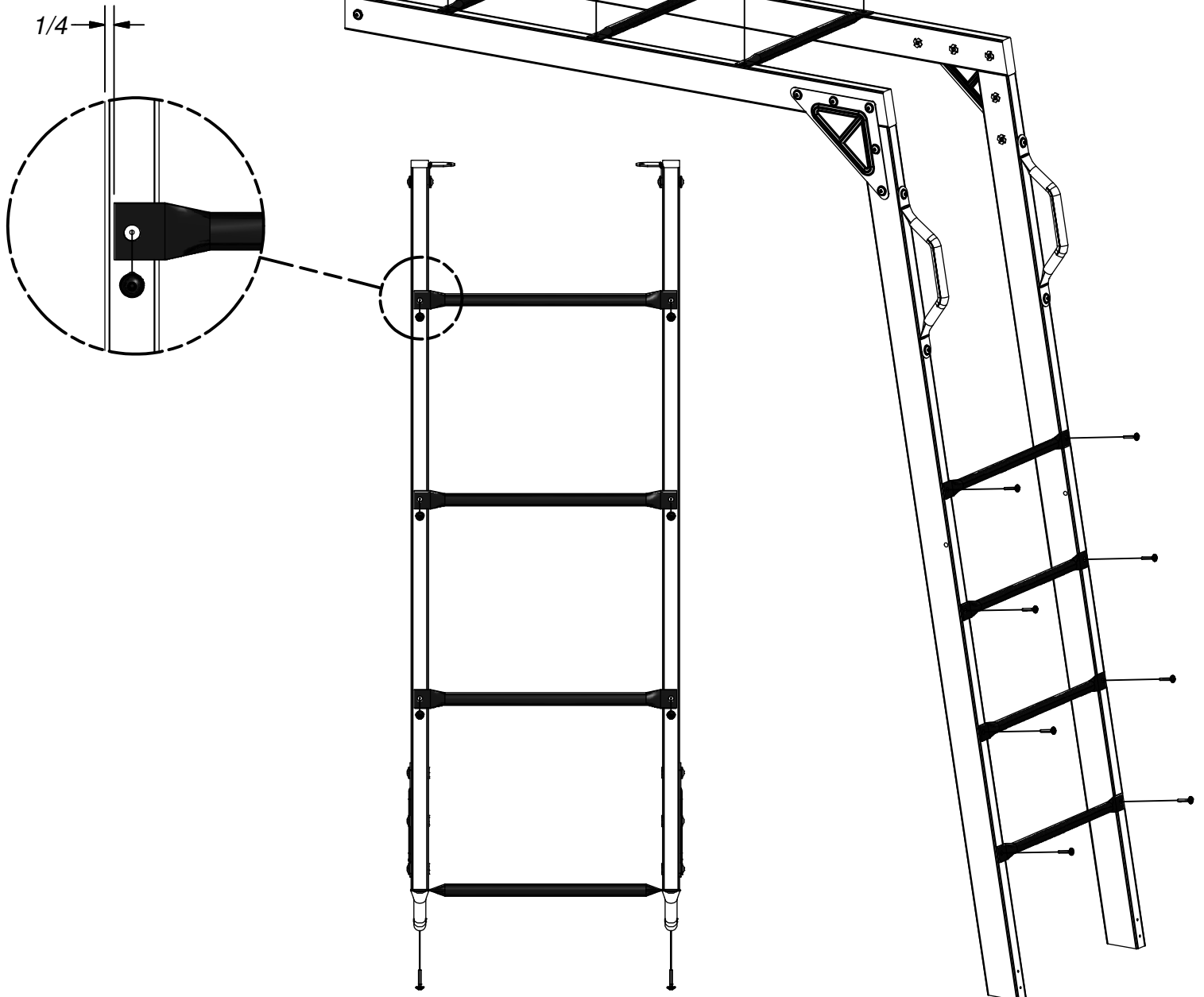
(7) - METAL RUNG 547 - A4M00616

**MONKEY BAR ASSEMBLY  
STEP 5**



LAG SCREW WH 1/4x1-1/2 BLK  
(14 PLCS)

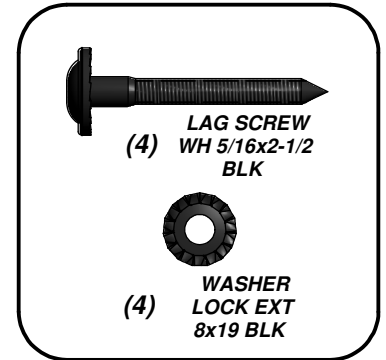
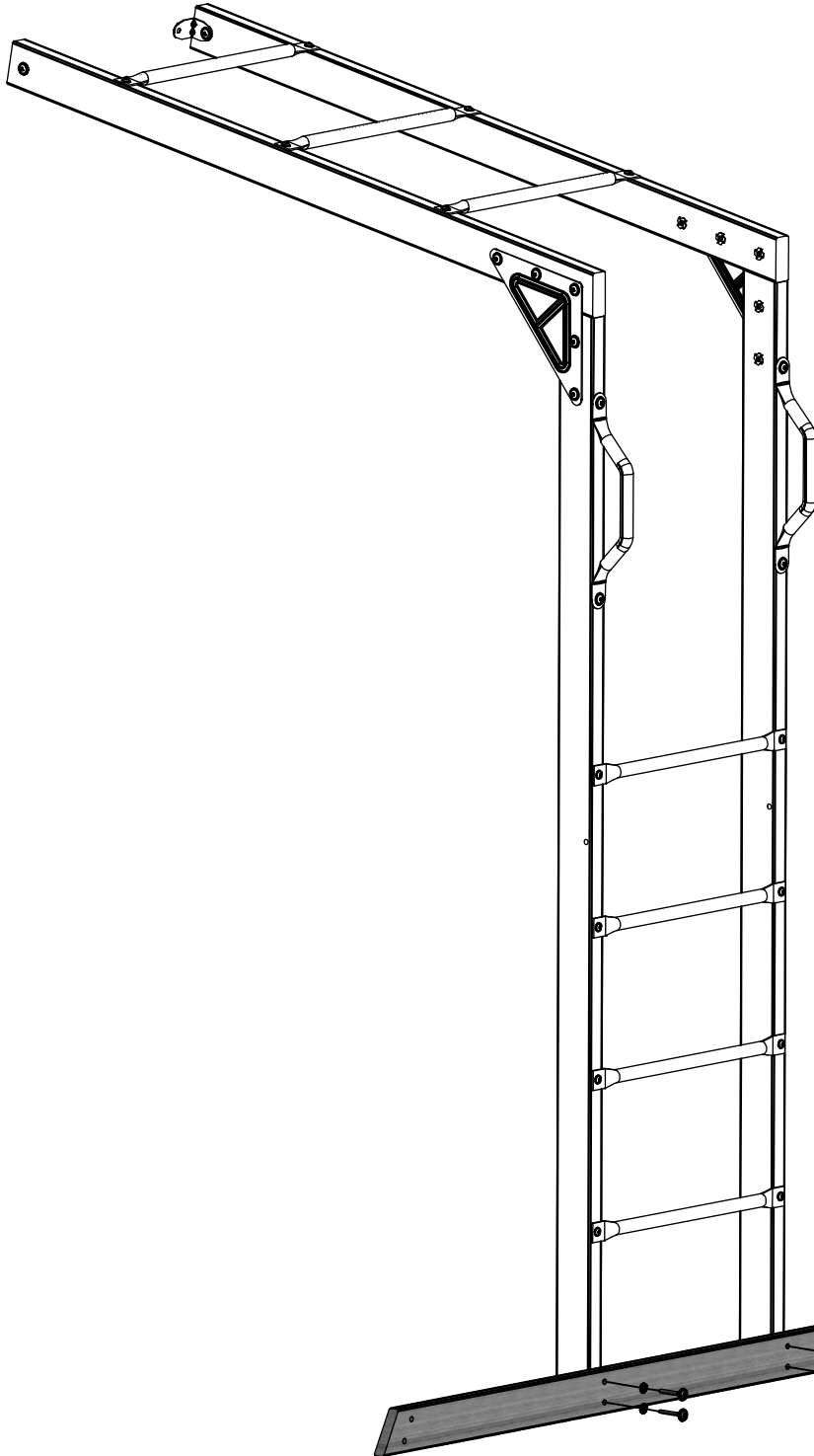
METAL RUNG 547  
(7 PLCS)





- (1) **H82 - MONKEY BAR GROUND BOARD - W4L06168**  
1"x3 3/8"x70 3/8" (24x86x1786)

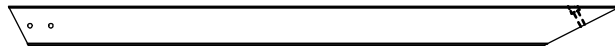
**MONKEY BAR ASSEMBLY**  
**STEP 6**



H82

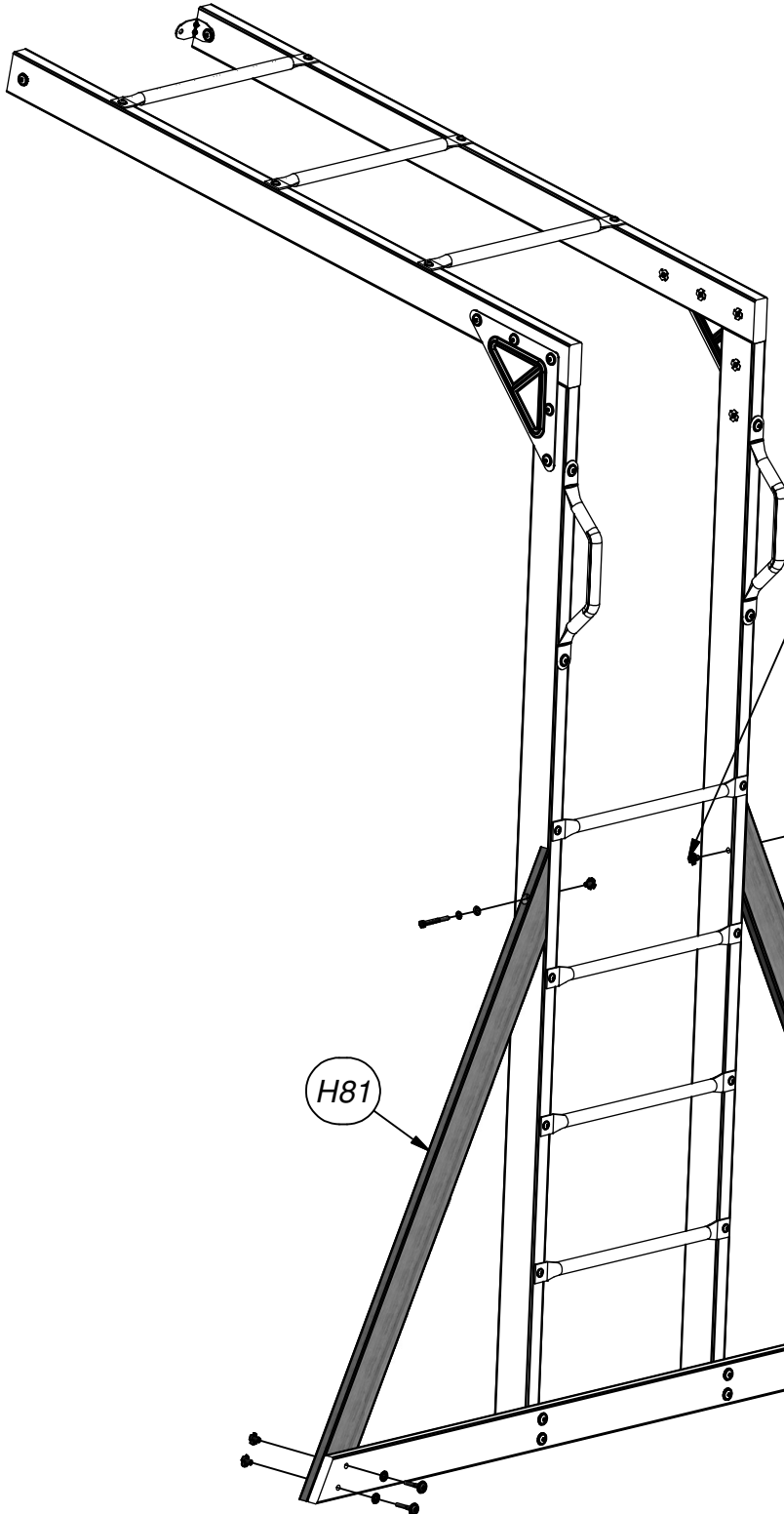
LAG SCREW WH 5/16x2-1/2 BLK  
(4 PLCS)


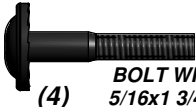




WASHER LOCK EXT 8x19 BLK  
(4 PLCS)



(2) **H81 - MONKEY BAR BRACE - W4L06151**  
1"x3 3/8"x53 1/4" (24x86x1352)

### MONKEY BAR ASSEMBLY STEP 7



 (2) <b>WASHER LOCK INT 8x15 BLK</b>	 (4) <b>BOLT WH 5/16x1 3/4 BLK</b>	 (6) <b>T-NUT 5/16 BLK</b>
 (2) <b>WASHER FLAT 9x18 BLK</b>	 (2) <b>BOLT HEX 5/16x2-3/4 BLK</b>	 (4) <b>WASHER LOCK EXT 8x19 BLK</b>

T-NUT 5/16 BLK  
(2 PLCS)

WASHER FLAT 9x18 BLK  
(2 PLCS)

WASHER LOCK INT 8x15 BLK  
(2 PLCS)

BOLT HEX 5/16x2-3/4 BLK  
(2 PLCS)

H81

H81

T-NUT 5/16 BLK  
(4 PLCS)

BOLT WH 5/16x1 3/4 BLK  
(4 PLCS)

WASHER LOCK EXT 8x19 BLK  
(4 PLCS)



(1) **A50 - SWING BEAM - W4L06169**  
 3 3/8"x5 1/4"x89 1/2" (86x134x2274)



(2) **- L BRACKET 66x66x127 - A4M00619**

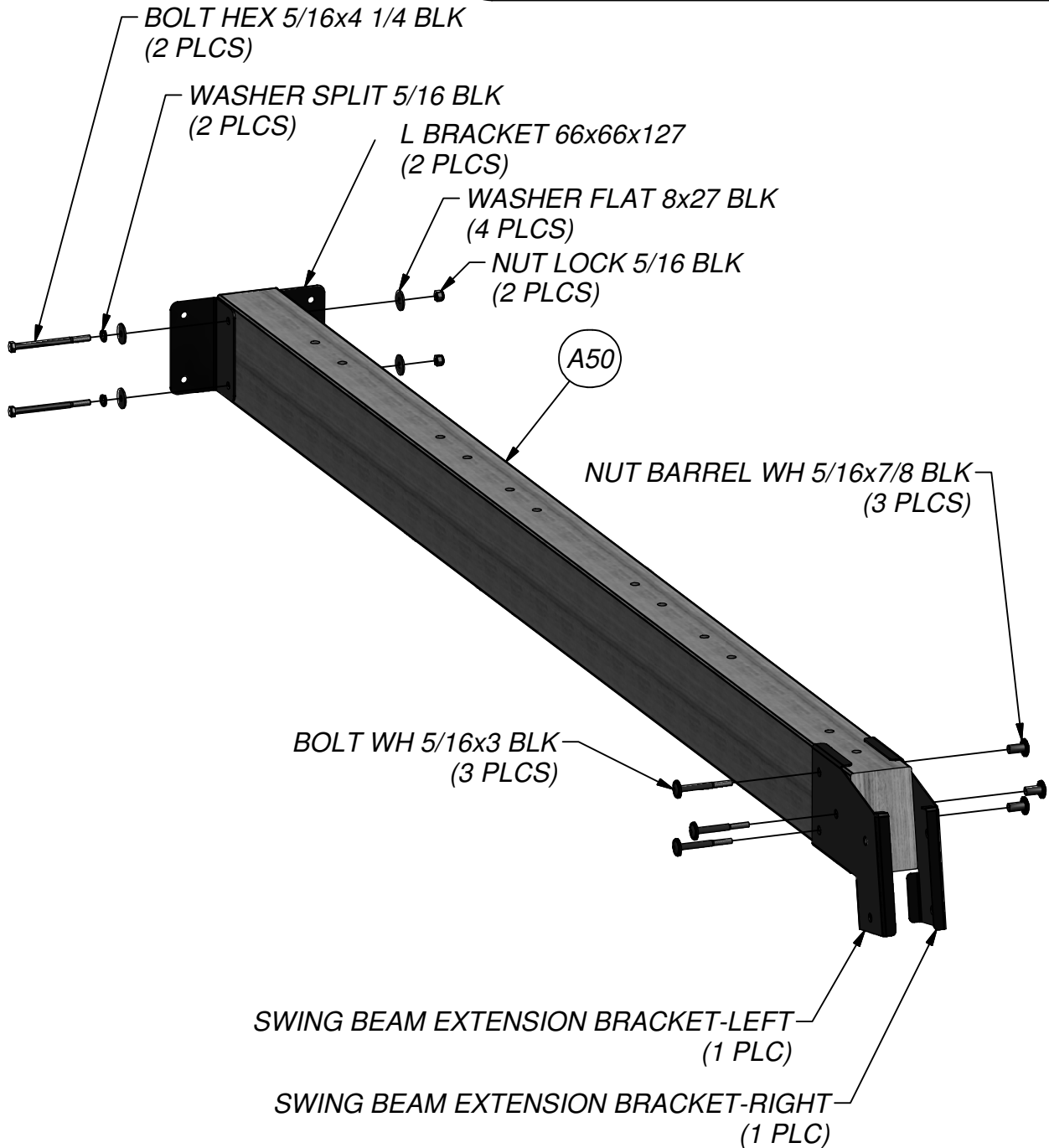
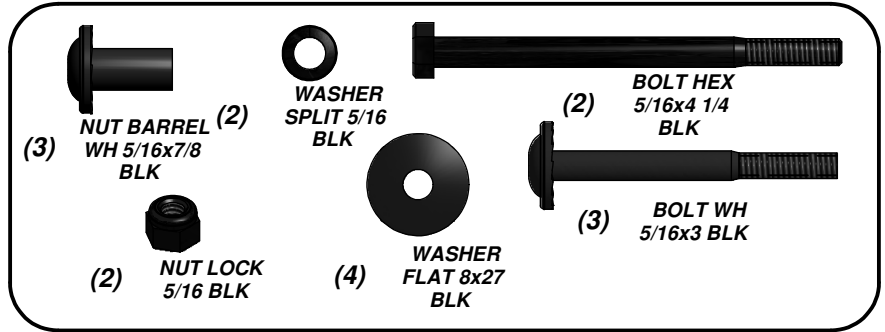


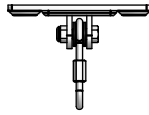
(1) **- SWING BEAM EXTENSION BRACKET-LEFT - A4M00617**



(1) **- SWING BEAM EXTENSION BRACKET-RIGHT - A4M00618**

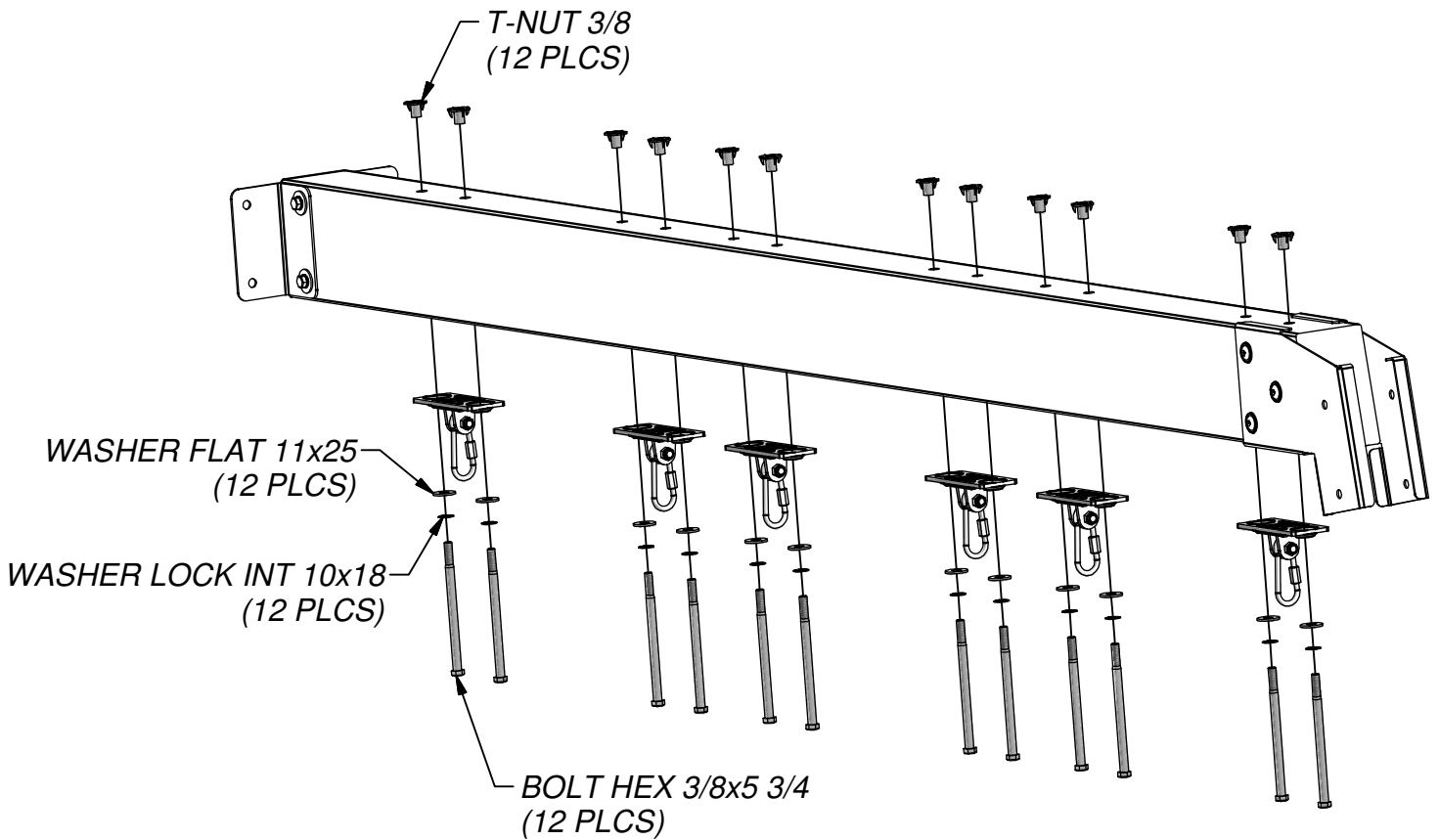
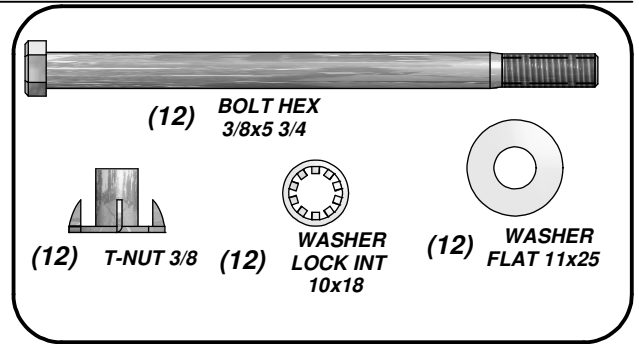
**SWING BEAM ASSEMBLY  
 STEP 1**

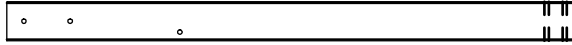




(6) BY - SWING HANGER- A4M00505

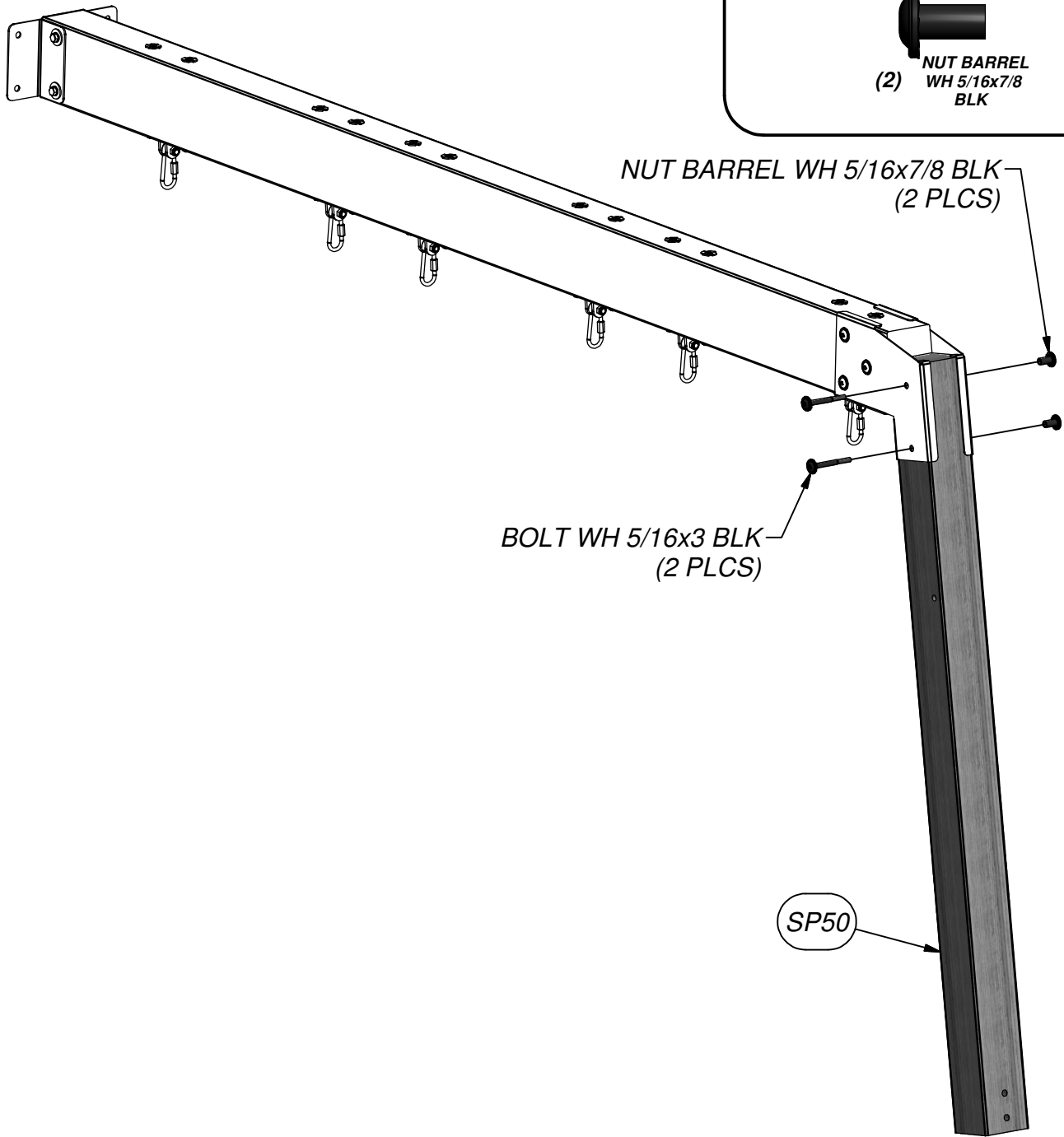
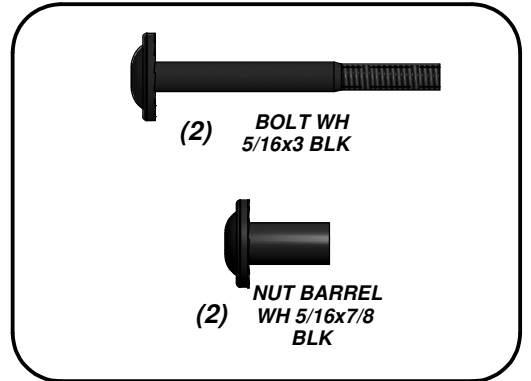
**SWING BEAM ASSEMBLY  
STEP 2**

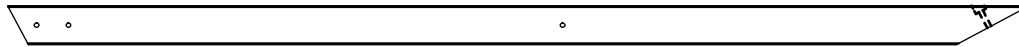




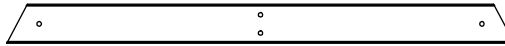
- (1) **SP50 - SWING BEAM SUPPORT - W4L06170**  
3 3/8"x3 3/8"x49 3/8" (86x86x1254)

**SWING BEAM ASSEMBLY  
STEP 3**



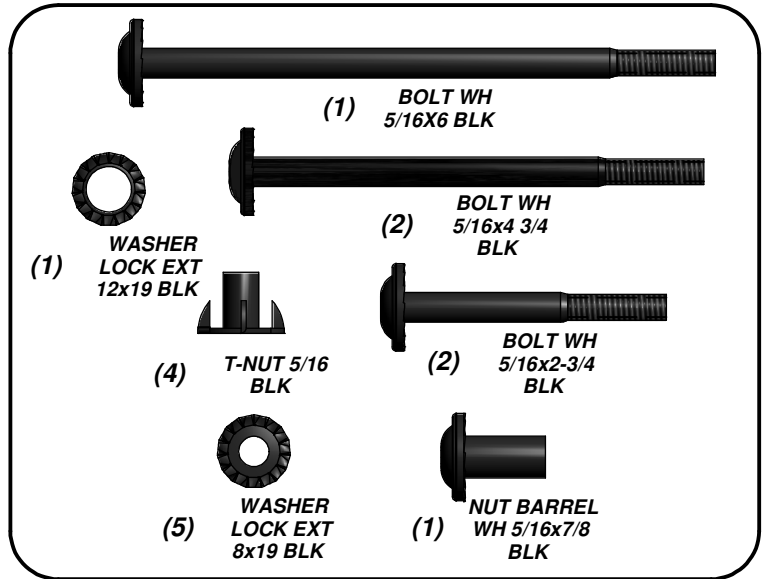
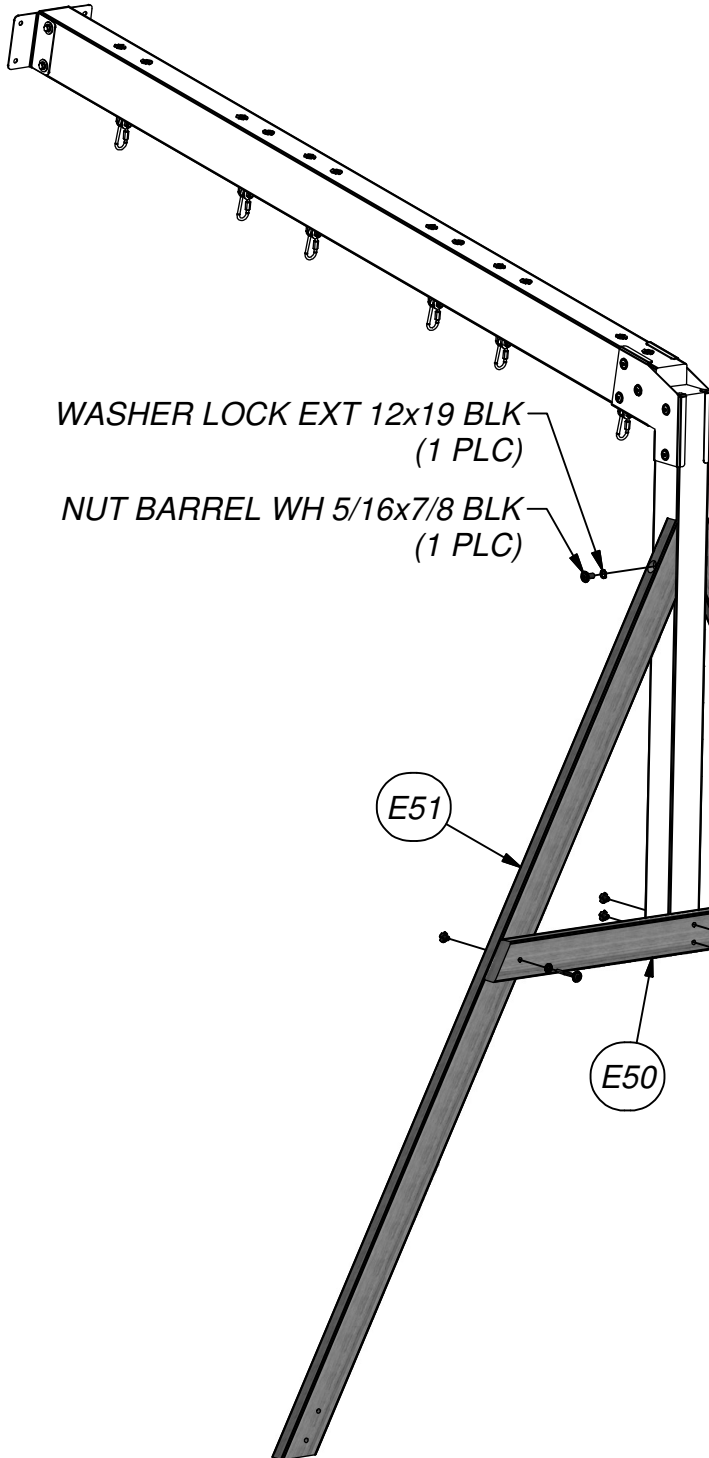


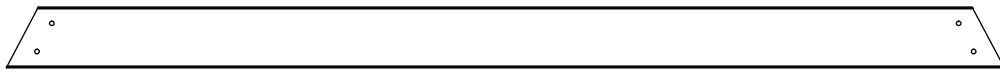
(2) **E51 - ANGLE BRACE - W4L06171**  
 1 3/8"x3 3/8"x88 3/4" (36x86x2254)



(1) **E50 - END SUPPORT - W4L06172**  
 1 3/8"x3 3/8"x44 1/8" (36x86x1120)

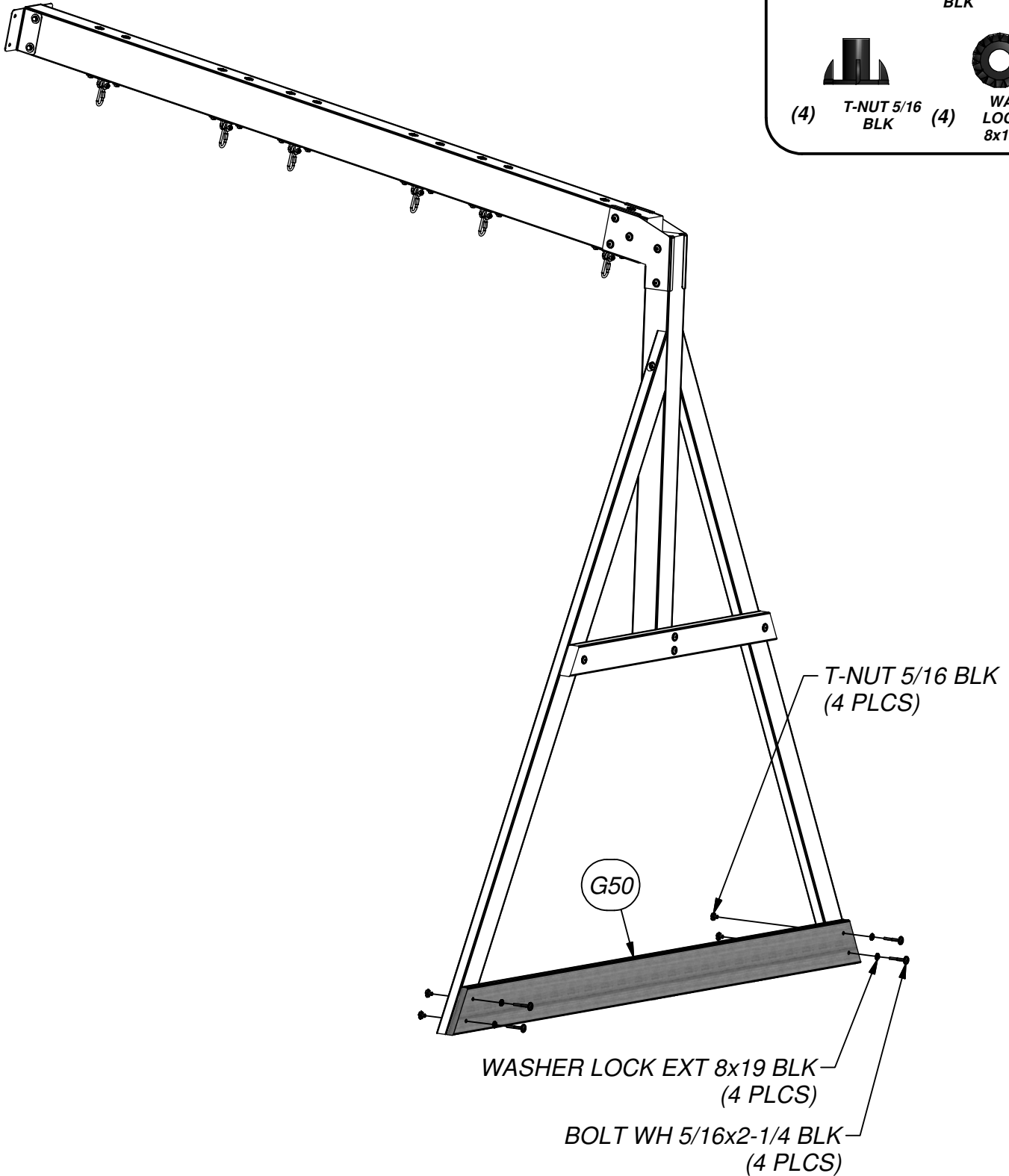
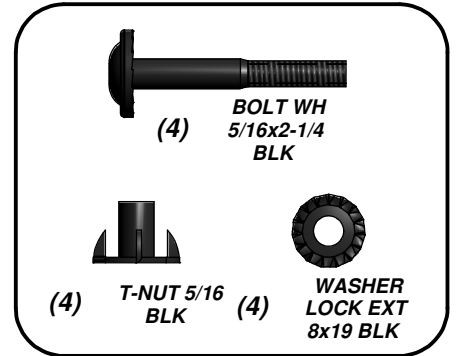
**SWING BEAM ASSEMBLY  
 STEP 4**





(1) **G50 - GROUND BOARD - W4L06173**  
1"x5 1/4"x86 3/4" (24x134x2202)

**SWING BEAM ASSEMBLY**  
**STEP 5**



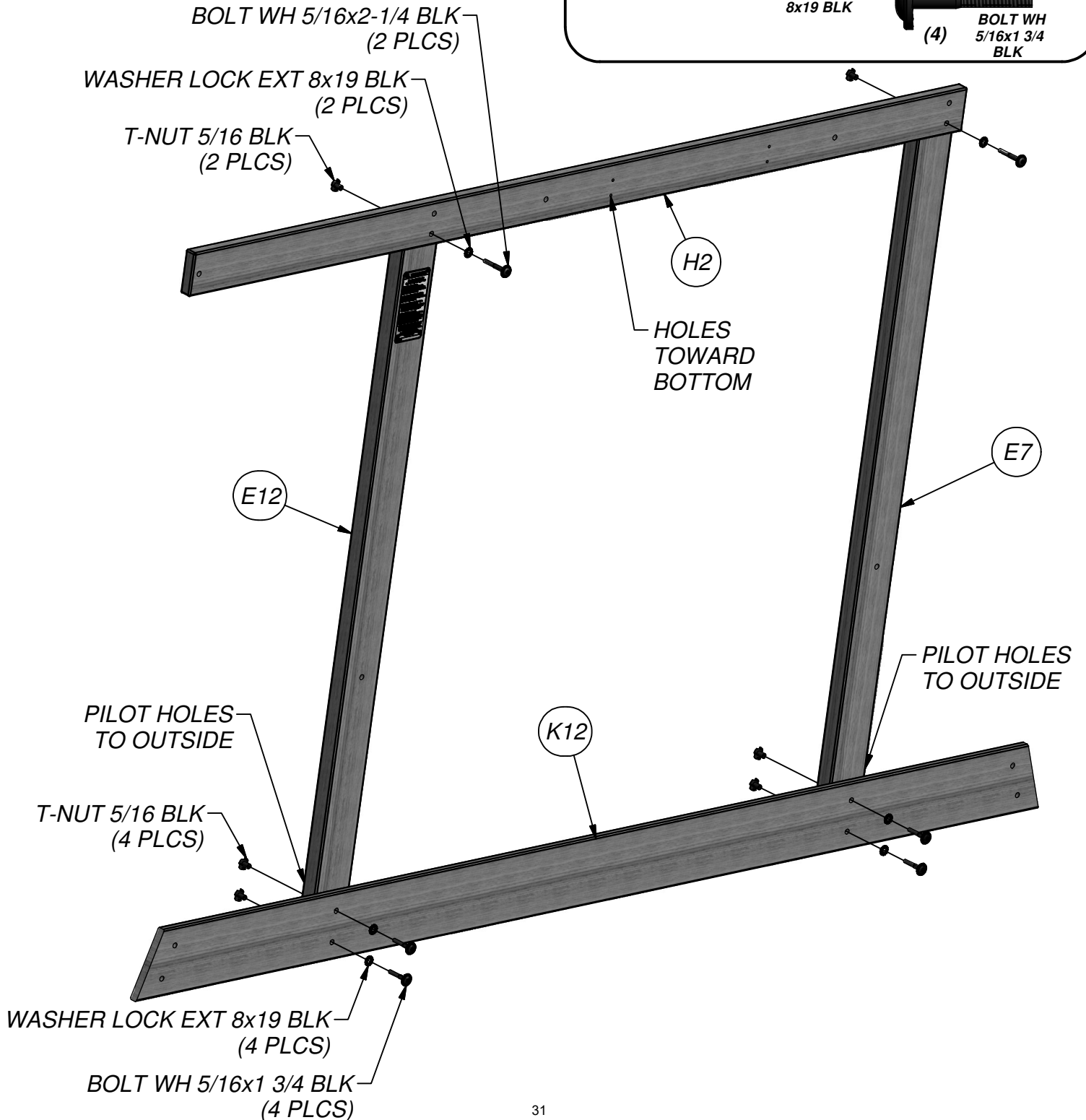
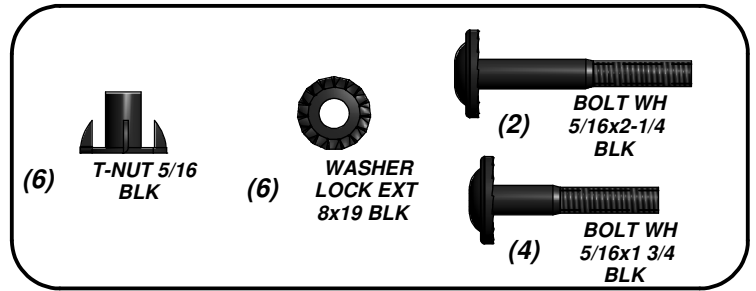
(1) E12 - UPRIGHT - W2A01864  
1 3/8"x3 3/8"x57 3/8" (36x86x1457)

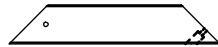
(1) E7 - UPRIGHT - W4L06051  
1 3/8"x3 3/8"x57 3/8" (36x86x1457)

(1) H2 - FLOOR SUPPORT - W4L06060  
1"x3 3/8"x76 3/4" (24x86x1948)

(1) K12 - GROUND BOARD - W4L06185  
5/8"x5 1/4"x89 1/2" (16x134x2274)

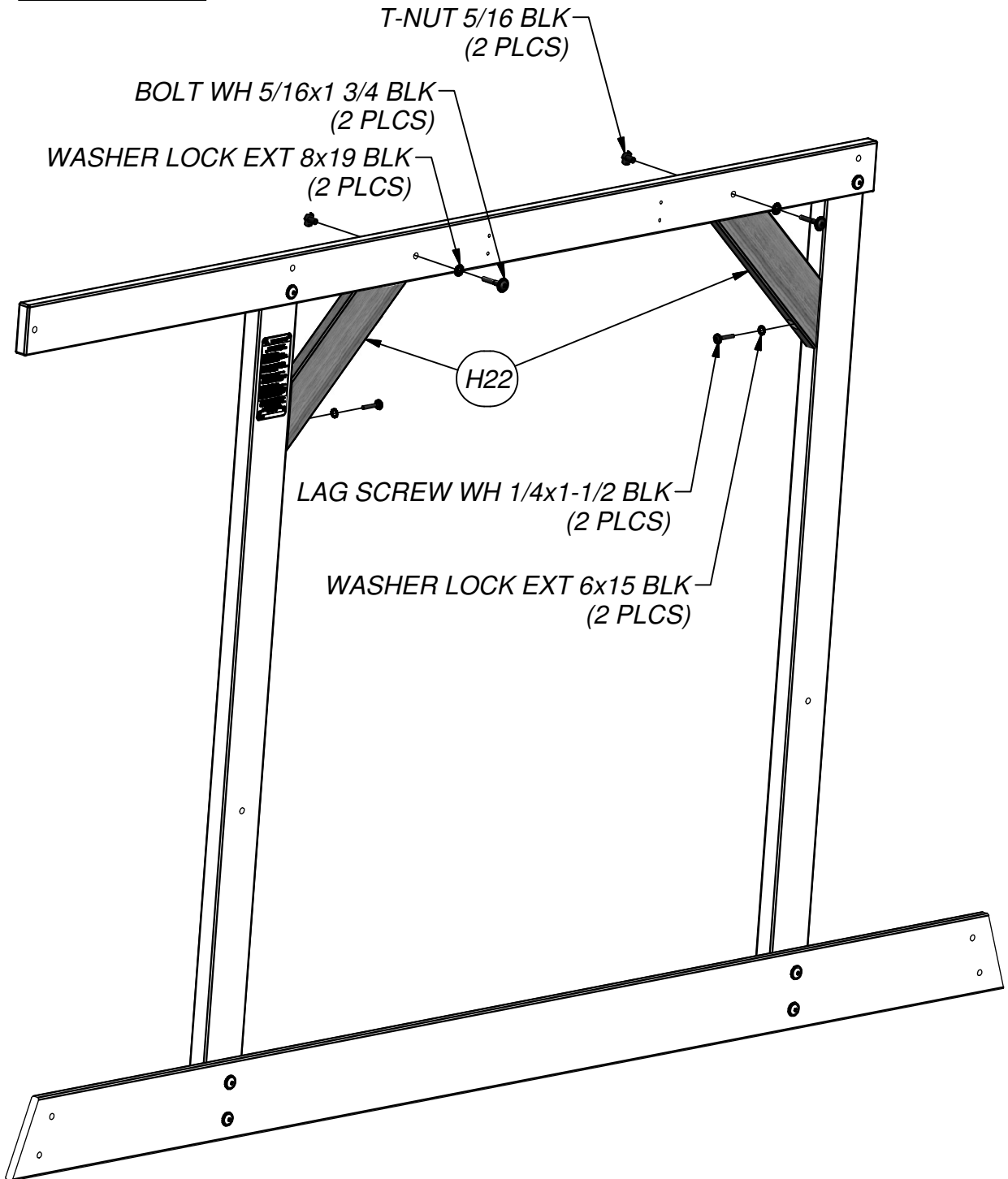
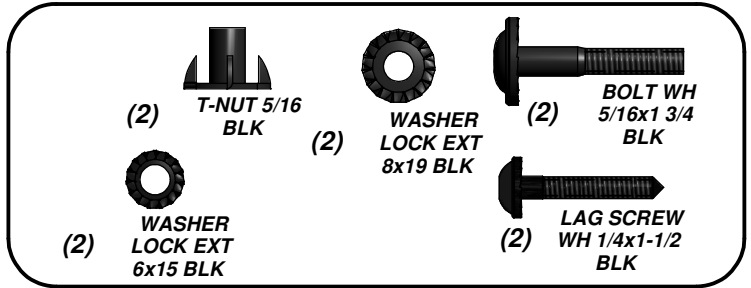
### STEP 1





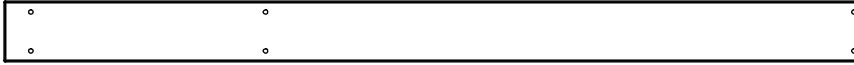
(2) **H22 - DECK BRACE - W4L06082**  
 1"x3 3/8"x18 3/8" (24x86x466)

**STEP 2**



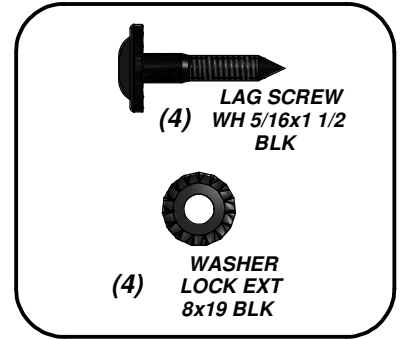


(1) **K1 - GROUND BOARD - W4L06052**  
5/8"x5 1/4"x74 1/2" (16x134x1893)



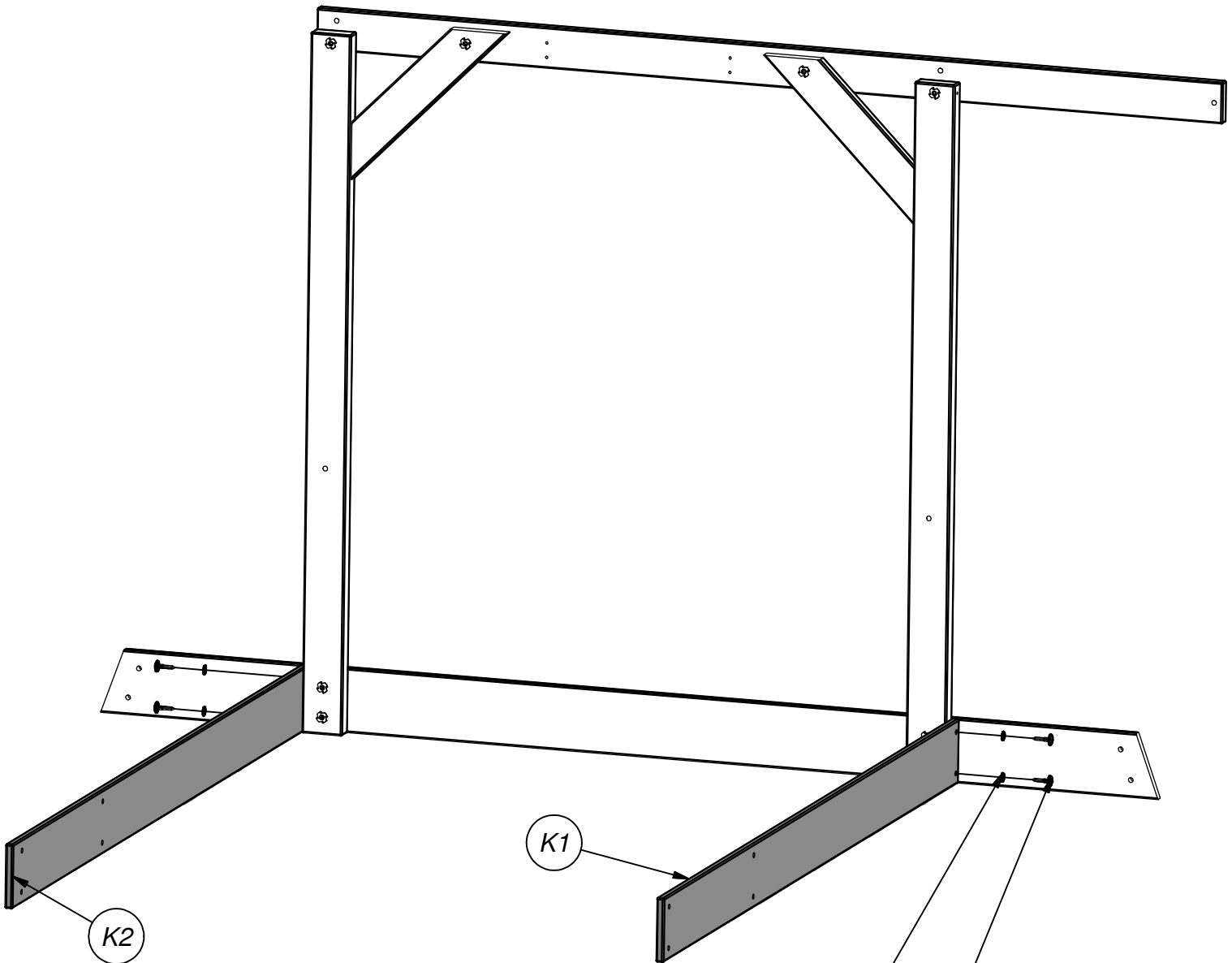
(1) **K2 - GROUND BOARD - W4L06056**  
5/8"x5 1/4"x74 1/2" (16x134x1893)

**STEP 3**



**LAG SCREW**  
(4) WH 5/16x1 1/2  
BLK

**WASHER  
LOCK EXT**  
(4) 8x19 BLK



WASHER LOCK EXT 8x19 BLK  
(4 PLCS)

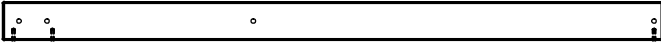
LAG SCREW WH 5/16x1 1/2 BLK  
(4 PLCS)



(1) **E8 - UPRIGHT - W4L06058**  
1 3/8"x3 3/8"x57 3/8" (36x86x1457)

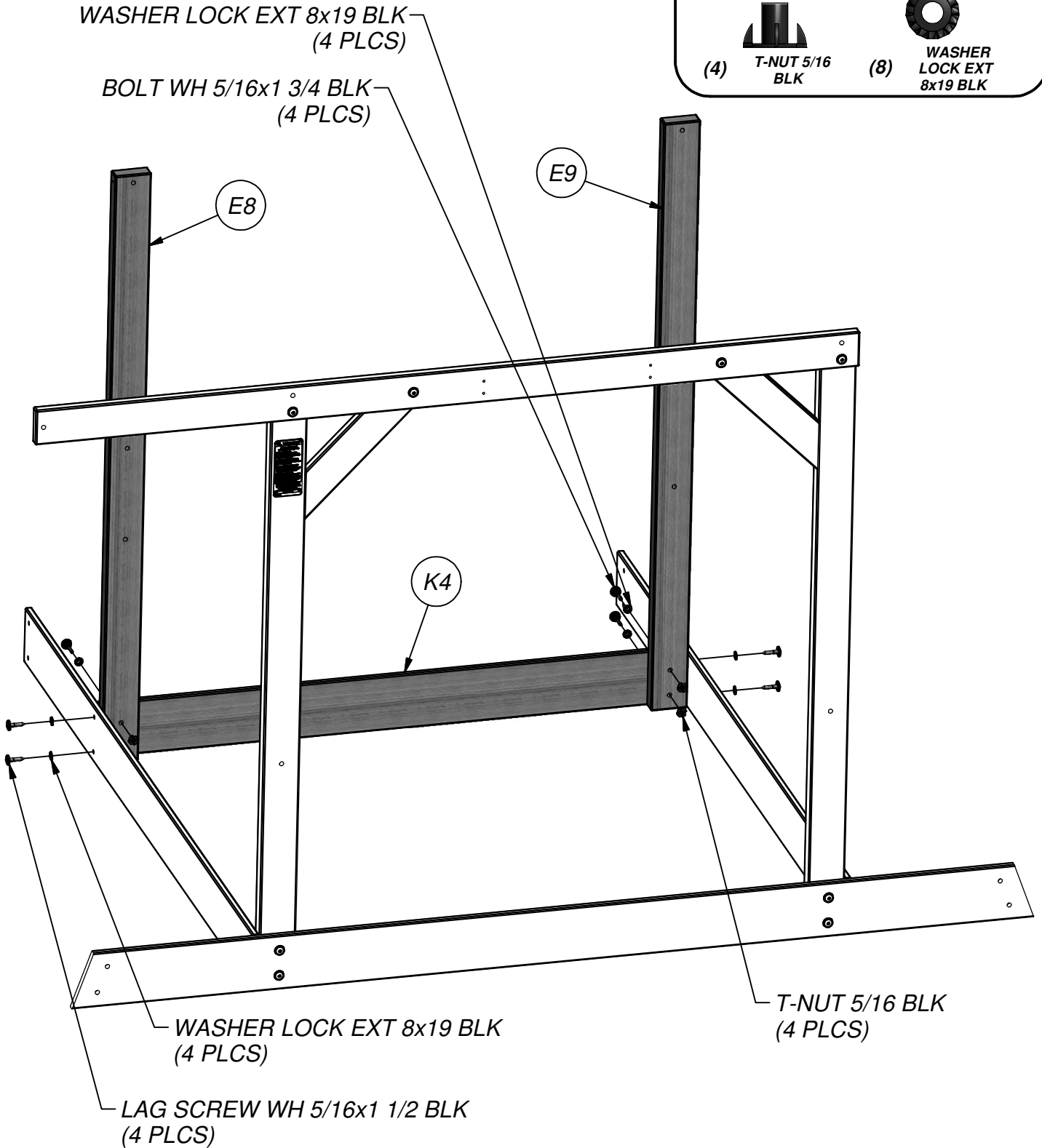
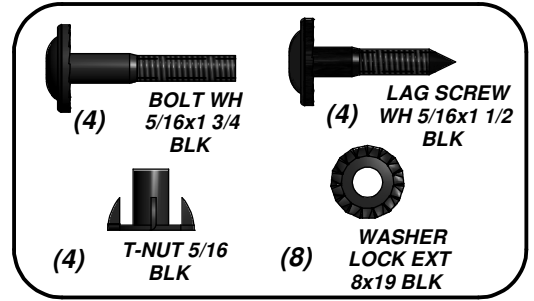


(1) **K4 - GROUND BOARD - W4L06049**  
5/8"x5 1/4"x54 1/2" (16x134x1384)



(1) **E9 - UPRIGHT - W4L06061**  
1 3/8"x3 3/8"x57 3/8" (36x86x1457)

### STEP 4



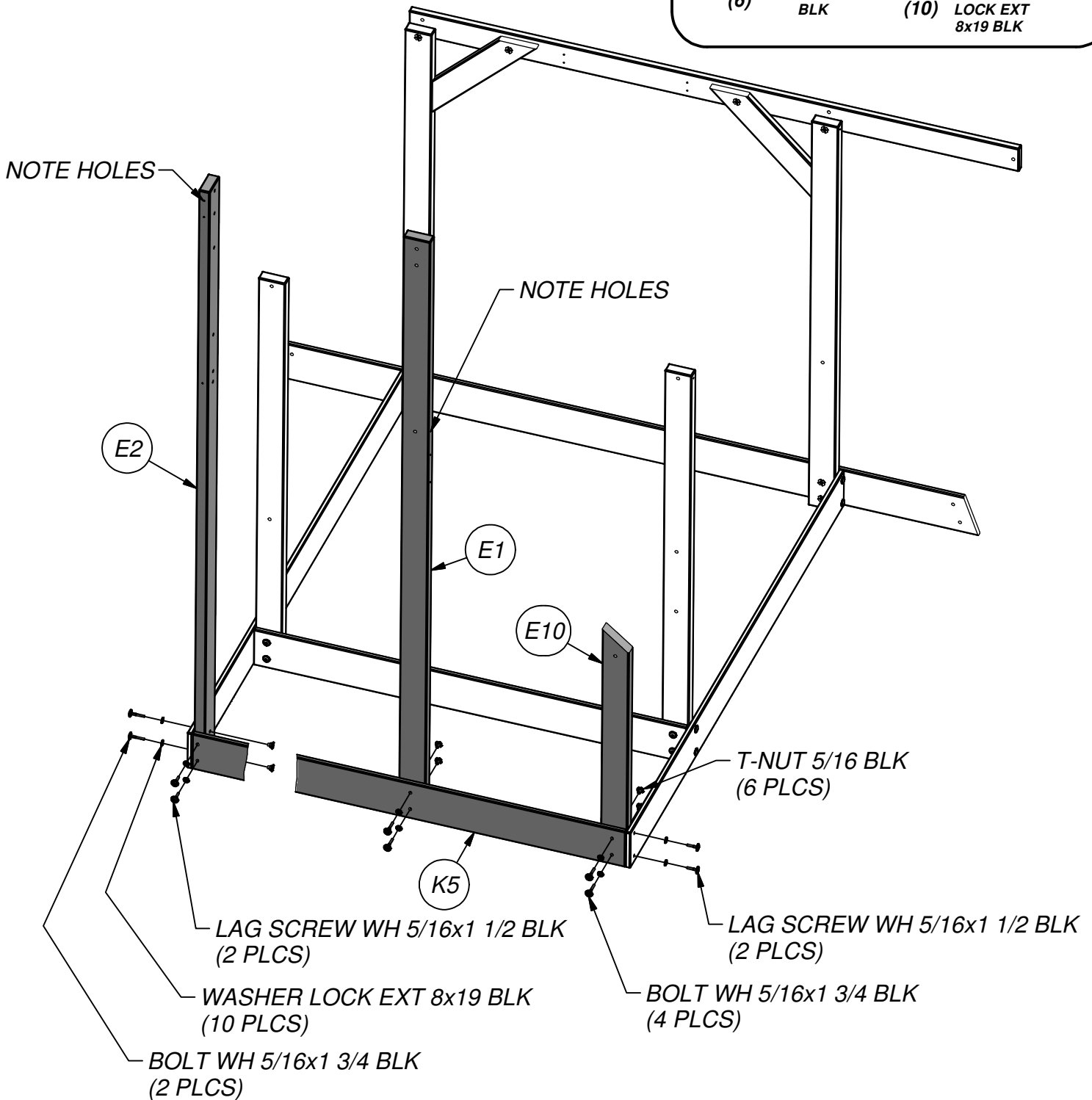
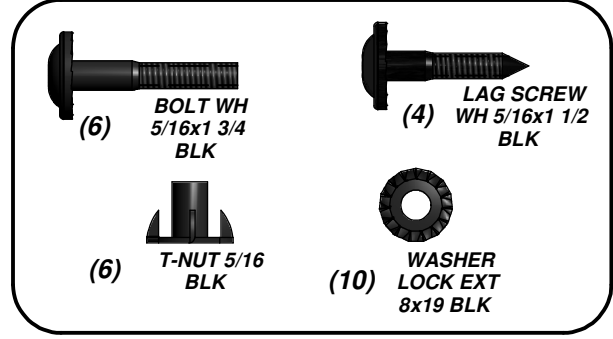
(1) E2 - UPRIGHT - W4L06057  
1 3/8"x3 3/8"x86 1/8" (36x86x2186)

(1) E10 - UPRIGHT - W4L06053  
1 3/8"x3 3/8"x34 1/4" (36x86x869)

(1) E1 - UPRIGHT - W4L06055  
1 3/8"x3 3/8"x86 1/8" (36x86x2186)

(1) K5 - GROUND BOARD - W4L06054  
5/8"x5 1/4"x54 1/2" (16x134x1384)

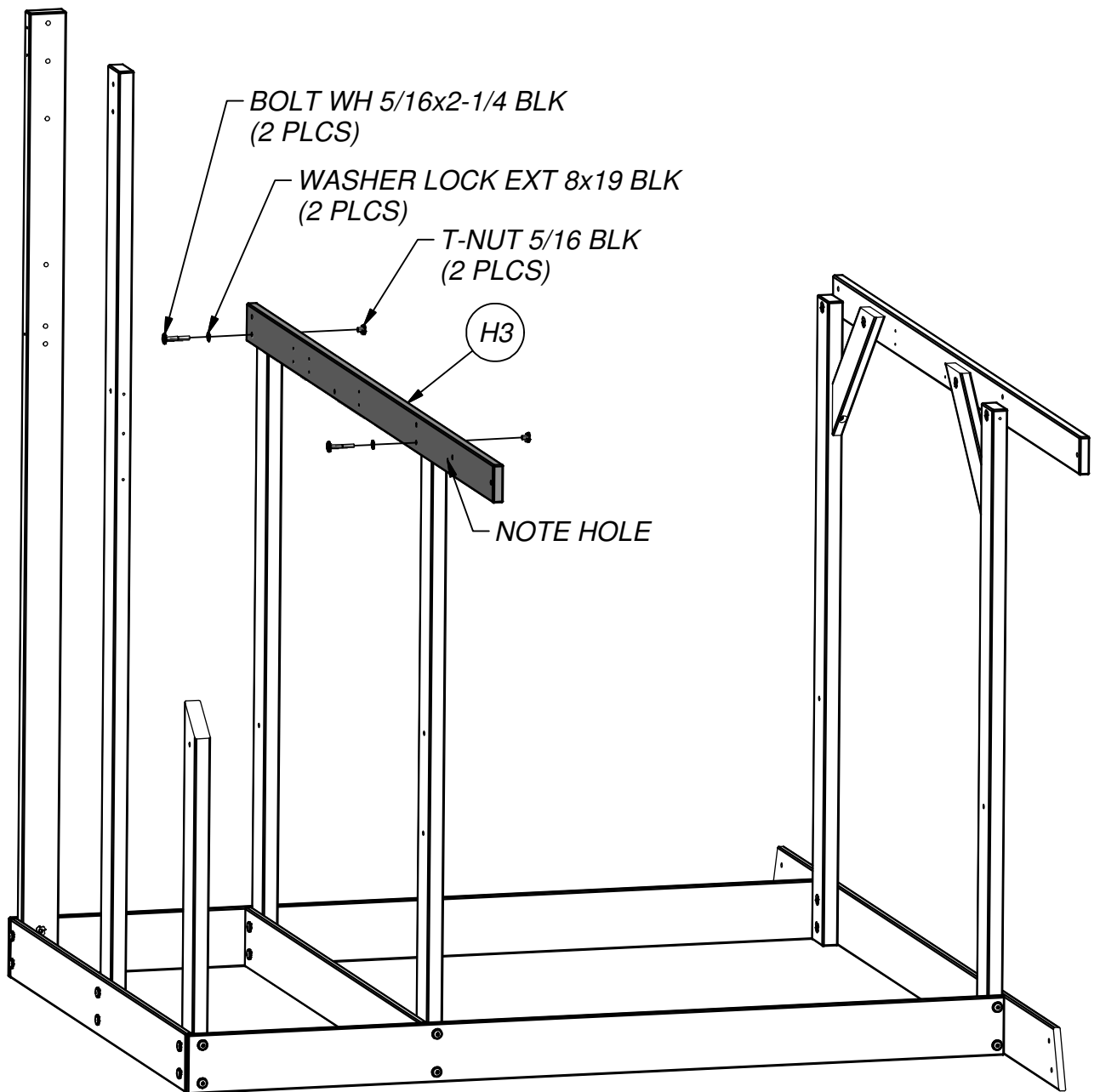
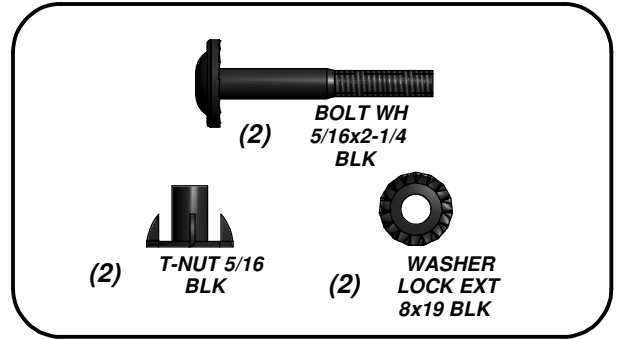
**STEP 5**

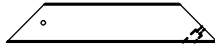




(1) **H3 - FLOOR SUPPORT - W4L06083**  
1"x3 3/8"x76 3/4" (24x86x1948)

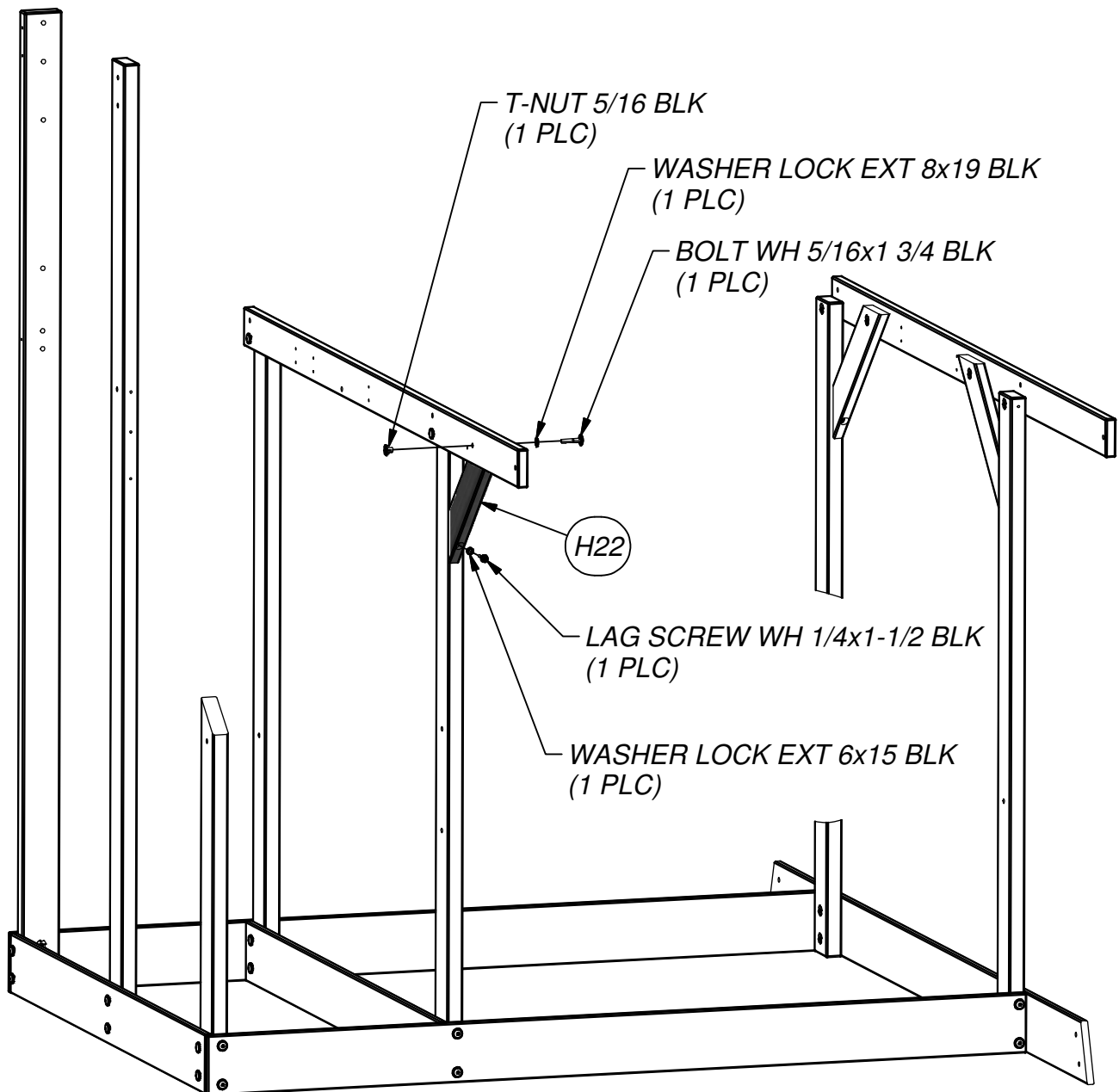
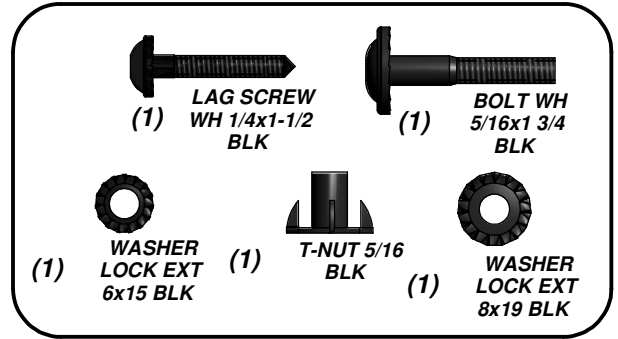
**STEP 6**

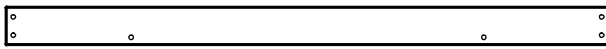




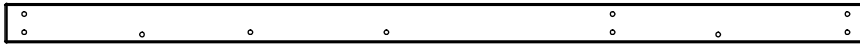
(1) **H22 - DECK BRACE - W4L06082**  
1"x3 3/8"x18 3/8" (24x86x466)

## STEP 7

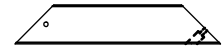




(1) H10 - FLOOR SUPPORT - W4L06062  
1"x3 3/8"x52 1/2" (24x86x1334)

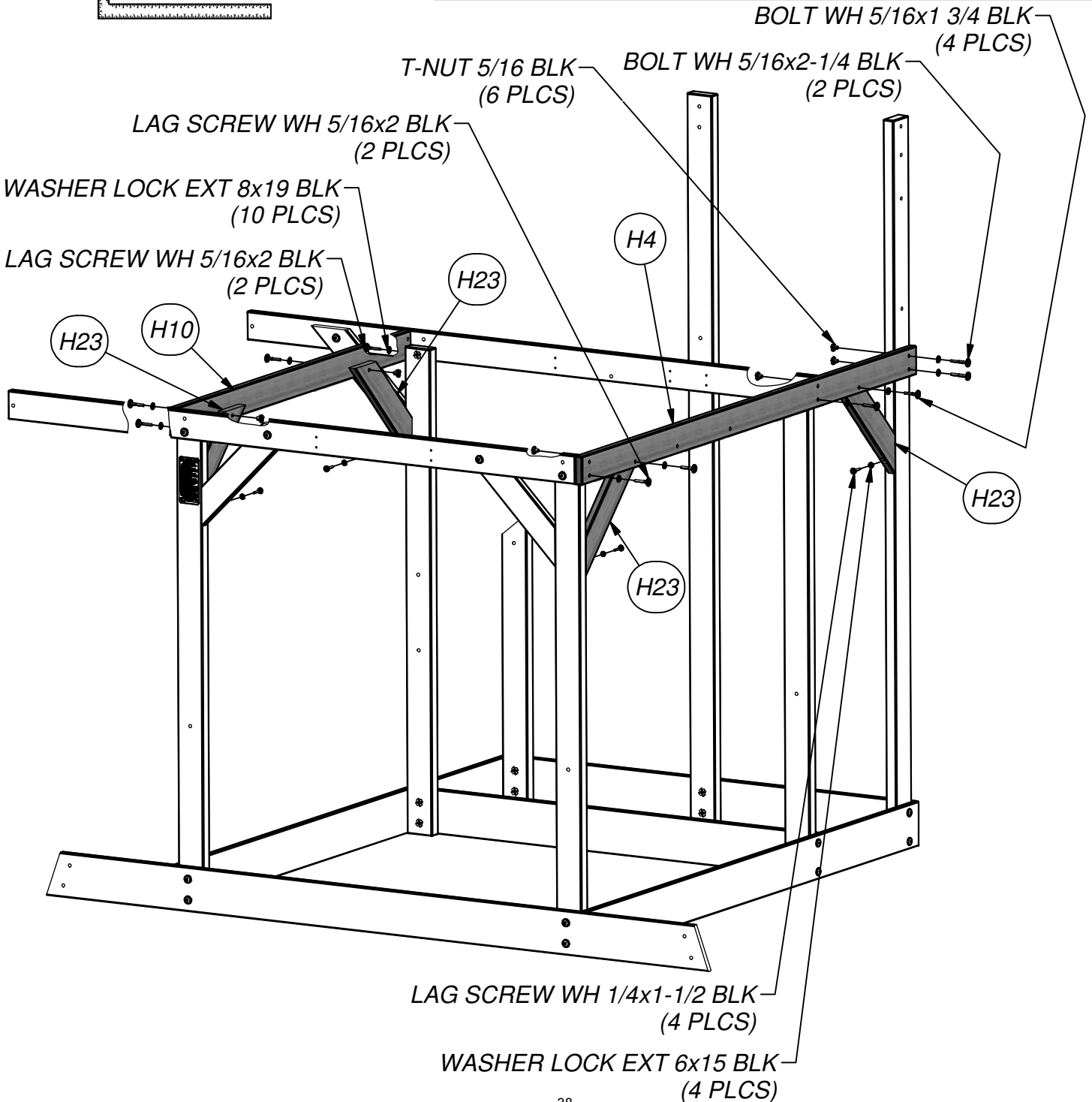
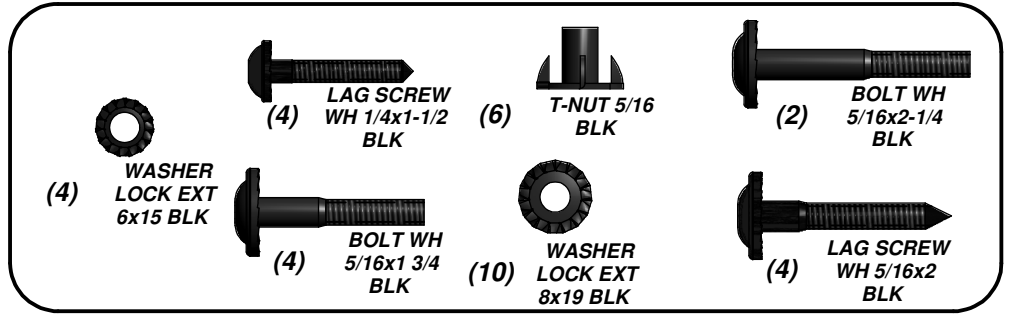


(1) H4 - FLOOR SUPPORT - W4L06063  
1"x3 3/8"x74 7/8" (24x86x1901)



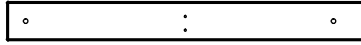
(4) H23 - DECK BRACE - W4L06179  
1"x3 3/8"x17 7/8" (24x86x453)

**STEP 8**



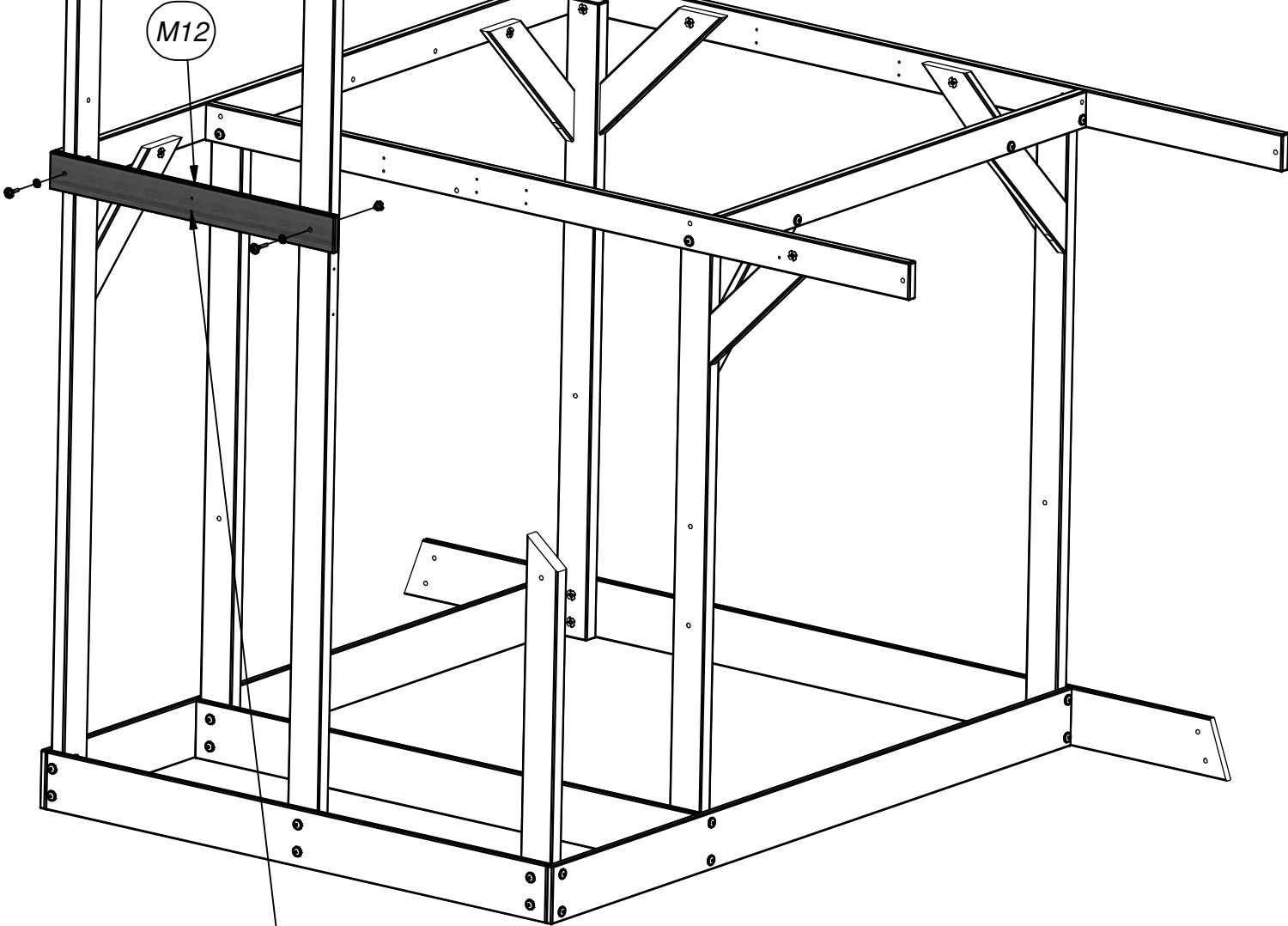
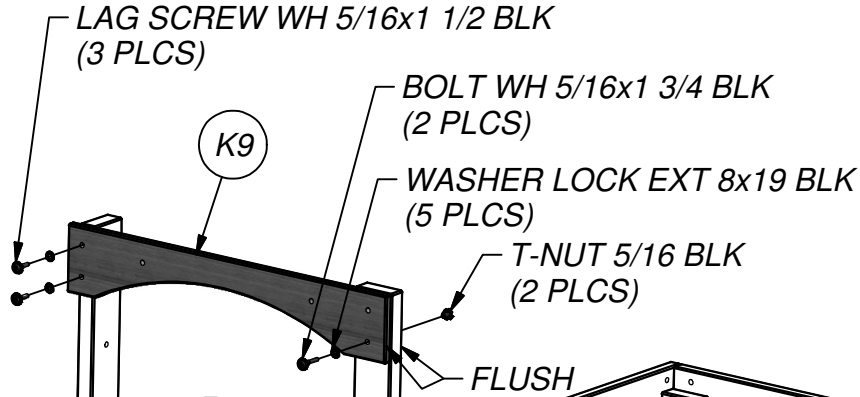
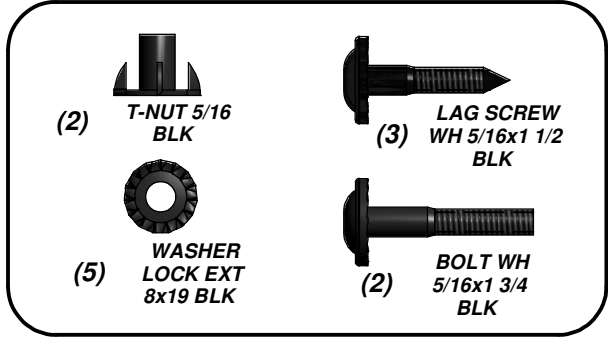


(1) **K9 - ARCHED RAIL - W4L06124**  
5/8"x5 1/4"x29 3/4" (16x134x756)



(1) **M12 - WALL RAIL - W4L06121**  
5/8"x3 3/8"x31" (16x86x788)

**STEP 9**



HOLES TOWARD BOTTOM



(2) J2 - FLOOR JOIST - W4L06068  
1"x2 3/8"x52 1/2" (24x60x1334)

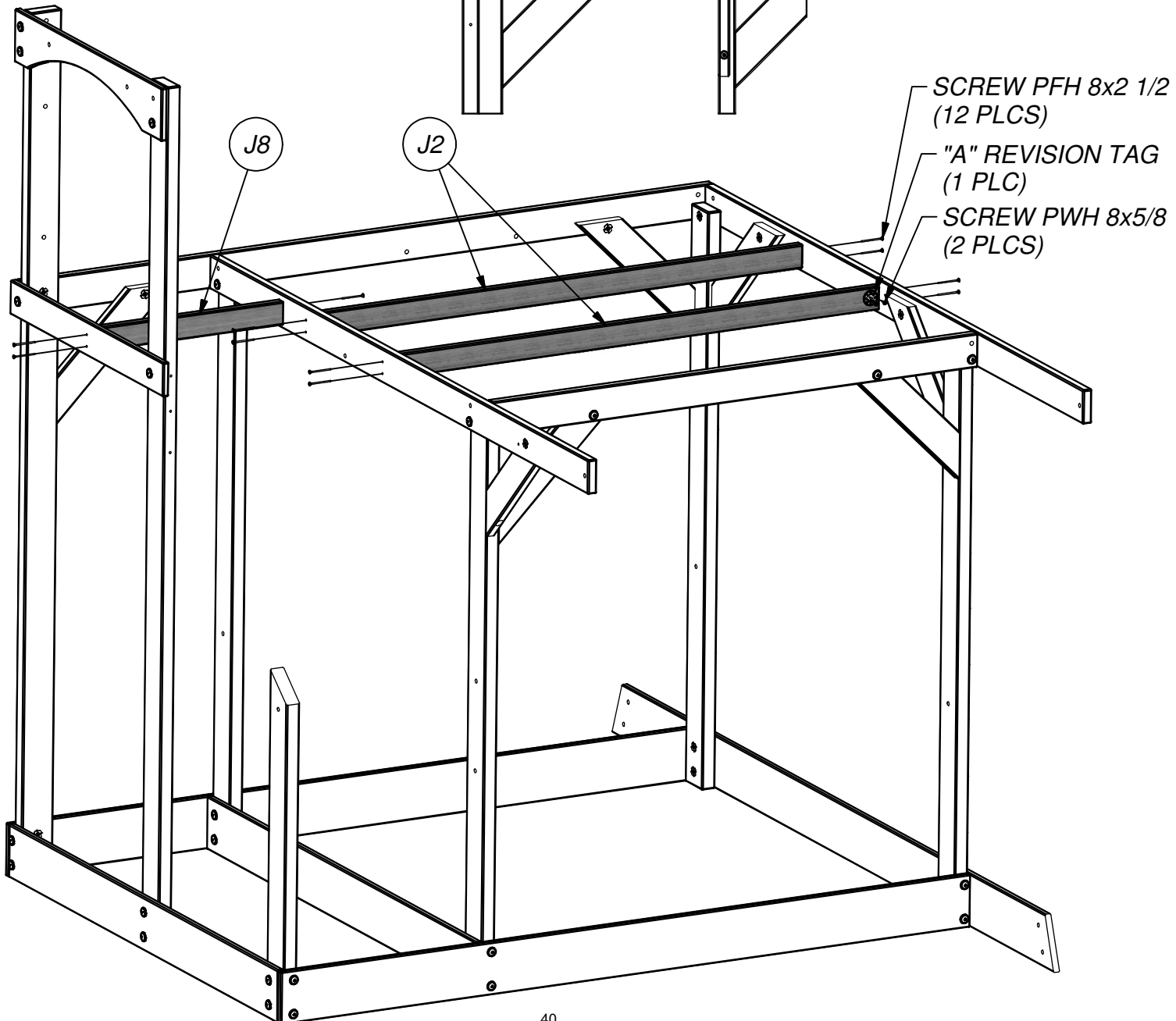
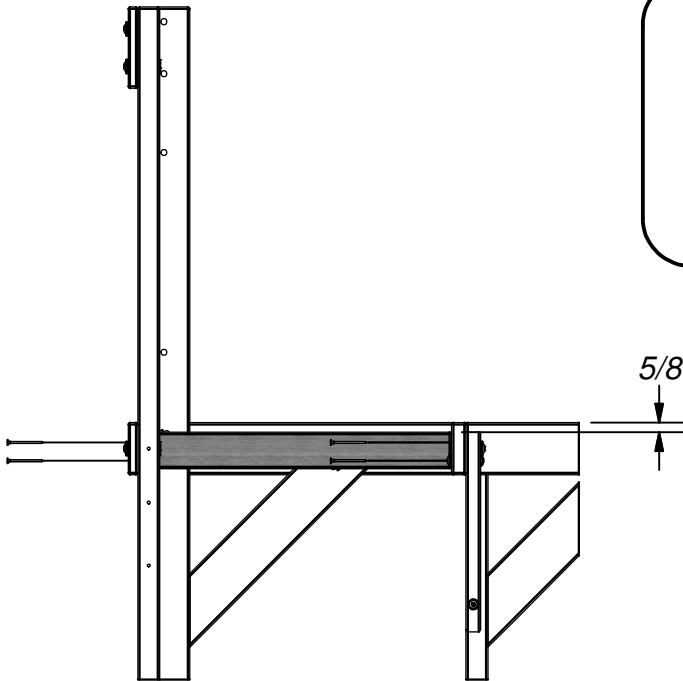
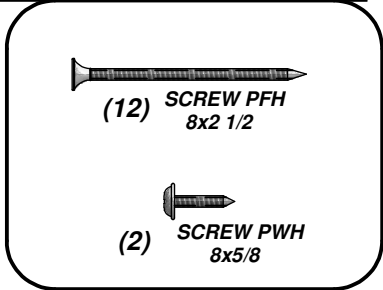


(1) SQ - "A" REVISION TAG - A100314



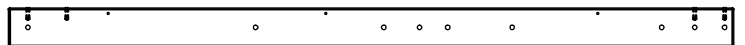
(1) J8 - FLOOR JOIST - W4L06134  
1"x2 3/8"x20 3/8" (24x60x519)

**STEP 10**

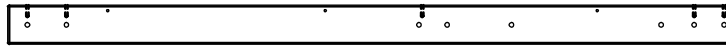




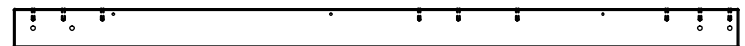
(1) **E4 - UPRIGHT - W4L06085**  
1 3/8"x3 3/8"x63" (36x86x1600)



(1) **E3 - UPRIGHT - W4L06069**  
1 3/8"x3 3/8"x63" (36x86x1600)

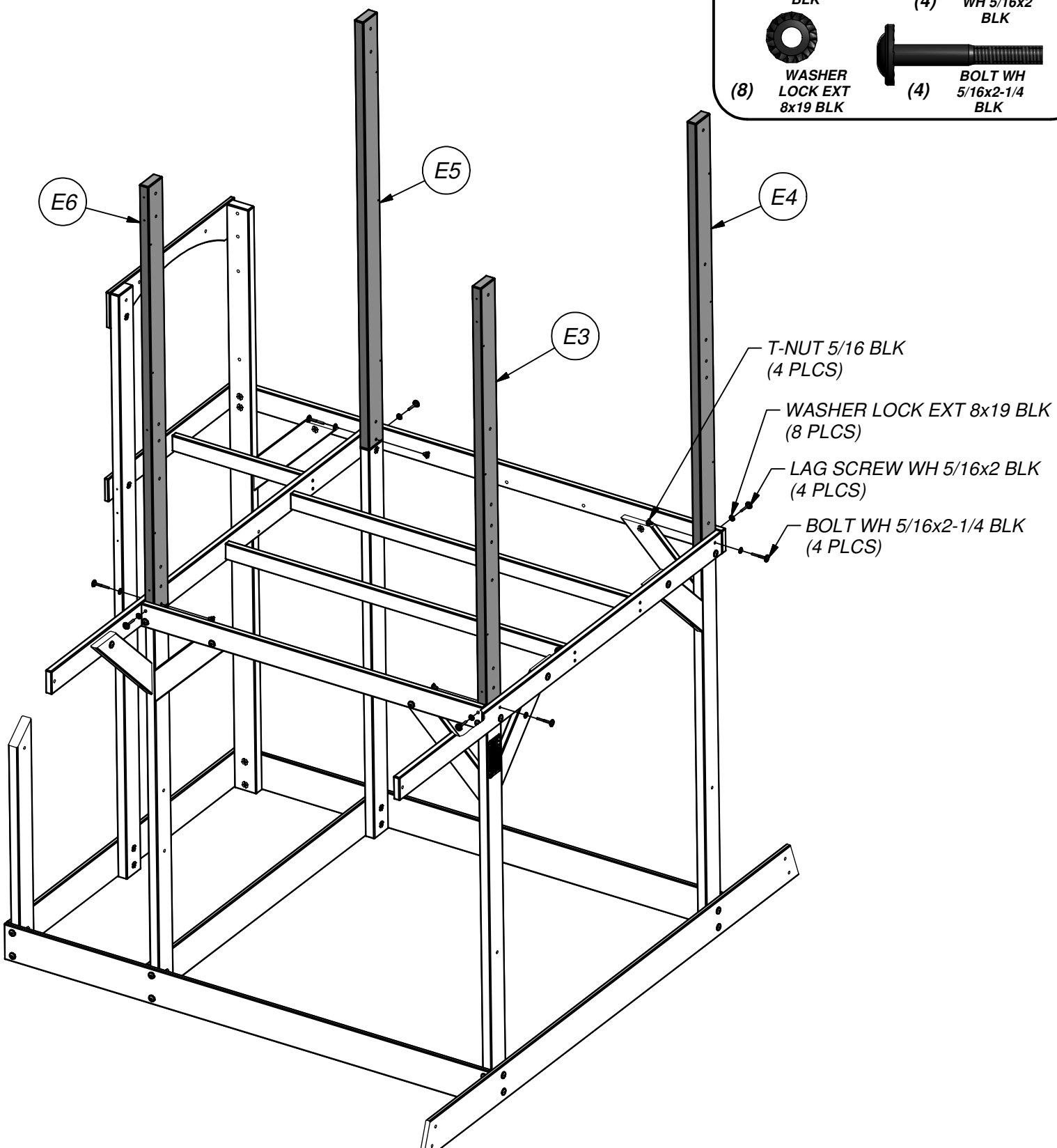
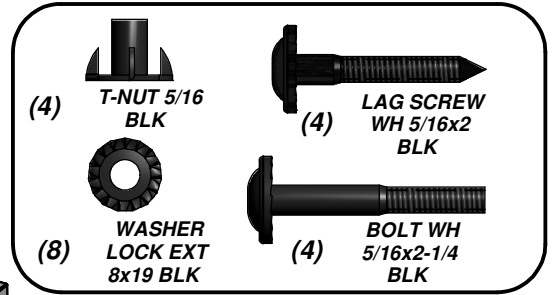


(1) **E6 - UPRIGHT - W4L06091**  
1 3/8"x3 3/8"x63" (36x86x1600)



(1) **E5 - UPRIGHT - W4L06090**  
1 3/8"x3 3/8"x63" (36x86x1600)

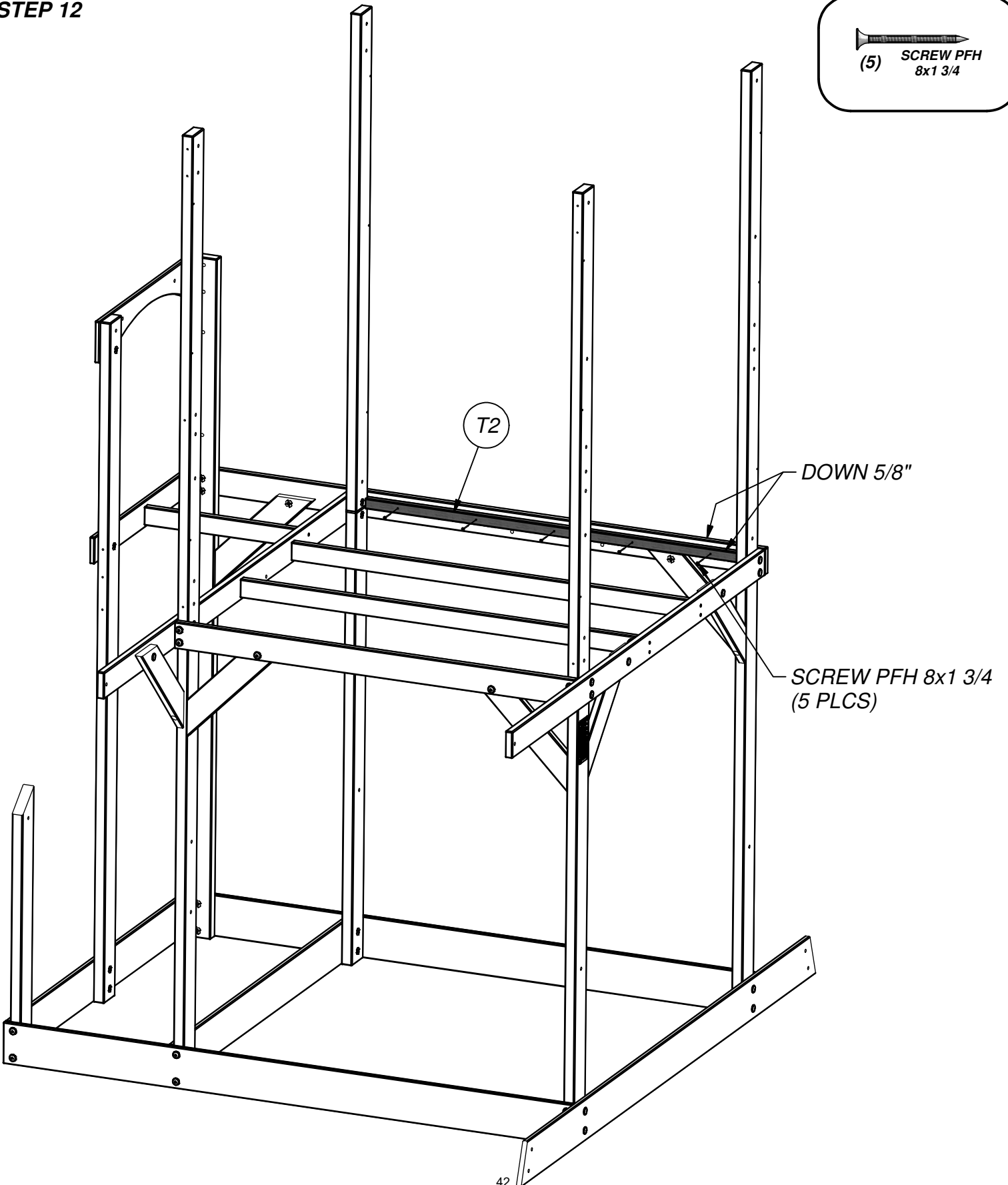
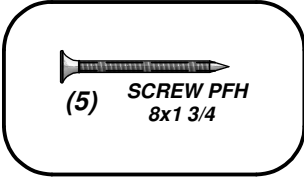
### STEP 11





(1) T2 - SUPPORT BOARD - W4L06065  
1"x1 3/8"x49 5/8" (24x34x1260)

**STEP 12**



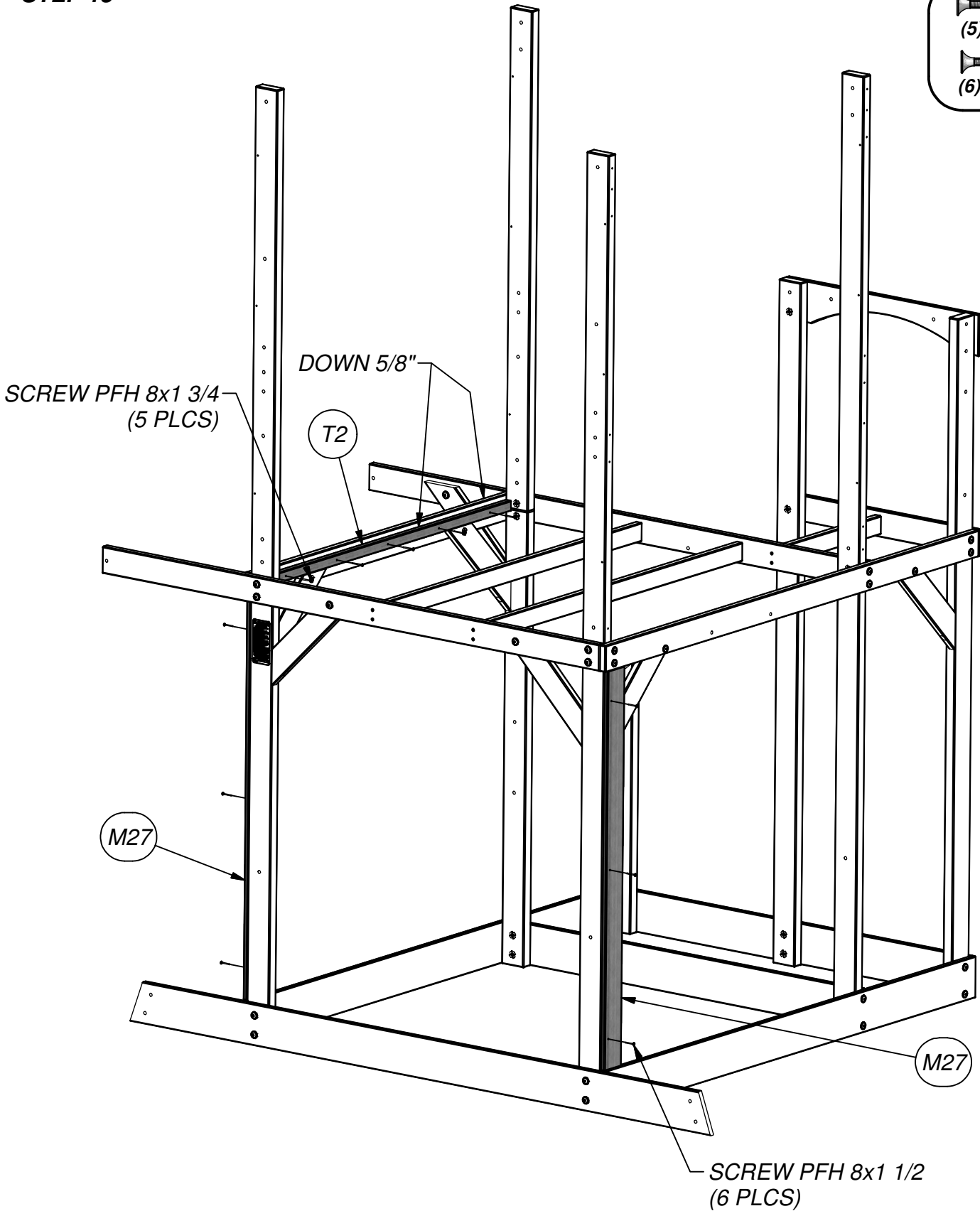
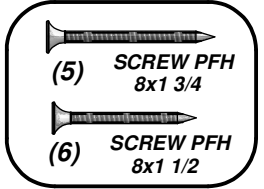


(1) **T2 - SUPPORT BOARD - W4L06065**  
 1"x1 3/8"x49 5/8" (24x34x1260)



(2) **M27 - CORNER BOARD - W4L06147**  
 5/8"x3 3/8"x50 3/8" (16x86x1280)

**STEP 13**



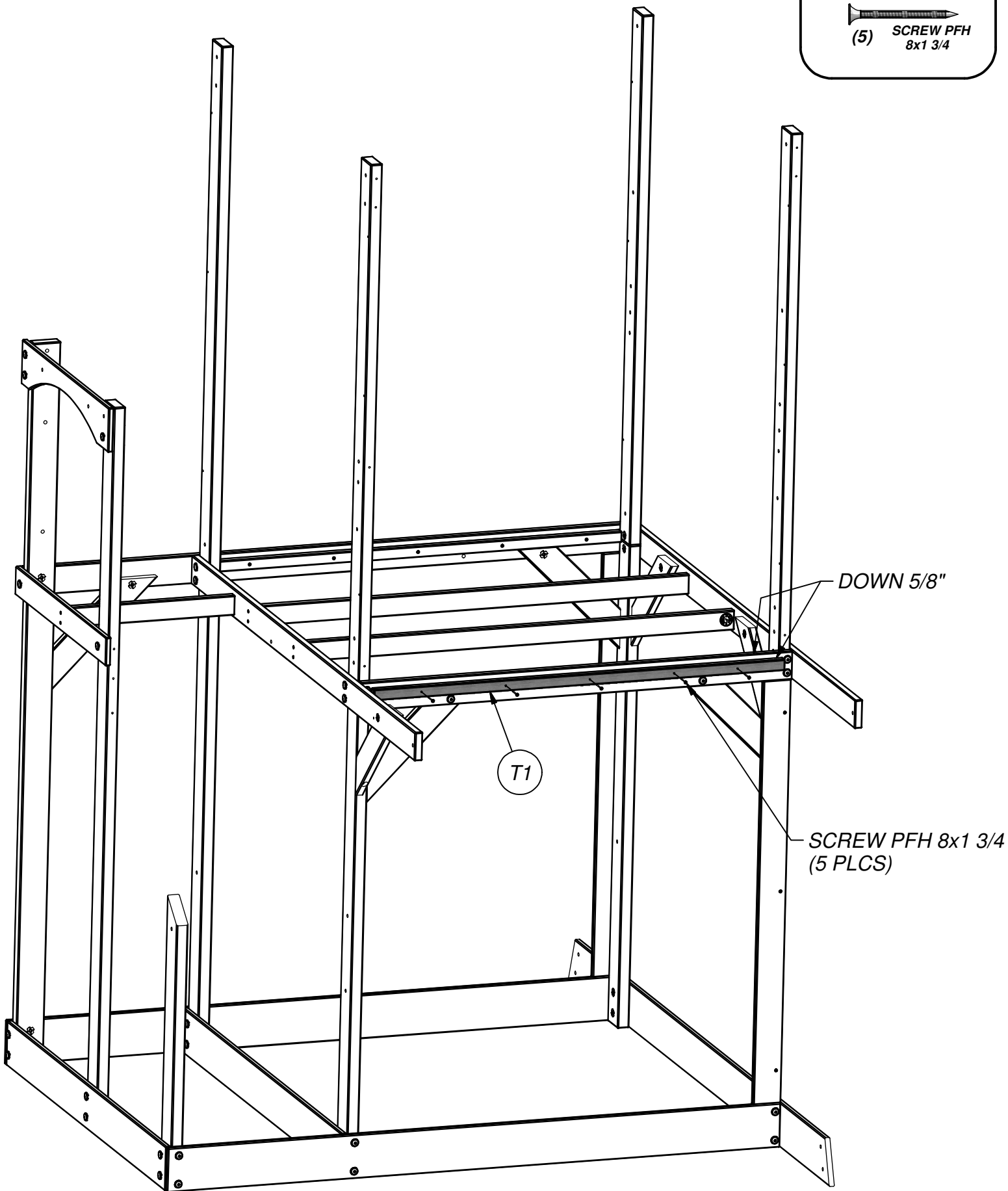


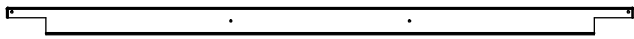
(1) T1 - SUPPORT BOARD - W4L06075  
1"x1 3/8"x50" (24x34x1270)

**STEP 14**

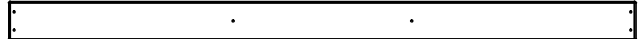


(5) SCREW PFH  
8x1 3/4



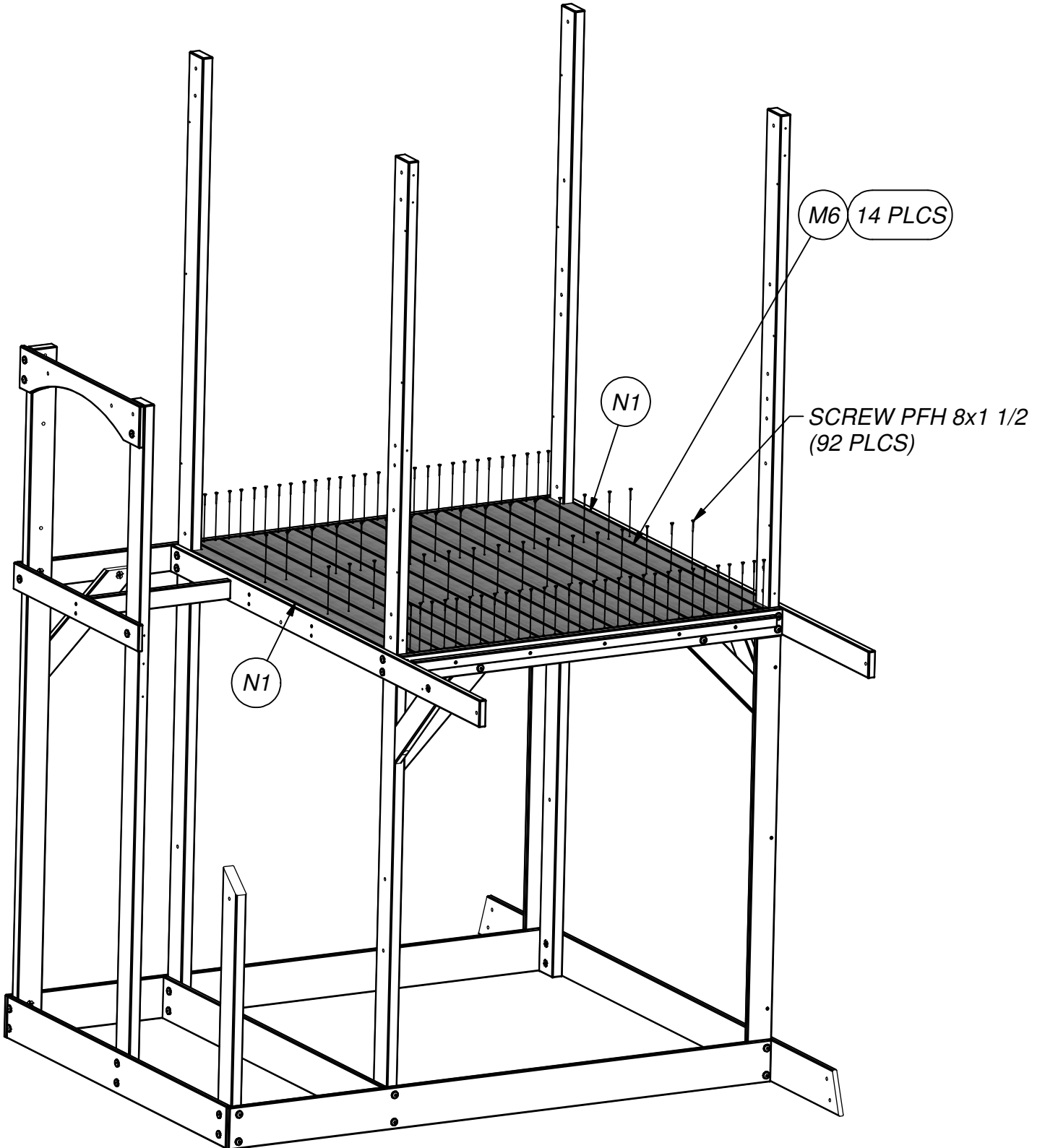
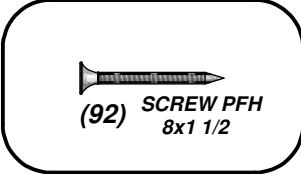


(2) **N1 - FLOOR BOARD - W4L06067**  
 5/8"x2 3/8"x54 1/2" (16x60x1384)



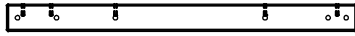
(14) **M6 - FLOOR BOARD - W4L06066**  
 5/8"x3 3/8"x54 1/2" (16x86x1384)

**STEP 15**





(1) **F4 - POST - W4L06093**  
 1 3/8"x2 3/8"x30 3/8" (36x60x772)

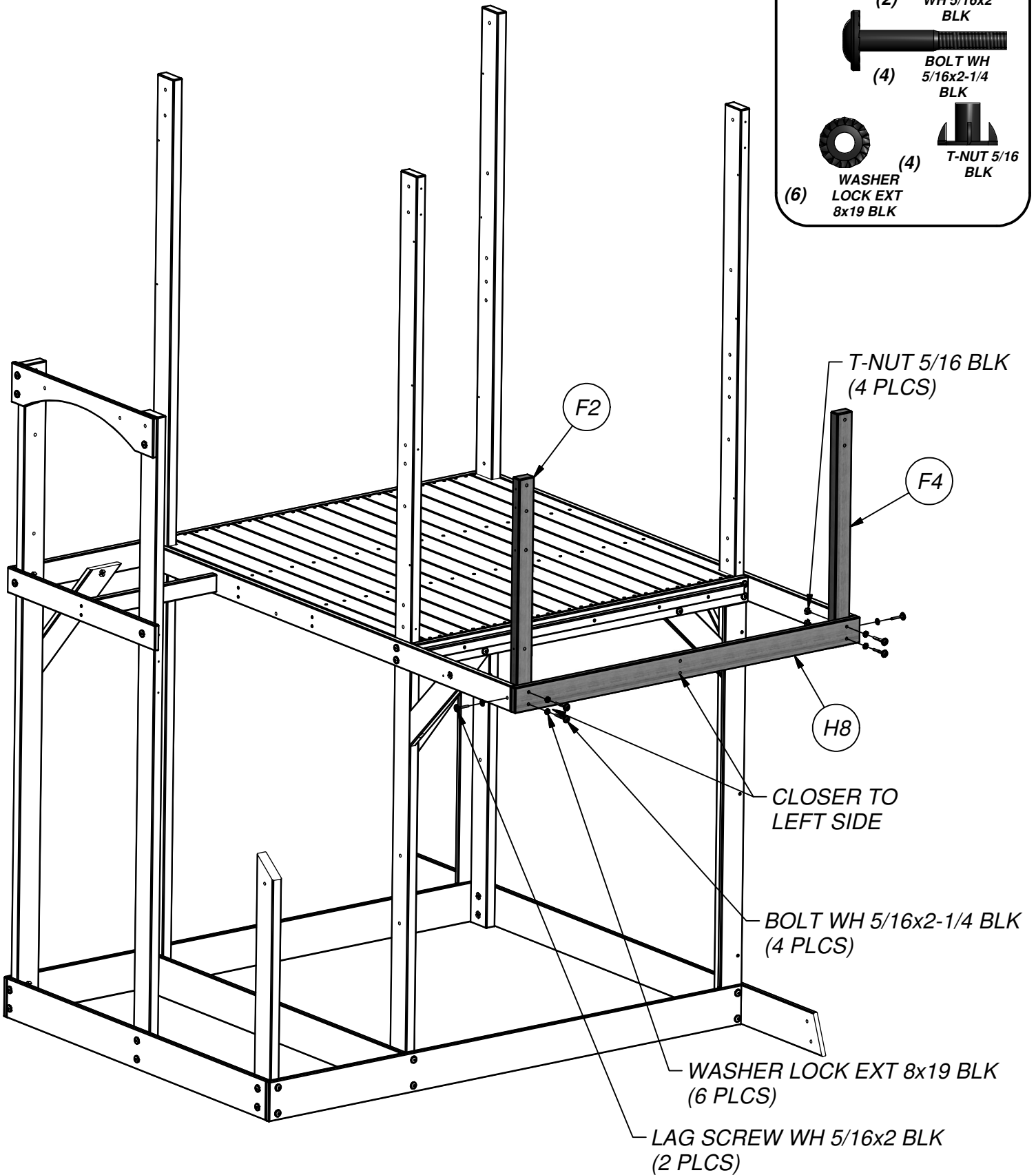
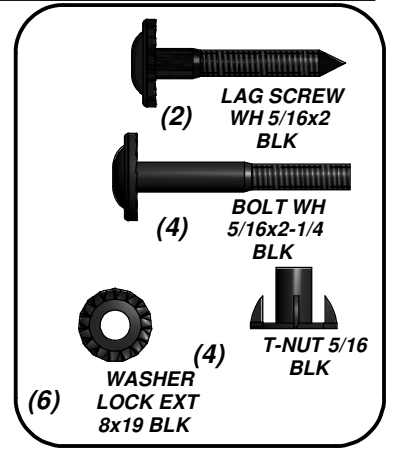


(1) **F2 - POST - W4L06070**  
 1 3/8"x2 3/8"x30 3/8" (36x60x772)



(1) **H8 - FLOOR SUPPORT - W4L06079**  
 1"x3 3/8"x54 3/8" (24x86x1382)

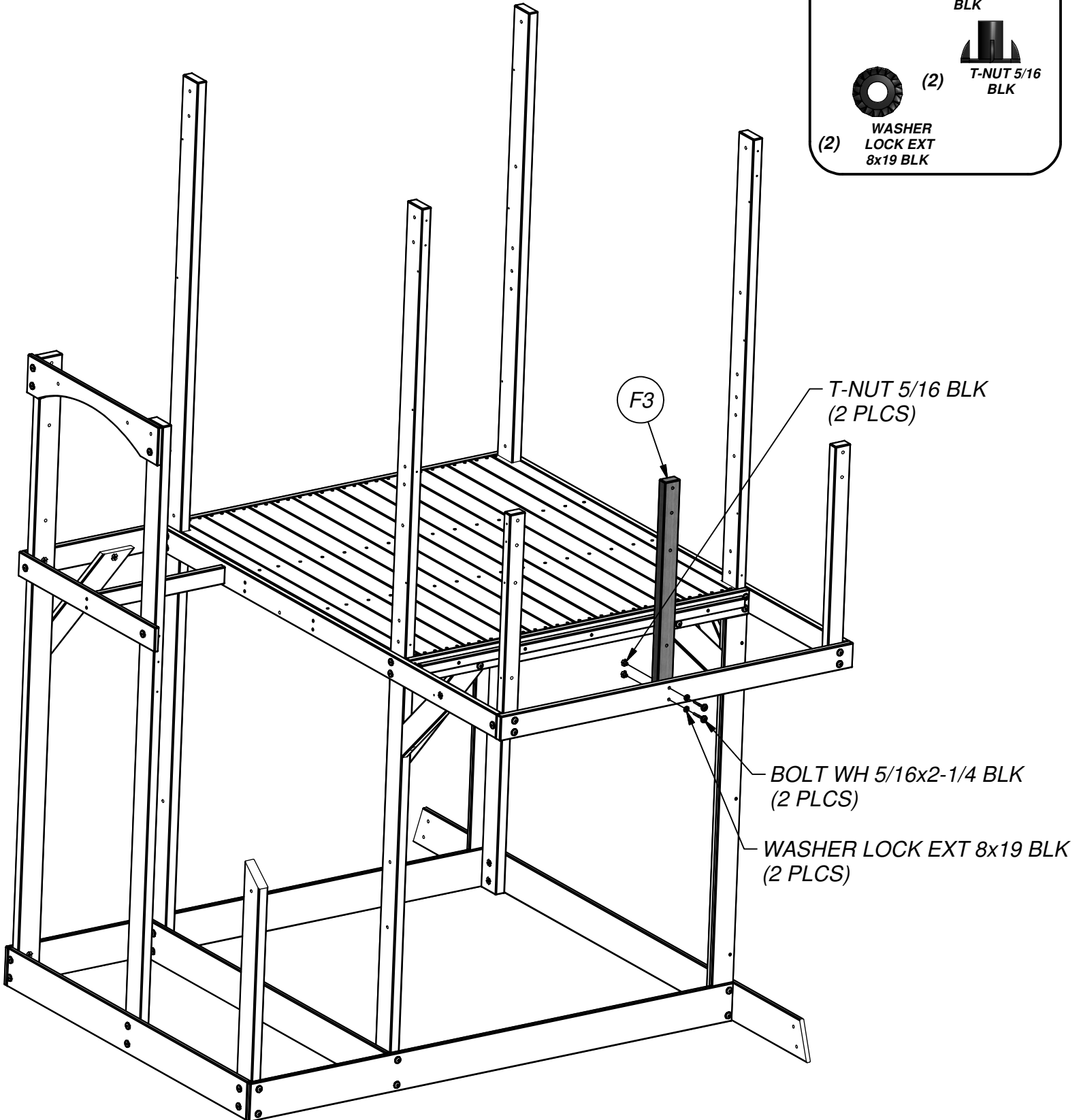
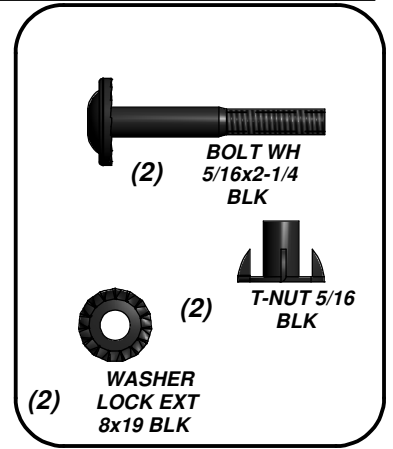
**STEP 16**





(1) **F3 - POST - W4L06074**  
1 3/8"x2 3/8"x30 3/8" (36x60x772)

**STEP 17**

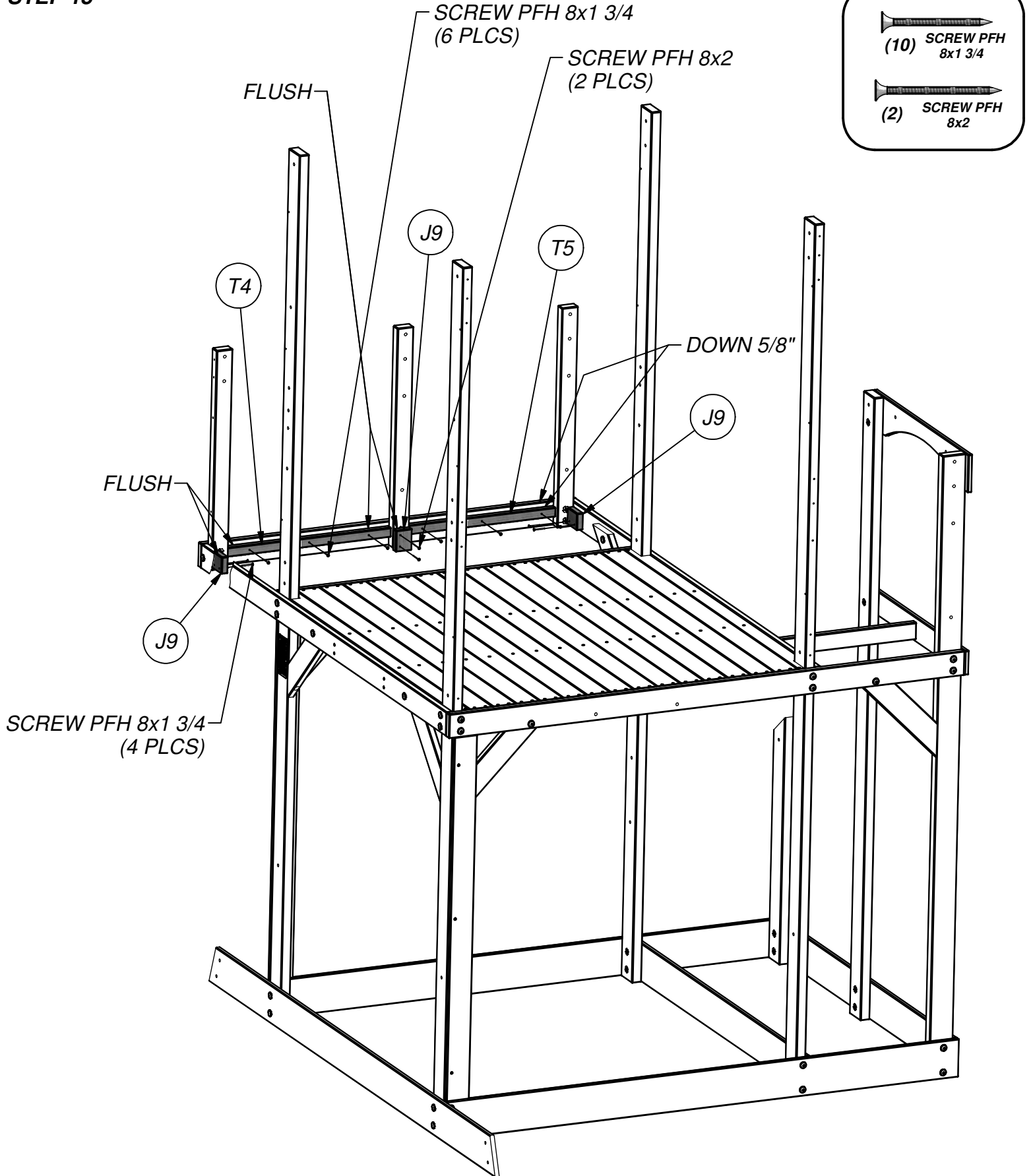


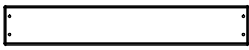
(1) **T4 - SUPPORT BOARD - W4L06077**  
1"x1 3/8"x23 7/8" (24x34x606)

(1) **T5 - SUPPORT BOARD - W4L06076**  
1"x1 3/8"x21 1/2" (24x34x546)

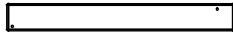
(3) **J9 - SUPPORT BOARD - W4L06064**  
1"x2 3/8"x3" (24x60x76)

### STEP 18





(7) **M21 - FLOOR BOARD - W4L06080**  
5/8"x3 3/8"x21 1/4" (16x86x540)



(1) **N3 - FLOOR BOARD - W4L06078**  
5/8"x2 3/8"x19 3/4" (16x60x502)

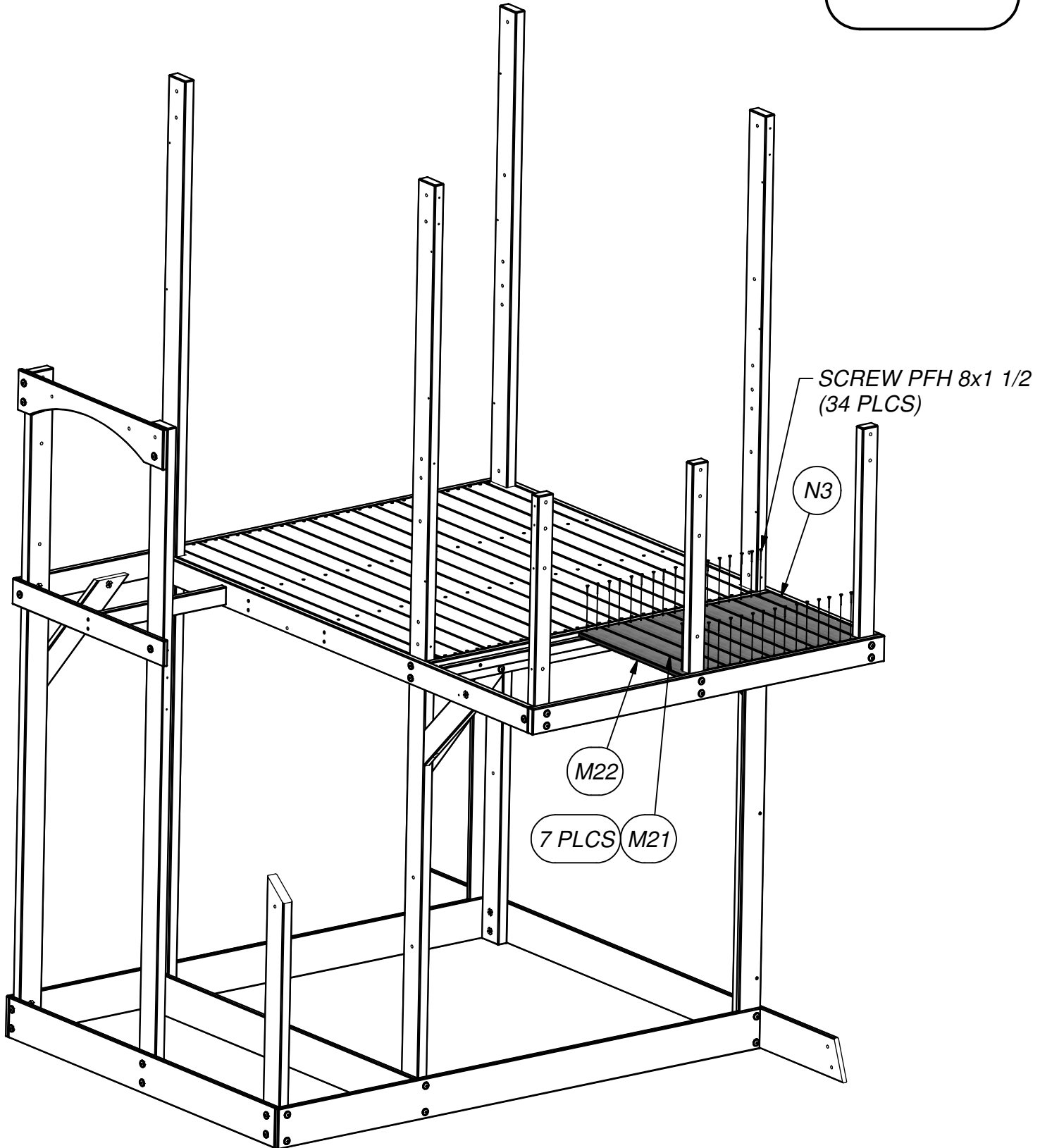


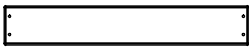
(1) **M22 - FLOOR BOARD - W4L06081**  
5/8"x3 3/8"x21 1/4" (16x86x540)

**STEP 19**

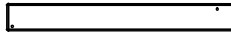


(34) **SCREW PFH**  
8x1 1/2





(6) **M21 - FLOOR BOARD - W4L06080**  
 5/8"x3 3/8"x21 1/4" (16x86x540)

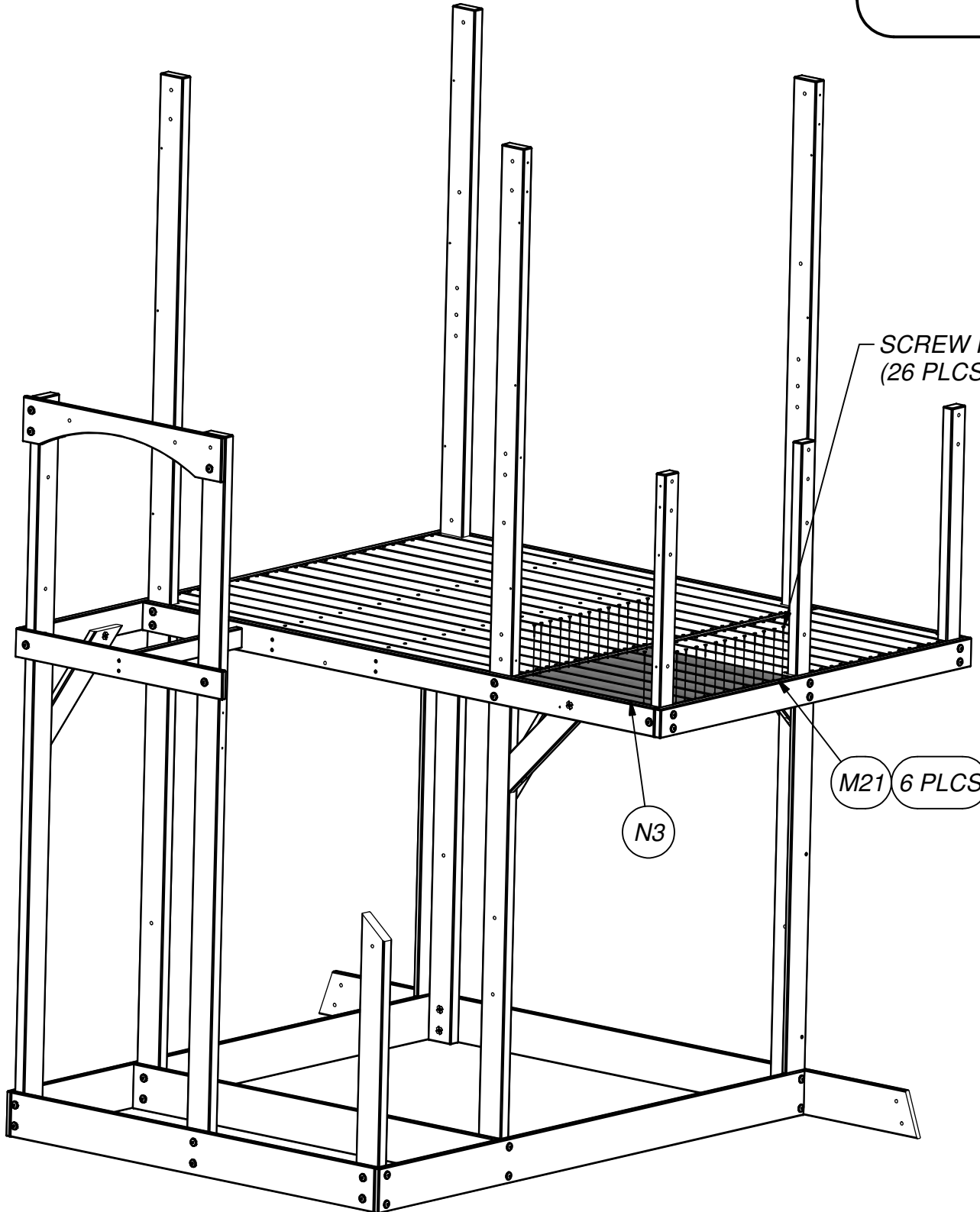


(1) **N3 - FLOOR BOARD - W4L06078**  
 5/8"x2 3/8"x19 3/4" (16x60x502)

**STEP 20**



(26) **SCREW PFH**  
 8x1 1/2



SCREW PFH 8x1 1/2  
 (26 PLCS)

M21 6 PLCS

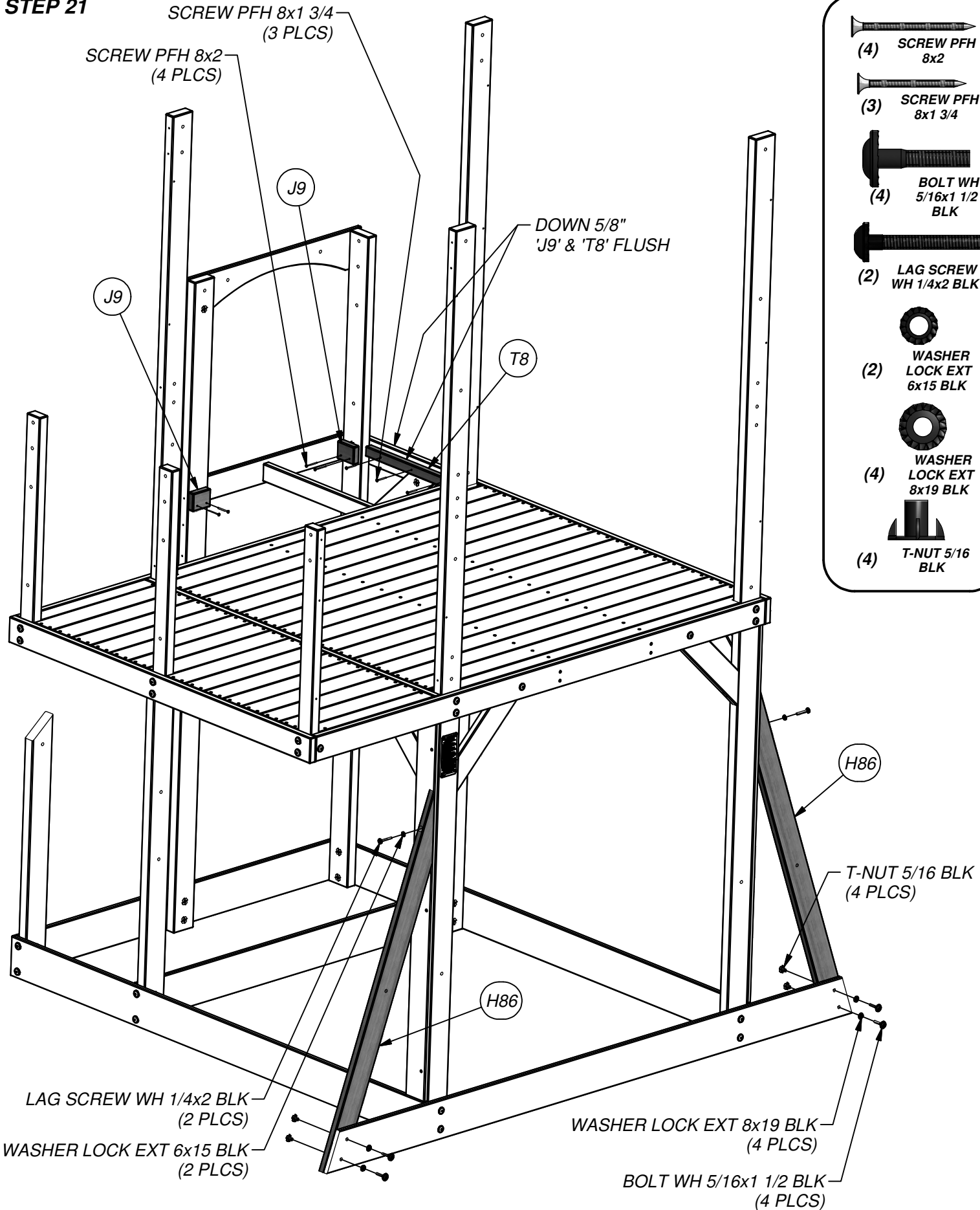
N3

(2) H86 - ANGLE BRACE - W4L06186  
1"x3 3/8"x49 3/8" (24x86x1254)

(2) J9 - SUPPORT BOARD - W4L06064  
1"x2 3/8"x3" (24x60x76)

(1) T8 - SUPPORT BOARD - W4L06119  
1"x1 3/8"x16 5/8" (24x34x423)

**STEP 21**





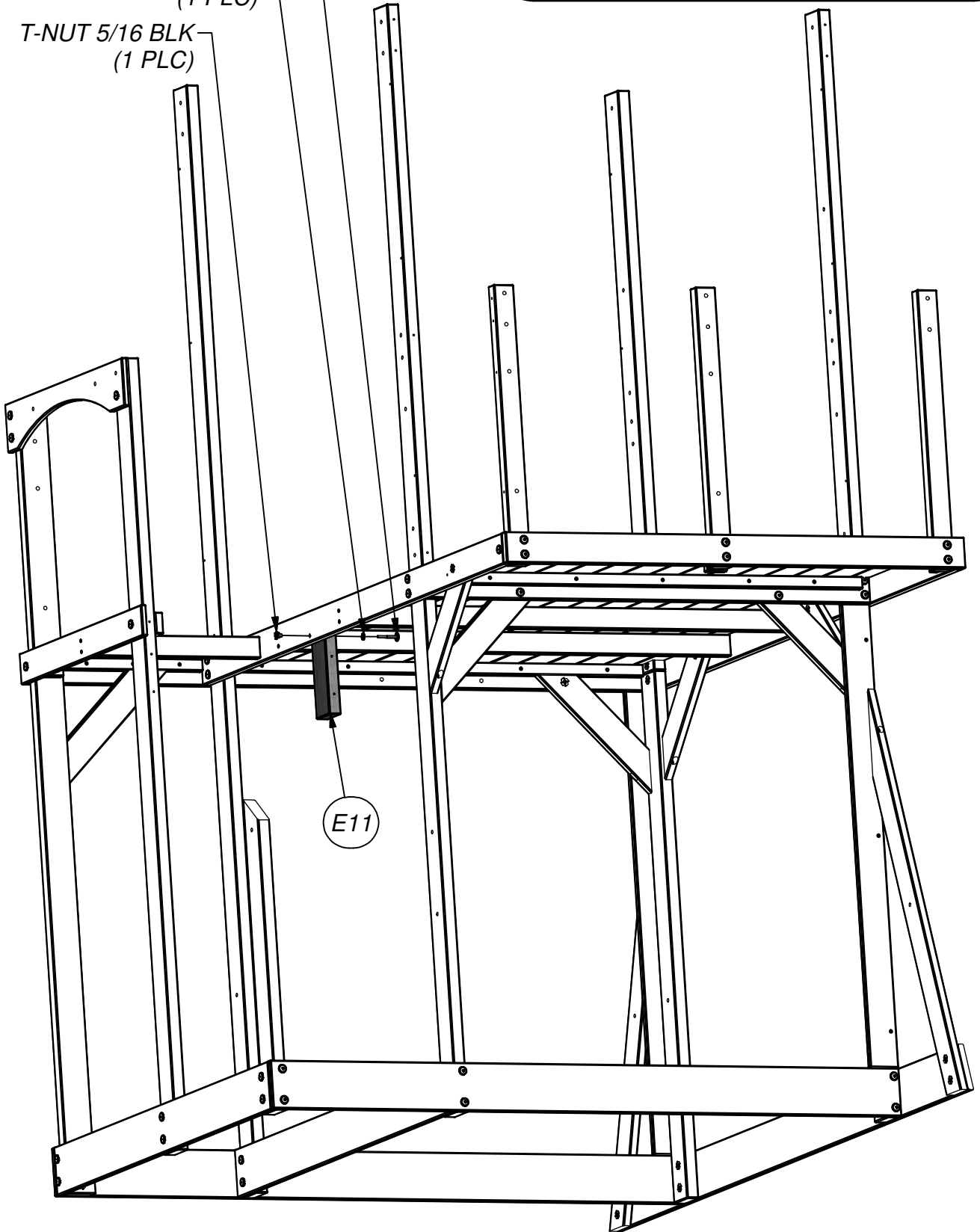
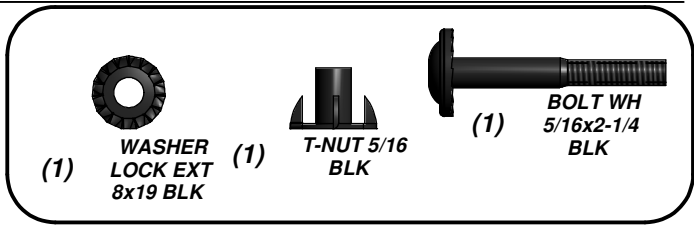
(1) E11 - UPRIGHT - W4L06127  
1 3/8"x3 3/8"x10 7/8" (36x86x275)

**STEP 22**

BOLT WH 5/16x2-1/4 BLK  
(1 PLC)

WASHER LOCK EXT 8x19 BLK  
(1 PLC)

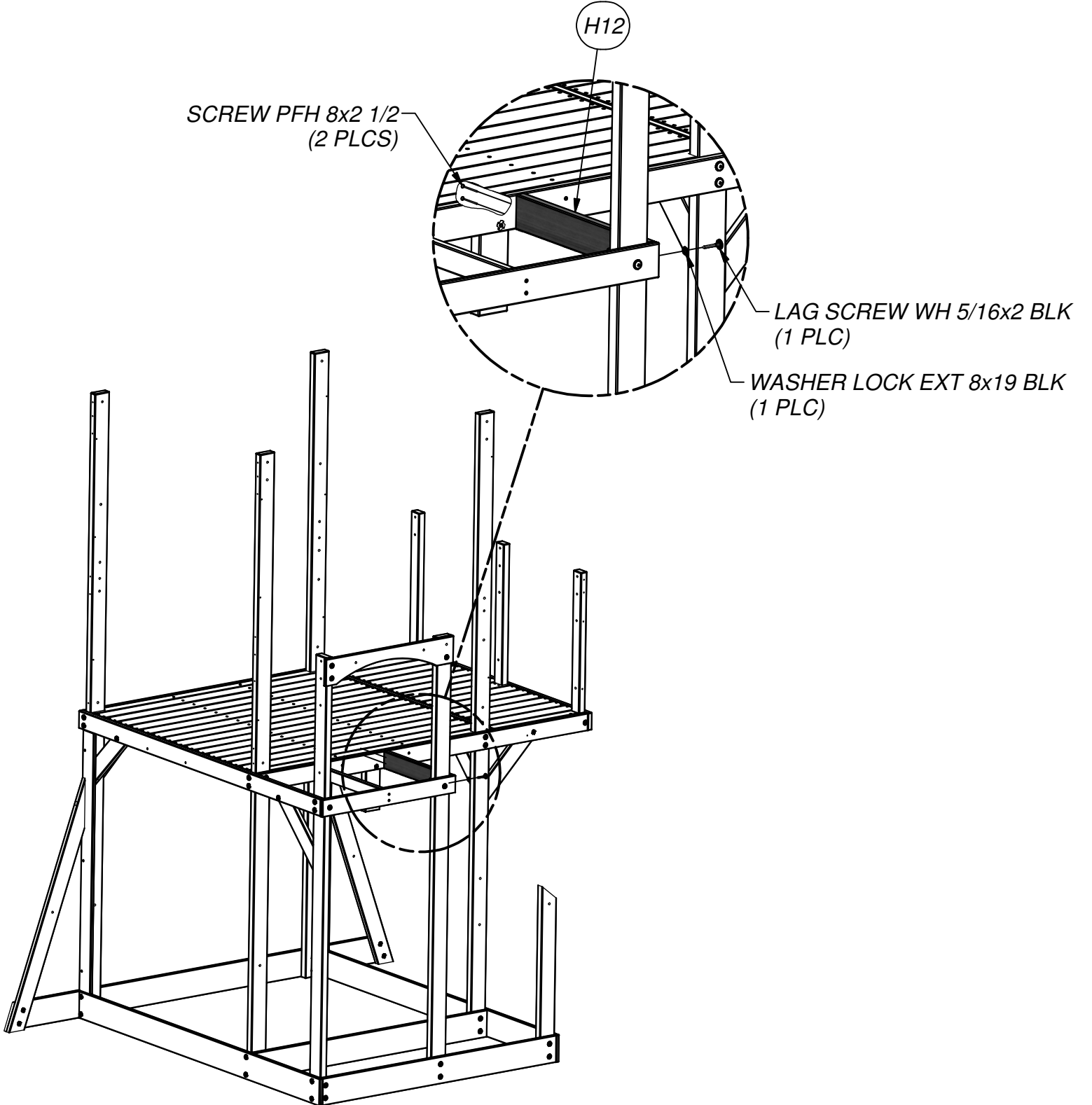
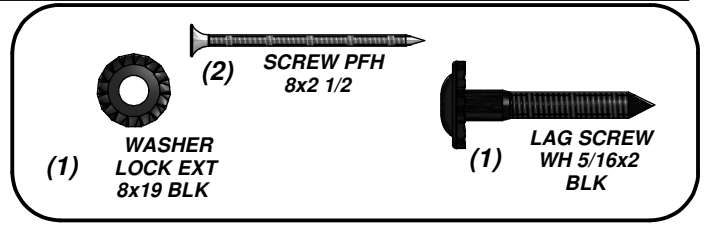
T-NUT 5/16 BLK  
(1 PLC)





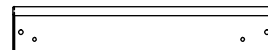
(1) H12 - FLOOR SUPPORT - W4L06125  
1"x3 3/8"x20 3/8" (24x86x519)

**STEP 23**



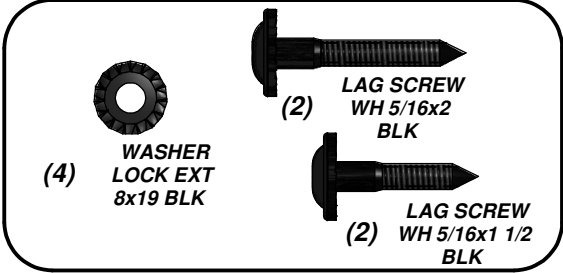


(1) **L1 - SUPPORT BOARD - W4L06128**  
 5/8"x3 5/8"x22 3/4" (16x92x579)

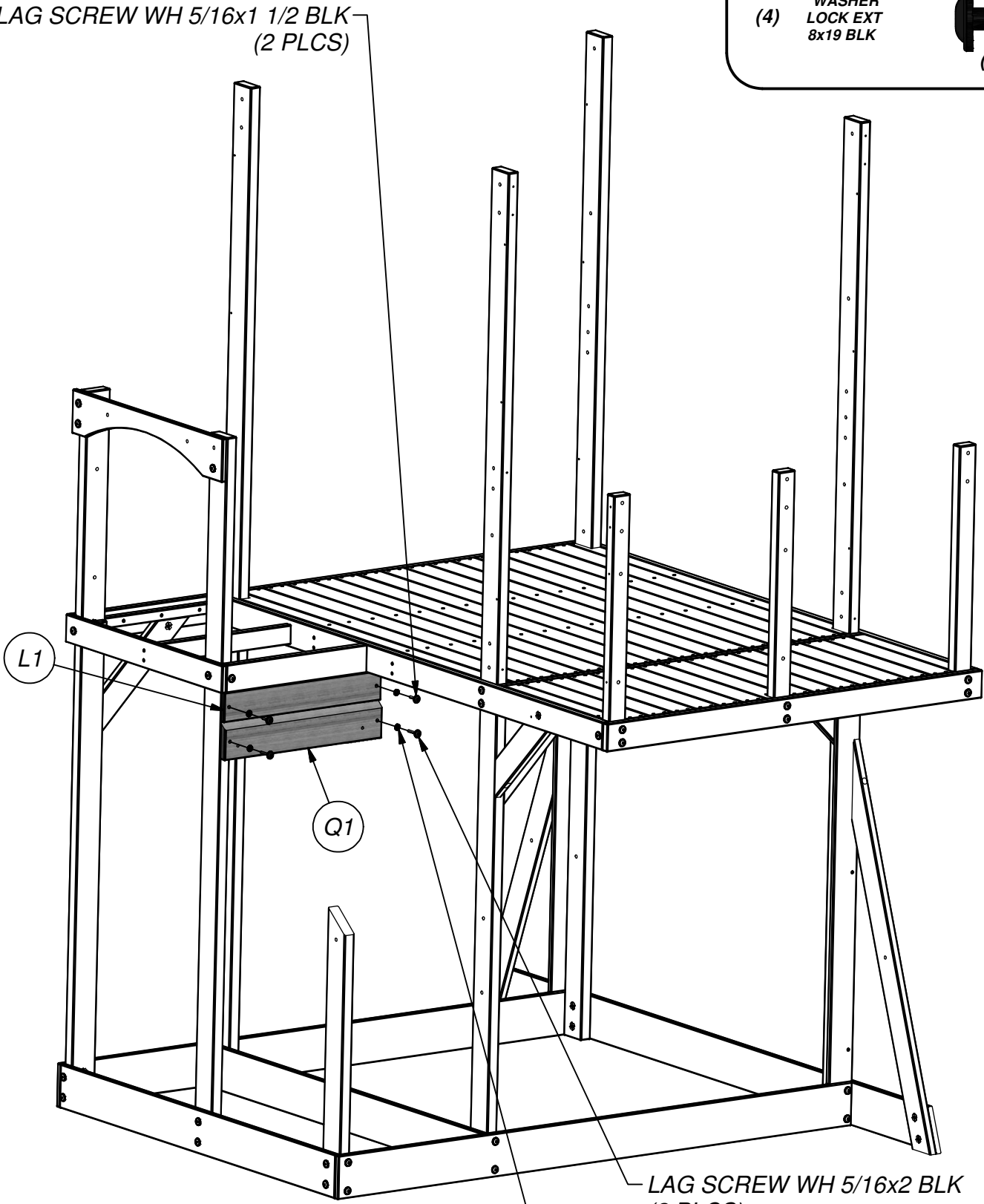


(1) **Q1 - SUPPORT BOARD - W4L06129**  
 1"x4 3/8"x22 3/4" (24x112x579)

**STEP 24**



**LAG SCREW WH 5/16x1 1/2 BLK (2 PLCS)**

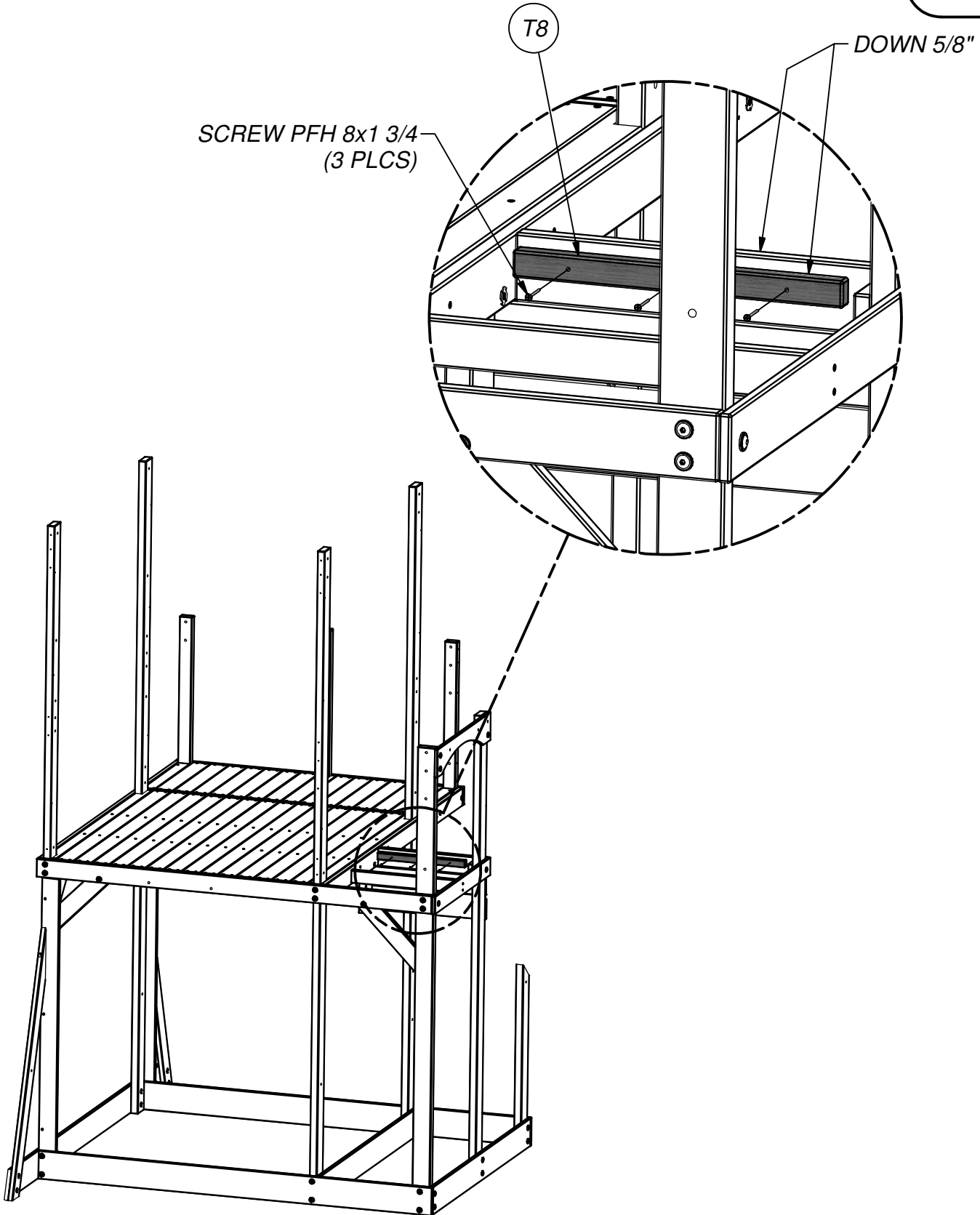
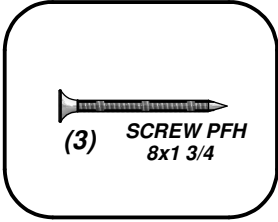


**LAG SCREW WH 5/16x2 BLK (2 PLCS)**

**WASHER LOCK EXT 8x19 BLK (4 PLCS)**

(1) **T8 - SUPPORT BOARD - W4L06119**  
1"x1 3/8"x16 5/8" (24x34x423)

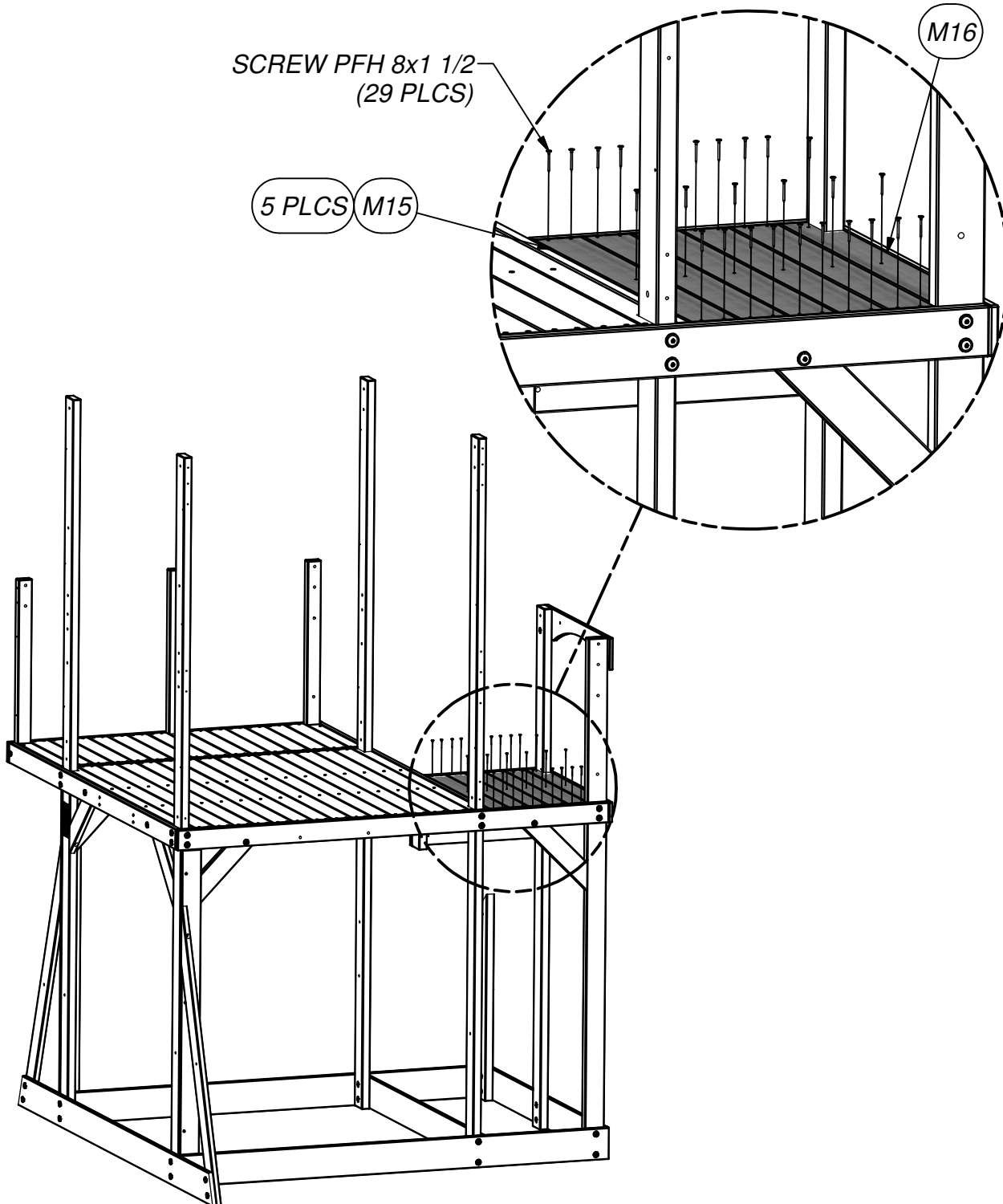
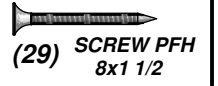
**STEP 25**

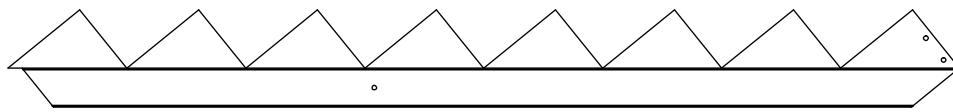


(5) M15 - FLOOR BOARD - W4L06120  
5/8"x3 3/8"x29 1/8" (16x86x740)

(1) M16 - FLOOR BOARD - W4L06130  
5/8"x3 3/8"x27 3/4" (16x86x704)

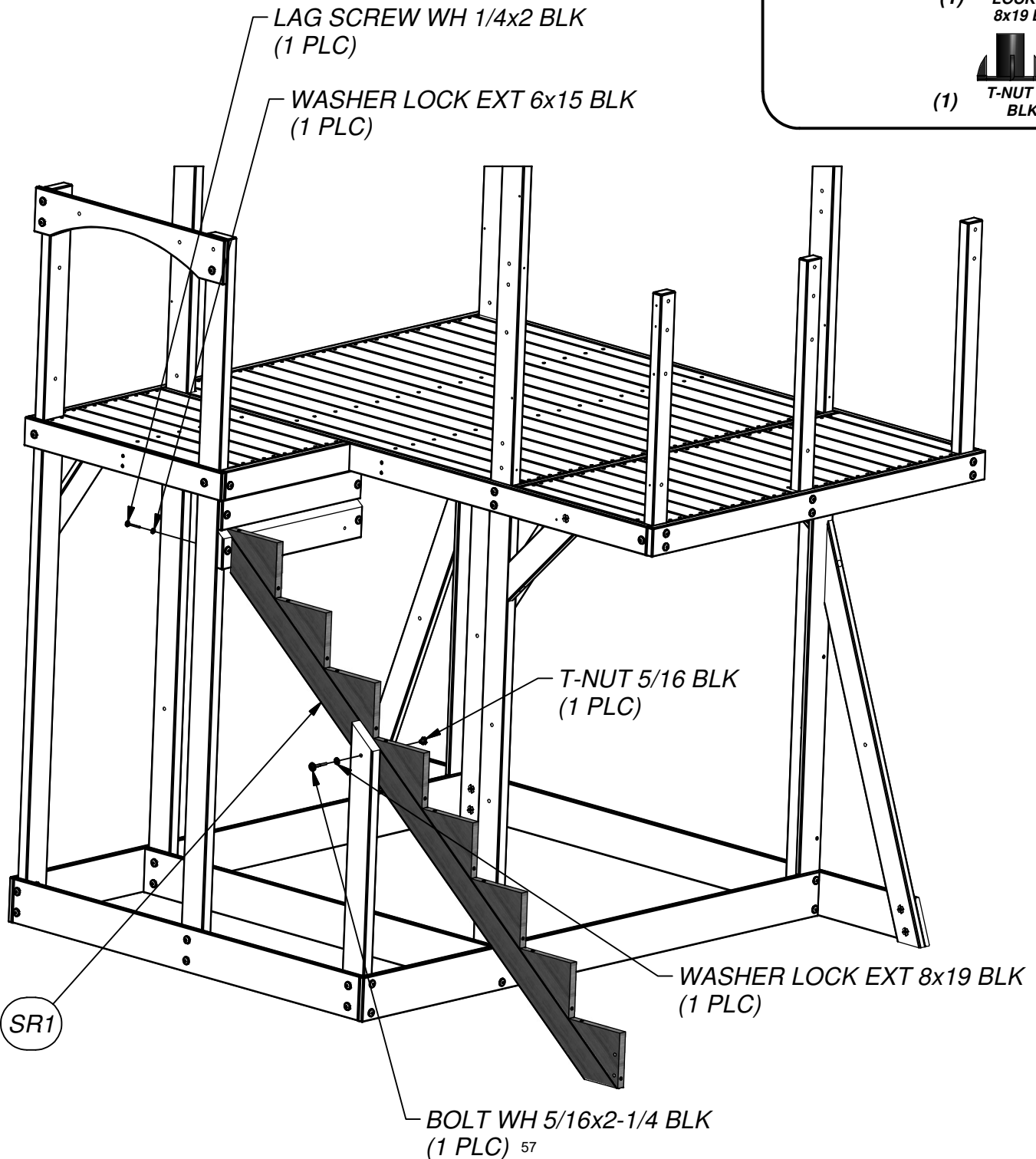
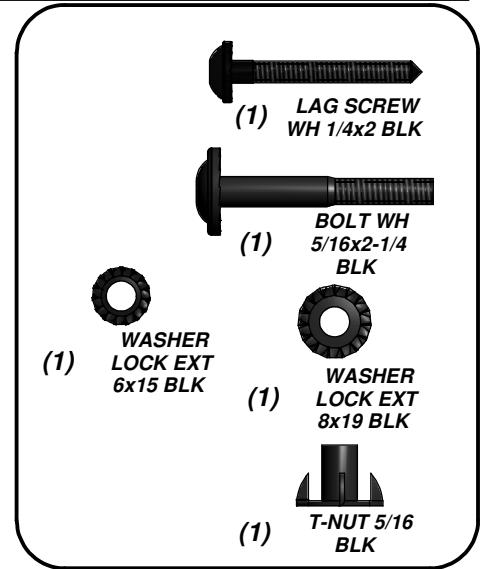
**STEP 26**





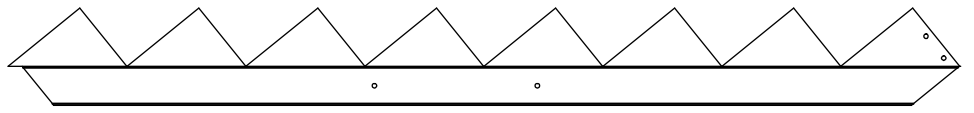
(1) **SR1 - STAIR RAIL - W2A01863**  
1"x8 3/8"x82 5/8" (24x214x2099)

**STEP 27**





(1) H13 - WALL SPACER - W4L06126  
1"x3 3/8"x3 3/8" (24x86x86)

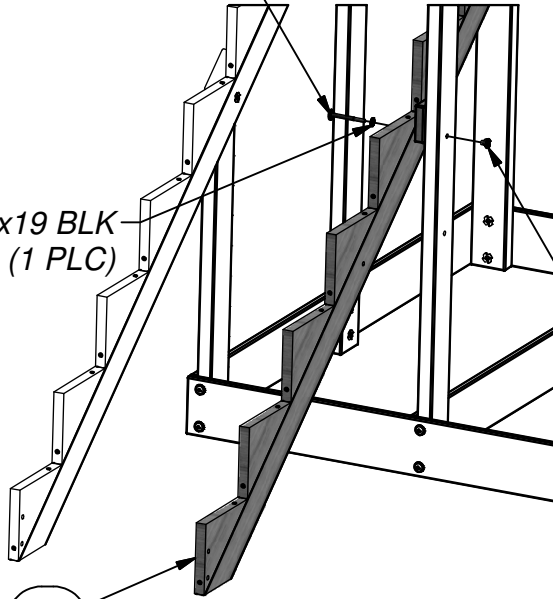


(1) SR2 - STAIR RAIL - W2A01868  
1"x8 3/8"x82 5/8" (24x214x2099)

**STEP 28**

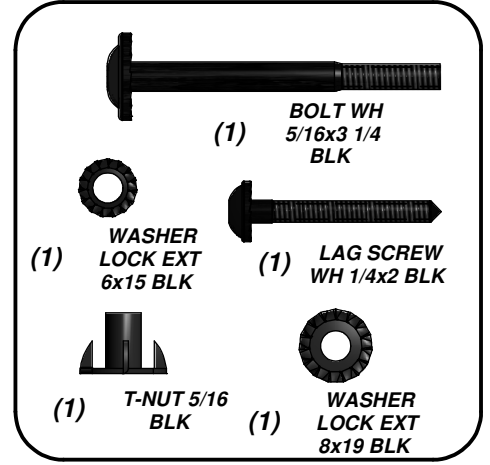
BOLT WH 5/16x3 1/4 BLK  
(1 PLC)

WASHER LOCK EXT 8x19 BLK  
(1 PLC)



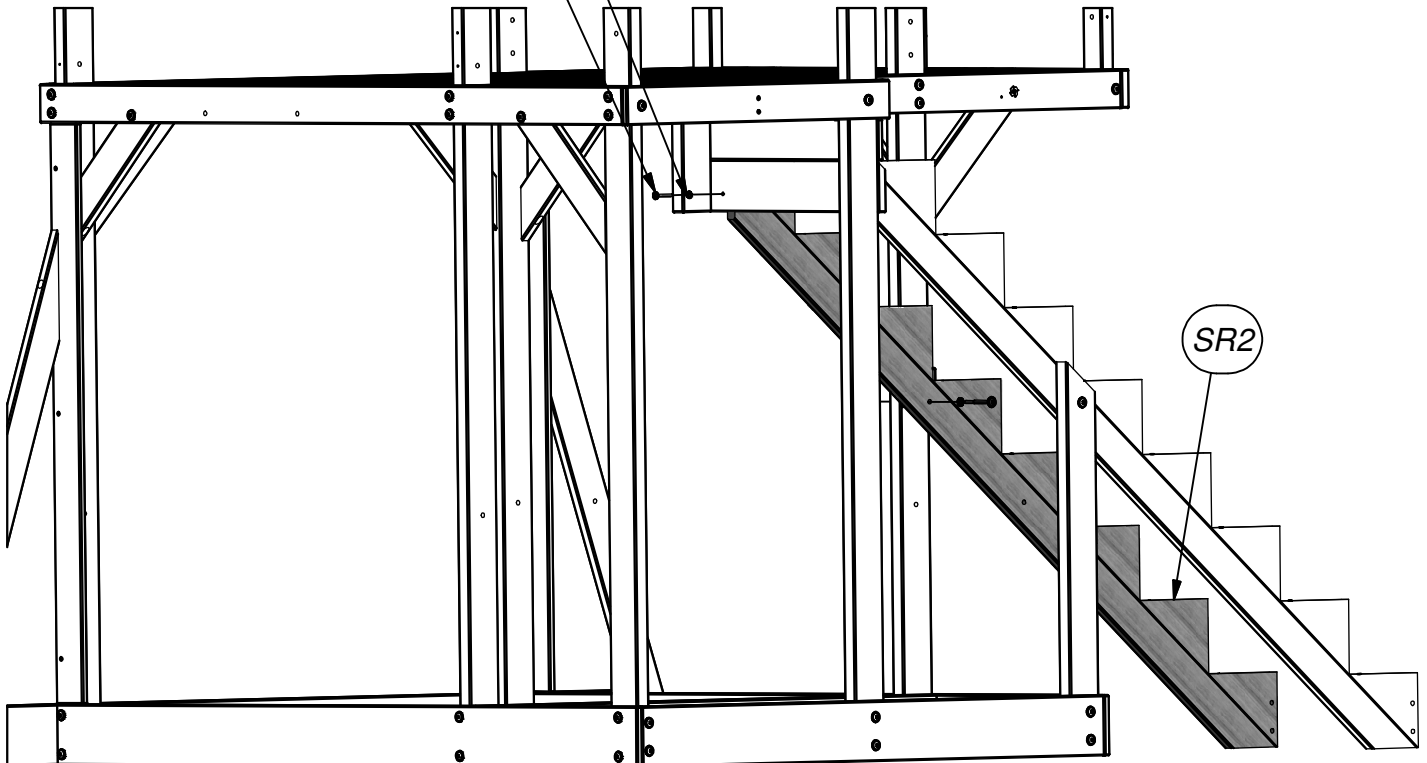
T-NUT 5/16 BLK  
(1 PLC)

SR2

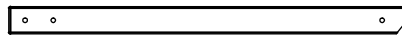


WASHER LOCK EXT 6x15 BLK  
(1 PLC)

LAG SCREW WH 1/4x2 BLK  
(1 PLC)

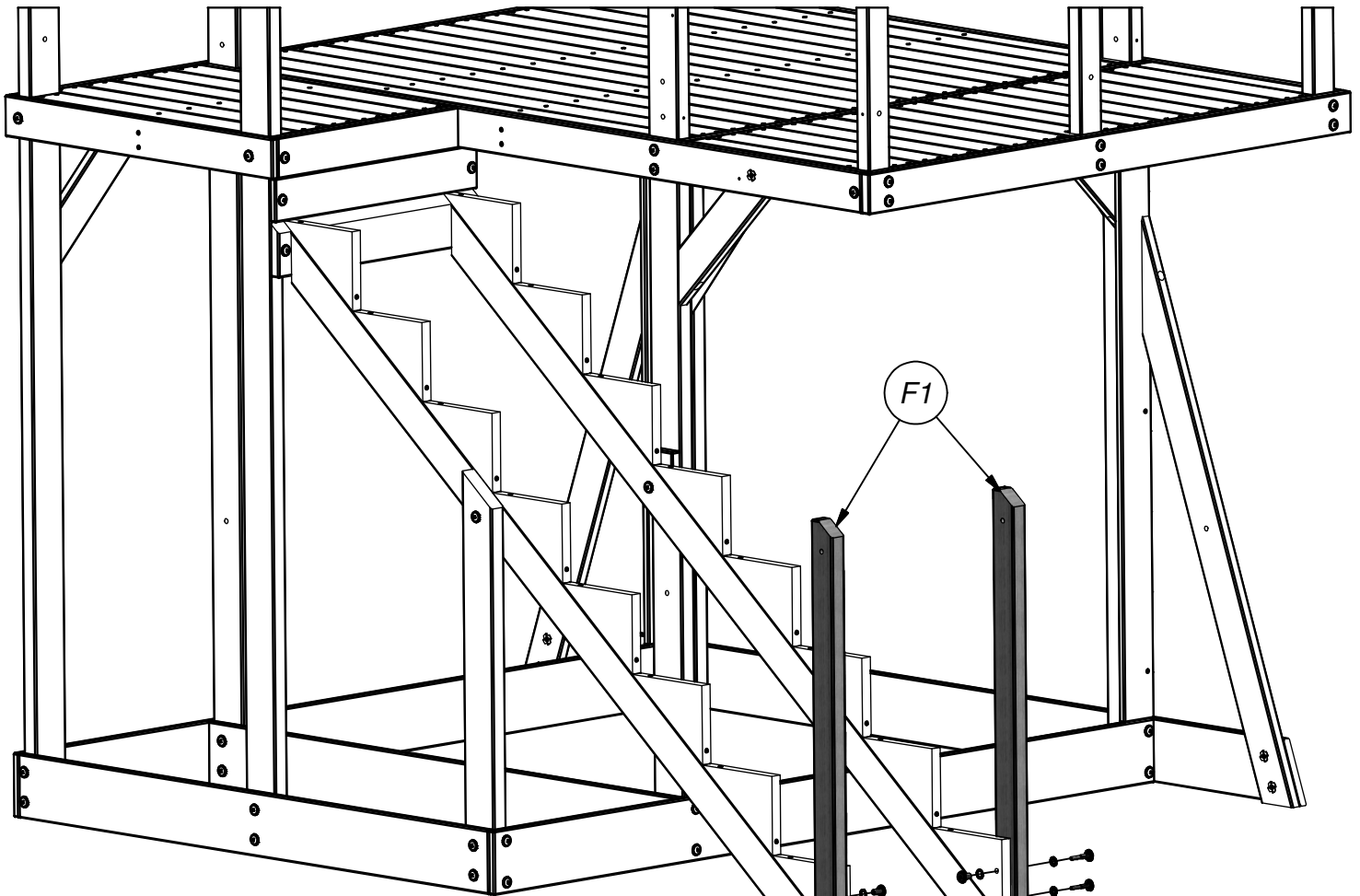
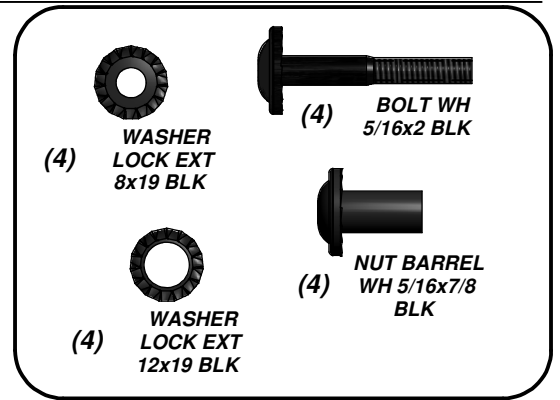


SR2



(2) **F1 - UPRIGHT - W4L06131**  
1 3/8"x2 3/8"x34 7/8" (36x60x887)

**STEP 29**



**BOLT WH 5/16x2 BLK (4 PLCS)**

**WASHER LOCK EXT 8x19 BLK (4 PLCS)**

**NUT BARREL WH 5/16x7/8 BLK (4 PLCS)**

**WASHER LOCK EXT 12x19 BLK (4 PLCS)**



(1) **H1 - HANDRAIL - W4L06132**  
1"x3 3/8"x88 3/4" (24x86x2253)

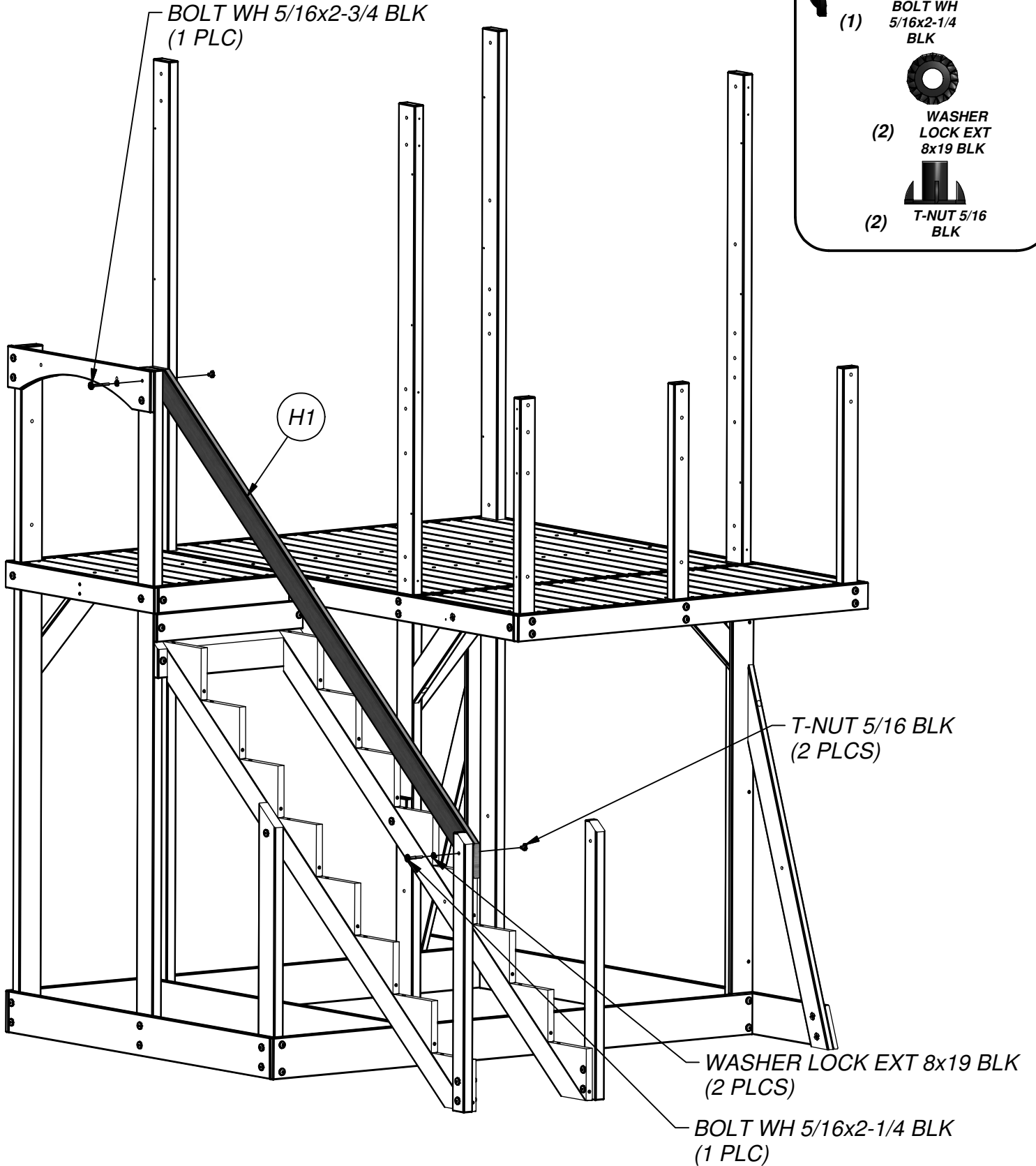
**STEP 30**

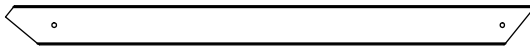
(1) **BOLT WH**  
5/16x2-3/4  
BLK

(1) **BOLT WH**  
5/16x2-1/4  
BLK

(2) **WASHER**  
LOCK EXT  
8x19 BLK

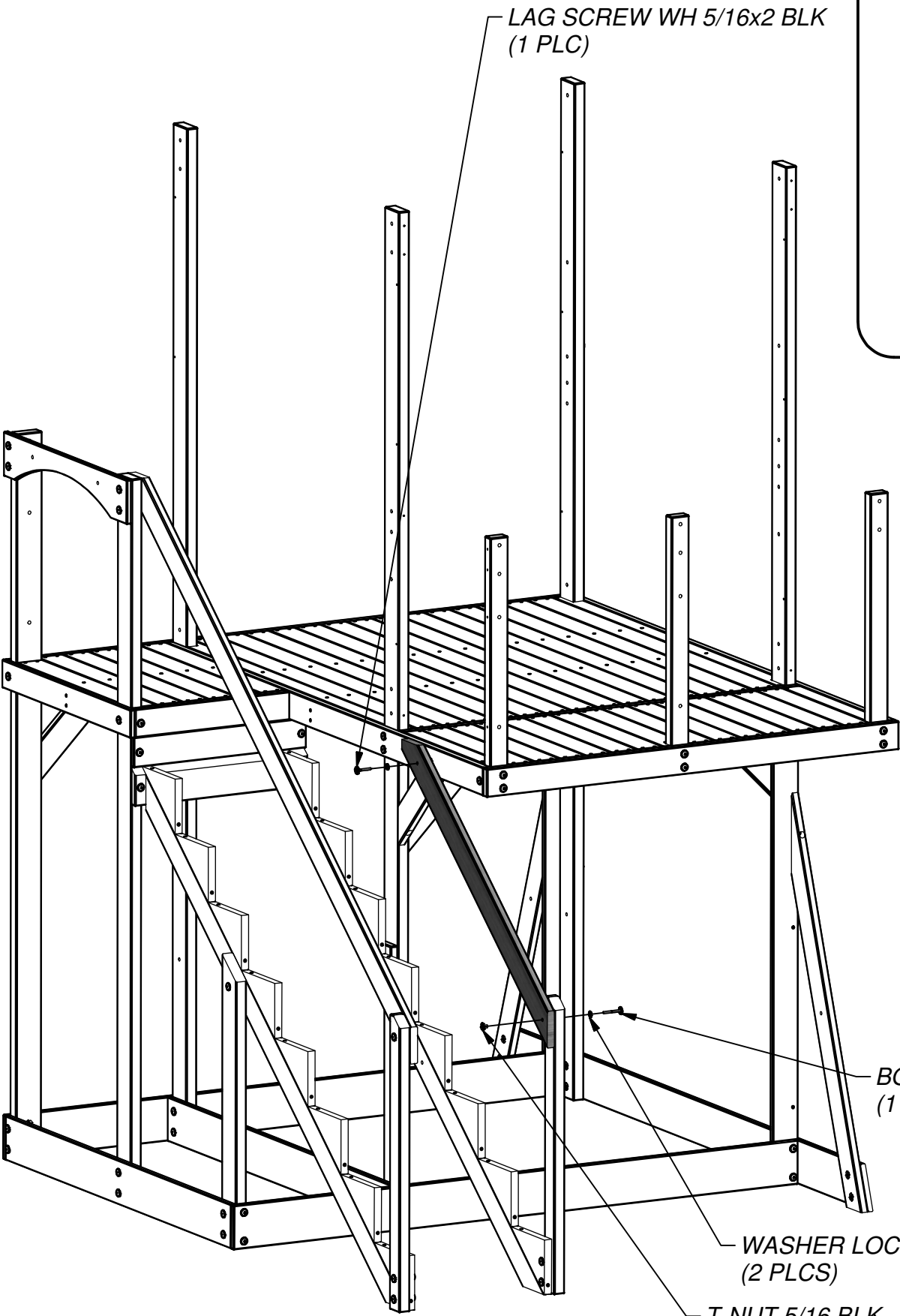
(2) **T-NUT 5/16**  
BLK





(1) **H11 - HANDRAIL - W4L06133**  
 1"x3 3/8"x46" (24x86x1170)

**STEP 31**



LAG SCREW WH 5/16x2 BLK  
 (1 PLC)

(1) **BOLT WH 5/16x2-1/4 BLK**

(1) **LAG SCREW WH 5/16x2 BLK**

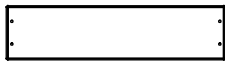
(2) **WASHER LOCK EXT 8x19 BLK**

(1) **T-NUT 5/16 BLK**

BOLT WH 5/16x2-1/4 BLK  
 (1 PLC)

WASHER LOCK EXT 8x19 BLK  
 (2 PLCS)

T-NUT 5/16 BLK  
 (1 PLC)

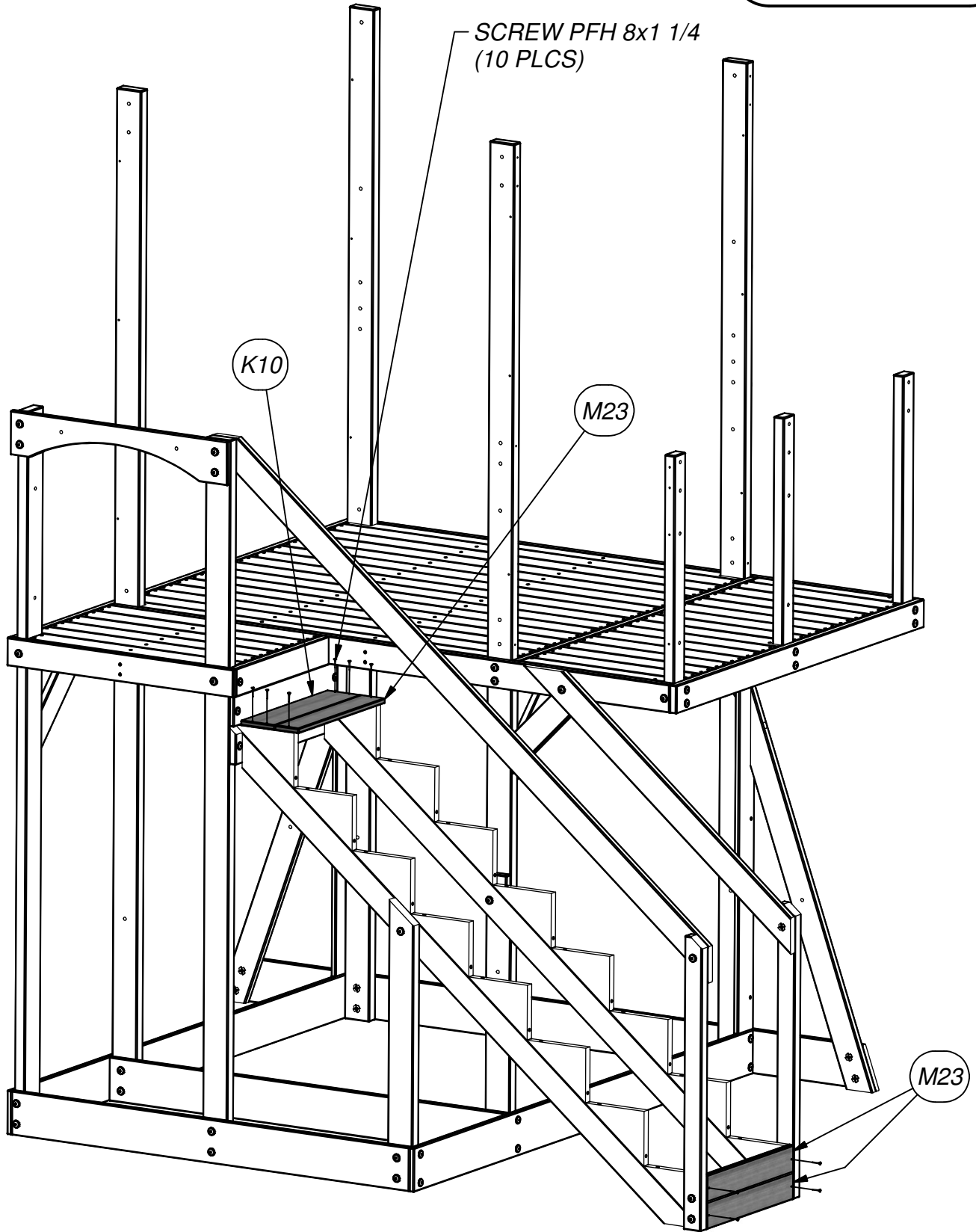
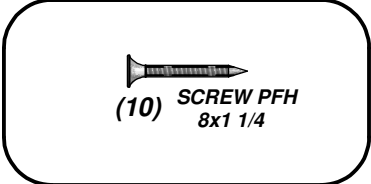


(1) **K10 - STAIR STEP BOARD - W4L06123**  
 5/8"x4 5/8"x19" (16x119x483)



(3) **M23 - STAIR STEP BOARD - W4L06122**  
 5/8"x3 1/4"x19" (16x83x483)

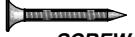
**STEP 32**

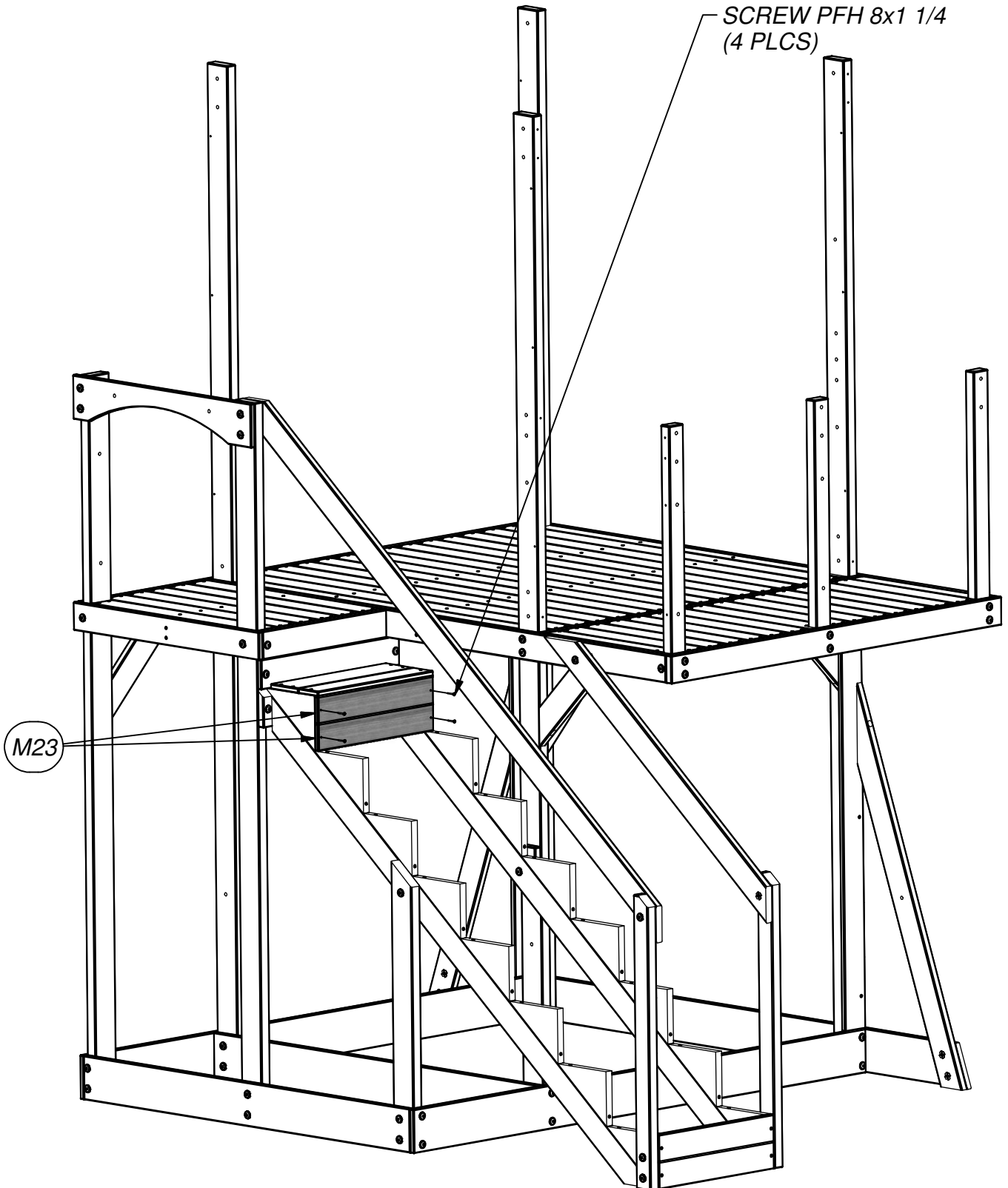


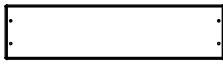


(2) **M23 - STAIR STEP BOARD - W4L06122**  
5/8"x3 1/4"x19" (16x83x483)

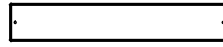
**STEP 33**

  
**(4) SCREW PFH**  
8x1 1/4



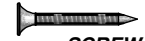


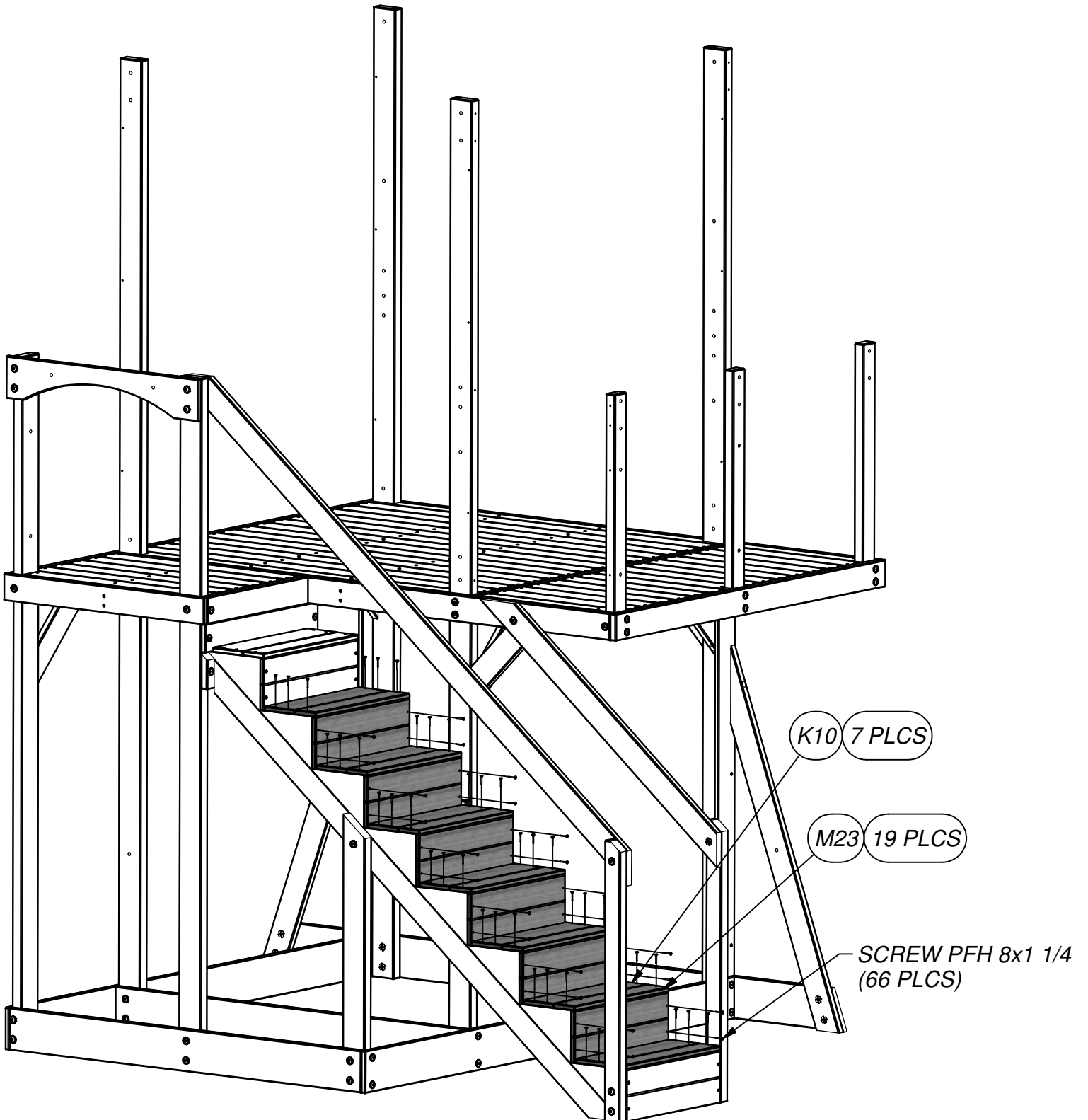
(7) **K10 - STAIR STEP BOARD - W4L06123**  
 5/8"x4 5/8"x19" (16x119x483)

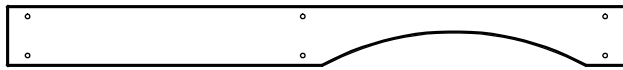


(19) **M23 - STAIR STEP BOARD - W4L06122**  
 5/8"x3 1/4"x19" (16x83x483)

**STEP 34**

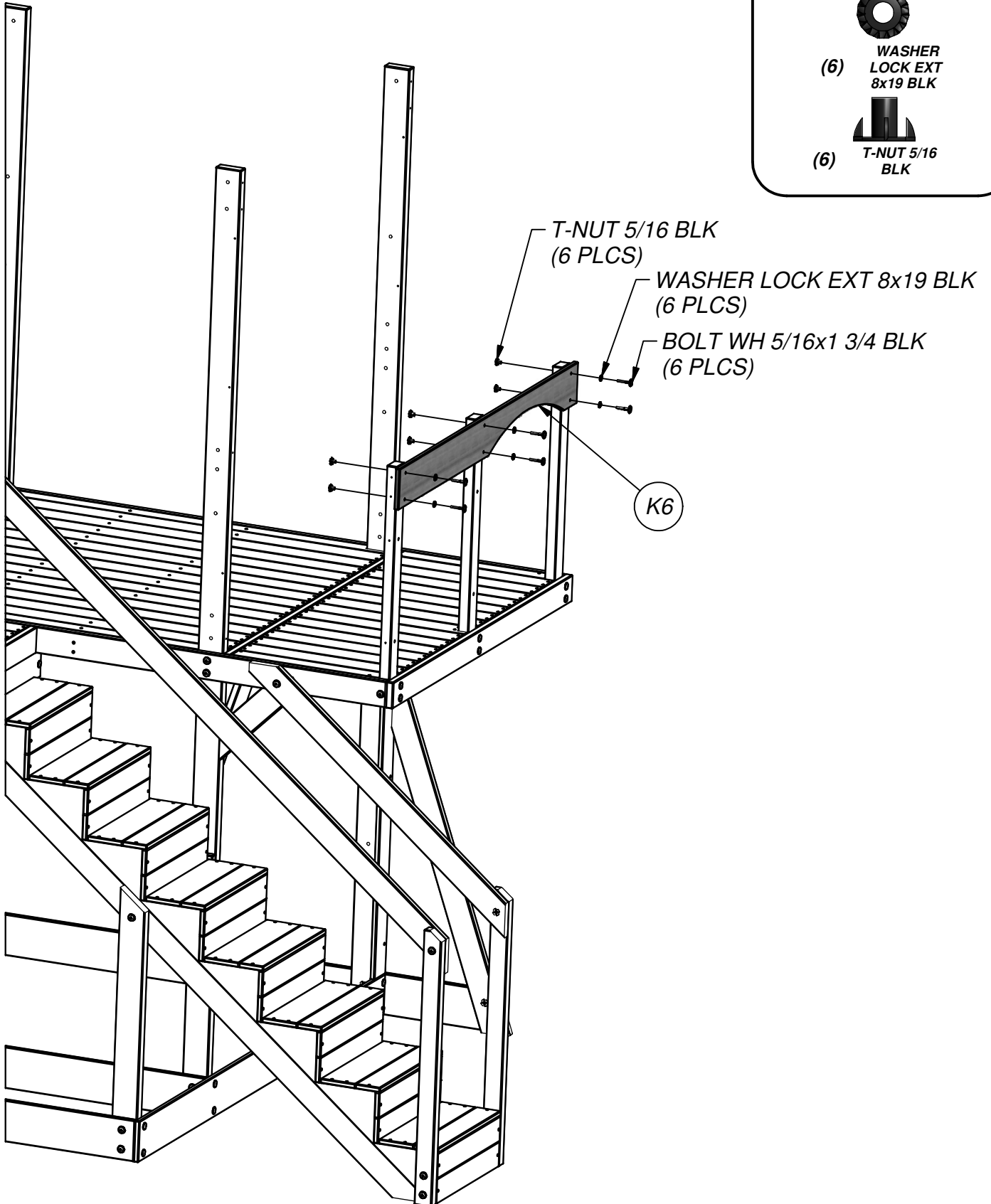
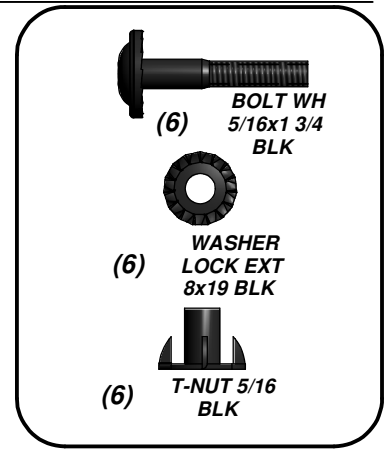
  
**(66) SCREW PFH**  
 8x1 1/4

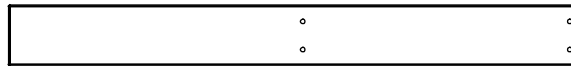




(1) **K6 - ARCHED RAIL - W4L06084**  
5/8"x5 1/4"x54 1/8" (16x134x1374)

**STEP 35**






(1) **K8 - WALL RAIL - W4L06095**  
5/8"x5 1/4"x49 1/2" (16x134x1256)

**STEP 36**

**BOLT WH 5/16x1 3/4 BLK**  
(2 PLCS)

**T-NUT 5/16 BLK**  
(2 PLCS)

  
**BOLT WH**  
(2) **5/16x1 3/4**  
**BLK**

  
**WASHER**  
**LOCK EXT**  
(4) **8x19 BLK**

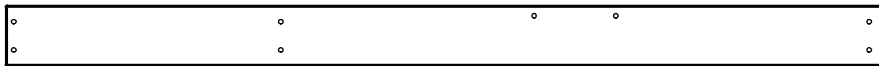
  
(2) **T-NUT 5/16**  
**BLK**

  
(2) **LAG SCREW**  
**WH 5/16x1 1/2**  
**BLK**

**K8**

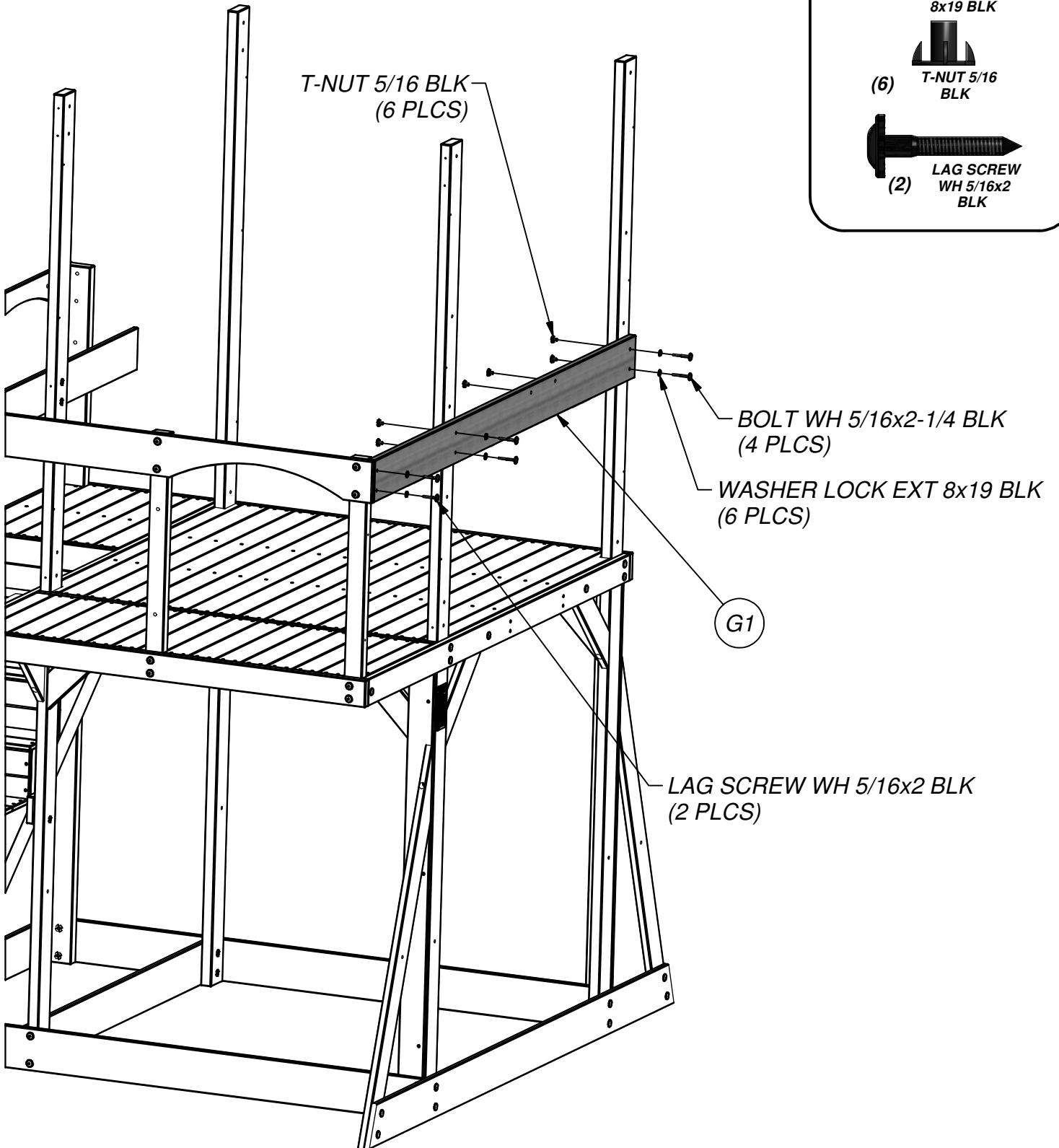
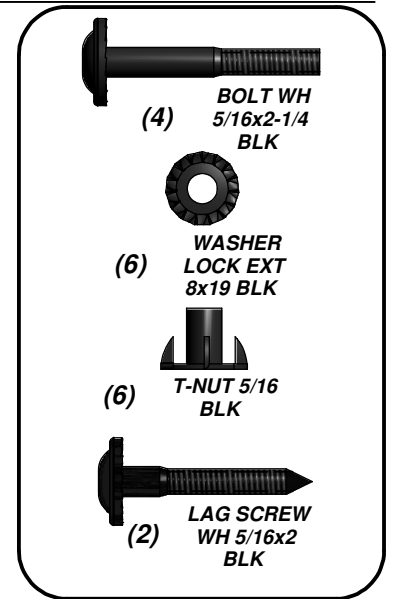
**WASHER LOCK EXT 8x19 BLK**  
(4 PLCS)

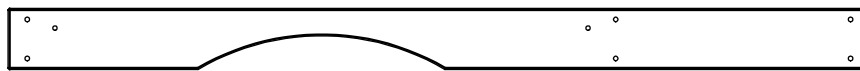
**LAG SCREW WH 5/16x1 1/2 BLK**  
(2 PLCS)



(1) **G1 - WALL RAIL - W4L06086**  
1"x5 1/4"x76 3/4" (24x134x1948)

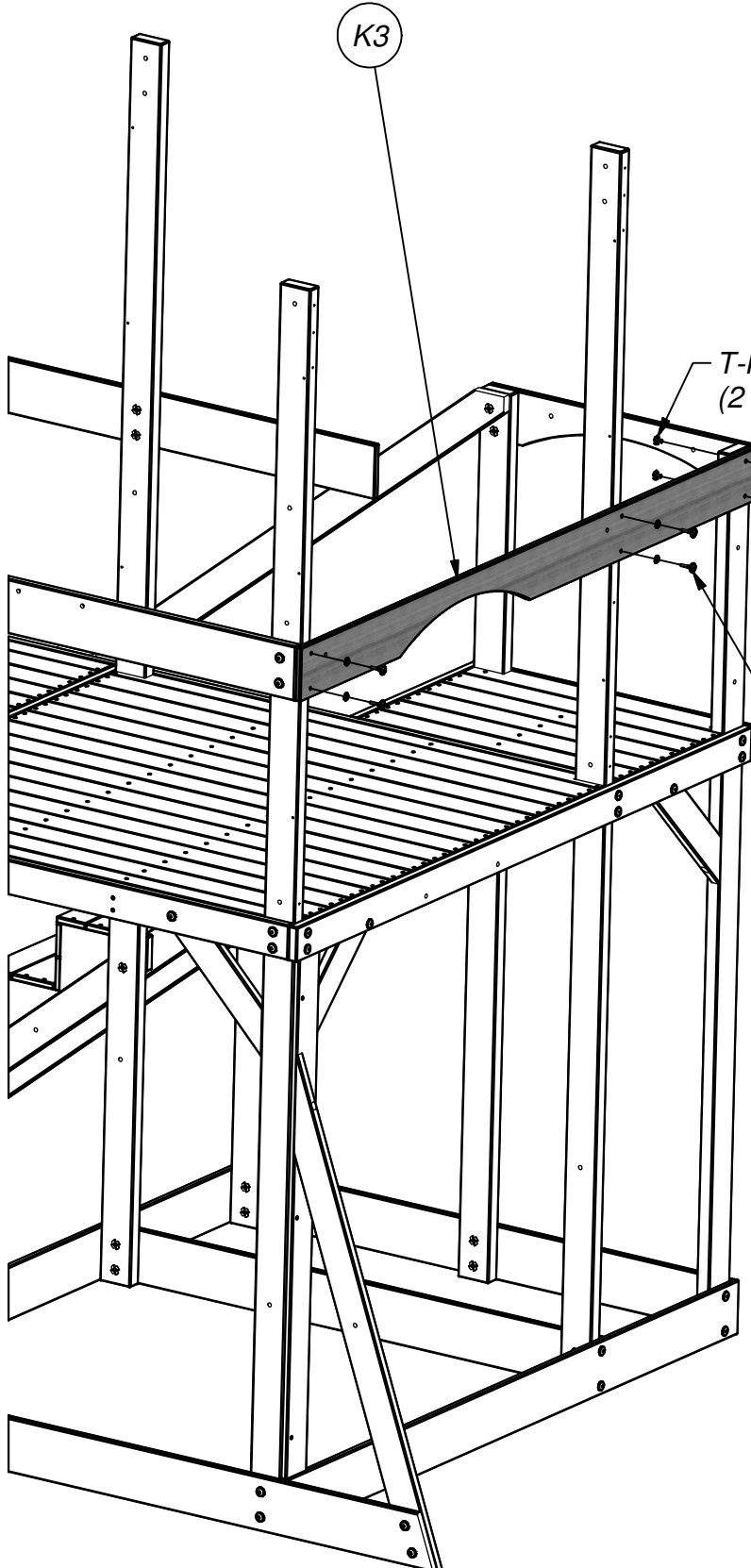
**STEP 37**





(1) **K3 - ARCHED RAIL - W4L06106**  
5/8"x5 1/4"x74 7/8" (16x134x1901)

**STEP 38**



K3

T-NUT 5/16 BLK  
(2 PLCS)

BOLT WH 5/16x1 3/4 BLK  
(2 PLCS)

WASHER LOCK EXT 8x19 BLK  
(6 PLCS)

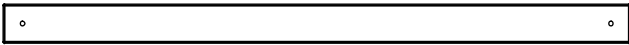
LAG SCREW WH 5/16x1 1/2 BLK  
(4 PLCS)

(2) **BOLT WH**  
5/16x1 3/4  
BLK

(6) **WASHER**  
LOCK EXT  
8x19 BLK

(2) **T-NUT** 5/16  
BLK

(4) **LAG SCREW**  
WH 5/16x1 1/2  
BLK

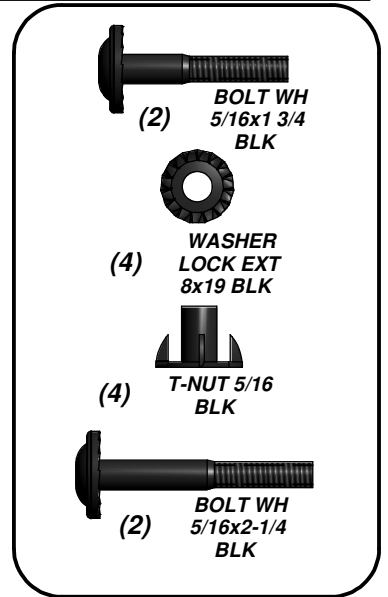
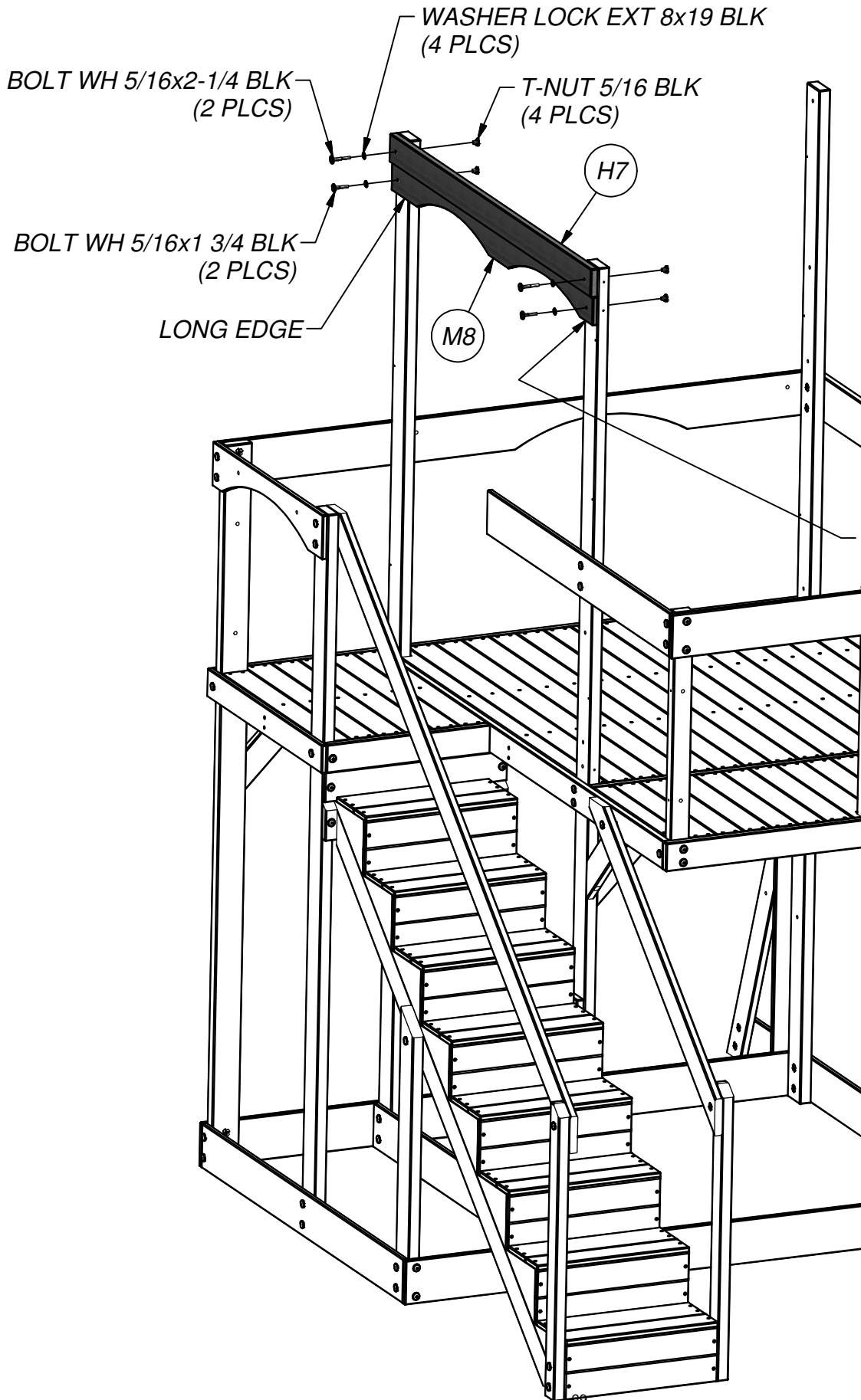


(1) H7 - WALL RAIL - W4L06100  
1"x3 3/8"x54 1/2" (24x86x1384)



(1) M8 - ARCHED RAIL - W4L06101  
5/8"x3 3/8"x54 1/2" (16x86x1384)

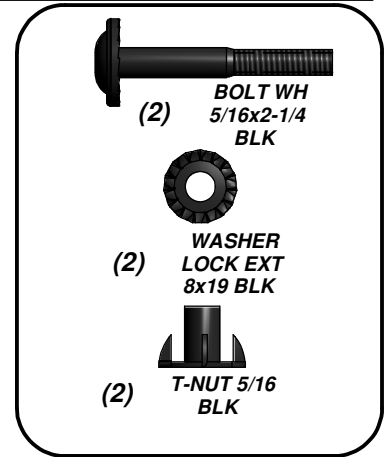
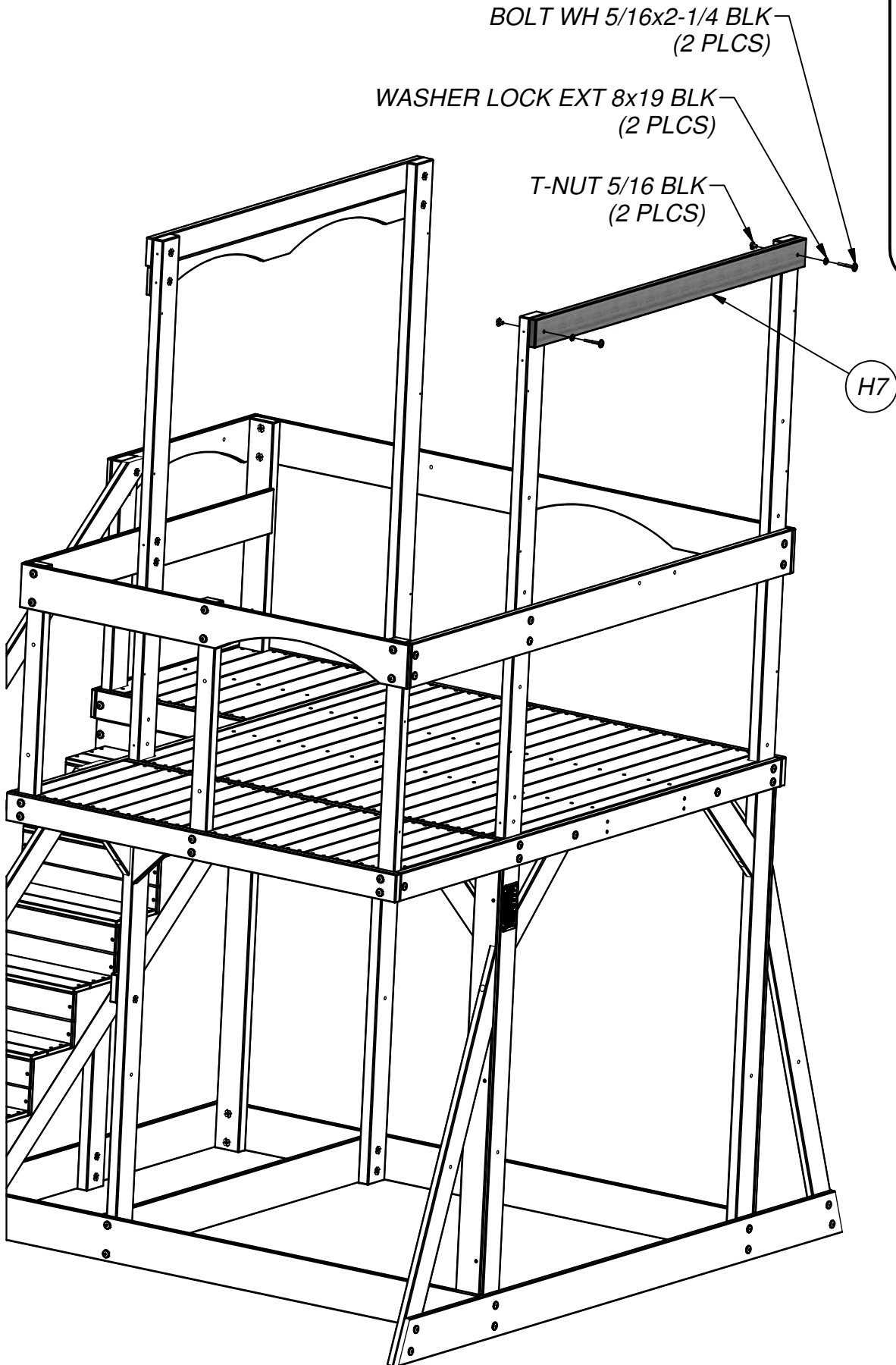
**STEP 39**

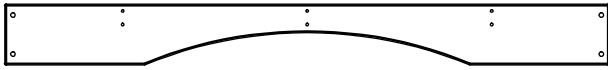




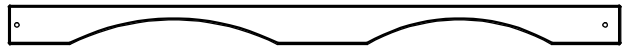
(1) **H7 - WALL RAIL - W4L06100**  
1"x3 3/8"x54 1/2" (24x86x1384)

**STEP 40**



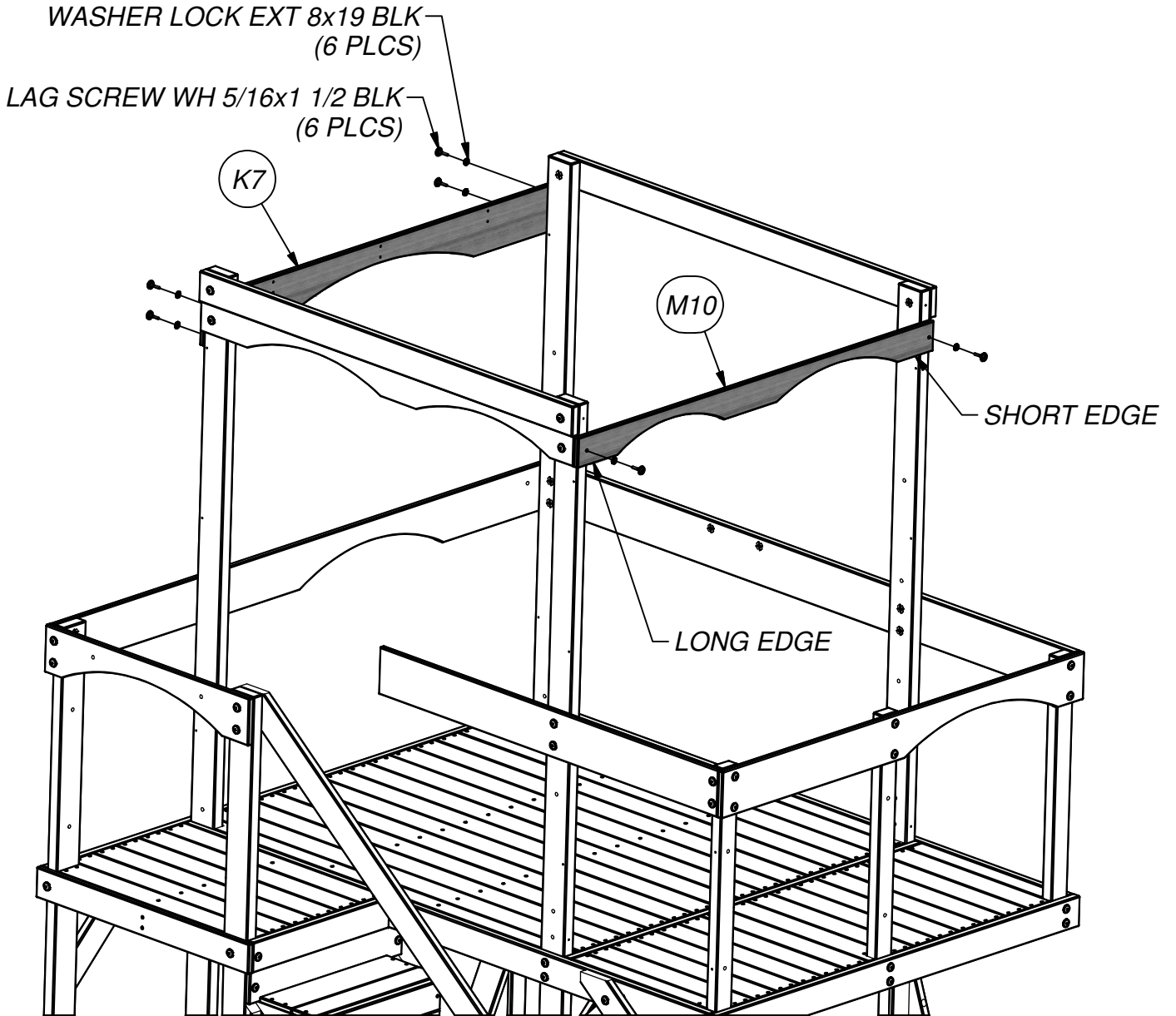
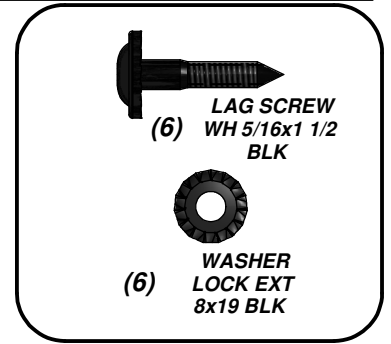


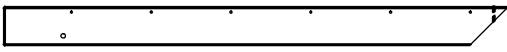
(1) **K7 - ARCHED RAIL - W4L06105**  
5/8"x5 1/4"x52 1/2" (16x134x1334)



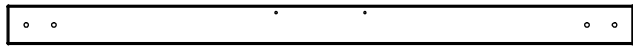
(1) **M10 - ARCHED RAIL - W4L06103**  
5/8"x3 3/8"x53 1/8" (16x86x1350)

**STEP 41**



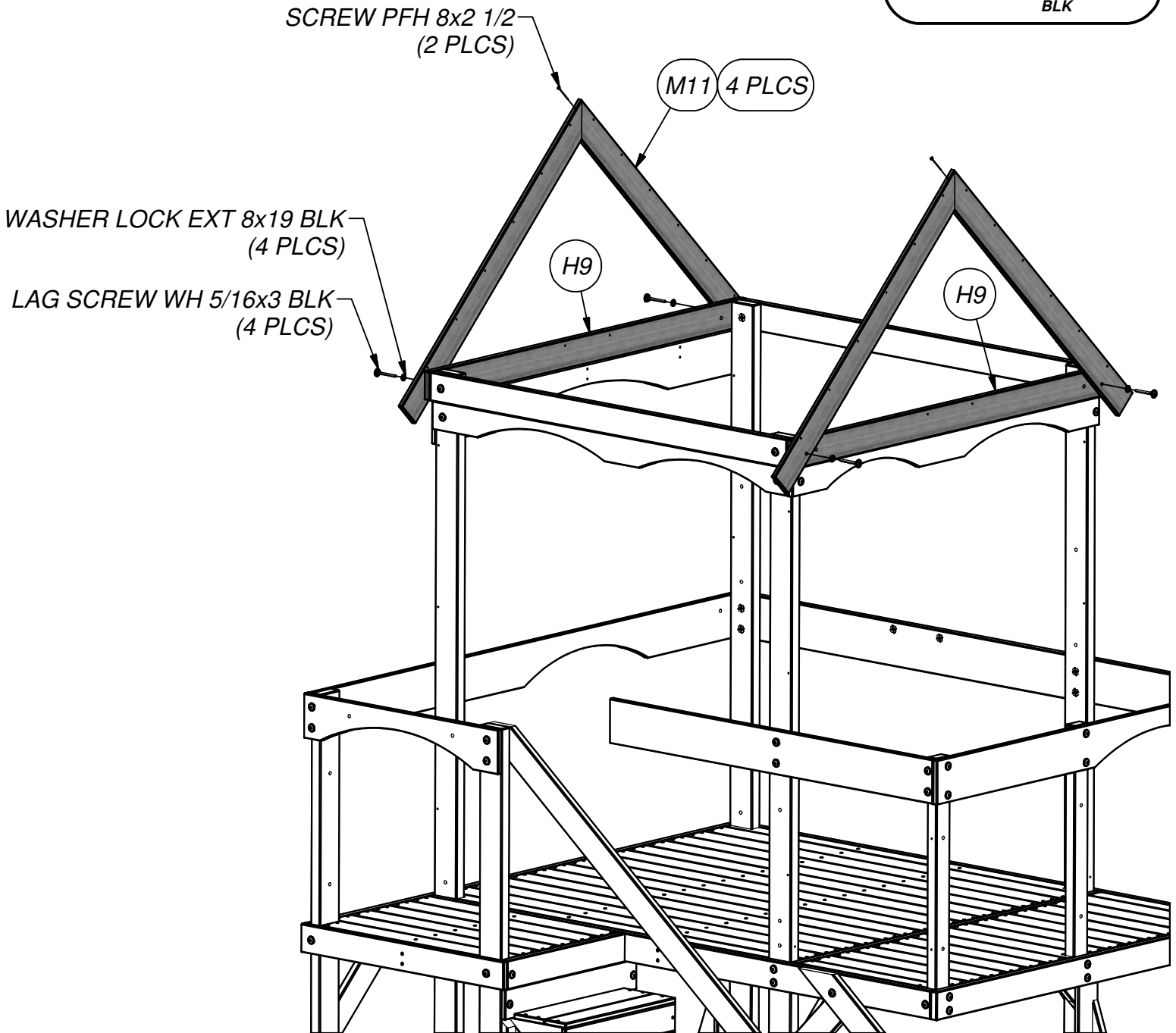
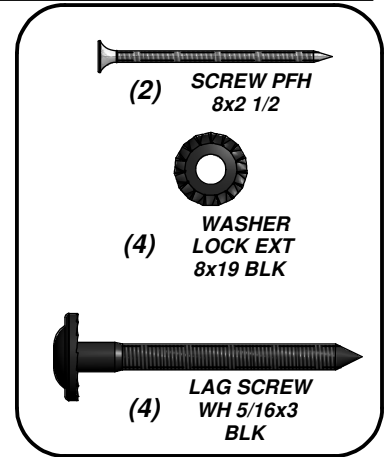


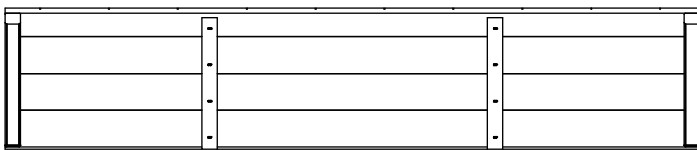
(4) **M11 - ROOF RAFTER - W4L06114**  
5/8"x3 3/8"x43 7/8" (16x86x1114)



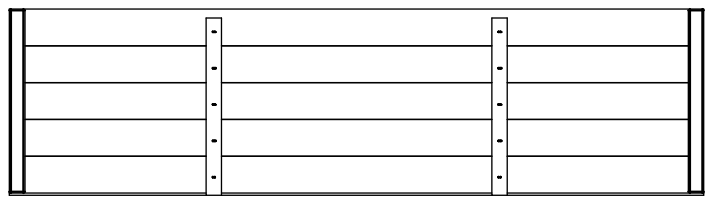
(2) **H9 - WALL RAIL - W4L06102**  
1"x3 3/8"x54 3/8" (24x86x1382)

**STEP 42**





(1) **RP1 - ROOF PANEL - W2A01860**  
1 3/8"x12 1/4"x59 1/2" (35x311x1532)

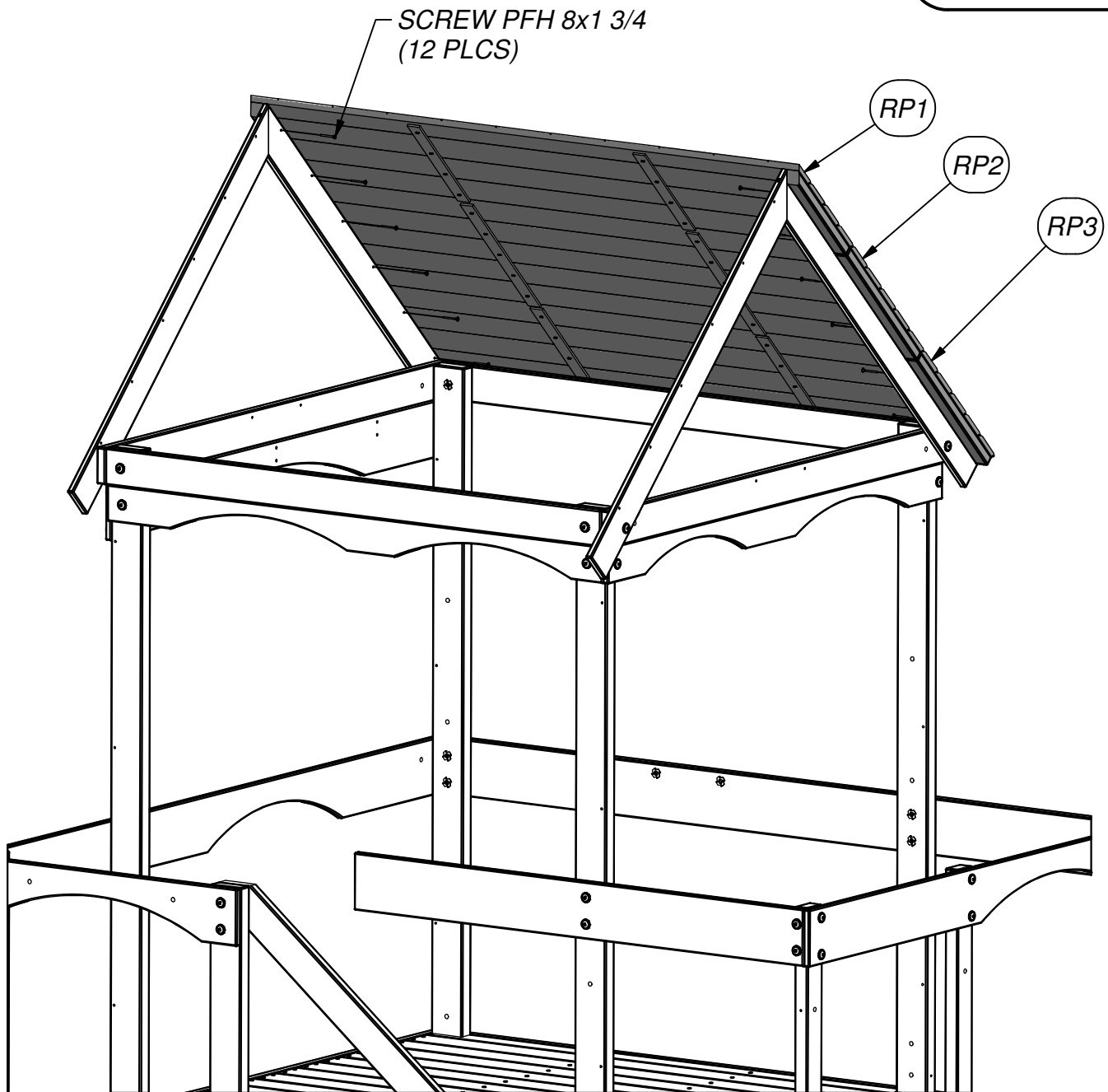
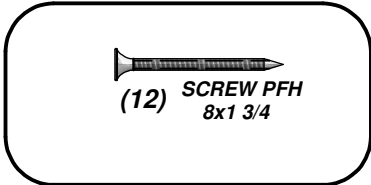


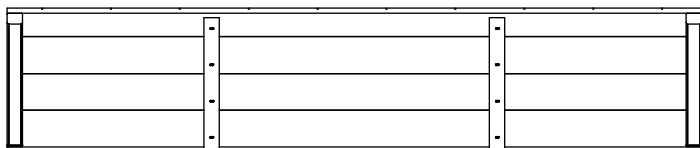
(1) **RP2 - ROOF PANEL - W2A01861**  
1 3/8"x16 1/8"x59 1/2" (35x410x1532)



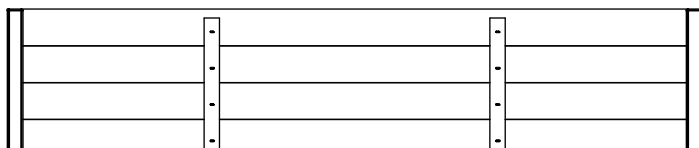
(1) **RP3 - ROOF PANEL - W2A01862**  
1 3/8"x16 1/8"x59 1/2" (35x410x1532)

**STEP 43**

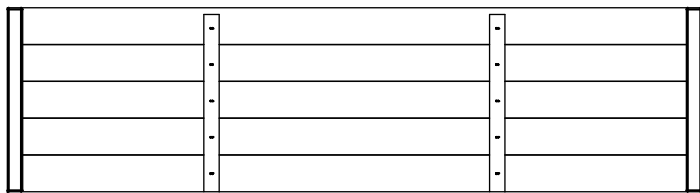




(1) **RP1 - ROOF PANEL - W2A01860**  
1 3/8"x12 1/4"x59 1/2" (35x311x1532)



(1) **RP2 - ROOF PANEL - W2A01861**  
1 3/8"x16 1/8"x59 1/2" (35x410x1532)

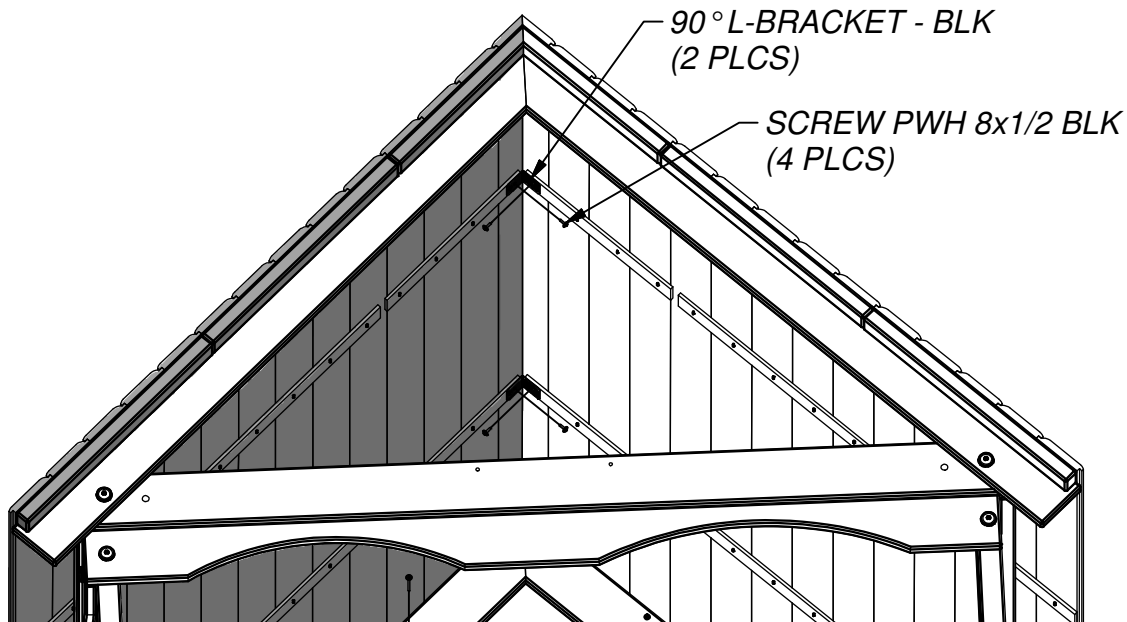
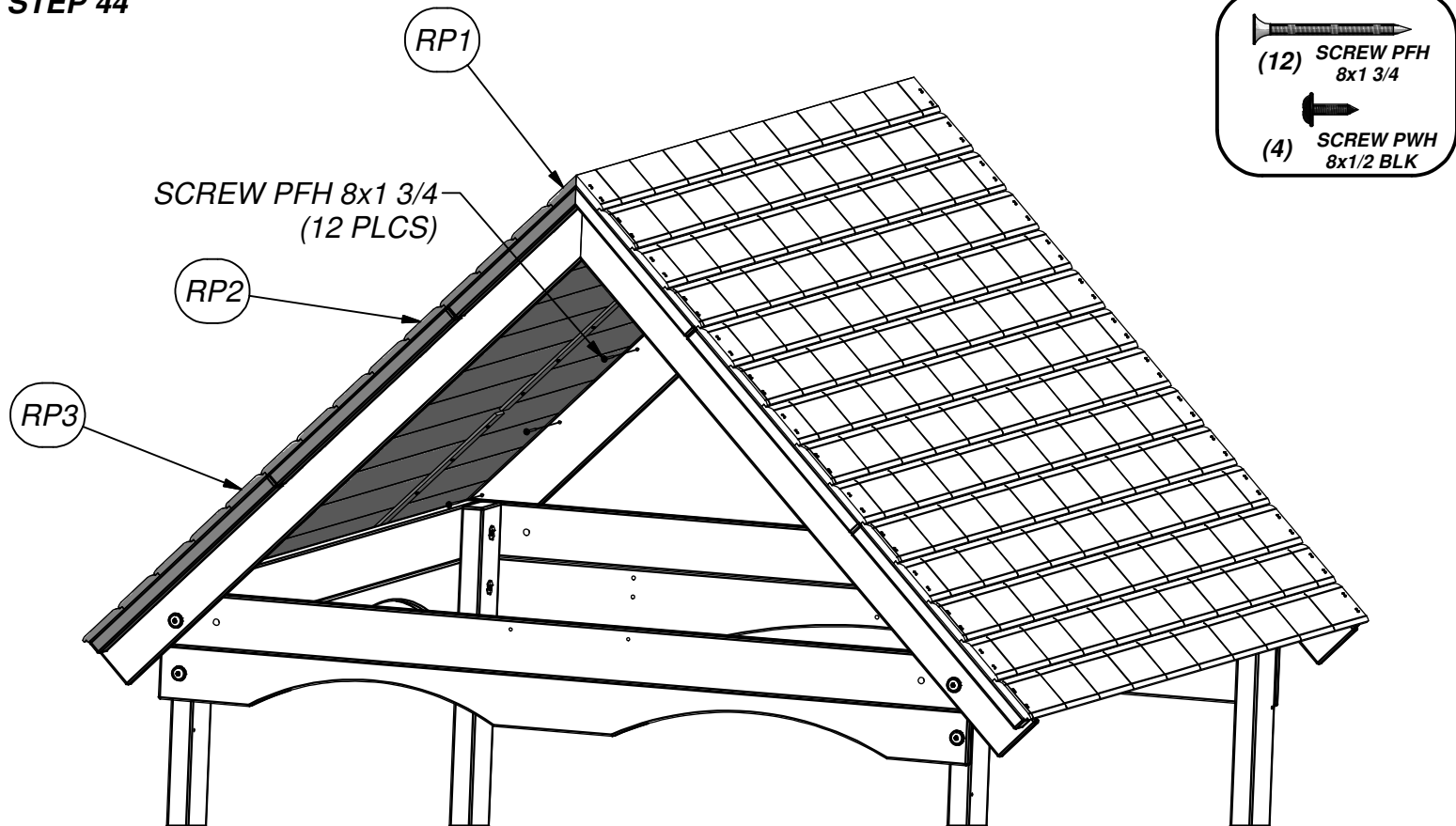


(1) **RP3 - ROOF PANEL - W2A01862**  
1 3/8"x16 1/8"x59 1/2" (35x410x1532)



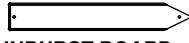
(2) **- 90° L-BRACKET - BLK - A4M00555**

**STEP 44**

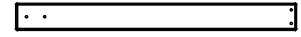




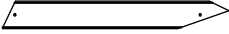
(1) **K11 - HALF MOON PLATE - W4L06115**  
5/8"x5 1/4"x12 5/8" (16x134x320)



(2) **N6 - SUNBURST BOARD - W4L06117**  
5/8"x2 3/8"x15 7/8" (16x60x404)

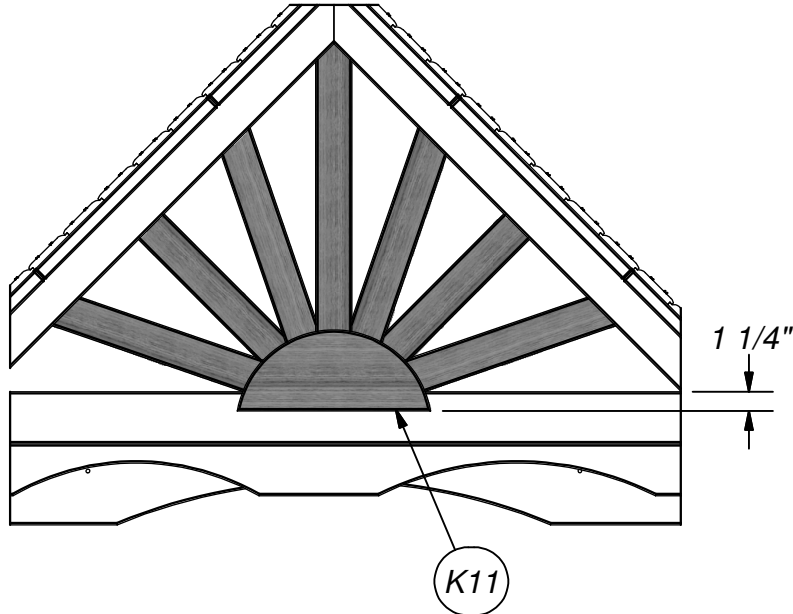


(1) **N2 - SUNBURST BOARD - W4L06116**  
5/8"x2 3/8"x24 3/8" (16x60x620)



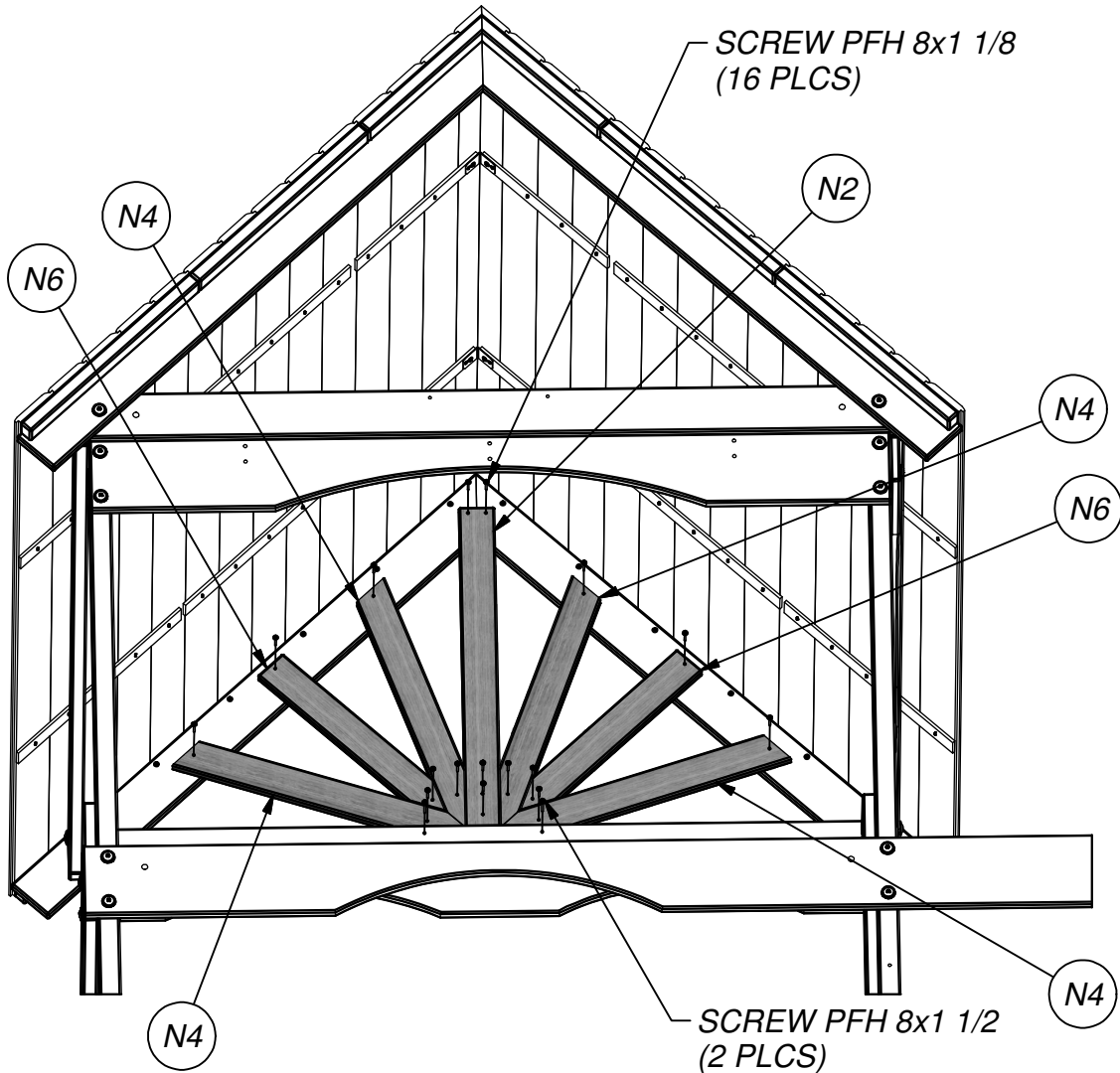
(4) **N4 - SUNBURST BOARD - W4L06118**  
5/8"x2 3/8"x19 5/8" (16x60x500)

### STEP 45



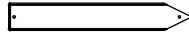
(16) SCREW PFH  
8x1 1/8

(2) SCREW PFH  
8x1 1/2

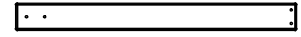




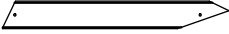
(1) **K11 - HALF MOON PLATE - W4L06115**  
5/8"x5 1/4"x12 5/8" (16x134x320)



(2) **N6 - SUNBURST BOARD - W4L06117**  
5/8"x2 3/8"x15 7/8" (16x60x404)




(1) **N2 - SUNBURST BOARD - W4L06116**  
5/8"x2 3/8"x24 3/8" (16x60x620)




(4) **N4 - SUNBURST BOARD - W4L06118**  
5/8"x2 3/8"x19 5/8" (16x60x500)

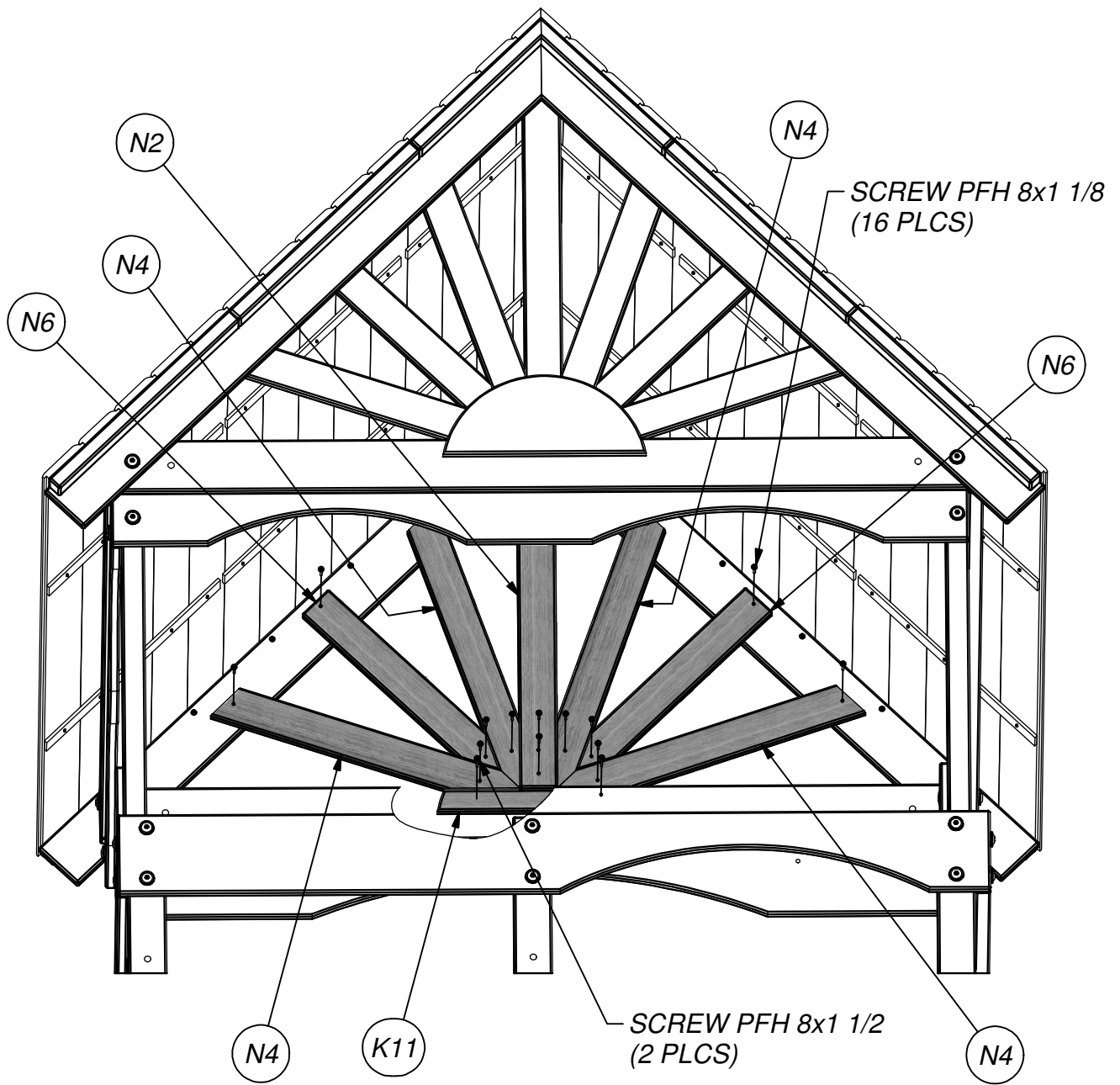
### STEP 46



(16) **SCREW PFH 8x1 1/8**



(2) **SCREW PFH 8x1 1/2**

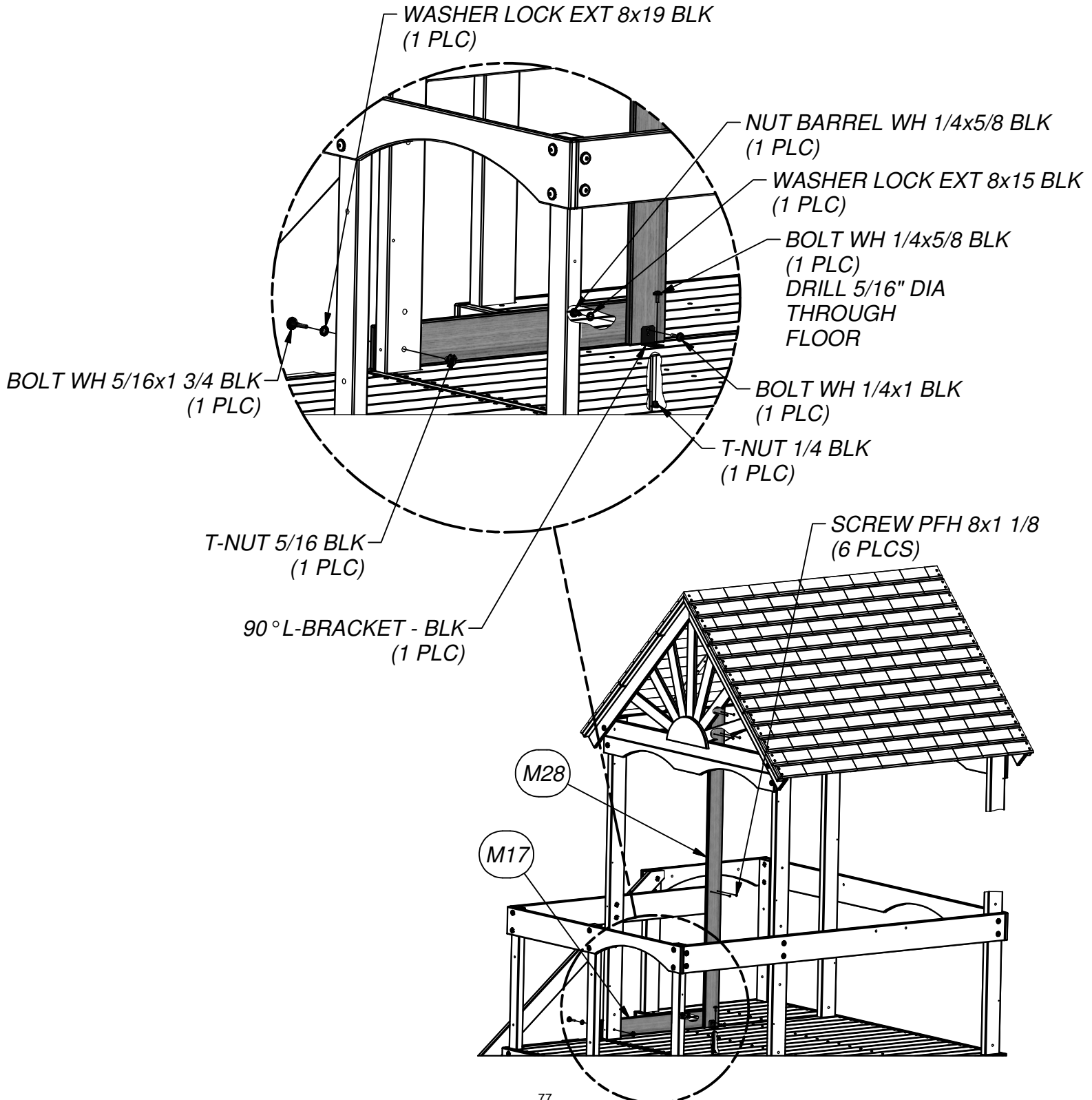
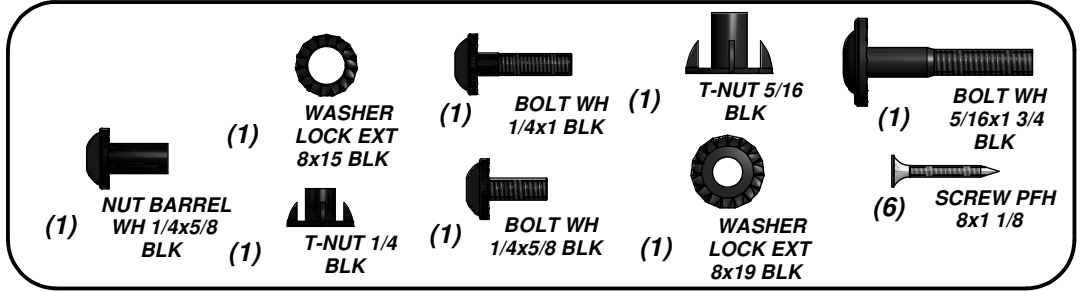


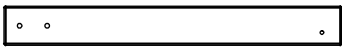
(1) M28 - WALL BOARD - W4L06180  
5/8"x3 3/8"x61 1/4" (16x86x1557)

(1) M17 - WALL RAIL - W4L06094  
5/8"x3 3/8"x27 1/4" (16x86x692)

(1) - 90° L-BRACKET - BLK - A4M00555

### STEP 47

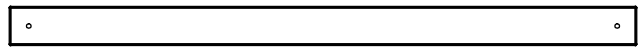




(1) M13 - WALL RAIL - W4L06112  
5/8"x3 3/8"x29 1/4" (16x86x744)

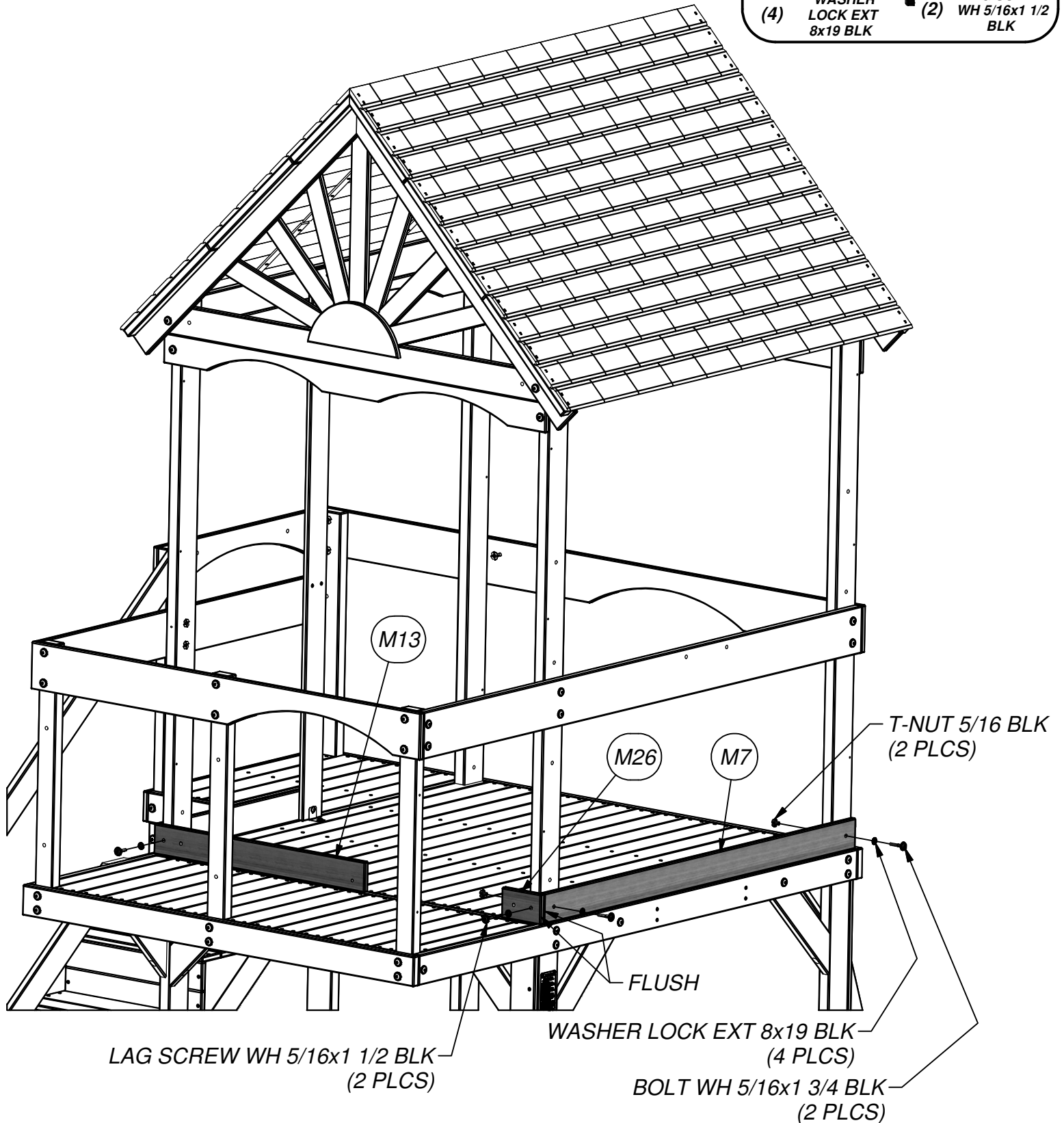
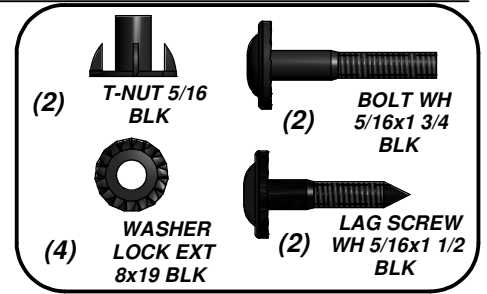


(1) M26 - WALL RAIL - W4L06110  
5/8"x3 3/8"x5 3/8" (16x86x138)



(1) M7 - WALL RAIL - W4L06087  
5/8"x3 3/8"x54 1/2" (16x86x1384)

### STEP 48



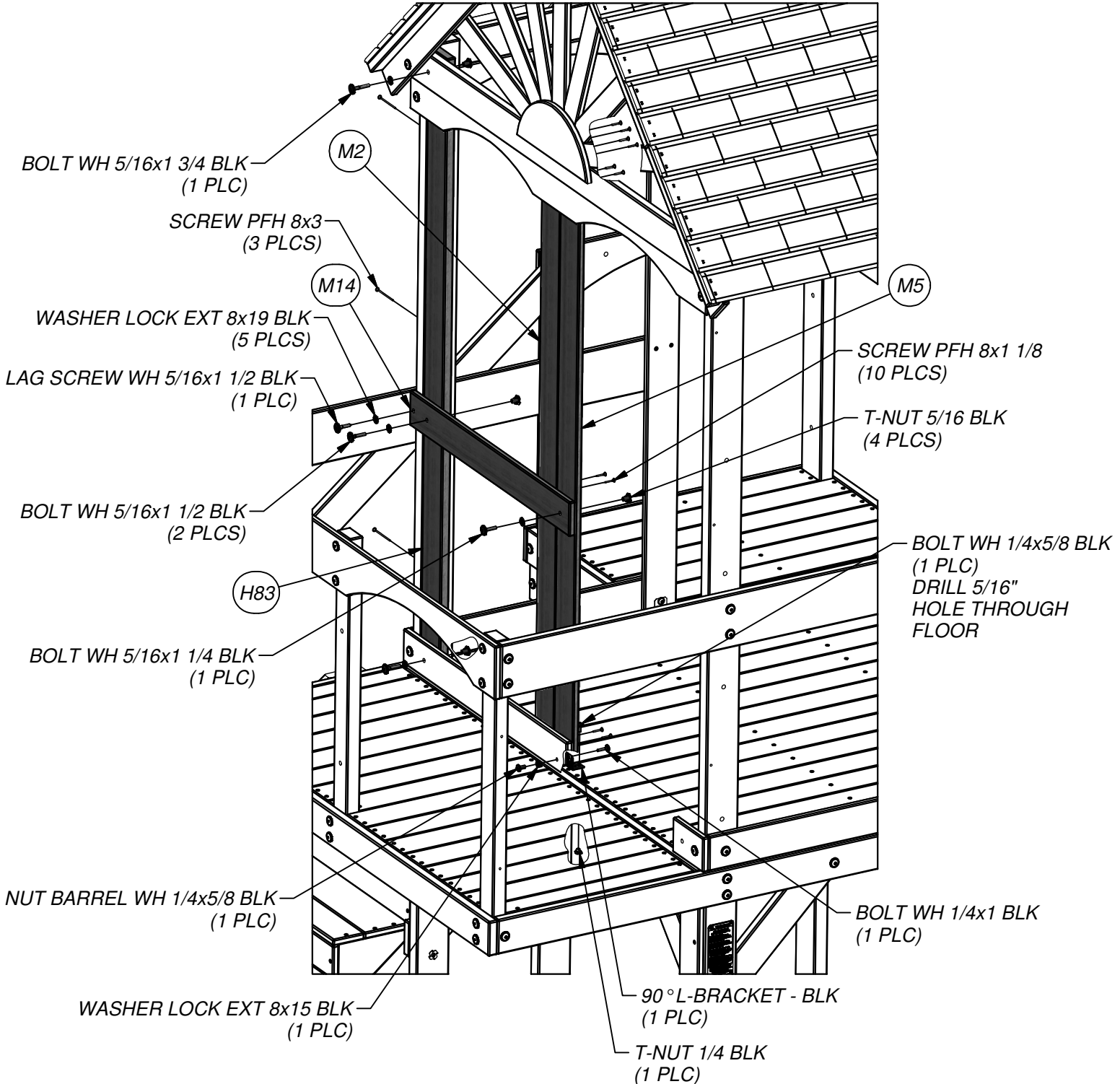
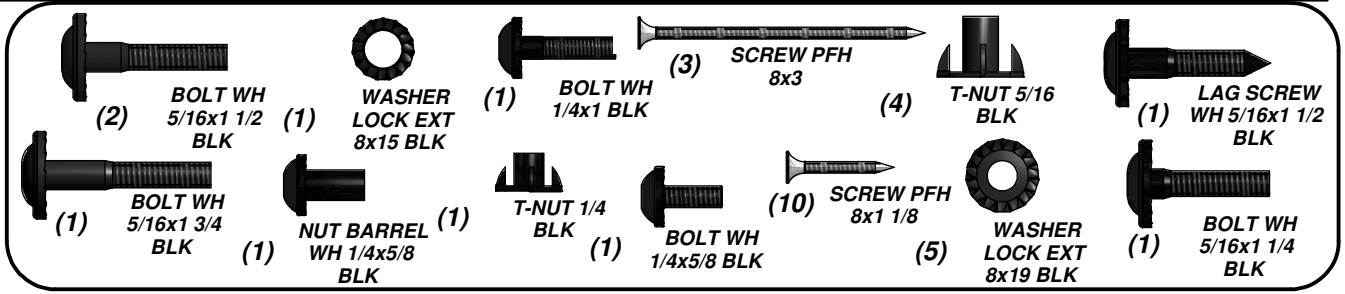
(1) -90° L-BRACKET - BLK - A4M00555 (1) M14 - WALL RAIL - W4L06113  
5/8"x3 3/8"x28 5/8" (16x86x728)

(1) M2 - WALL BOARD - W4L06097  
5/8"x3 3/8"x61 1/4" (16x86x1557)

(1) H83 - WALL BOARD - W4L06182  
1"x3 3/8"x61 1/4" (24x86x1557)

(1) M5 - WALL BOARD - W4L06111  
5/8"x3 3/8"x61 1/4" (16x86x1557)

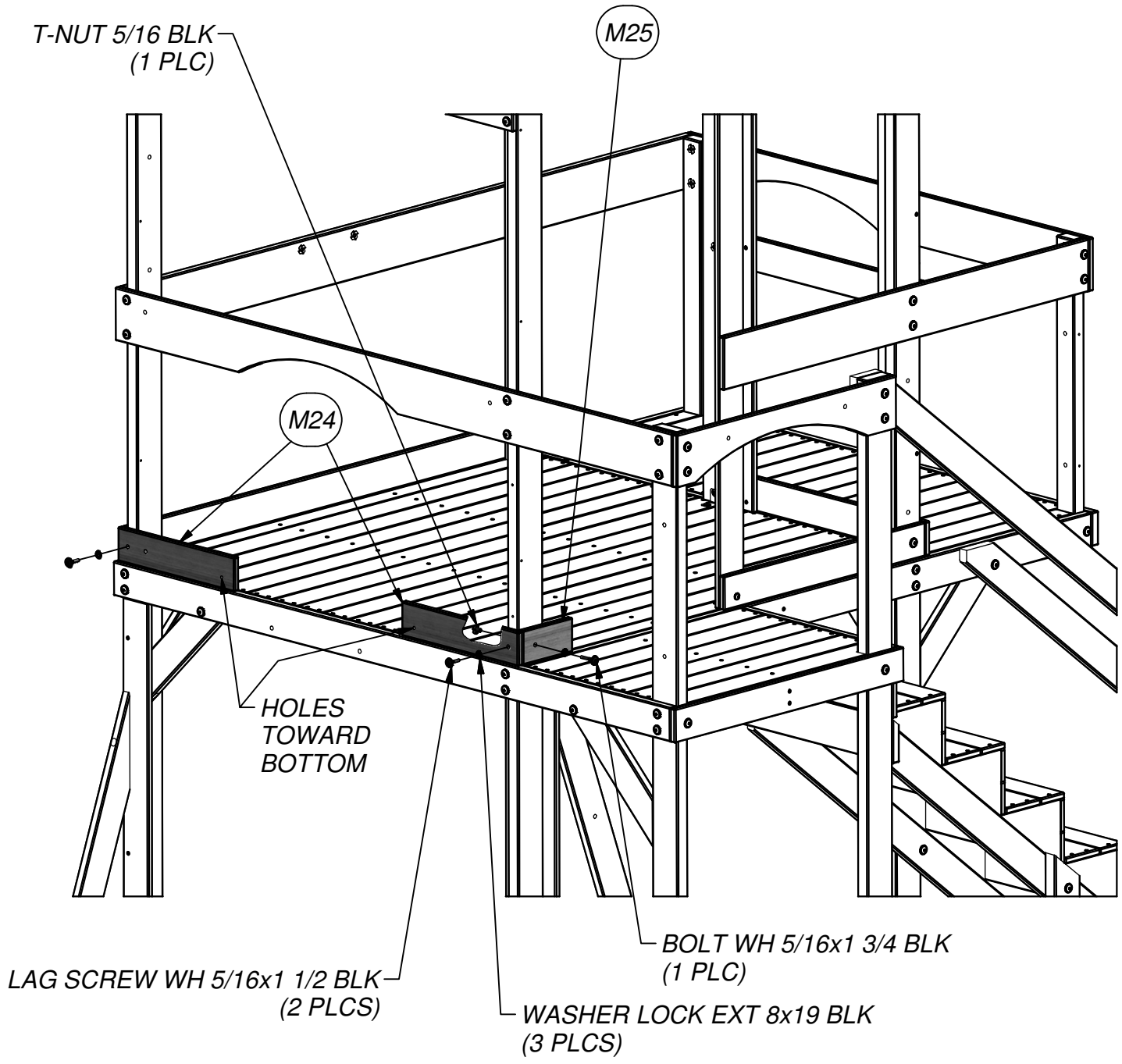
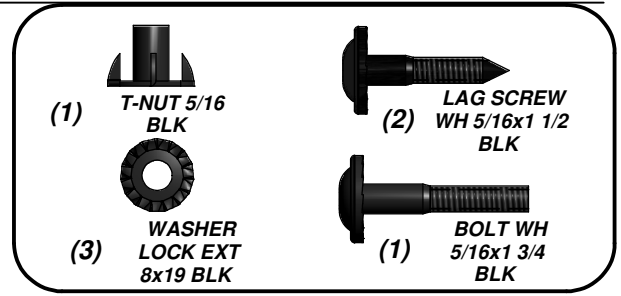
**STEP 49**



(2) **M24 - WALL RAIL - W4L06107**  
 5/8"x3 3/8"x15 5/8" (16x86x398)

(1) **M25 - WALL RAIL - W4L06098**  
 5/8"x3 3/8"x6 3/4" (16x86x172)

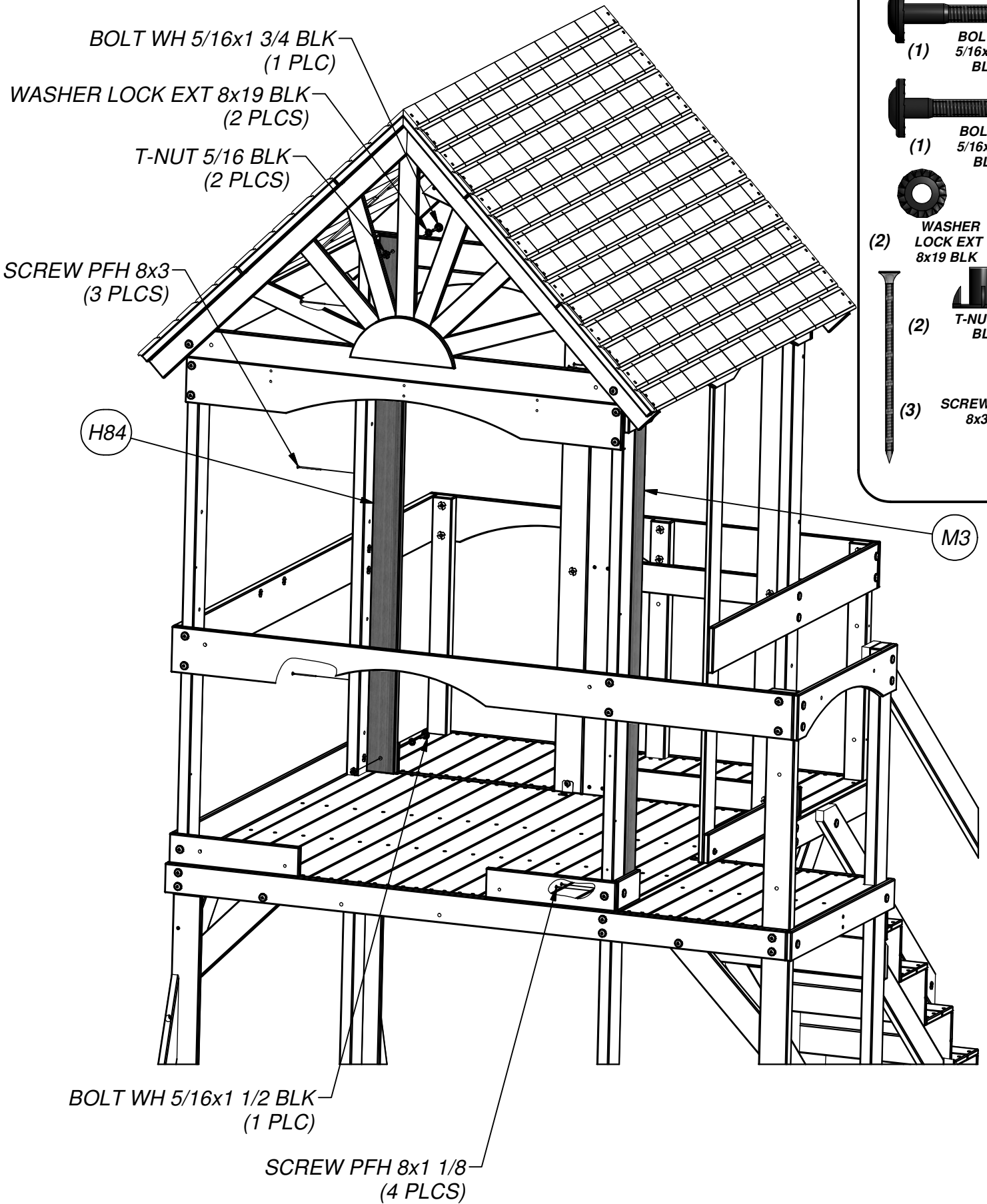
**STEP 50**



(1) H84 - WALL BOARD - W4L06183  
1"x3 3/8"x61 1/4" (24x86x1557)

(1) M3 - WALL BOARD - W4L06099  
5/8"x3 3/8"x61 1/4" (16x86x1557)

### STEP 51

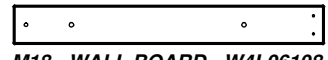




(2) - 90° L-BRACKET - BLK - A4M00555

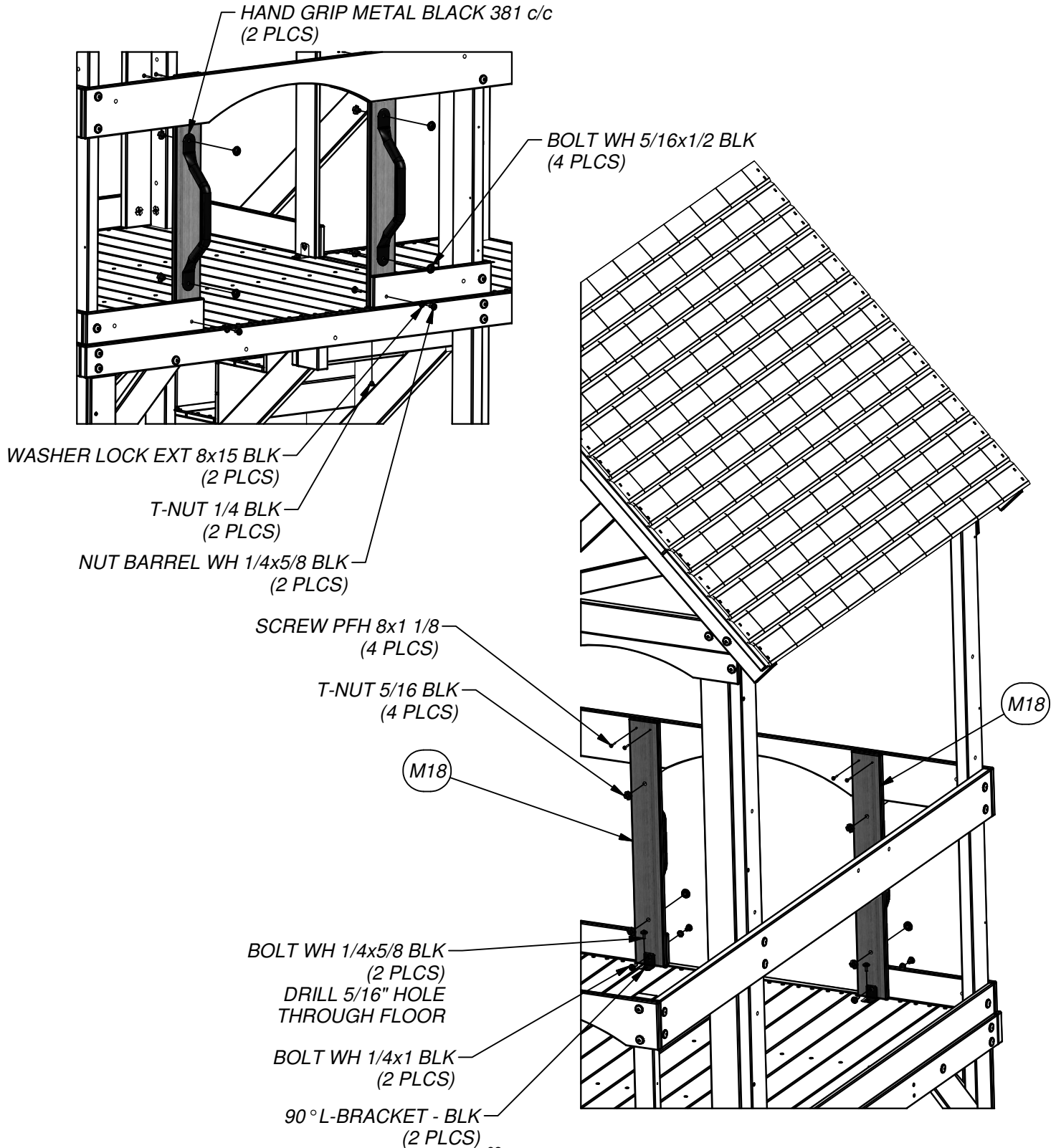
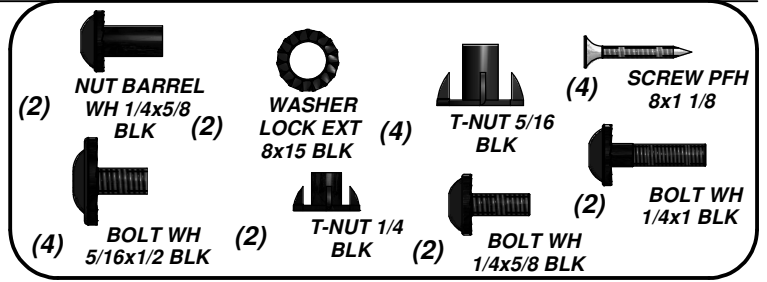


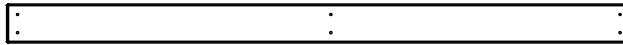
(2) - HAND GRIP METAL BLACK 381 c/c - A4M00613



(2) M18 - WALL BOARD - W4L06108  
5/8"x3 3/8"x27" (16x86x686)

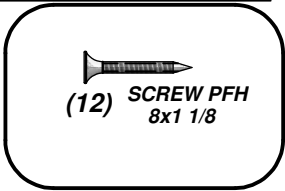
### STEP 52



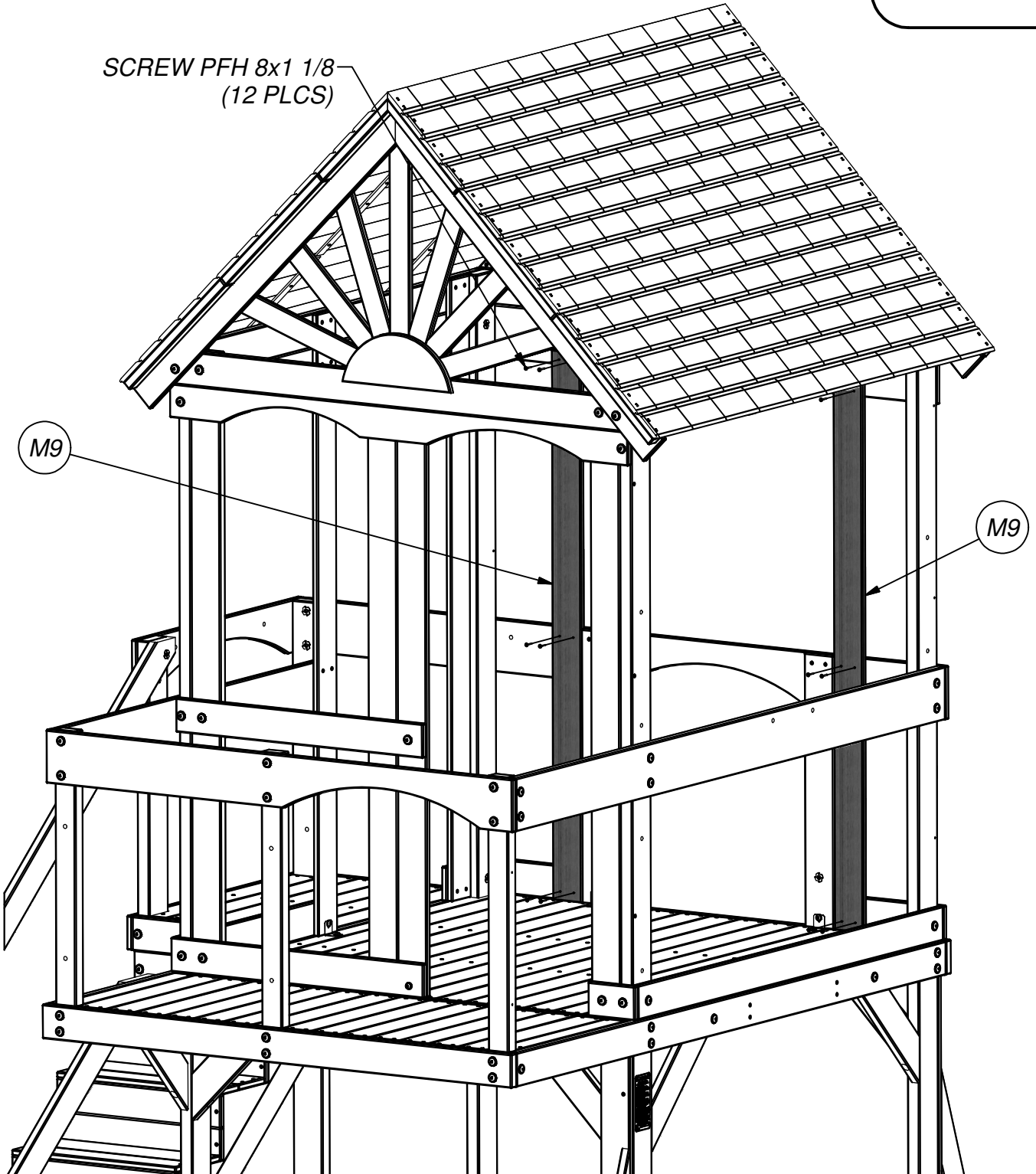


(2) **M9 - WALL BOARD - W4L06148**  
5/8"x3 3/8"x54 1/4" (16x86x1377)

**STEP 53**

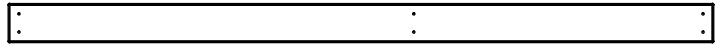


SCREW PFH 8x1 1/8  
(12 PLCS)



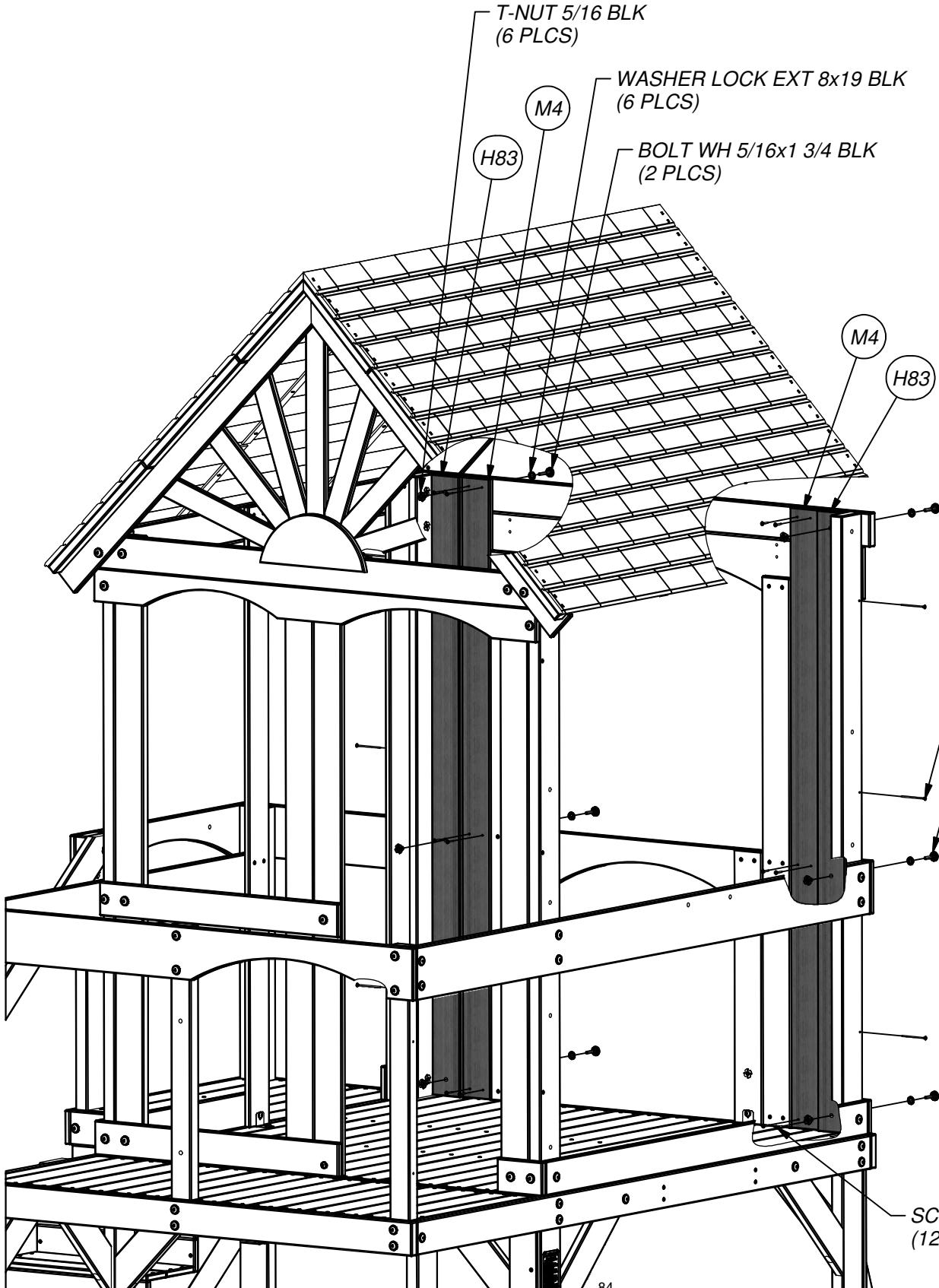


(2) H83 - WALL BOARD - W4L06182  
1"x3 3/8"x61 1/4" (24x86x1557)



(2) M4 - WALL BOARD - W4L06109  
5/8"x3 3/8"x61 1/4" (16x86x1557)

### STEP 54



- (12) SCREW PFH 8x1 1/8
- (2) BOLT WH 5/16x1 3/4 BLK
- (4) BOLT WH 5/16x1 1/2 BLK
- (6) WASHER LOCK EXT 8x19 BLK
- (6) T-NUT 5/16 BLK
- (6) SCREW PFH 8x3

SCREW PFH 8x3 (6 PLCS)

BOLT WH 5/16x1 1/2 BLK (4 PLCS)

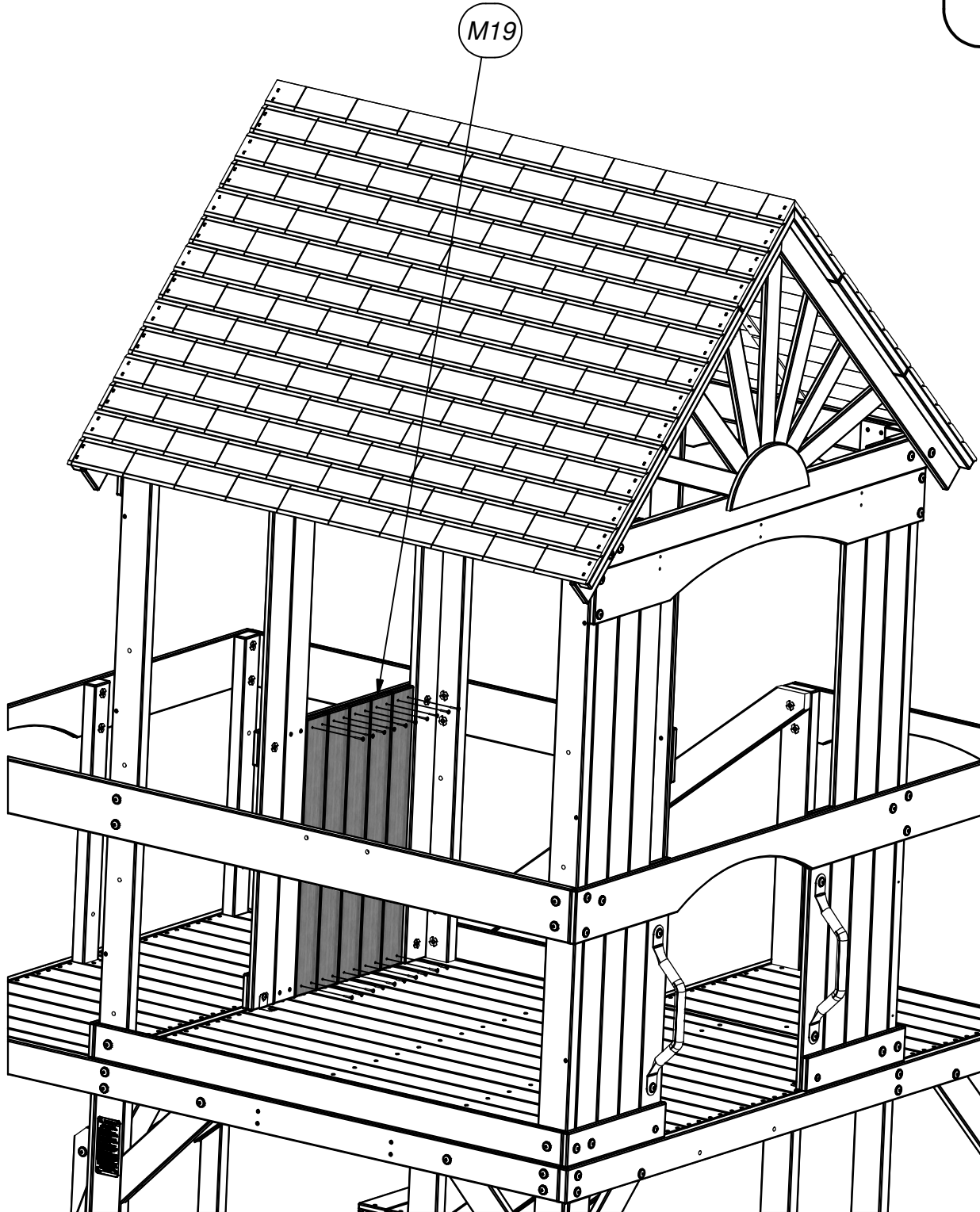
SCREW PFH 8x1 1/8 (12 PLCS)

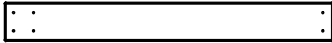


- (5) M19 - WALL BOARD - W4L06096  
5/8"x3 3/8"x27" (16x86x686)

**STEP 55**

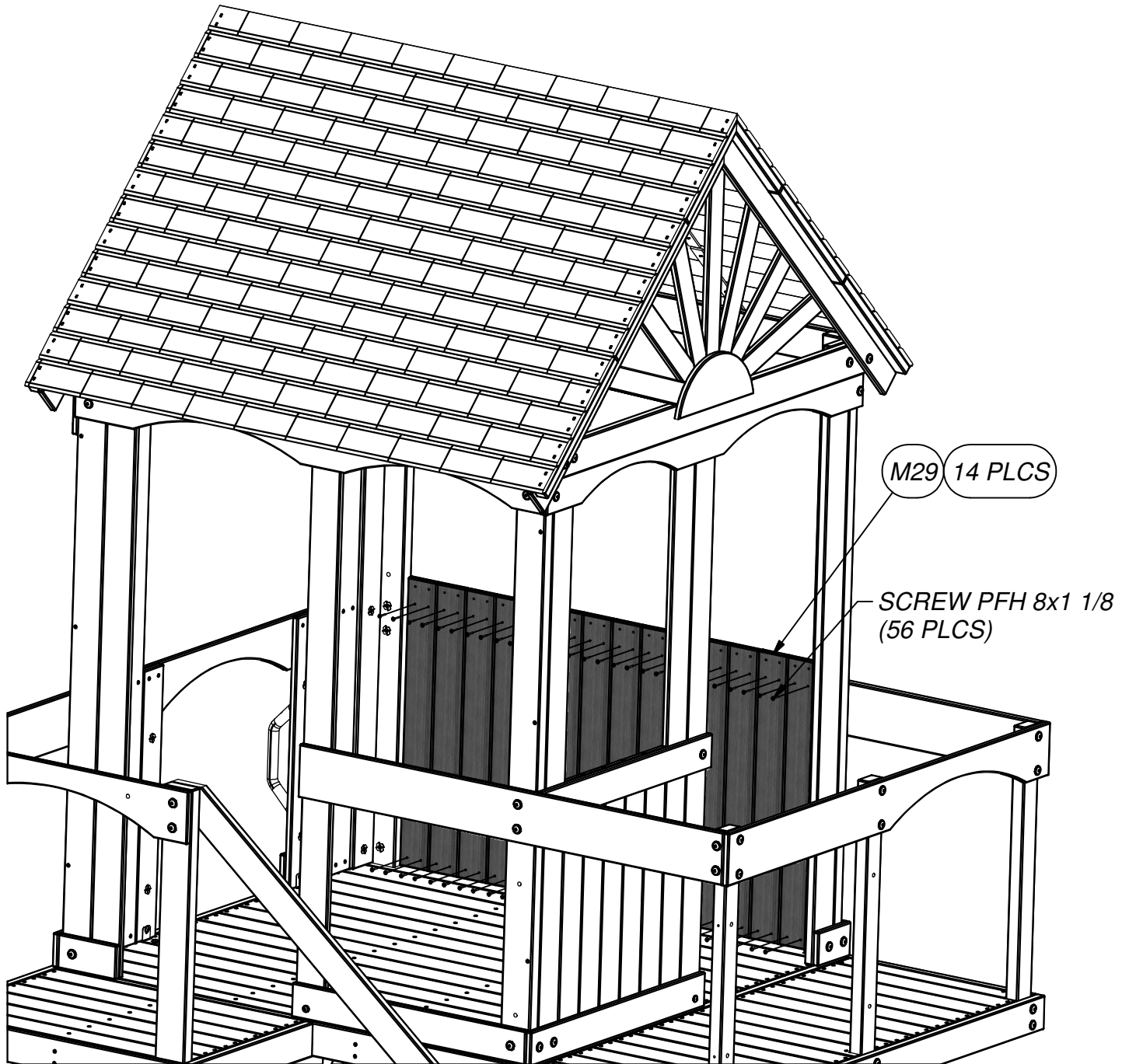
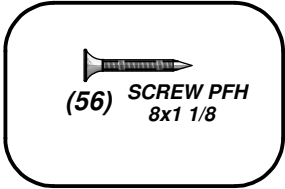
  
(20) SCREW PFH  
8x1 1/8





(14) M29 - WALL BOARD - W4L06181  
5/8"x3 3/8"x28 5/8" (16x86x726)

**STEP 56**

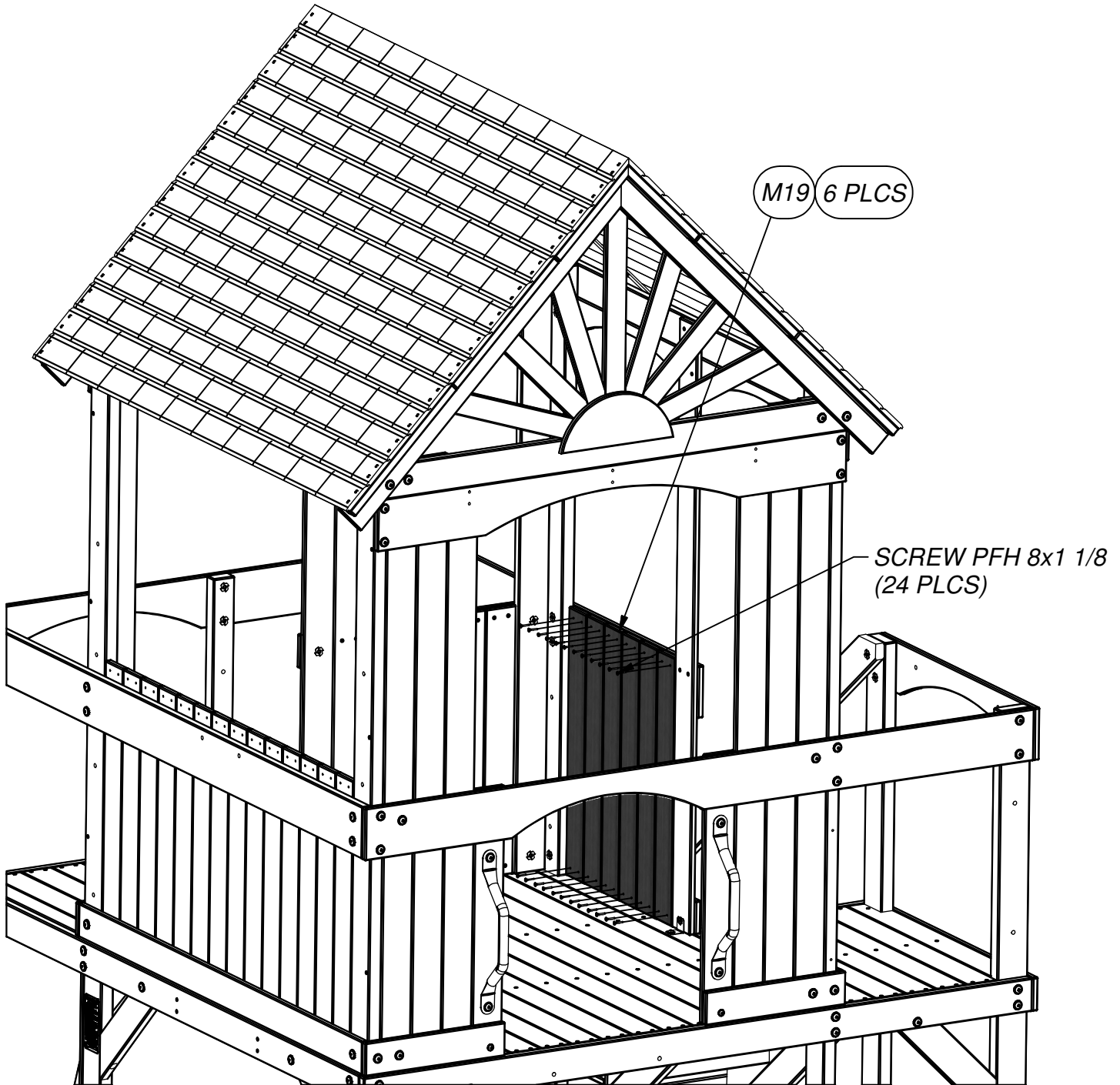


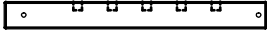


(6) M19 - WALL BOARD - W4L06096  
5/8"x3 3/8"x27" (16x86x686)

**STEP 57**

  
**(24) SCREW PFH**  
8x1 1/8





(1) **J7 - WALL RAIL - W4L06050**  
1"x2 3/8"x22 3/4" (24x60x579)

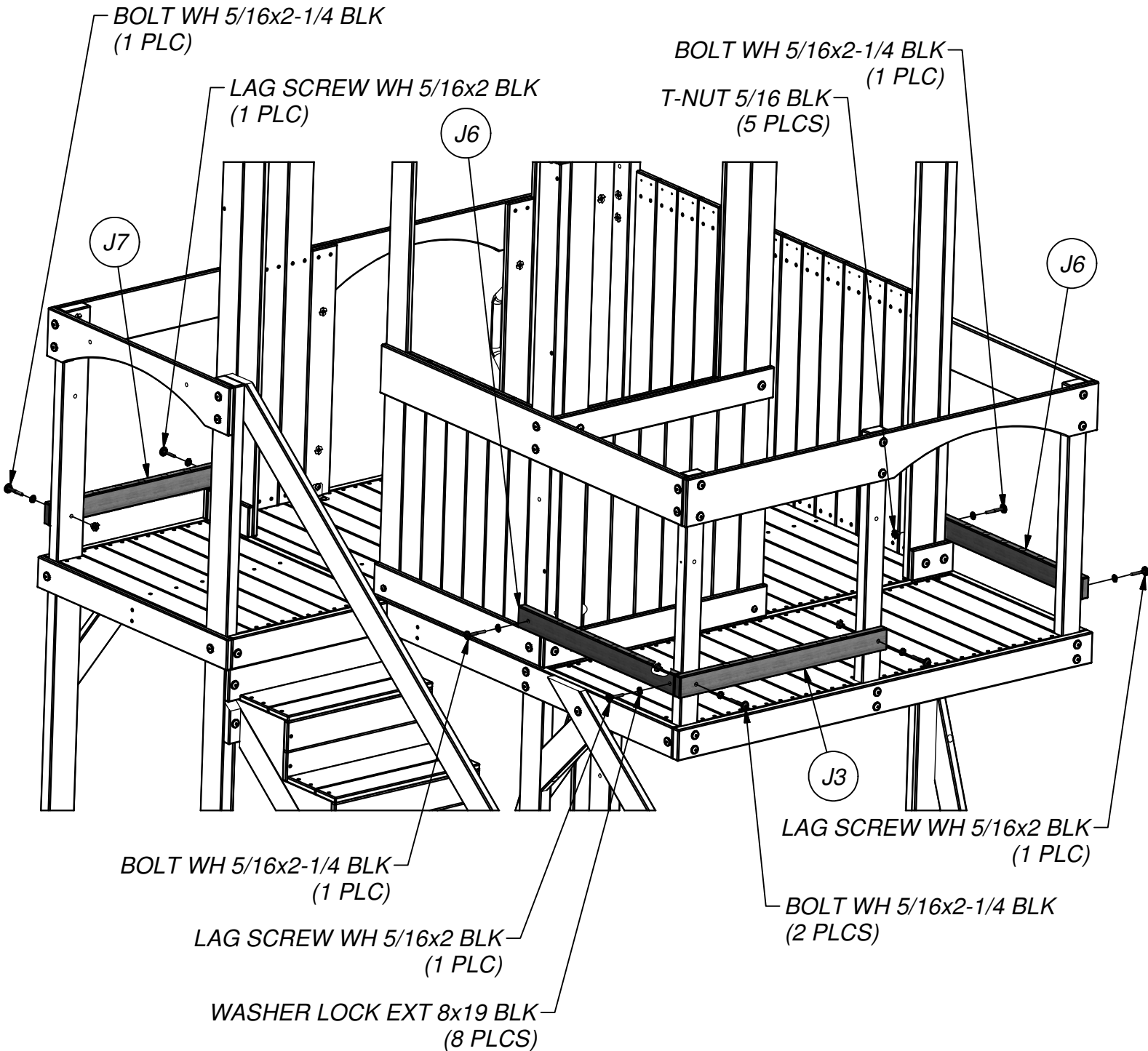
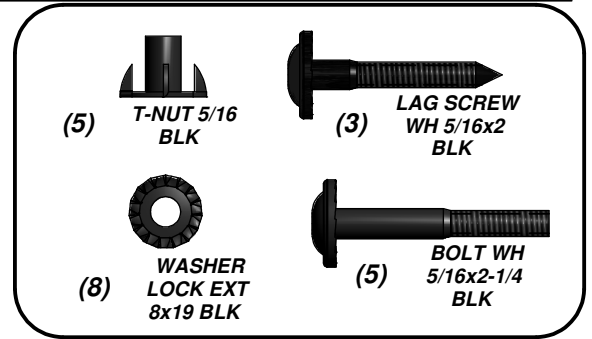


(2) **J6 - WALL RAIL - W4L06089**  
1"x2 3/8"x25 5/8" (24x60x650)



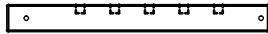
(1) **J3 - WALL RAIL - W4L06092**  
1"x2 3/8"x27 1/4" (24x60x691)

### STEP 58

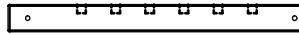


STEP 59

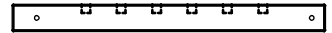




(1) **J7 - WALL RAIL - W4L06050**  
1"x2 3/8"x22 3/4" (24x60x579)

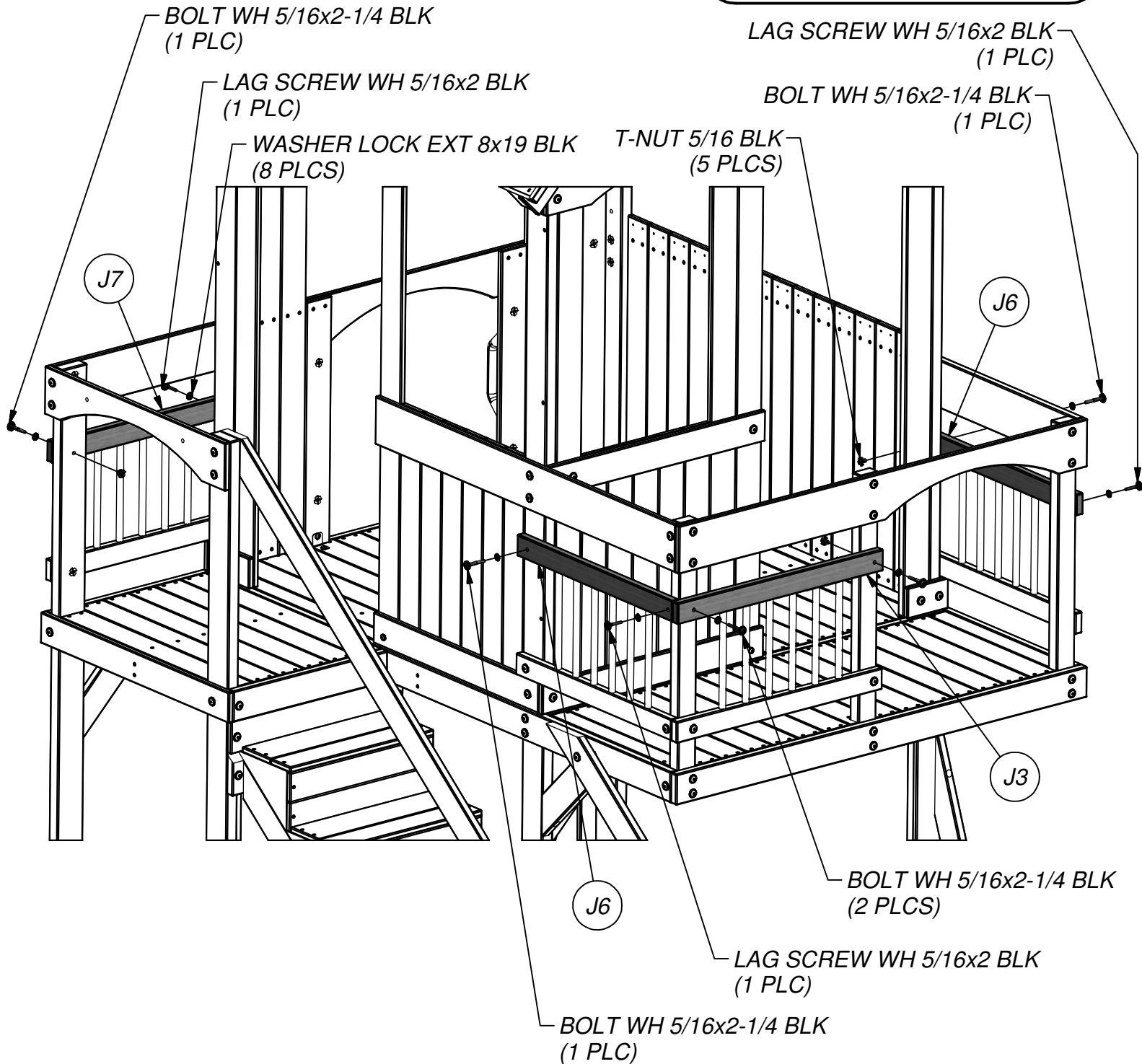
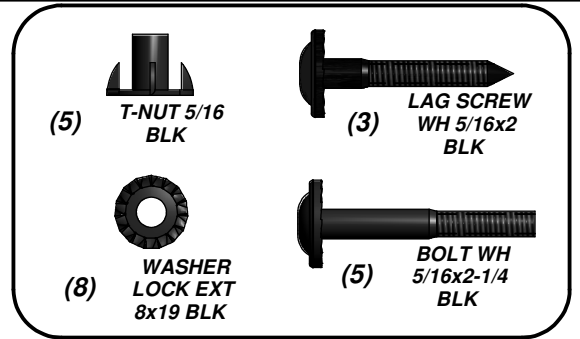


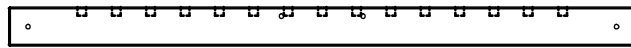
(2) **J6 - WALL RAIL - W4L06089**  
1"x2 3/8"x25 5/8" (24x60x650)



(1) **J3 - WALL RAIL - W4L06092**  
1"x2 3/8"x27 1/4" (24x60x691)

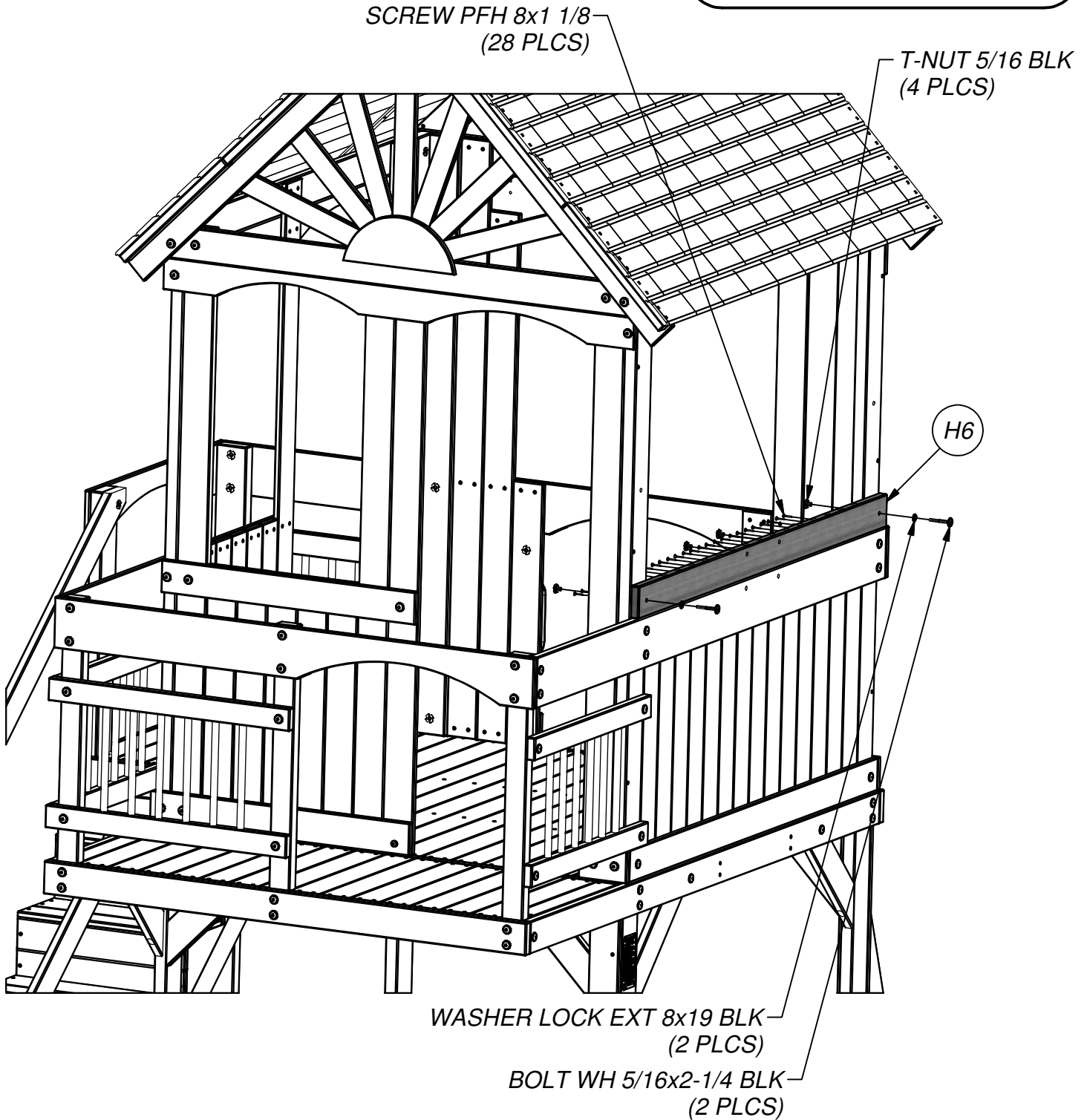
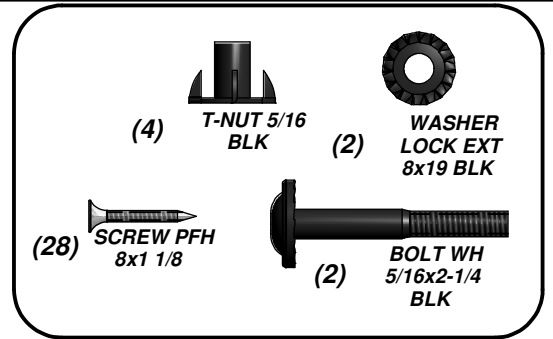
**STEP 60**





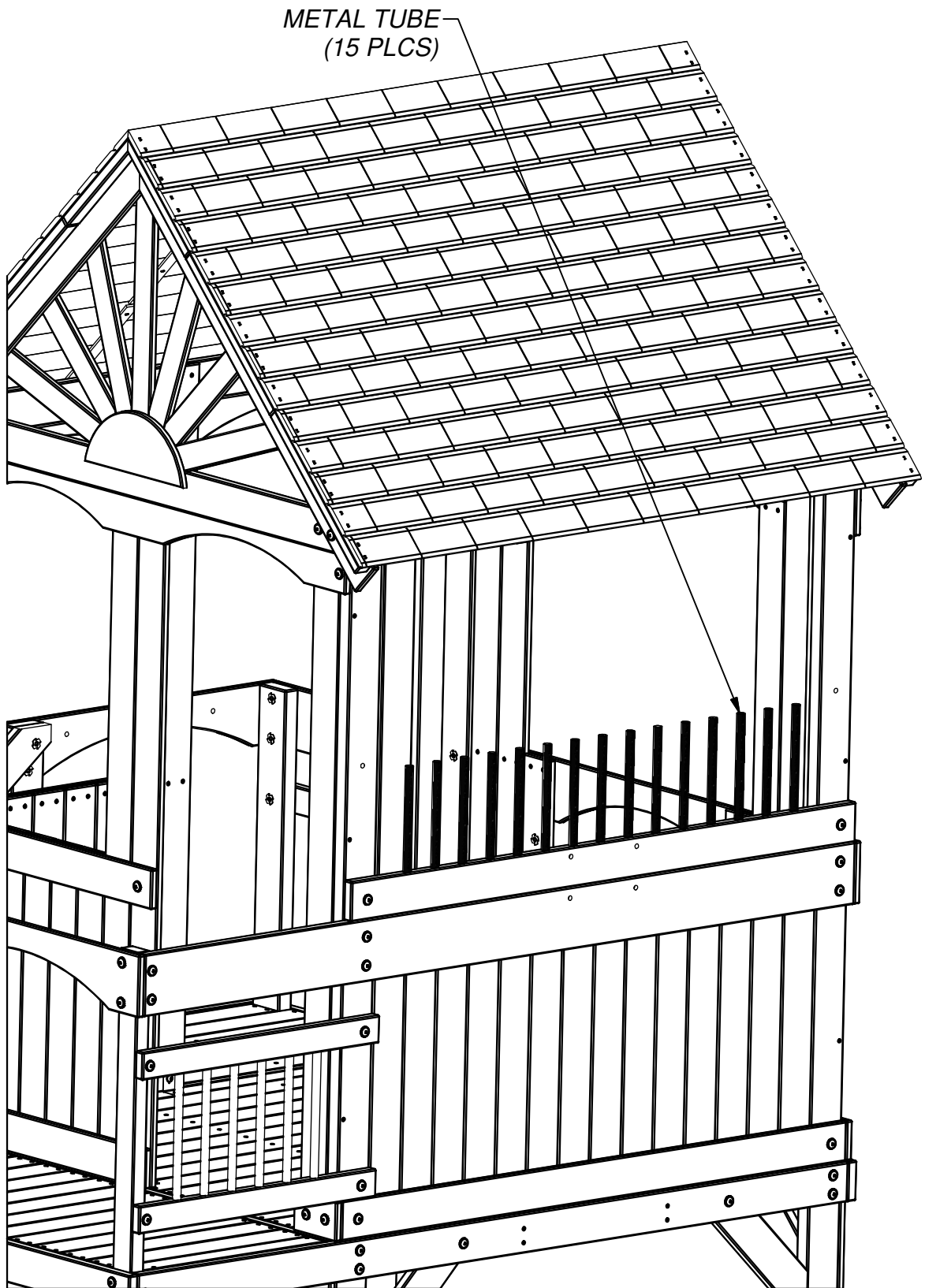
(1) H6 - WALL RAIL - W4L06088  
1"x3 3/8"x54 1/2" (24x86x1384)

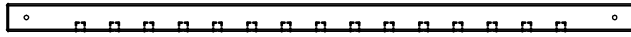
**STEP 61**



(15) - METAL TUBE - A4M00620

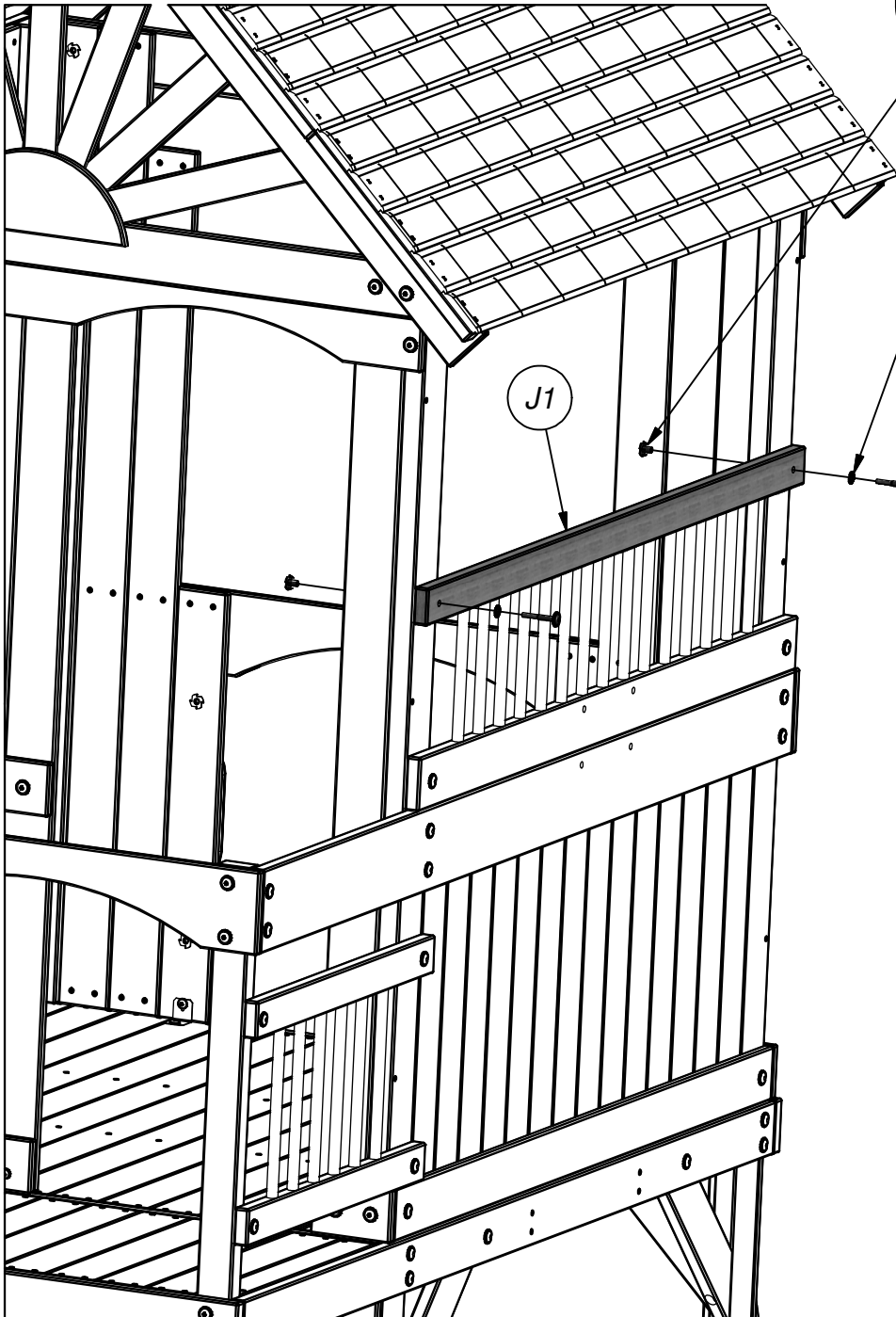
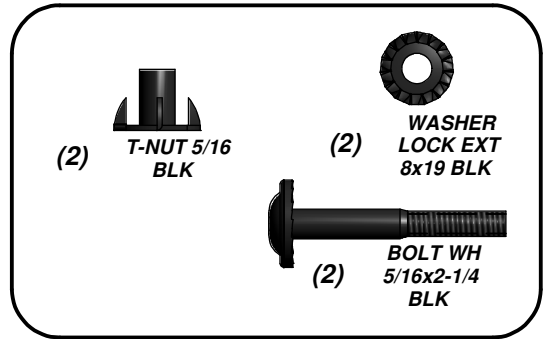
STEP 62





(1) **J1 - WALL RAIL - W4L06104**  
1"x2 3/8"x54 1/2" (24x60x1384)

**STEP 63**



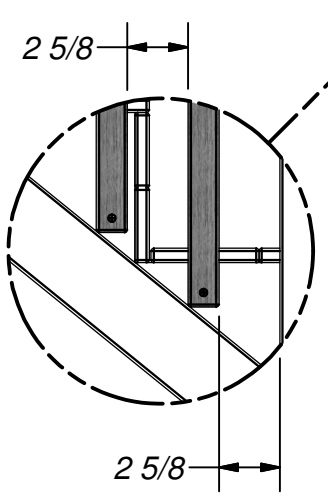
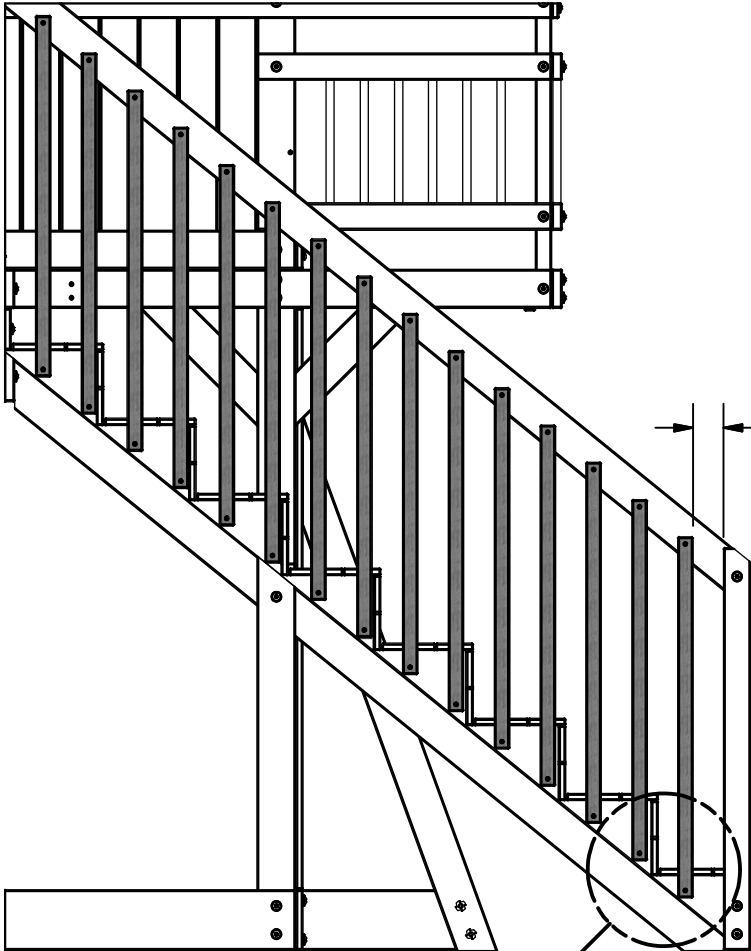
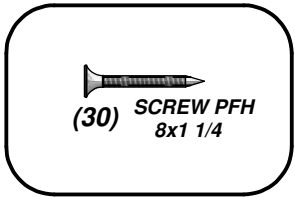
T-NUT 5/16 BLK  
(2 PLCS)

WASHER LOCK EXT 8x19 BLK  
(2 PLCS)

BOLT WH 5/16x2-1/4 BLK  
(2 PLCS)

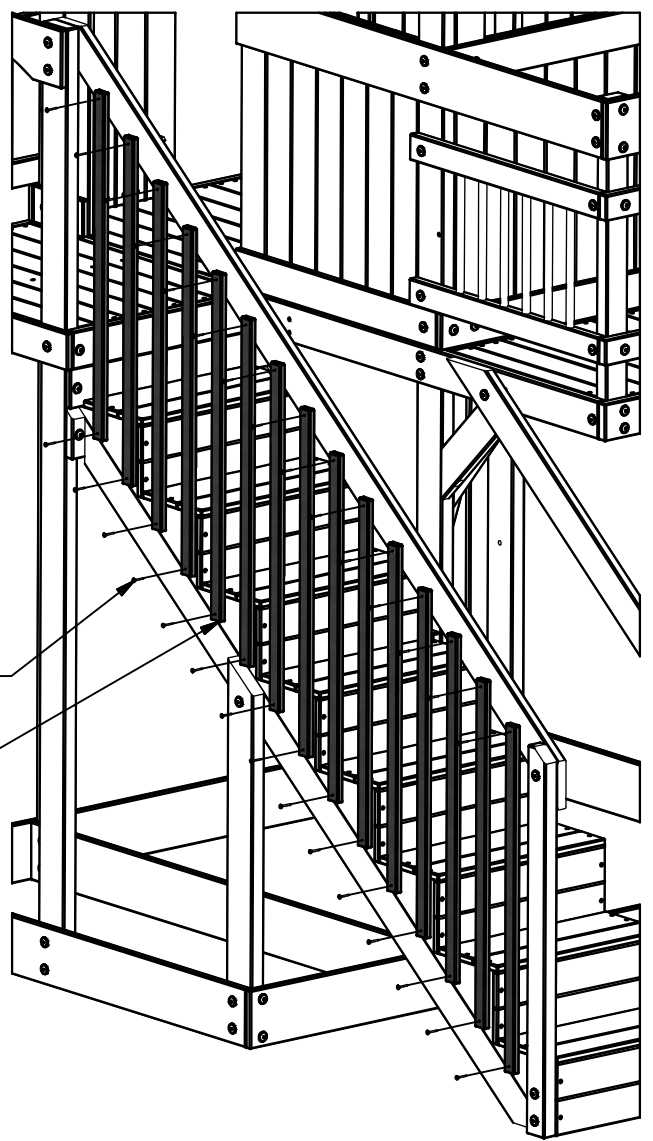
(15) O1 - PICKET - W4L06135  
5/8"x1 3/8"x31 1/4" (16x34x795)

STEP 64



SCREW PFH 8x1 1/4  
(30 PLCS)

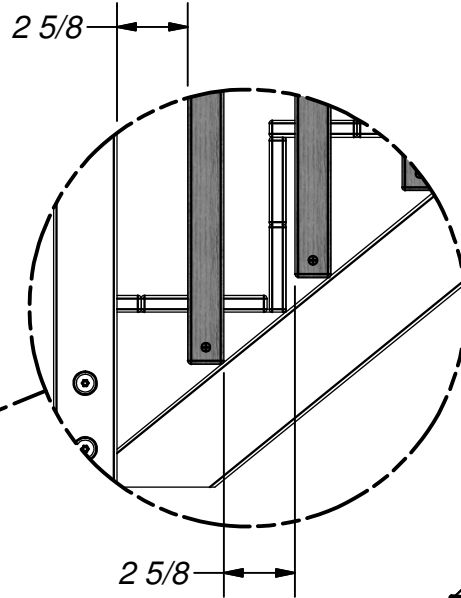
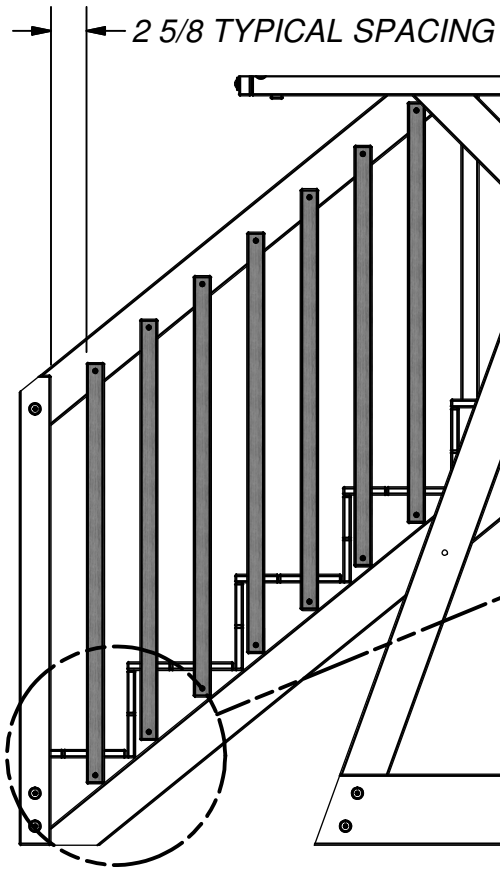
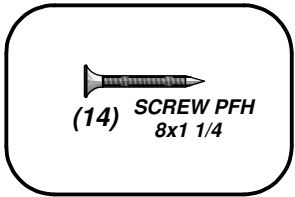
15 PLCS O1



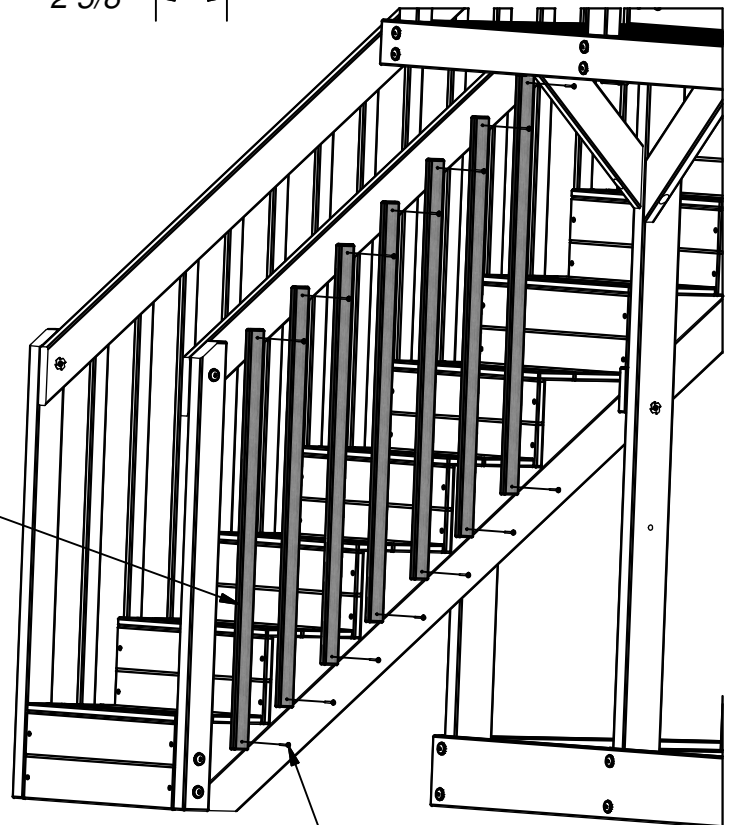


(7) O1 - PICKET - W4L06135  
5/8"x1 3/8"x31 1/4" (16x34x795)

**STEP 65**



7 PLCS O1

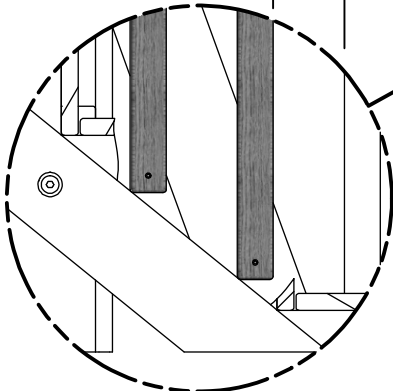
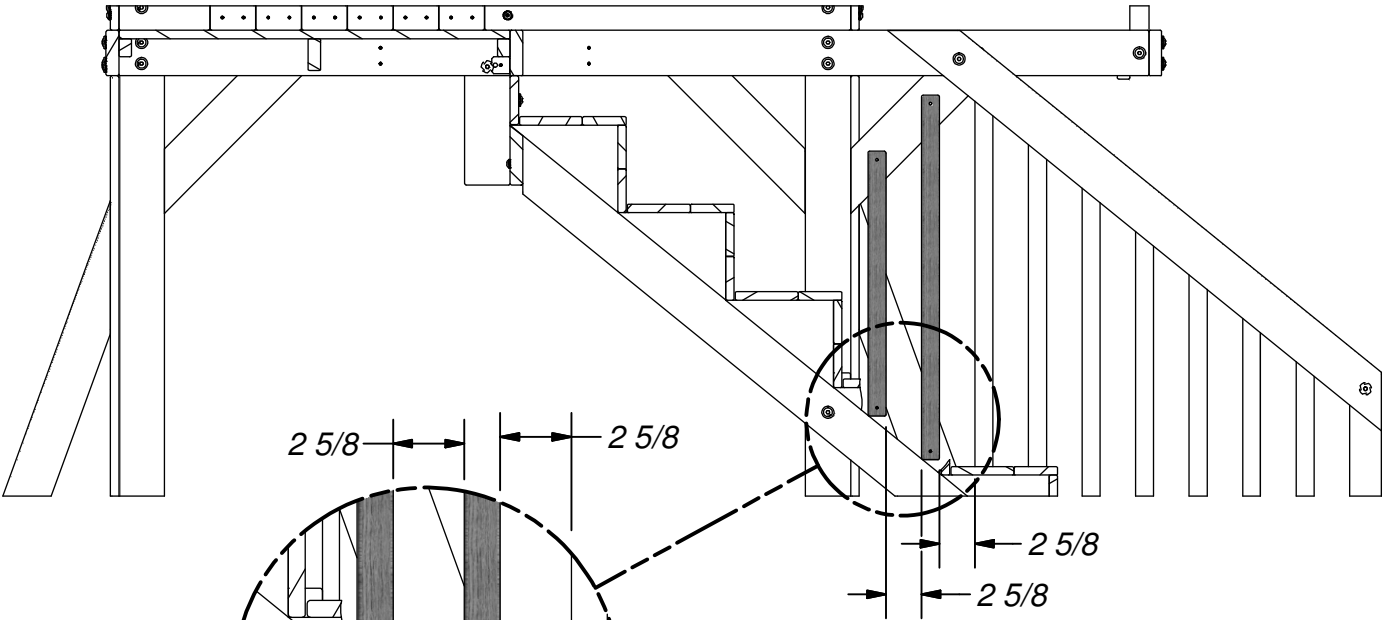


(1) T3 - PICKET - W4L06136  
1"x1 3/8"x27 1/8" (24x34x688)

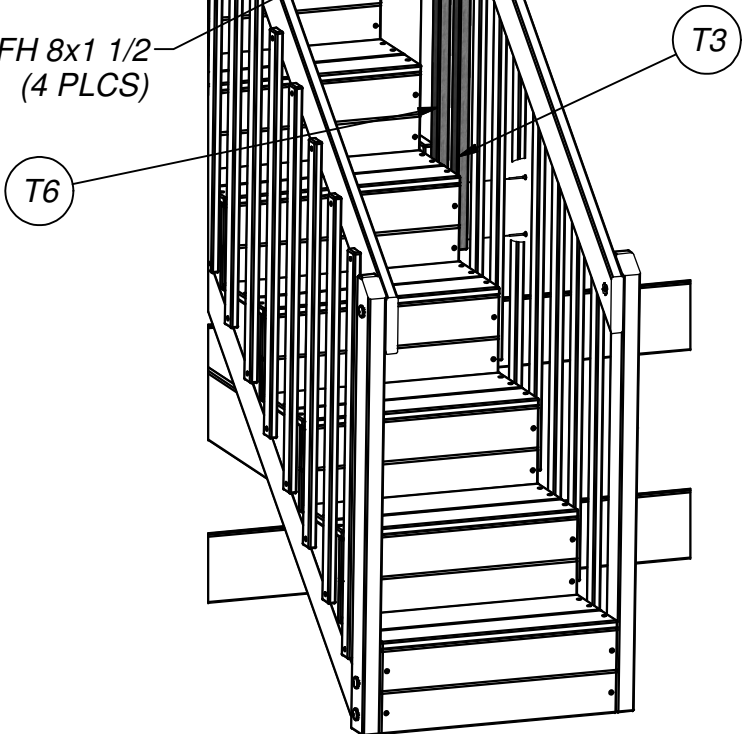
(1) T6 - PICKET - W4L06137  
1"x1 3/8"x19 5/8" (24x34x500)

**STEP 66**

(4) SCREW PFH  
8x1 1/2



SCREW PFH 8x1 1/2  
(4 PLCS)



(1) **T7 - PICKET - W4L06138**  
 1"x1 3/8"x18 3/8" (24x34x468)

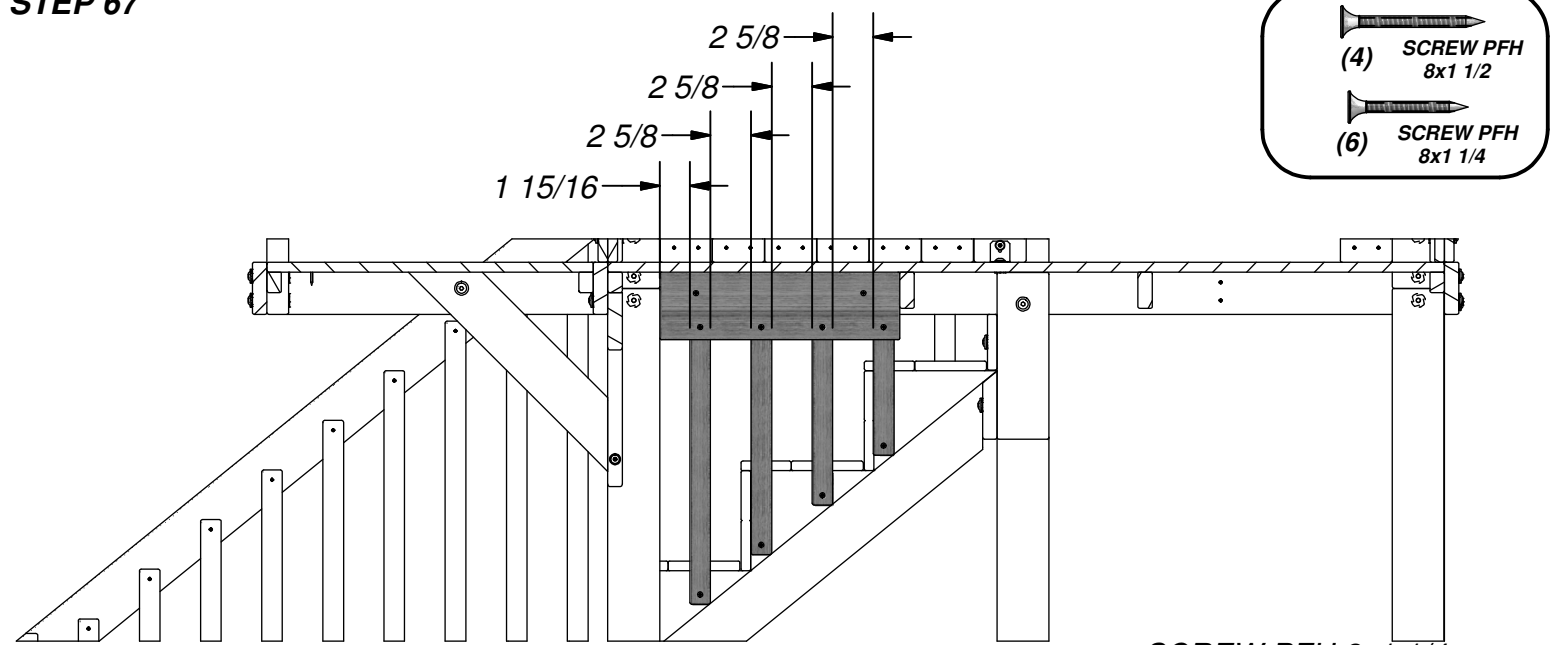
(1) **T9 - PICKET - W4L06139**  
 1"x1 3/8"x15 1/4" (24x34x386)

(1) **T11 - PICKET - W4L06141**  
 1"x1 3/8"x8 3/4" (24x34x222)

(1) **L2 - SUPPORT BOARD - W4L06142**  
 5/8"x4 3/8"x15 5/8" (16x112x397)

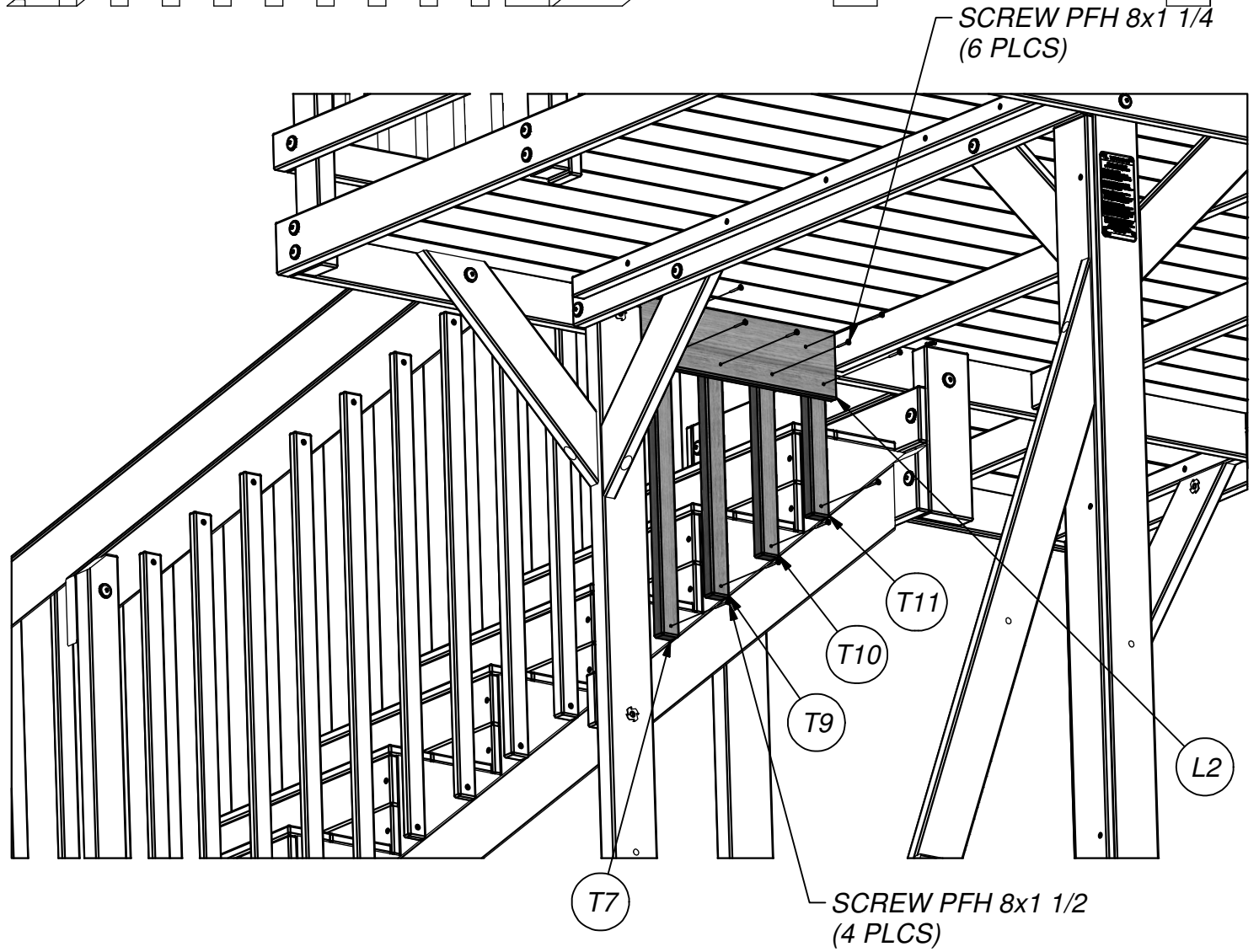
(1) **T10 - PICKET - W4L06140**  
 1"x1 3/8"x12" (24x34x304)

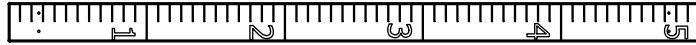
**STEP 67**



(4) **SCREW PFH 8x1 1/2**

(6) **SCREW PFH 8x1 1/4**

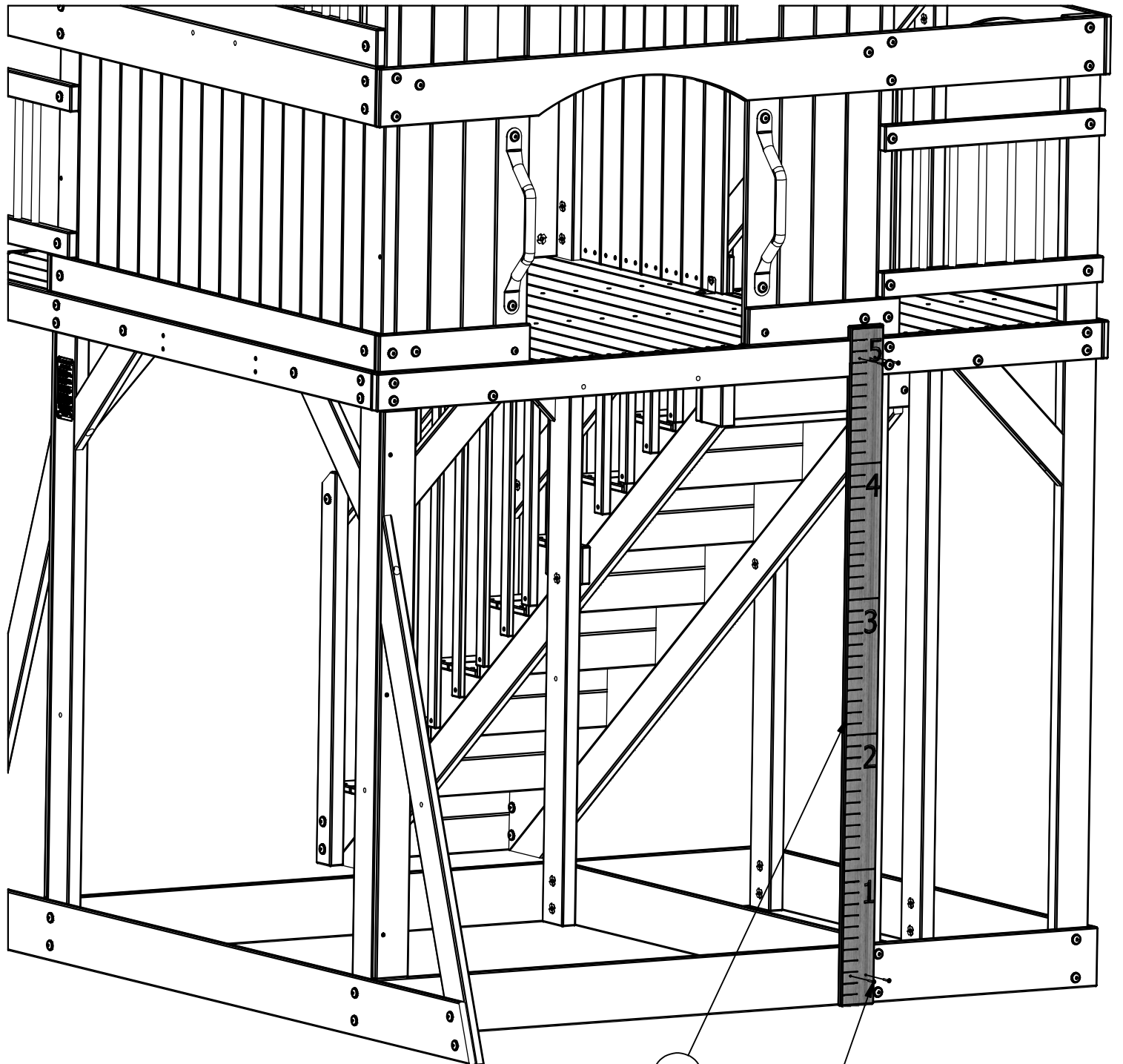




(1) **M1 - GROWTH BOARD - W4L06143**  
5/8"x3 3/8"x60 1/4" (16x86x1530)

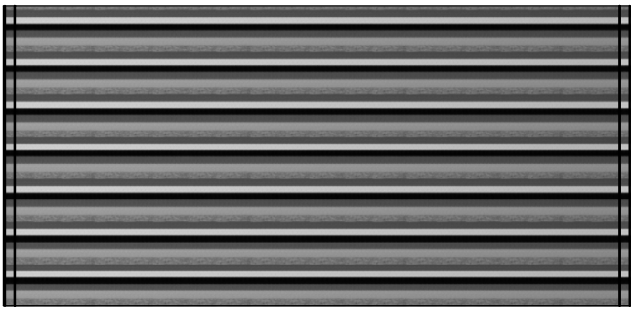
**STEP 68**

(4) **SCREW PFH**  
8x1 1/8

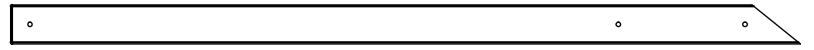


M1

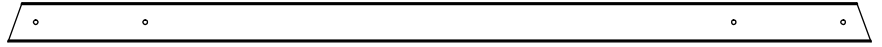
SCREW PFH 8x1 1/8  
(4 PLCS)



(1) - HAMMOCK - A6P00066

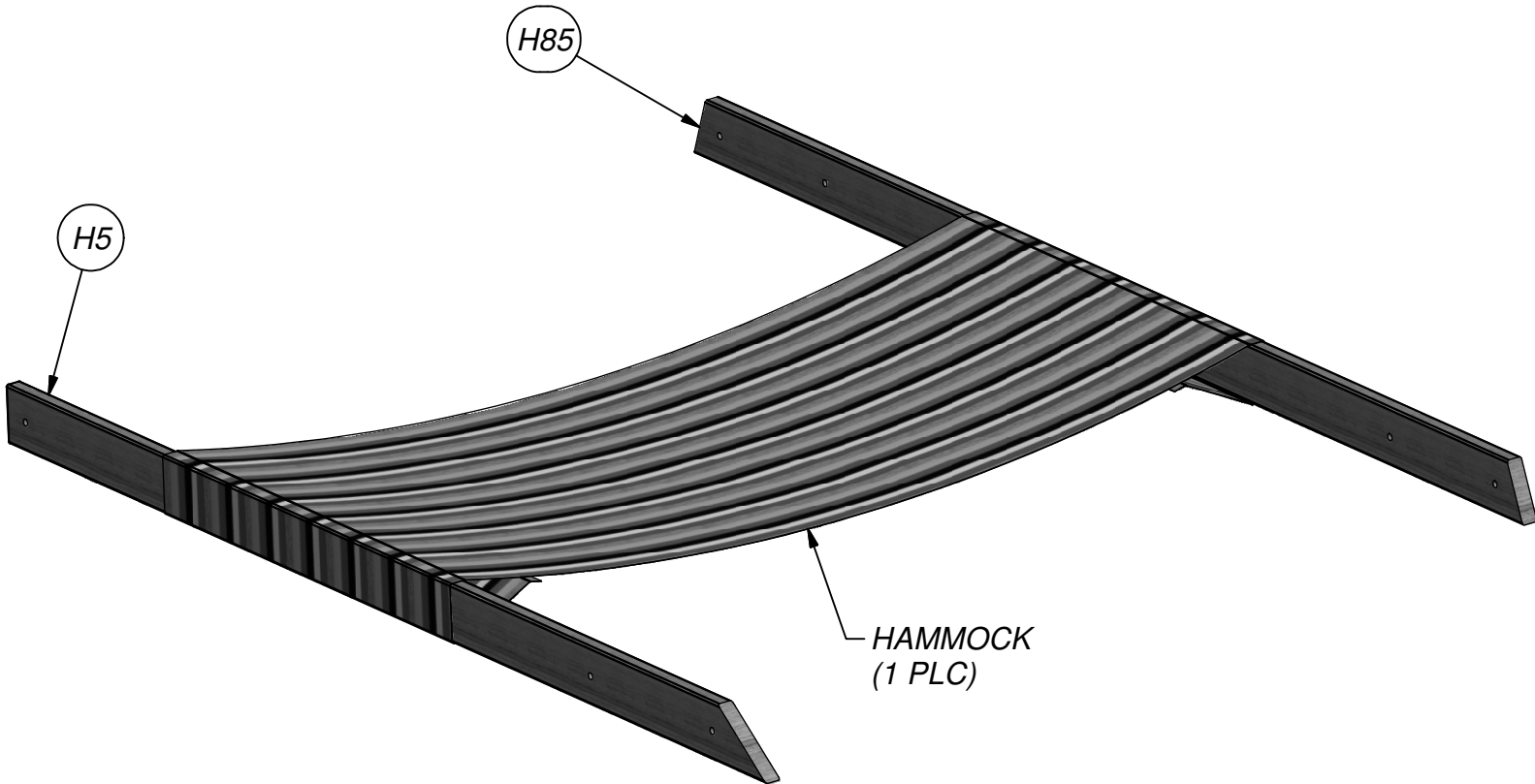


(1) H5 - SAFETY RAIL - W4L06059  
1"x3 3/8"x68 5/8" (24x86x1742)



(1) H85 - SAFETY RAIL - W4L06184  
1"x3 3/8"x75" (24x86x1904)

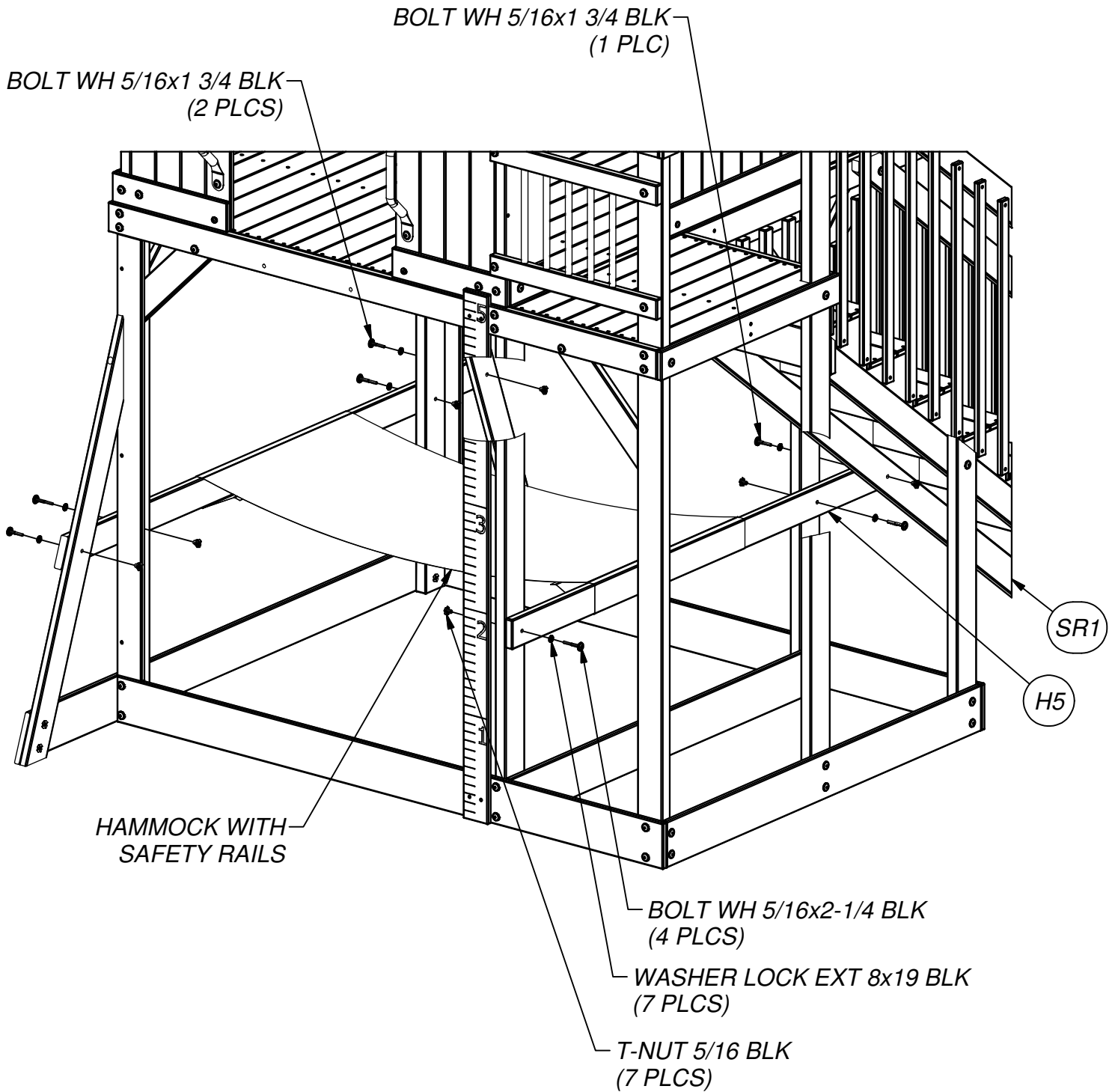
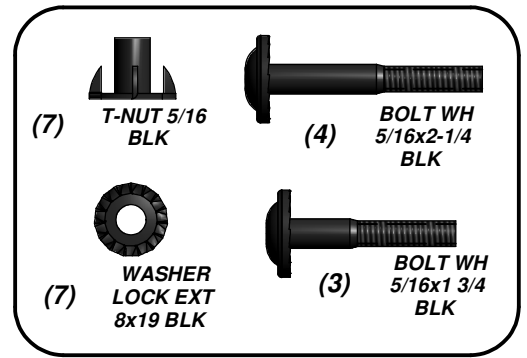
**STEP 69**



**STEP 70**

**NOTE:**

**BACKYARD DISCOVERY RECOMMENDS NO MORE THAN 150 POUNDS ON THE HAMMOCK.**



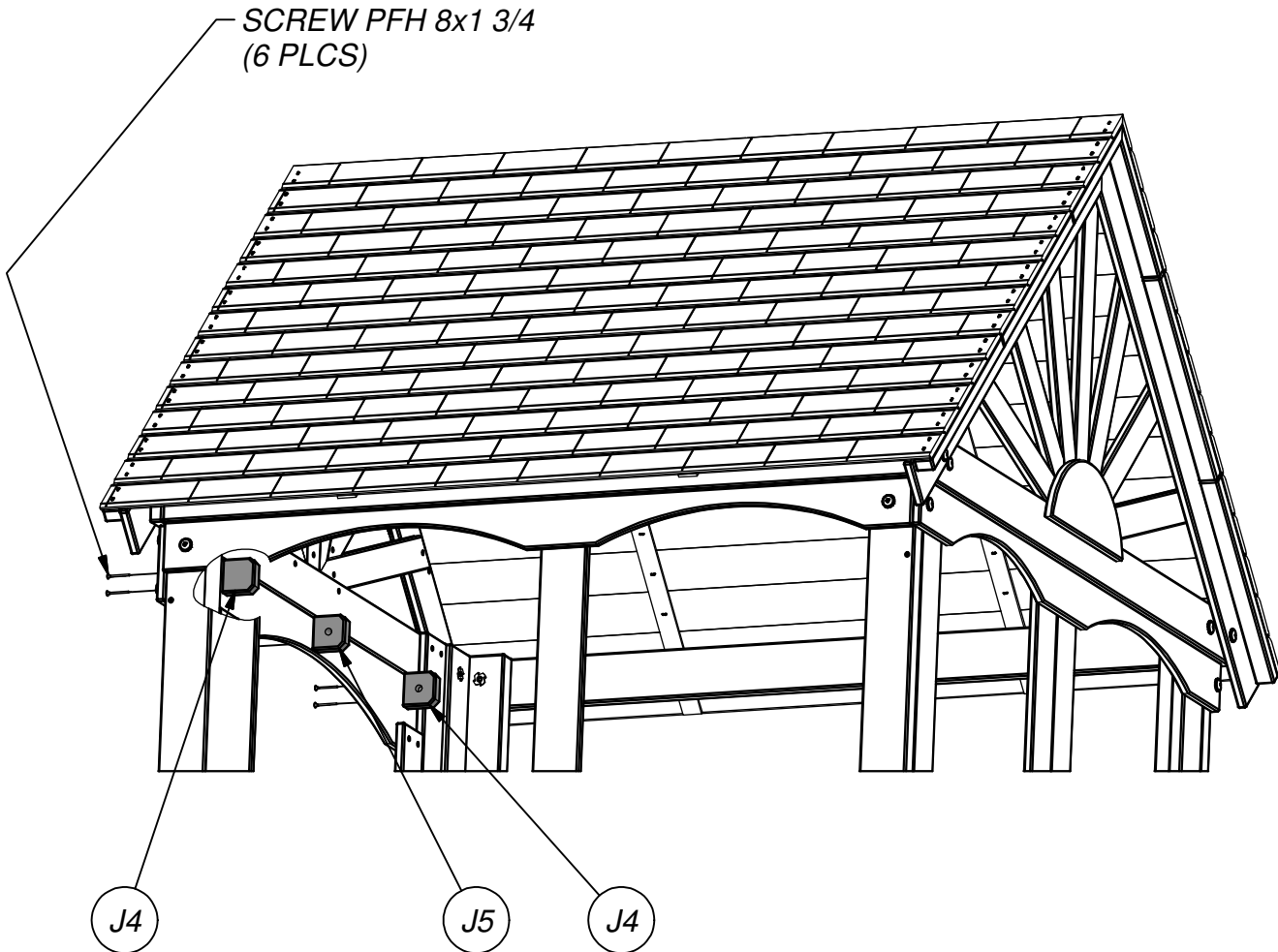
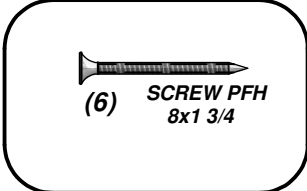


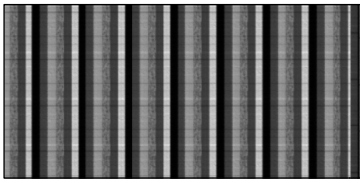
(2) **J4 - OUTER CURTAIN ROD HOLDER - W4L05293**  
 1"x2 3/8"x2 3/8" (24x60x60)



(1) **J5 - INNER CURTAIN ROD HOLDER - W4L05294**  
 1"x2 3/8"x2 3/8" (24x60x60)

**STEP 71**

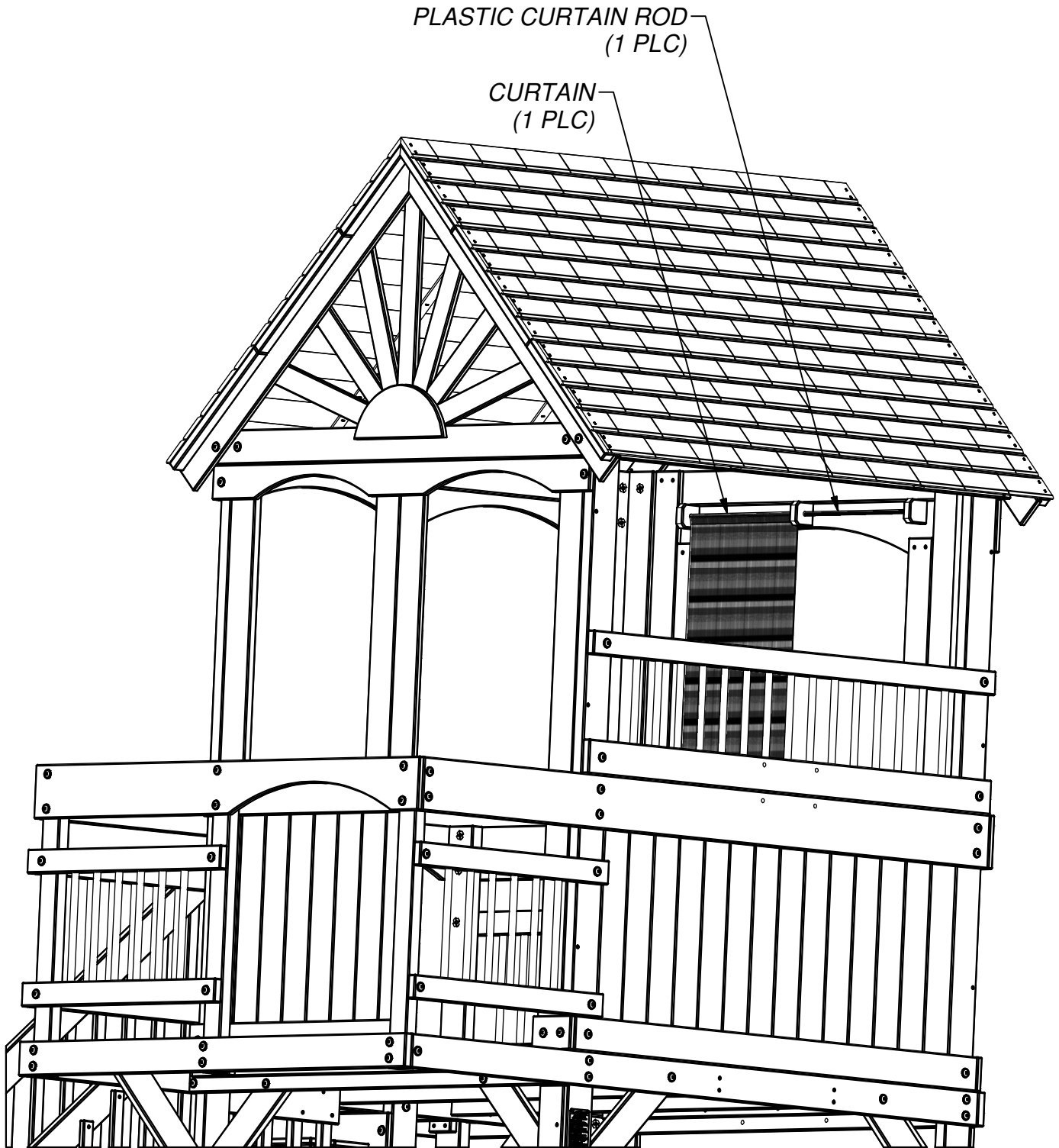


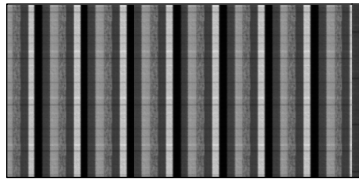


(1) - CURTAIN - A6P00089

(1) - PLASTIC CURTAIN ROD - A6P00090

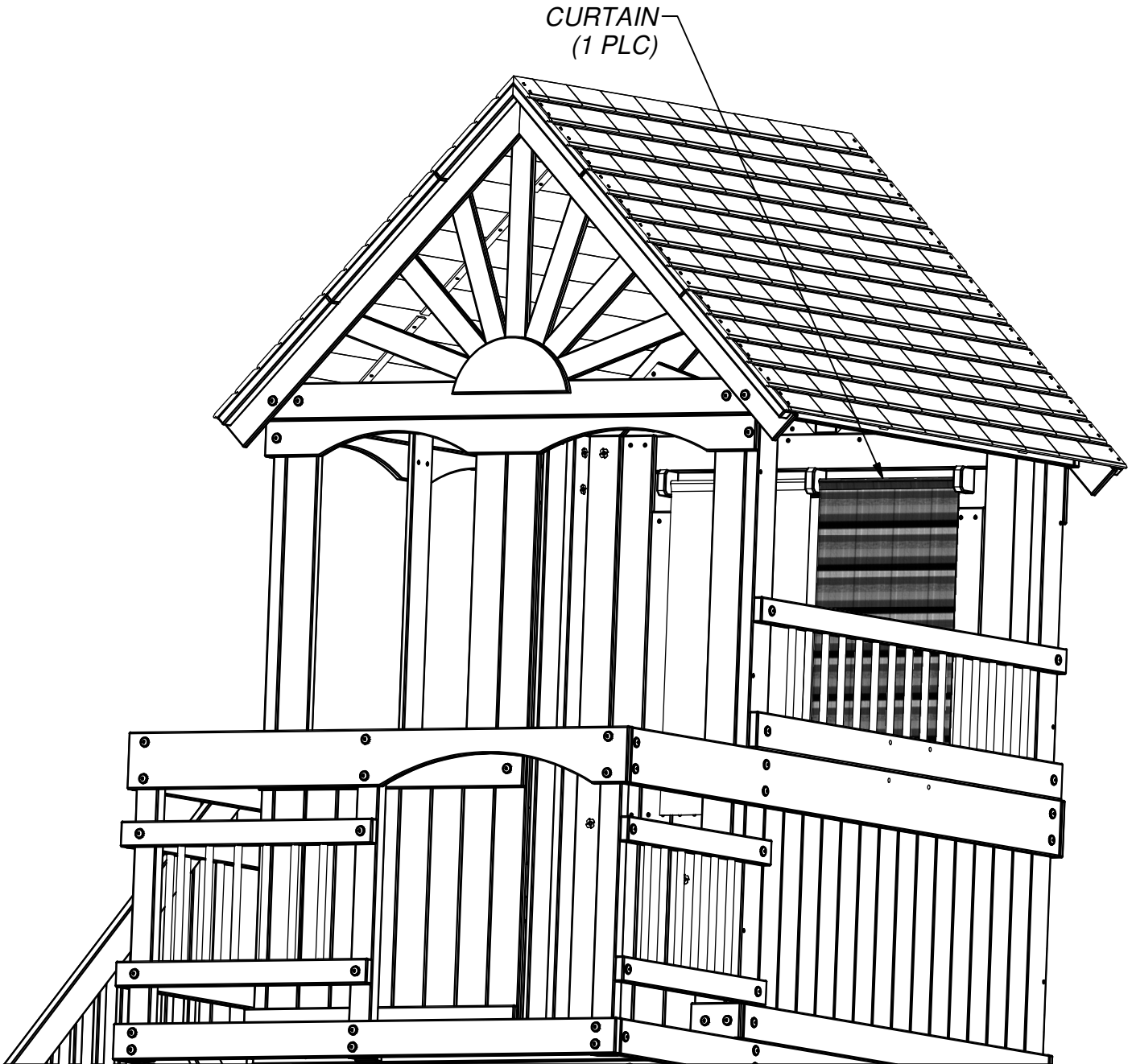
**STEP 72**

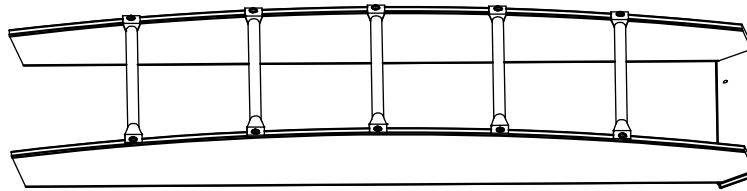




(1) - CURTAIN - A6P00089

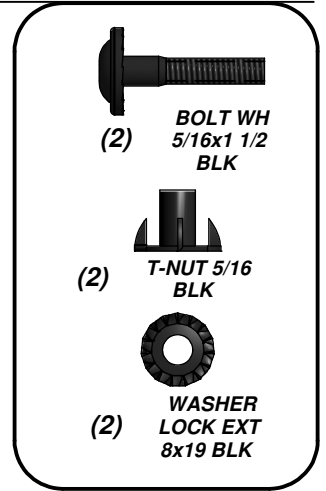
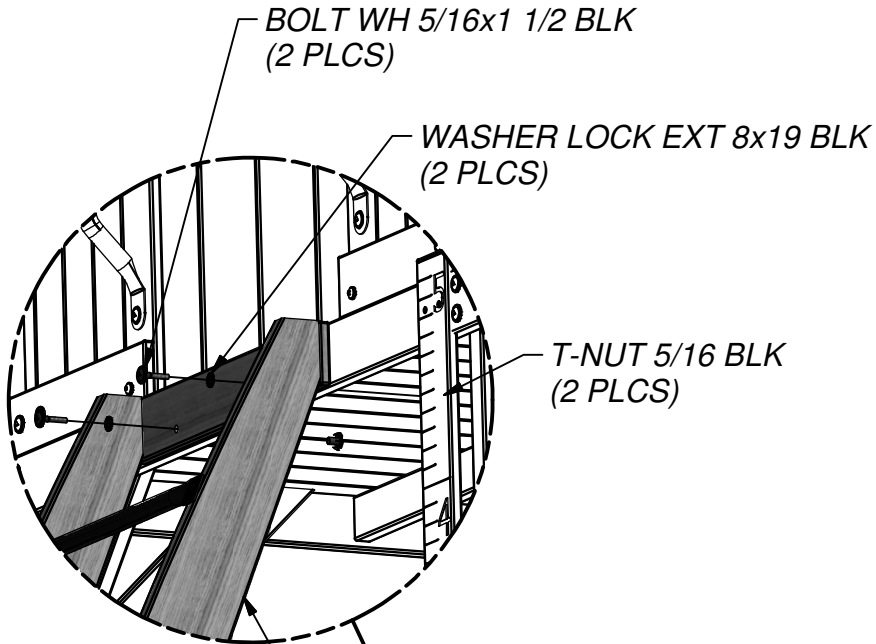
**STEP 73**





LADDER ASSEMBLY

**FINAL ASSEMBLY  
STEP 1**



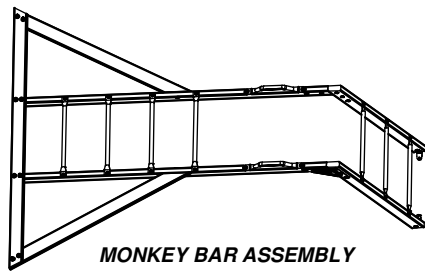
**(2) BOLT WH  
5/16x1 1/2  
BLK**

**(2) T-NUT 5/16  
BLK**

**(2) WASHER  
LOCK EXT  
8x19 BLK**

LADDER ASSEMBLY





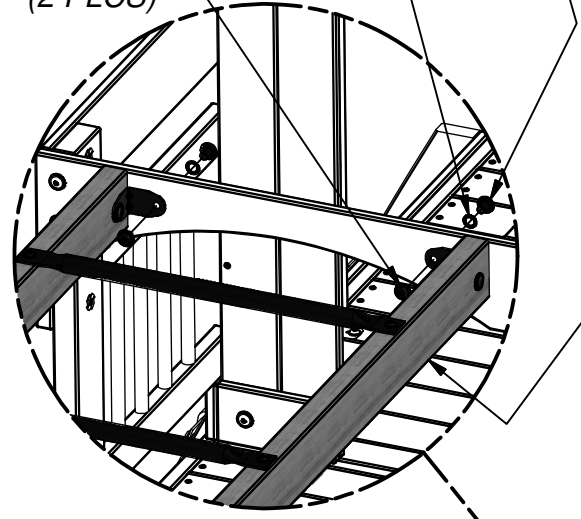
MONKEY BAR ASSEMBLY

**FINAL ASSEMBLY  
STEP 2**

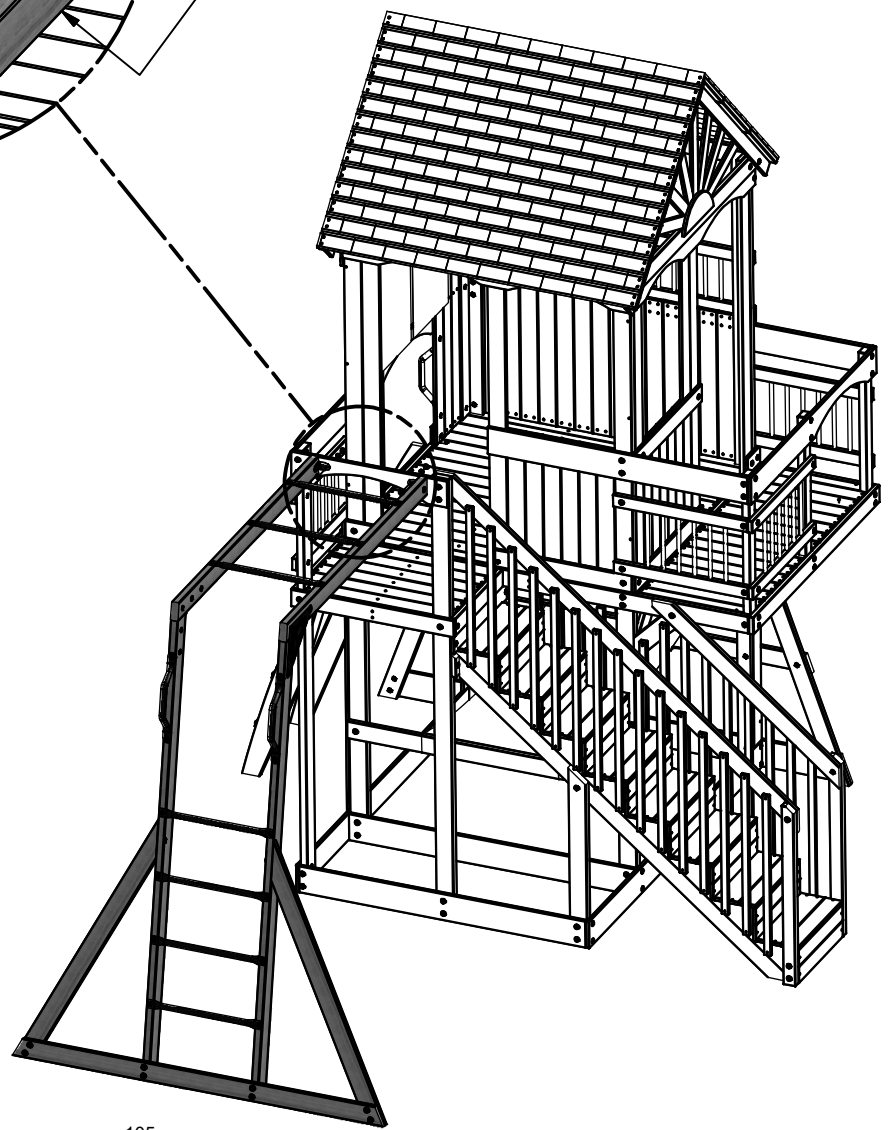
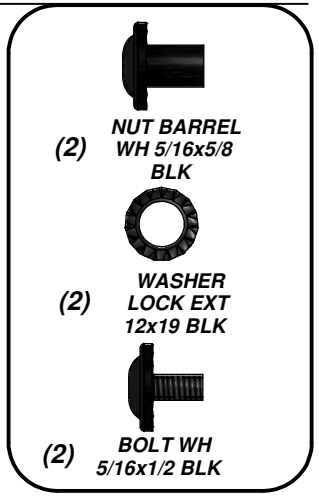
NUT BARREL WH 5/16x5/8 BLK  
(2 PLCS)

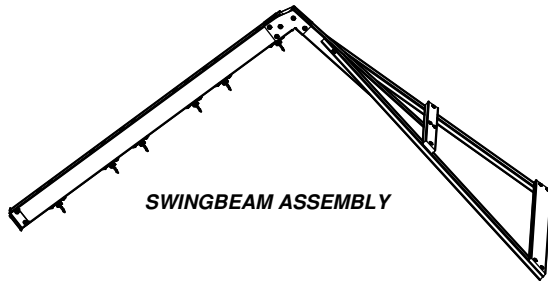
WASHER LOCK EXT 12x19 BLK  
(2 PLCS)

BOLT WH 5/16x1/2 BLK  
(2 PLCS)

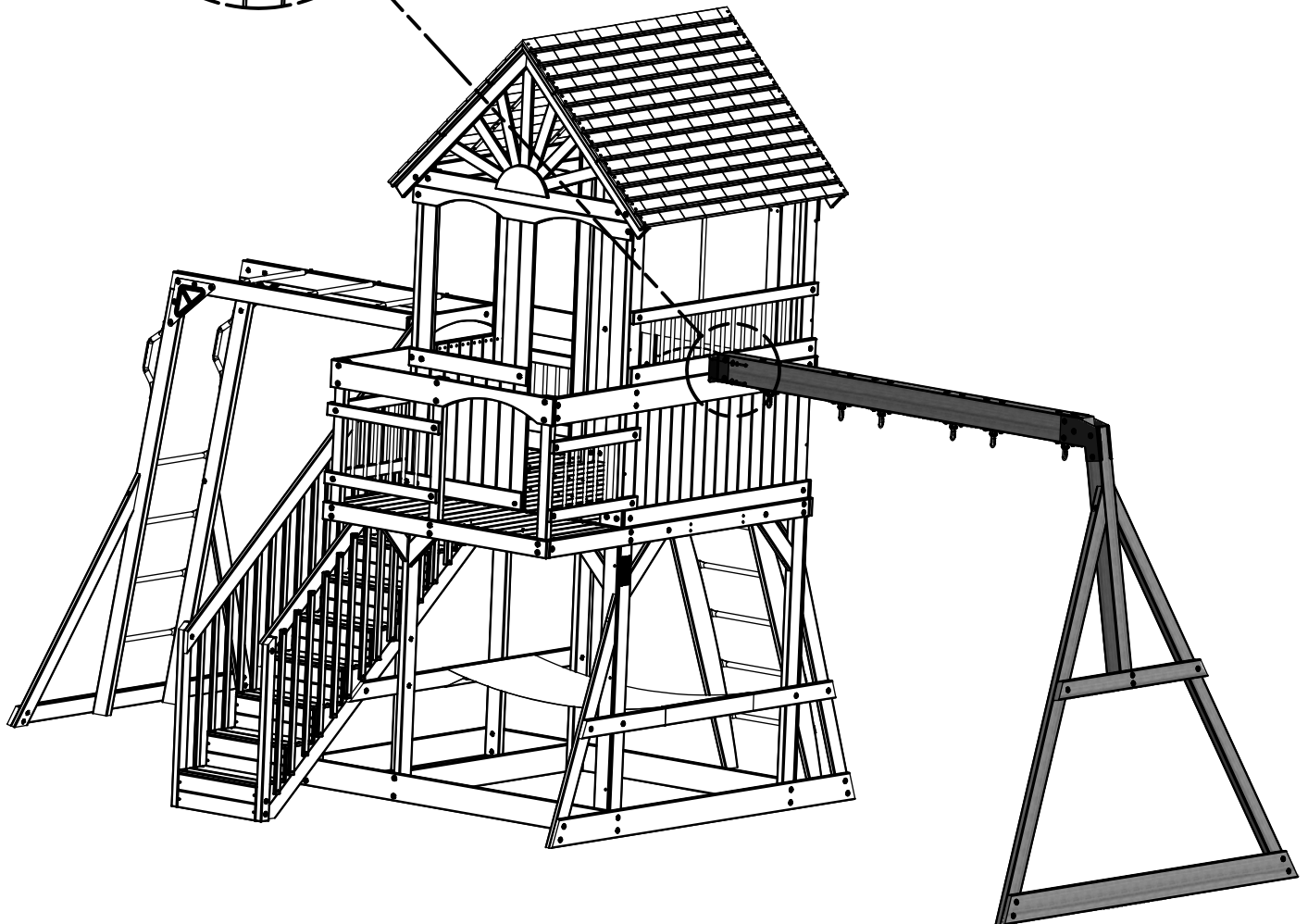
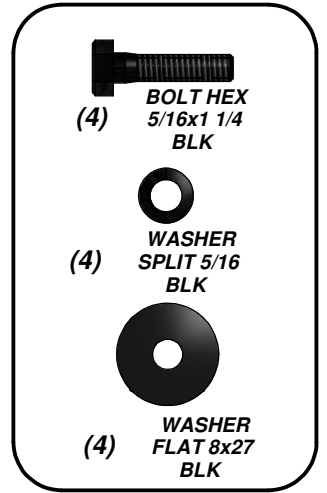
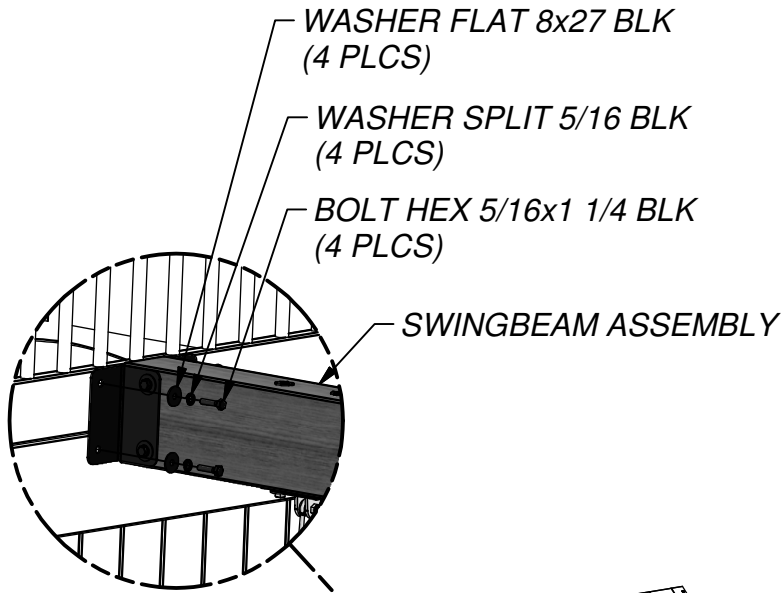


MONKEY BAR ASSEMBLY





**FINAL ASSEMBLY  
STEP 3**





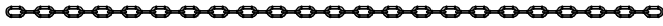
(2) - SWING SEAT GREEN - A6P00054



(6) FA - QUICK LINK - A100069



(1) - TRAPEZE - A6P00034

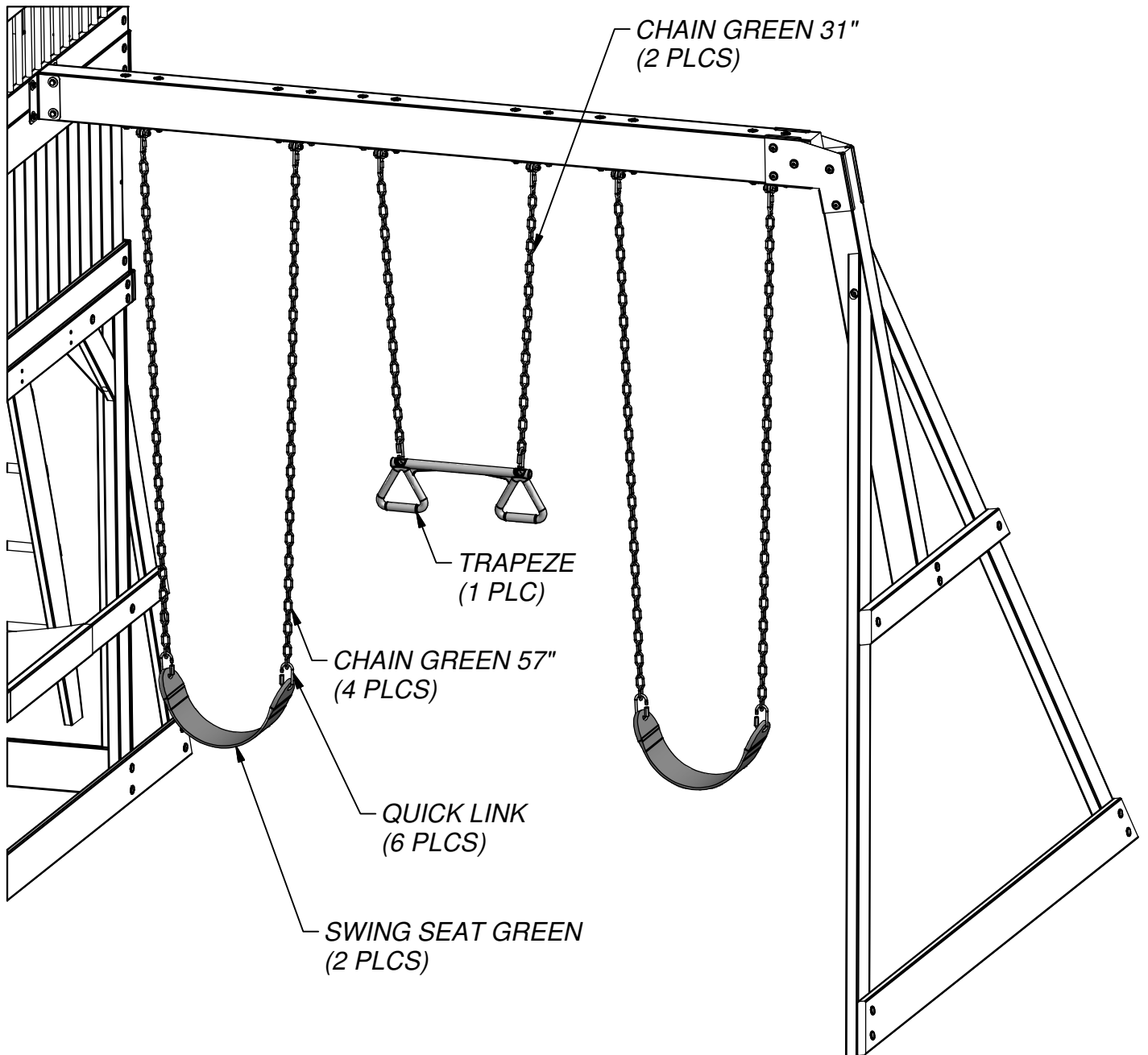


(4) EF - CHAIN GREEN 57" - A100047

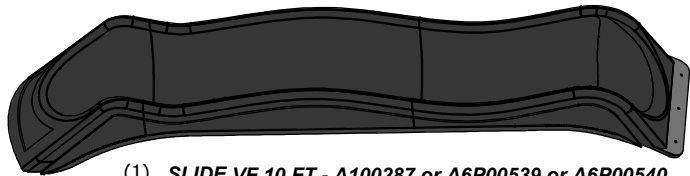


(2) KN - CHAIN GREEN 31" - A100177

**FINAL ASSEMBLY  
STEP 4**



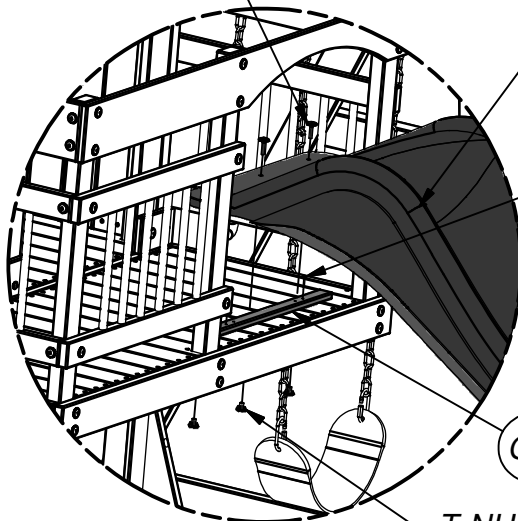
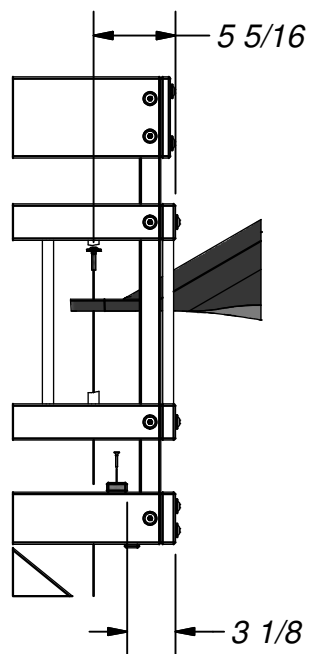
- (1) O70 - SLIDE MOUNTING BOARD - W102822  
5/8"x1 3/8"x20 3/8" (16x34x517)




- (1) SLIDE VF 10 FT - A100287 or A6P00539 or A6P00540


**FINAL ASSEMBLY  
STEP 5**

BOLT WH 5/16x1 1/4 BLK  
(3 PLCS)  
DRILL 3/8" (10mm) HOLES THROUGH FLOOR






(3) T-NUT 5/16  
BLK



(3) BOLT WH  
5/16x1 1/4  
BLK

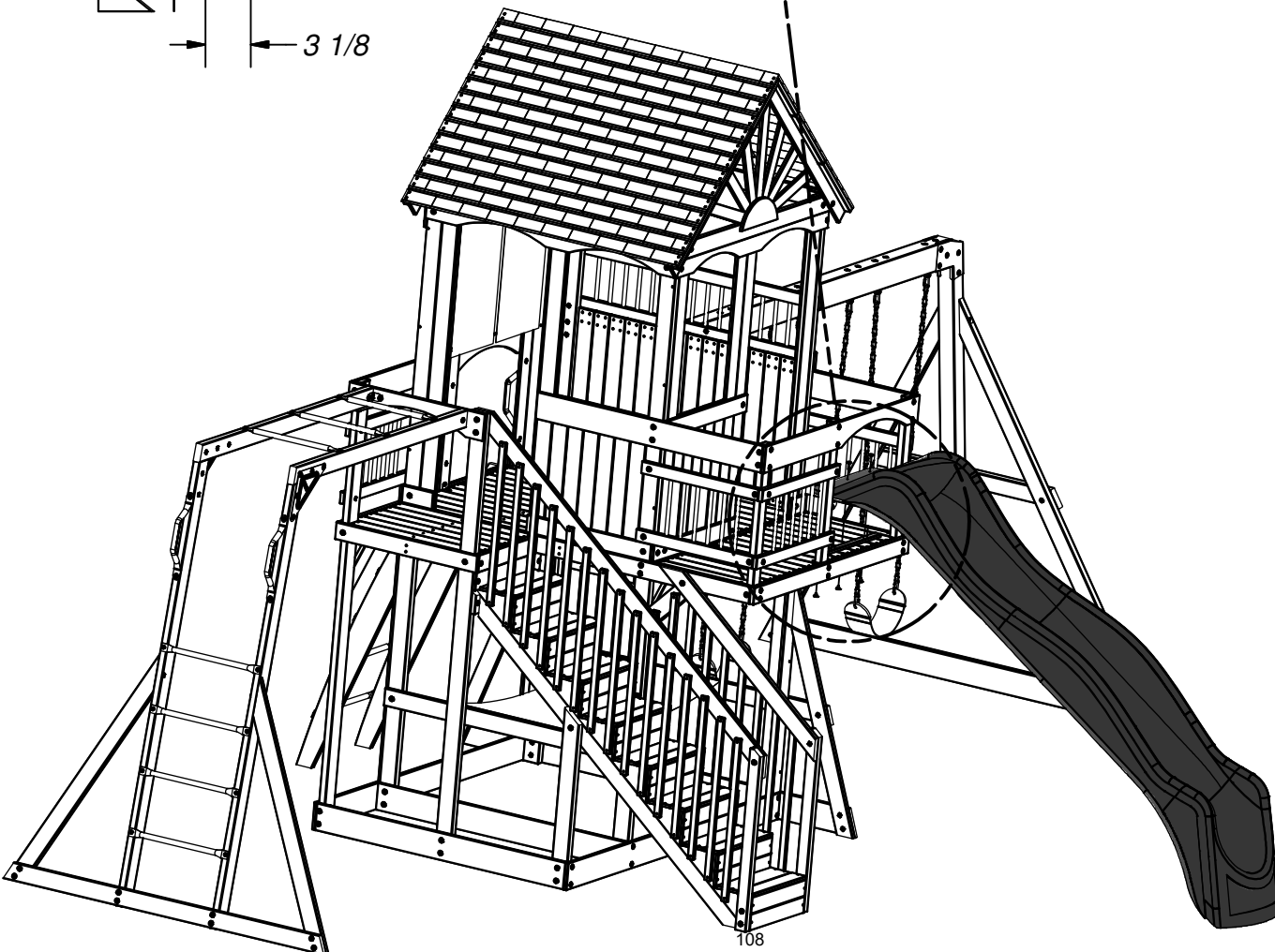


(2) SCREW PFH  
8x1 1/8

SLIDE VF 10 FT  
(1 PLC)

SCREW PFH 8x1 1/8  
(2 PLCS)

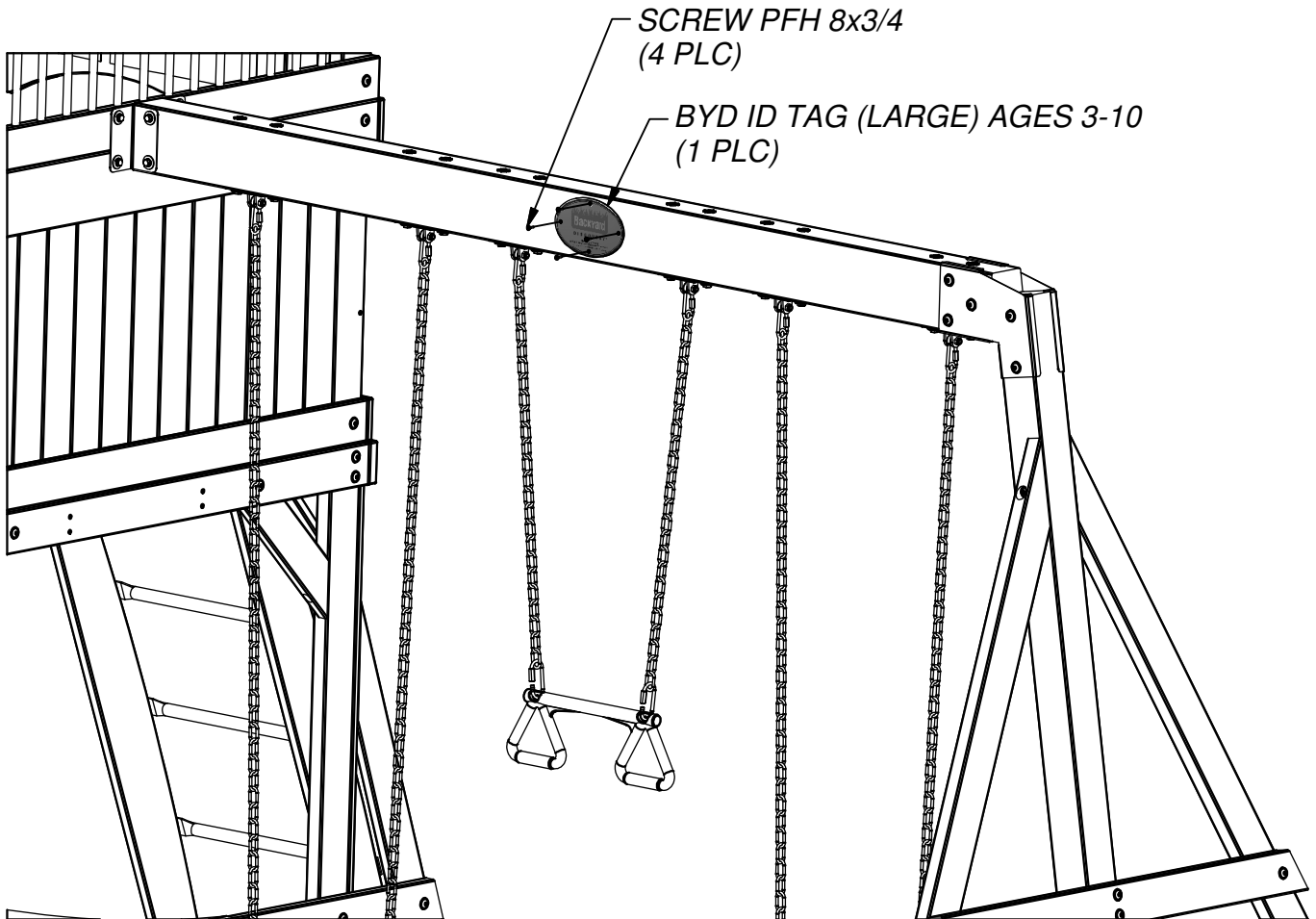
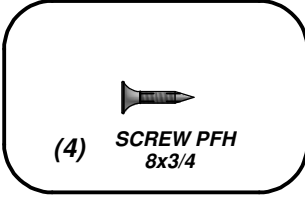
T-NUT 5/16 BLK  
(3 PLCS)





(1) - BYD ID TAG (LARGE) AGES 3-10 - A100164

**FINAL ASSEMBLY  
STEP 6**

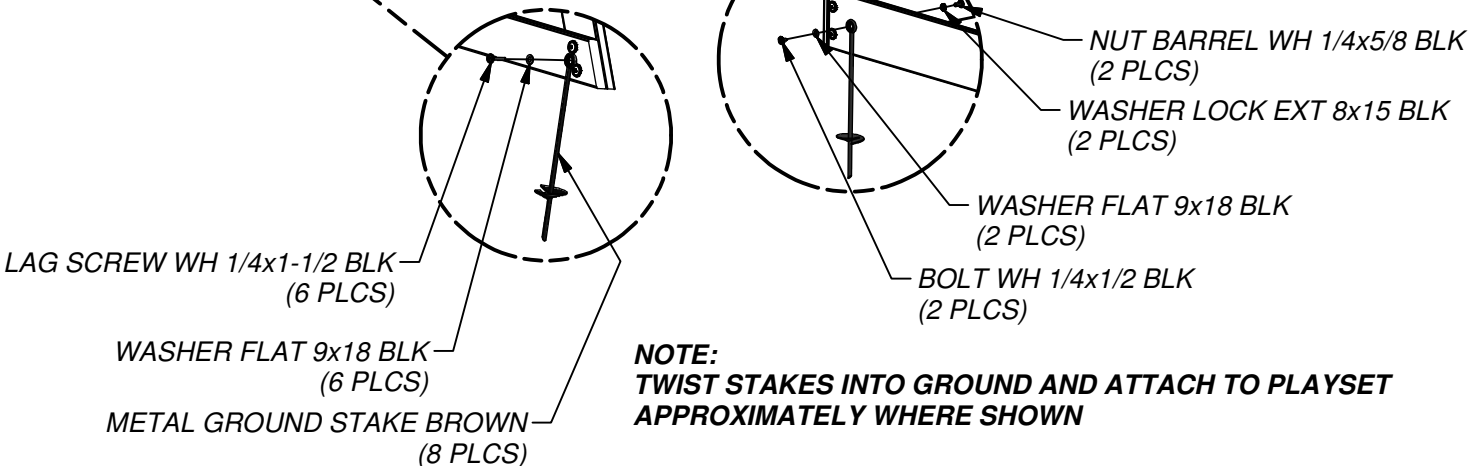
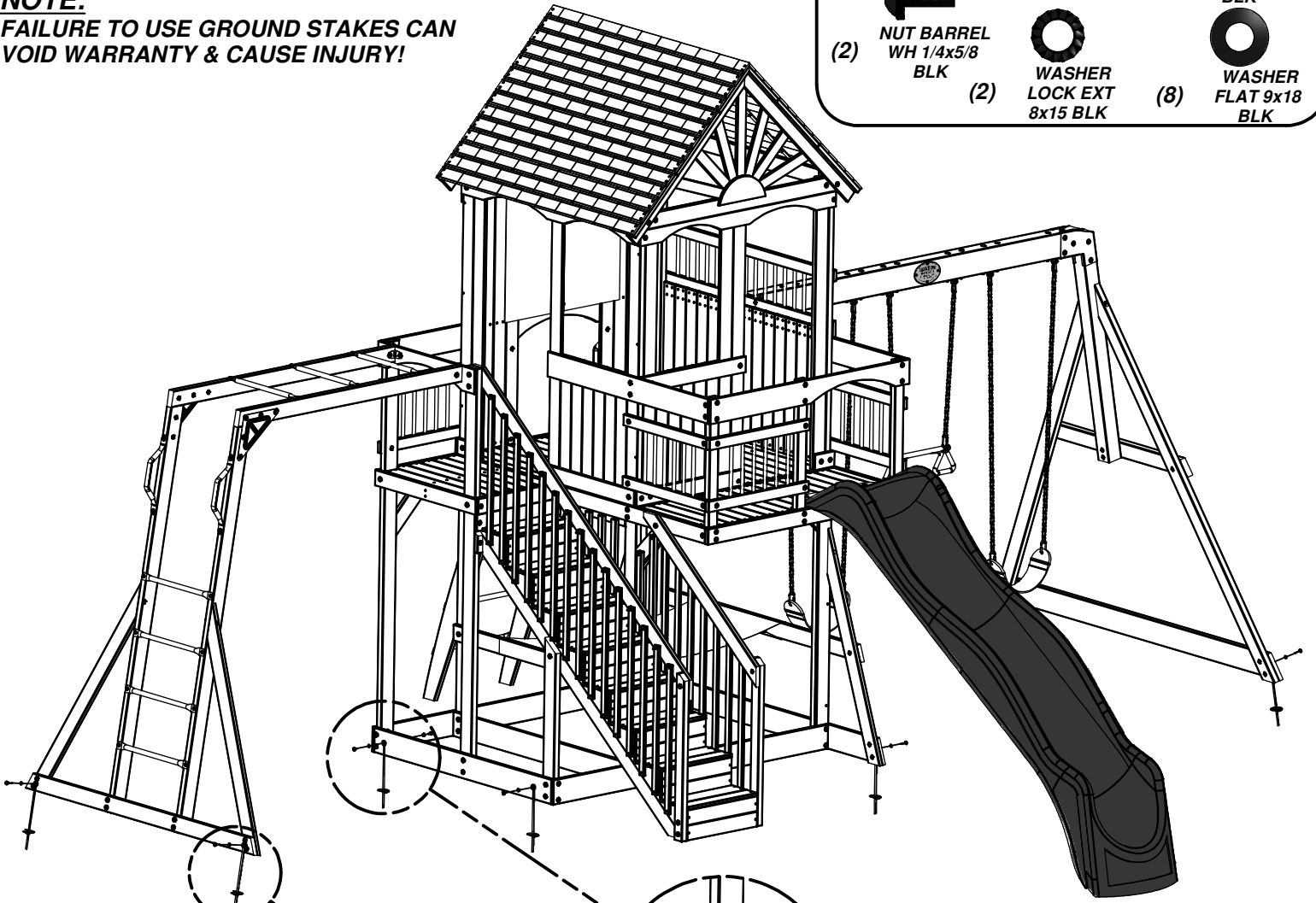
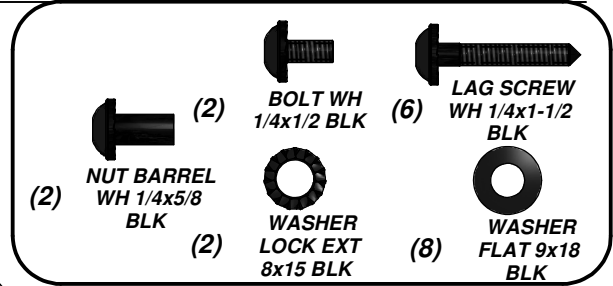




(8) KC - METAL GROUND STAKE BROWN - A100178

**FINAL ASSEMBLY  
STEP 7**

**NOTE:  
FAILURE TO USE GROUND STAKES CAN  
VOID WARRANTY & CAUSE INJURY!**



**NOTE:  
TWIST STAKES INTO GROUND AND ATTACH TO PLAYSET  
APPROXIMATELY WHERE SHOWN**

**FINAL STEP**

**DOUBLE CHECK EVERY BOLT, SCREW AND NUT FOR TIGHTNESS. MAKE SURE EVERY BOARD IS SECURE AND MAKE SURE THE PLAY SET IS LEVEL.**

**ENJOY YOUR NEW PLAY SET!**