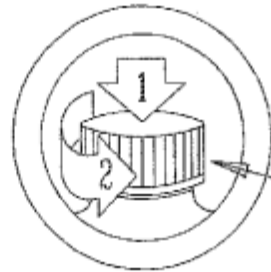
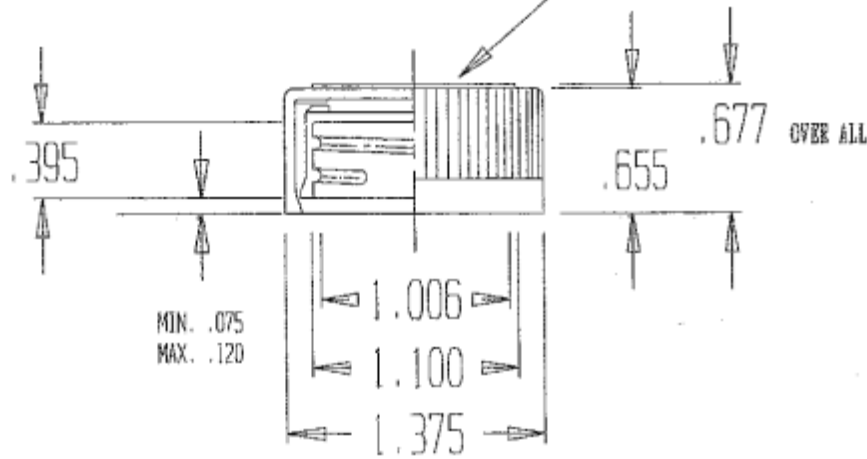


TWO PIECE CAP
ASSEMBLED



PICTORIAL DESIGN
.022 HIGH



"T"	"E"	"H"	"A"	"B"
1.100	1.006	.395	1.375	.677
MATERIAL: POLYPROPYLENE				
WEIGHT: 4.9 GRAMS +/- 1.5 grams				

DISCLAIMER

THIS INFORMATION IS PROVIDED AS A GENERAL GUIDE, INCLUDING DIMENSIONS. IT IS THE CUSTOMER'S RESPONSIBILITIES TO SELECT THE PROPER CONTAINER FOR PRODUCT AND APPLICATION COMPATIBILITY.

DISTRIBUTED BY:



REF NO.:

DWG30350

DESCRIPTION:

28-400 PP Child Resistant Cap with SG75.020 Plain Liner

Safe-Gard™ Type A Technical Data Sheet

.020" Pulp SG-75M

Revision: SG75M-03142016

MRP DESCRIPTION - (076)SG75M.020 PL

Product	.020" Pulp SG-75M																				
Scope	Two piece white-lined pulp backed heat induction foil innerseal that will provide a tamper evident seal to PE containers.																				
Composition	<table border="1"> <thead> <tr> <th>Material</th> <th>Standard</th> <th>Metric</th> </tr> </thead> <tbody> <tr> <td>Pulp</td> <td>0.020"</td> <td>0.508mm</td> </tr> <tr> <td>Wax</td> <td>-</td> <td>-</td> </tr> <tr> <td>Foil</td> <td>0.001"</td> <td>0.025mm</td> </tr> <tr> <td>PET Film</td> <td>0.0005"</td> <td>0.013mm</td> </tr> <tr> <td>Heat Seal</td> <td>0.0015"</td> <td>0.038mm</td> </tr> </tbody> </table>	Material	Standard	Metric	Pulp	0.020"	0.508mm	Wax	-	-	Foil	0.001"	0.025mm	PET Film	0.0005"	0.013mm	Heat Seal	0.0015"	0.038mm		
Material	Standard	Metric																			
Pulp	0.020"	0.508mm																			
Wax	-	-																			
Foil	0.001"	0.025mm																			
PET Film	0.0005"	0.013mm																			
Heat Seal	0.0015"	0.038mm																			
FDA Status: 21 CFR 177.1210	Recommended Storage and Handling: Refer to website																				
Drug Master File (DMF): 3782	EU / EP Reg.:																				
GTR Oxygen: Essentially Zero	MVTR: Essentially Zero																				

Sealing to glass containers: Selig can not guarantee the performance or seal integrity of this materials when applied to any glass (treated or untreated) container. We suggest you contact your glass supplier for recommendations on glass treatments that may or may not improve performance or seal integrity.

Print Location (if any): On foil layer

Selig materials are compliant with limitation of heavy metals in packaging per CONEG & EU 94/62/EC, article 11.

MSDS's are not required as Selig is not a chemical manufacturer or distributor and our products are 'articles' intended for food packaging per 29 CFR 1910.1200 (HazCom).

DISCLAIMER

THIS INFORMATION IS PROVIDED AS A GENERAL GUIDE, INCLUDING DIMENSIONS. IT IS THE CUSTOMER'S RESPONSIBILITIES TO SELECT THE PROPER CONTAINER FOR PRODUCT AND APPLICATION COMPATIBILITY.

DISTRIBUTED BY:



REF NO.:

DWG30350

DESCRIPTION:

28-400 PP Child Resistant Cap with SG75.020 Plain Liner