

# ADCRAFT®



**NCW1P120**  
Single Pump Dispenser



**NCW1P1L120**  
1 Kettle with Ladle & 1 Pump Dispenser



**NCW2P120**  
Double Pump Dispenser

## Topping Warmer & Dispenser Instruction Manual

This manual contains important information regarding your Adcraft unit. Please read this manual thoroughly prior to equipment set-up, operation, and maintenance. Failure to comply with regular maintenance guidelines outlined in this manual may void the warranty.



## IMPORTANT SAFEGUARDS

- This warmer is designed for commercial use only and is not intended for residential use. It should be operated by trained individuals. Be sure to read the operation and safety manual before using.
- **CAUTION** - PUMP SPOUT BECOMES HOT DURING OPERATION - to avoid possible serious injury, use protective heat resistant gloves when handling hot unit.
- **CAUTION - DO NOT OPERATE UNIT WITHOUT WATER** - check water level frequently when in operation. Apply more water as needed.
- **CAUTION - DO NOT SUBMERGE HEATING ELEMENT IN WATER**

## SPECIFICATIONS

MODEL#	POWER SUPPLY	UNIT DIMENSIONS (IN) L/D X W X H	UNIT WEIGHT (LB.)
NCW1P120 (SINGLE PUMP)	120V / 60HZ / 550W	9.06" x 16.89" x 15.71"	7.98
NCW2P120 (DOUBLE PUMP)	120V / 60HZ / 1100W	18.31" x 16.93" x 16.39"	16.40
NCW1P1L120 (KETTLE & PUMP)	120V / 60HZ / 1100W	18.31" x 16.93" x 16.39"	15.78

## OPERATION INSTRUCTION

Warmers are intended to be used with a #10 can and a 3.5 quart inset (if applicable).

1. Fill well with 1 and 1/3 quarts of hot water
  2. Turn on warmer using control knob to desired setting.
  3. Insert product in either 3.5 qt stainless steel inset or #10 can.
  4. Cover with inset lid or pump cover.
  5. Allow content to pre-heat to the desired temperature, set thermostat to desired holding temperature.
    - \* **NOTE** - Pump insert will not function properly until contents are properly pre-heated.
- **CAUTION:** PUMP SPOUT BECOMES HOT DURING Operation - to avoid possible serious injury, use protective heat resistant gloves when handling hot unit.
  - **CAUTION: DO NOT OPERATE UNIT WITHOUT WATER** - check water level frequently when in operation. Apply more water as needed.
  - **CAUTION: DO NOT SUBMERGE HEATING ELEMENT IN WATER**
  - **DO NOT OPERATE ON HIGH HEAT FOR MORE THAN 45 MINUTES** - contents may overheat and burn.

## CLEANING

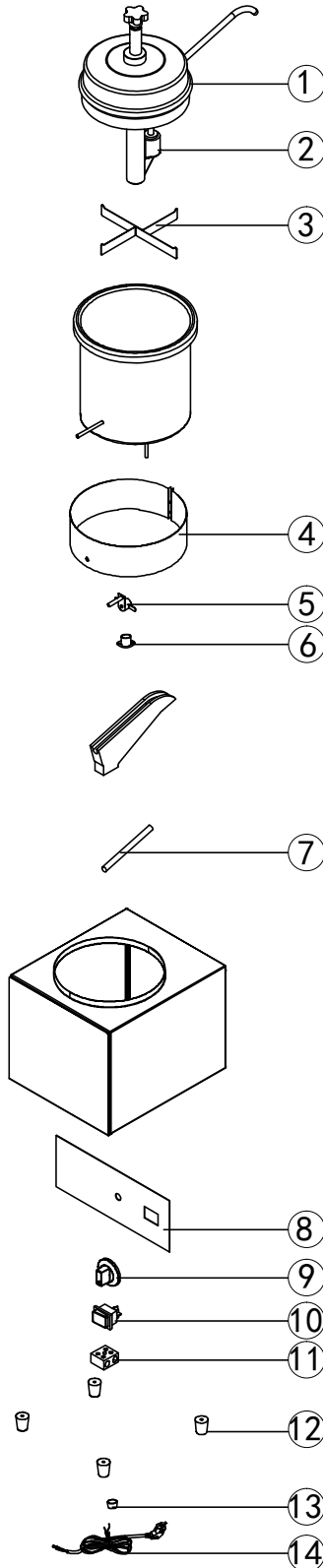
Clean and dry the heating unit after each use. Use soft cloth and mild soap on exterior. Do not use metal scouring pads, strong abrasives or detergents on exterior. These however can be used on the interior of heating unit when necessary.

1. Before first use and after daily use, disassemble unit and wash removable parts.
2. Empty water each day and rinse with clean water.
3. Clean the interior well and external surfaces. Do not use abrasive, caustic, or ammonia-based cleansers. A mildly abrasive nylon brush may be used to remove any stubborn food or mineral depots on the interior of the unit. Do not use metal scrapers or cleaning pads that could scratch the external surfaces.
4. Pump Cleaning: clean pump thoroughly between each use.
  - a. Remove nut-cylinder and pull pump-plunger from the pump chamber.
  - b. Remove knob from plunger and disassemble.
  - c. Remove the cap-tube and nut-sleeve-tube. Remove cover from pump.
  - d. Remove "U" pin.

- e. Remove ball bearings from pump.
- f. Wash all pieces with mild soap and warm water. Sanitize in 220 ppm four-part solution.
- g. Reassemble.
- \* **NOTE:** Wet the 'O-Ring' with edible vegetable oil when reassembling.

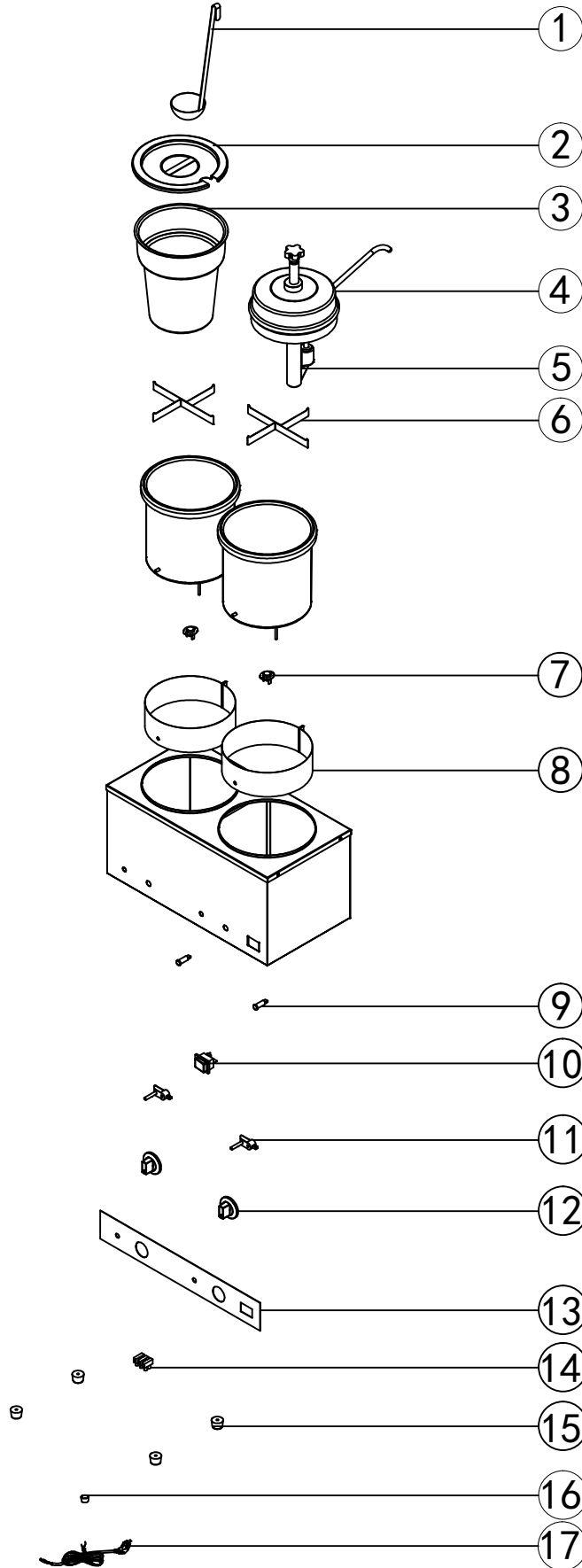
## PRODUCT DIAGRAM - NCW1P120

NO.	PART NAME
1	Pump Lid
2	Pump Assembly
3	Inner Drum
4	Spacer
5	Heating Ring
6	Temperature Limiter
7	Heating Pipe
8	Terminal Block
9	Foot
10	Power Cord Buckle
11	Power Cord
12	Control Panel
13	Working Light
14	Knob
15	Thermostat
16	Power Switch



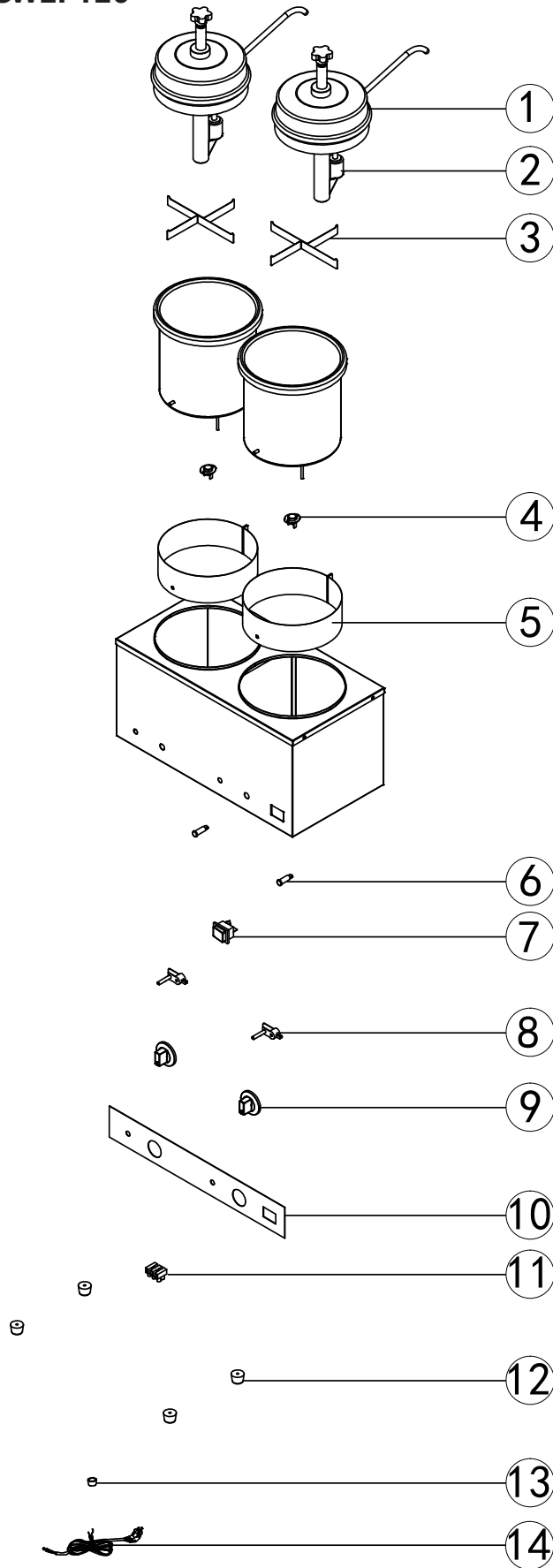
## PRODUCT DIAGRAM - NCW1P1L120

NO.	PART NAME
1	Ladle
2	Lid
3	Inset Pot
4	Pump Lid
5	Pump Assembly
6	Inner Drum
7	Spacer
8	Heating Ring
9	Temperature Limiter
10	Foot
11	Terminal Block
12	Power Cord Buckle
13	Power Cord
14	Control Panel
15	Thermostat
16	Knob
17	Working Light
18	Power Switch



## PRODUCT DIAGRAM - NCW2P120

NO.	PART NAME
1	Pump Lid
2	Pump Assembly
3	Inner Drum
4	Spacer
5	Heating Ring
6	Temperature Limiter
7	Foot
8	Terminal Block
9	Power Cord Buckle
10	Power Cord
11	Control Panel
12	Thermostat
13	Knob
14	Working Light
15	Power Switch





## 1-YEAR LIMITED WARRANTY

Admiral Craft Equipment Corp. (the "Company") warrants this product (the "Product") will be free from failures in material and workmanship for one (1) year from the date of original purchase with proof of purchase, provided that the Product is operated and maintained in conformity with the Owner's Manual. This Limited Warranty is non-transferable. During this period, your exclusive remedy is repair or replacement without charge of the Product or any component found to be defective at the Company's discretion. If the Product or any component is no longer available, the Company will replace it with a similar one of equal or greater value. This Limited Warranty is void if the Product is used with voltage other than 120 Volts. **THIS WARRANTY IS IN LIEU OF ALL IMPLIED WARRANTIES, INCLUDING WARRANTIES OF MERCHANTABILITY, FITNESS FOR A PARTICULAR PURPOSE, PERFORMANCE, OR OTHERWISE, WHICH ARE HEREBY EXCLUDED. IN NO EVENT SHALL THE COMPANY BE LIABLE FOR ANY DAMAGES, WHETHER DIRECT, INDIRECT, INCIDENTAL, FORESEEABLE, CONSEQUENTIAL, OR SPECIAL ARISING OUT OF OR IN CONNECTION WITH THIS PRODUCT INCLUDING DAMAGES ARISING FOR FOOD OR BEVERAGE SPOILAGE CLAIMS.**

You may have other legal rights depending upon where you live. Some States or Provinces do not allow limitations on warranties so the foregoing may not apply to you.

## WARRANTY EXCLUSIONS

---

### IMPROPER ELECTRICAL CONNECTIONS:

The Company is not responsible for the repair or replacement of failed or damaged components resulting from electrical power failure, the use of extension cords, low voltage, or voltage spikes to the Product.

### IMPROPER USAGE:

This Limited Warranty does not cover failure or other damages to the Product resulting from (i) improper usage or installation or failure to clean and/or maintain the Product as set forth in the Owner's Manual; or (ii) accident, misuse, abuse, negligence, or modification or alteration of the Product.

### CONSUMABLES:

This Limited Warranty does not include consumables or wear-and-tear items such as legs, feet, plastic component parts, splash shields, filters, gaskets, and non-stick cooking surfaces.

### ADJUSTMENTS & CALIBRATIONS:

Leveling, tightening of fasteners, or utility connections normally associated with the original installation are the responsibility of the dealer, installer, or the end user and not the responsibility of the Company and will not be considered warranty issues.

If you think the Product has failed, or requires service, within its warranty period, please contact the Company's Customer Care Department through our website at: [www.admiralcraft.com](http://www.admiralcraft.com) "Service" --> "Technical Support Request". A receipt proving the original purchase date will be required for all warranty claims, handwritten receipts are not accepted. You may also be required to return the Product for inspection and evaluation. Return shipping costs are not refundable. The Company is not responsible for returns lost in transit.

This Limited Warranty is Valid only in the USA and Canada.