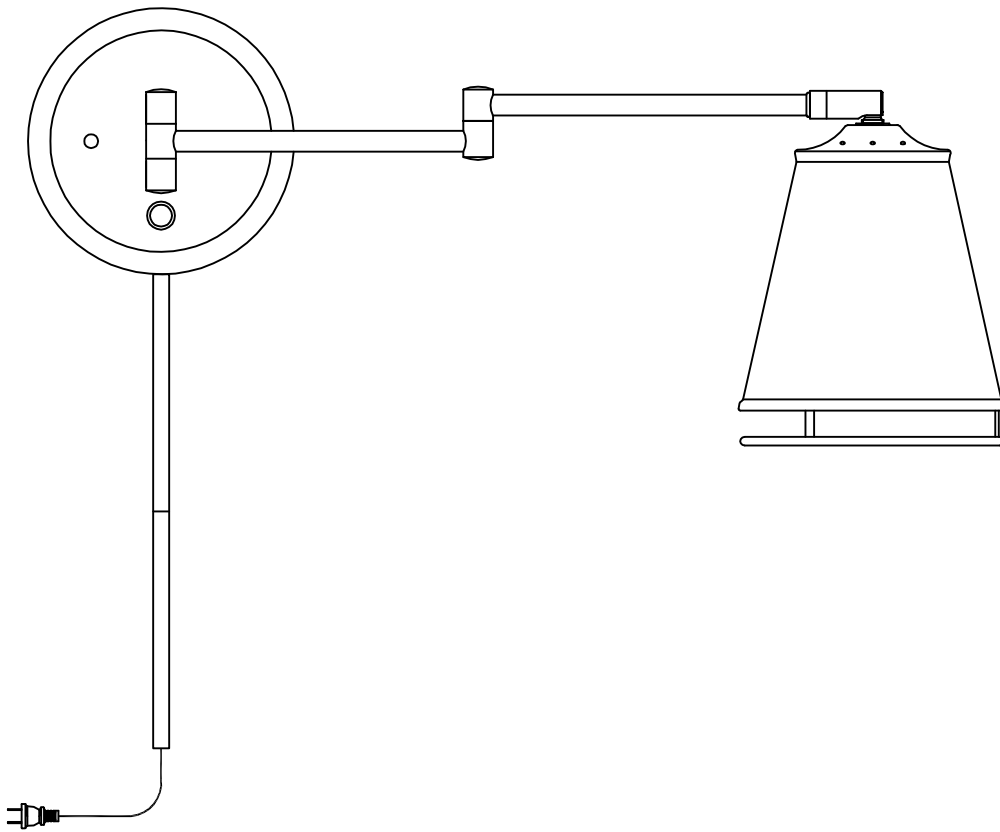




ALL • TOGETHER • BETTER

USE AND CARE GUIDE

METRO SWING ARM CONVERTIBLE LAMP-#21009



Questions, problems, missing parts? Before returning to the store,
call Kenroy Home Customer Service
8 a.m.-6 p.m., EST, Monday-Friday

904-642-4340

THANK YOU

We appreciate the trust and confidence you have placed in Kenroy Home through the purchase of this lamp.
We strive to continually create quality products designed to enhance your home.
Thank you for choosing us!

Table of Contents

| | |
|--|----------|
| Safety Information | 2 |
| Warranty | 2 |
| Pre-Installation | 3 |
| Planning Installation | 3 |
| Package Contents | 4 |
| Using power cord instructions | 5 , 6, 7 |
| Outlet box installation instructions | 8, 9, 10 |
| Care and Cleaning | 11 |
| Troubleshooting | 11 |

Safety Information

- Consult a qualified electrician with any electrical questions you may have.



IMPORTANT: Inspect the wire insulation for any cuts, abrasions, or exposed copper that may have occurred during shipping. If there is a defect in the wire, do not continue the assembly process. Please call our Customer Service Team at 904-642-4340.

Warranty

1-YEAR LIMITED WARRANTY

WHAT IS COVERED

The manufacturer warrants this lamp to be free from defects in the materials and workmanship for a period of one (1) year from date of purchase. This warranty applies only to the original consumer purchaser and only to products used in normal use. If this product is found to be defective, the manufacturer's only obligation, and your exclusive remedy, is the repair or replacement of the product at the manufacturer's discretion, provided that the product has not been damaged through misuse, abuse, accident, modifications, alterations, neglect or mishandling. This warranty shall not apply to any product that is found to have been improperly installed, assembled, or used in any way not in accordance with the instructions supplied with the product. This warranty shall not apply to a failure of the product as a result of an accident, misuse, abuse, negligence, alteration, faulty installation, or any other failure not relating to faulty material or workmanship.

WHAT IS NOT COVERED

This warranty shall not apply to the finish on any portion of the product due to weathering, as this is considered normal wear. The manufacturer does not warrant and specifically disclaims any warranty, whether expressed or implied, other than the warranty contained herein. The manufacturer specifically disclaims any liability and shall not be liable for any consequential or incidental loss or damage, including but not limited to, any labor or expense costs involved in the replacement or repair of the product.

Contact the Customer Service Team at 904-642-4340.

Pre-Installation

PLANNING INSTALLATION

Read all instructions before assembly.

To avoid damaging this product, assemble it on a soft, non-abrasive surface such as carpet or cardboard. Inspect each part for defects that may have occurred during shipping.

Keep your receipt and these instructions for proof of purchase.

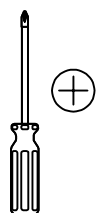


NOTE: The lamp requires the use of one 120V, 60Hz, 60-Watt max, medium-base type A bulb (not included). Do not exceed the recommended wattage.

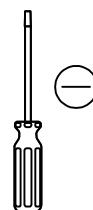
TOOLS REQUIRED



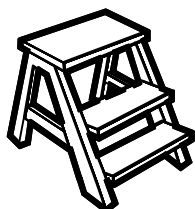
Safety goggles



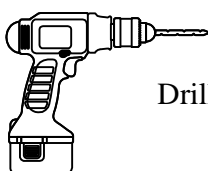
Phillips screwdriver



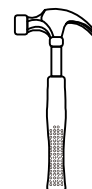
Flathead screwdriver



Ladder



Drill



Hammer

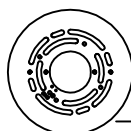
HARDWARE INCLUDED



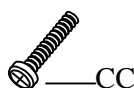
NOTE: Hardware not shown to actual size.



AA



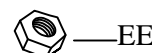
BB



CC



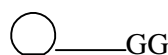
DD



EE



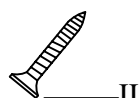
FF



GG



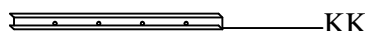
HH



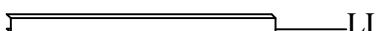
II



JJ



KK



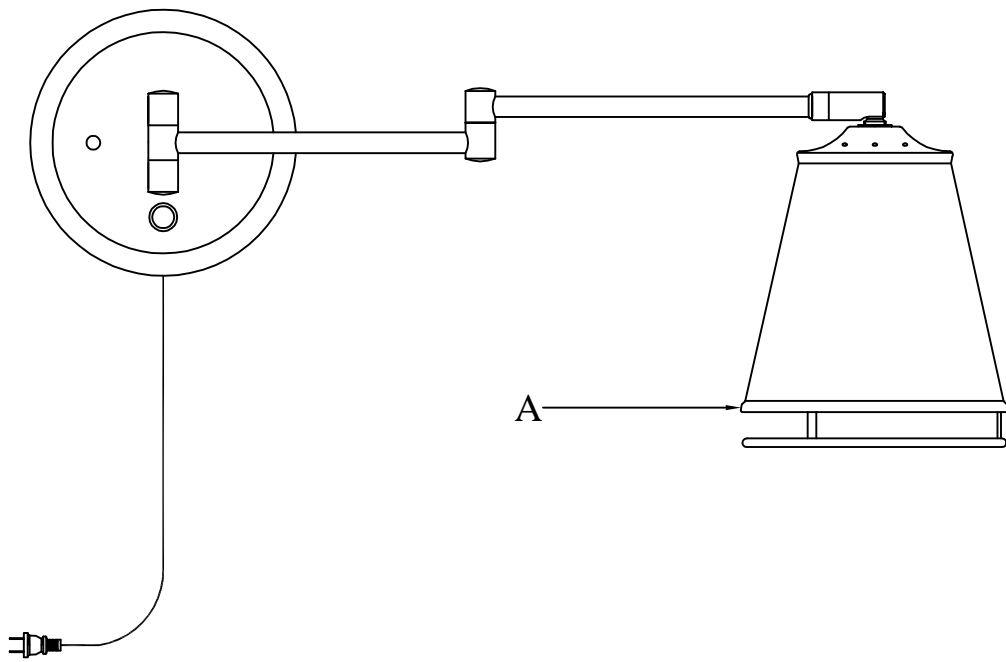
LL

| Part | Description | Quantity |
|------|------------------|----------|
| AA | Wire nut | 1 |
| BB | Mounting plate | 1 |
| CC | Outlet box screw | 2 |
| DD | Mounting screw | 2 |
| EE | Small nut | 2 |
| FF | Ground screw | 1 |

| Part | Description | Quantity |
|------|----------------|----------|
| GG | Ball finial | 2 |
| HH | Plastic anchor | 6 |
| II | Wood screw | 6 |
| JJ | Hole plug | 1 |
| KK | Channel | 1 |
| LL | Cord cover | 2 |

Pre-Installation (continued)

PACKAGE CONTENTS

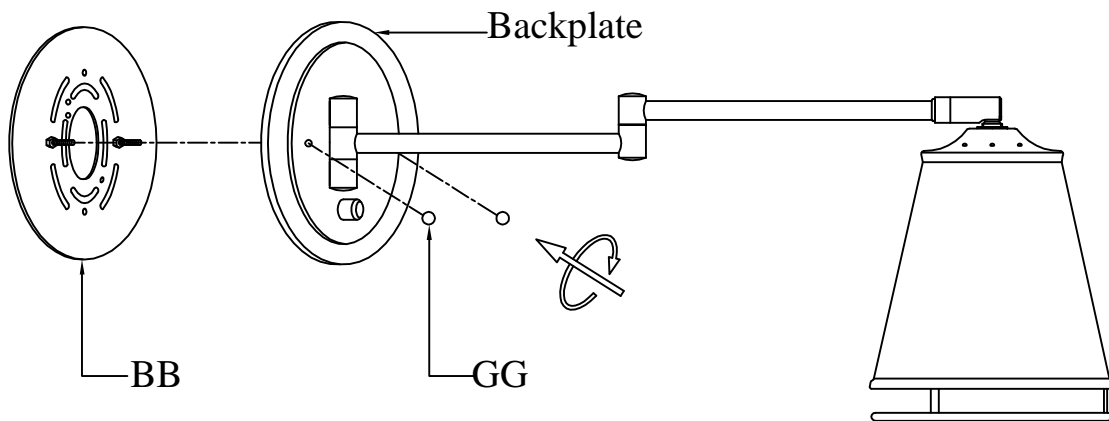


| Part | Description | Quantity |
|------|-------------|----------|
| A | Lamp body | 1 |

Using power cord instructions

1. Unpack the lamp and remove the mounting plate

- Carefully organize and place all parts on a smooth, flat surface. Line up all of the parts according to the installation diagram.
- Remove the mounting plate (BB) from back of the backplate by unscrewing the two ball finials (GG).

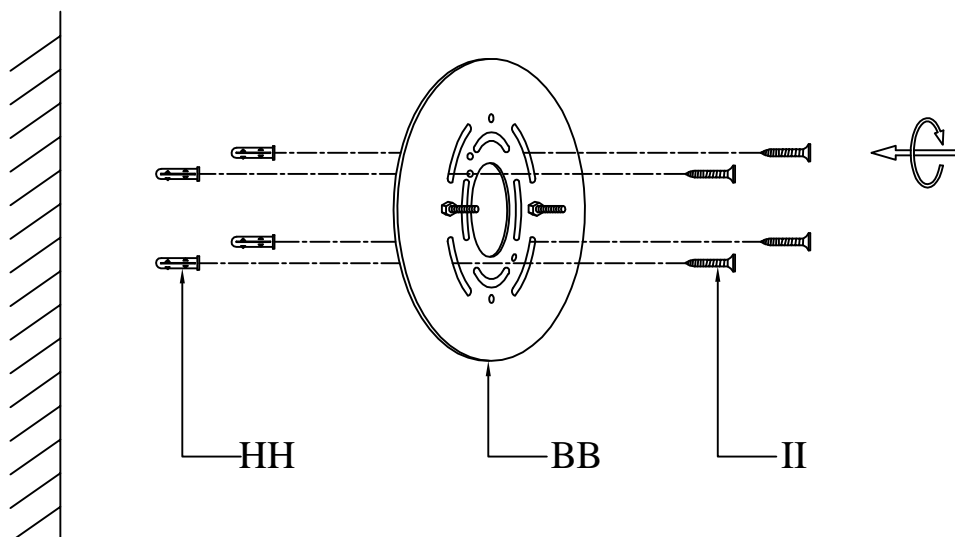


NOTE: If using power cord follow instructions below.

If wiring to an outlet box proceed to outlet box installation instructions.

2. Installing the mounting plate

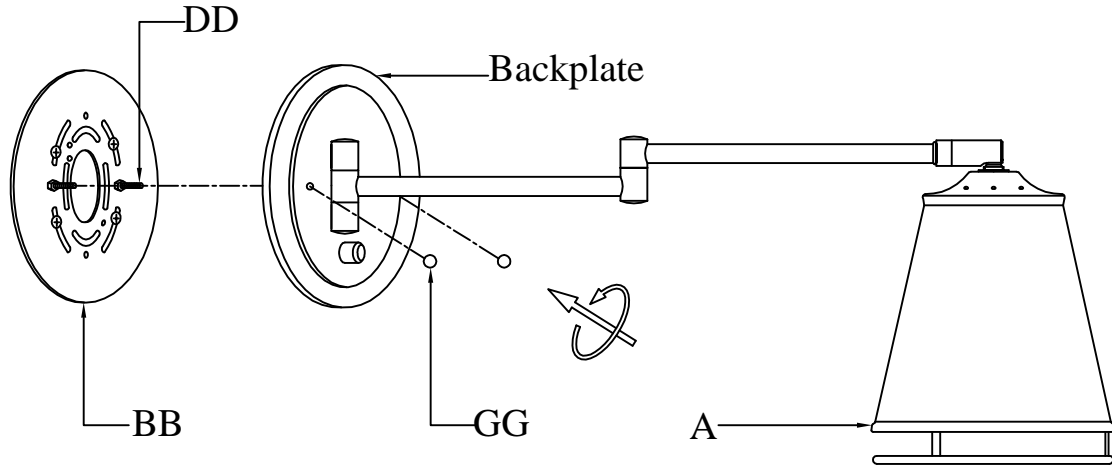
- Position the lamp body (A) on the wall at desired location and mark the place for the wood screws (II) to be installed.
- Drill pilot holes on the marked spots and insert plastic anchors (HH).
(If fastening with wood screws (II) to studs, skip this step)
- Attach the mounting plate (BB) to the plastic anchors (HH) or the spots that you marked on studs and secure with four wood screws (II).



Using power cord instructions (continued)

3. Hanging the lamp body

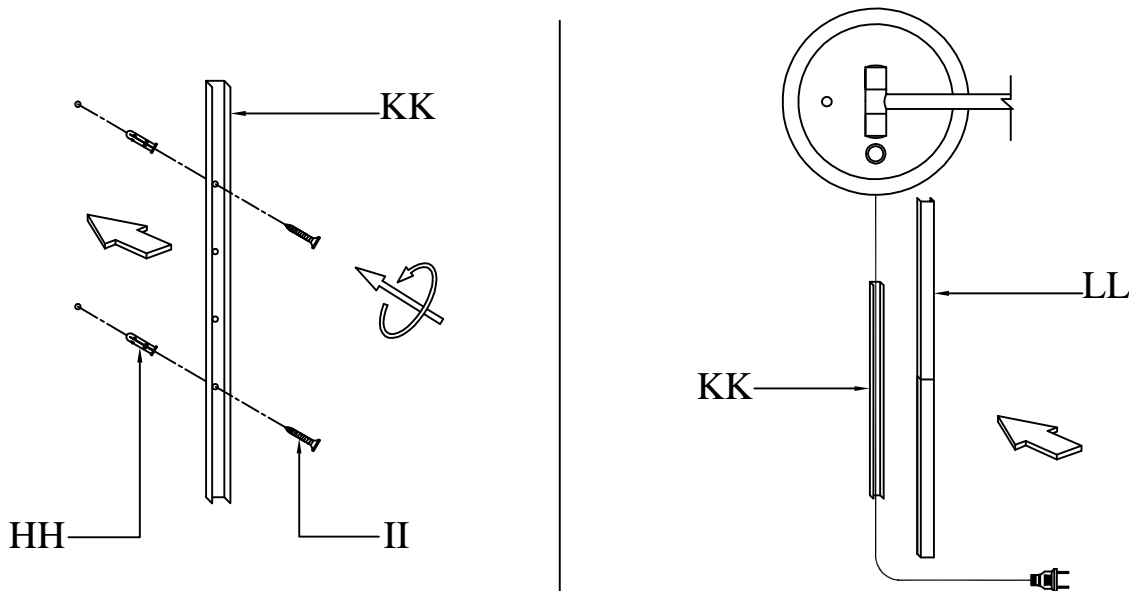
- Raise the lamp body (A) to wall, align the holes in backplate with the mounting screws (DD), and then secure the backplate to the wall with two ball finials (GG).



4. Installing the cord cover

Optional, if not using cord covers skip to step 5.

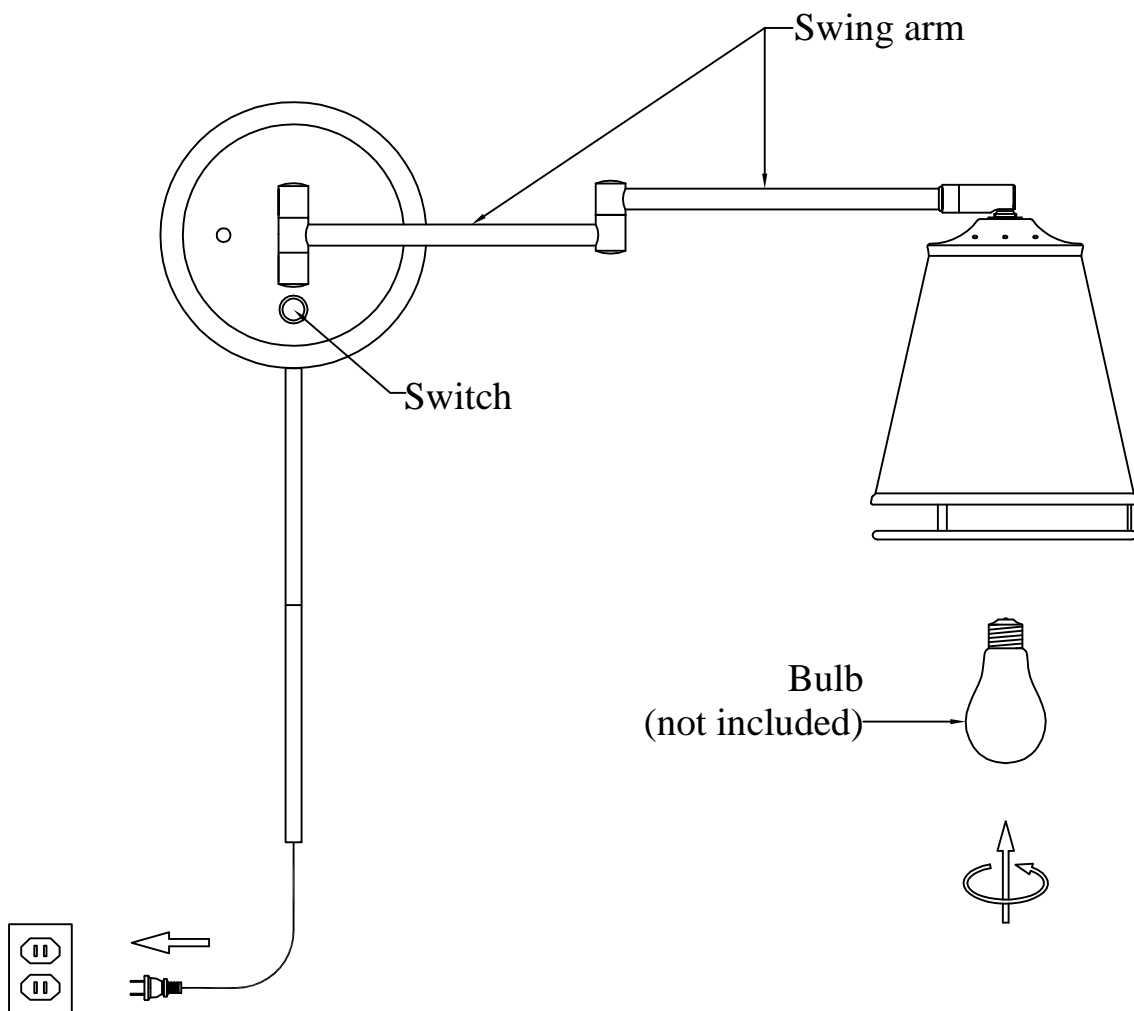
- Place the cord channel (KK) on the wall and mark the holes.
- Drill pilot holes on the marked spots and insert plastic anchors (HH).
(If fastening with wood screws (II) to studs, skip this step)
- Attach the cord channel (KK) to the wall and secure with two wood screws (II).
- Place cord inside the cord channel (KK) and press the two cord covers (LL) firmly on cord channel (KK) to secure.



Using power cord instructions (continued)

5. Installing the bulb

- Swing the swing arm, if the swing arm is hard to swing or have abnormal sound, put a drop of WD-40 or similar product on the joint and let it sit overnight. dry with a soft cloth.
- Prior to installing the bulb, inspect socket for silica packet. If packet is present, then remove and throw away. Do not expose it to children or pets.
- Install one 120V, 60Hz, 60-watt max. medium-base type A bulb (not included) in to the socket of the light lamp.
- Plug cord into an outlet and turn on at the switch.

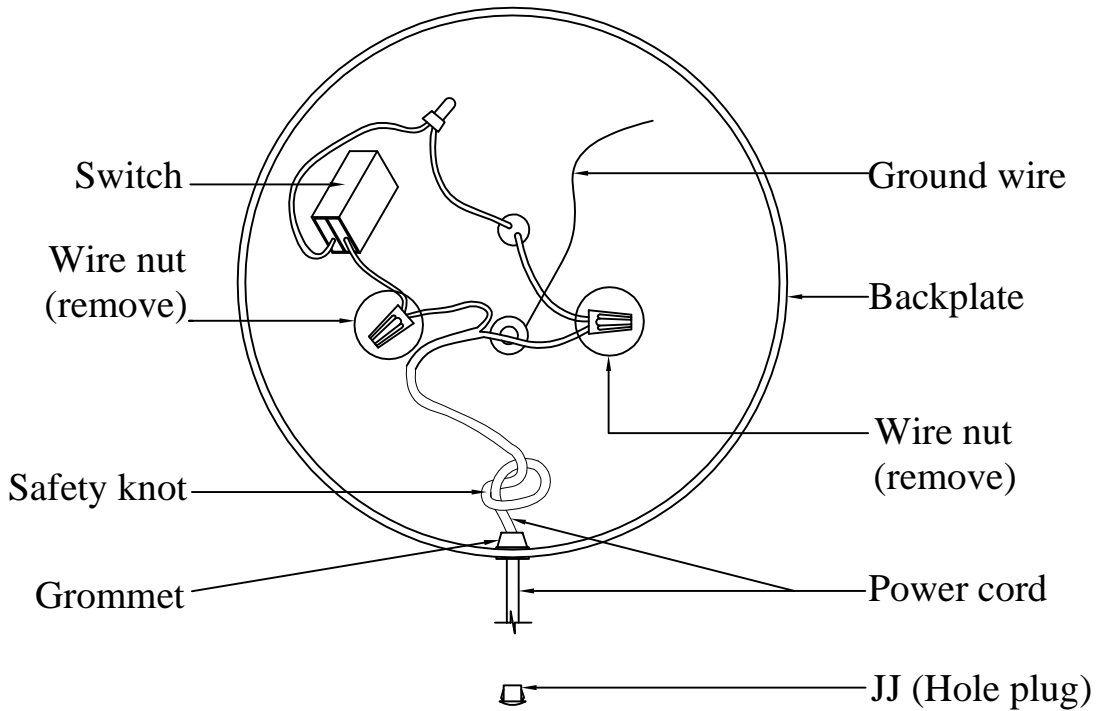


Outlet box installation instructions

1. Removing the power cord

The power cord is the wire that enters through the bottom of the backplate.

- Remove the two wire nuts that connect to power cord by twisting counter clockwise. (see diagram)
- Untie safety knot and pull power cord out through bottom of the backplate.
- Remove the grommet and use the hole plug (JJ) to cover the hole in backplate.

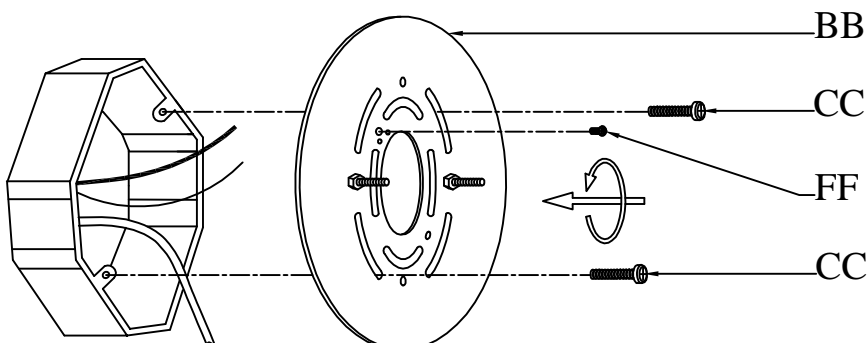


2. Installing the mounting plate



CAUTION: Ensure the power is off at the main fuse box prior to beginning installation.

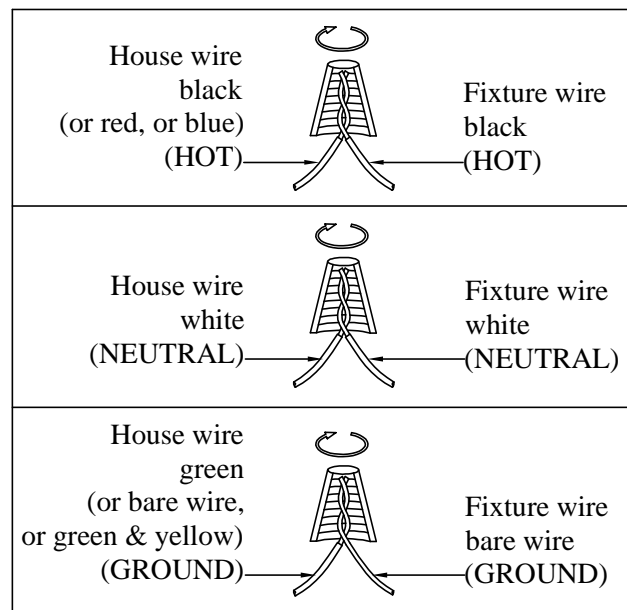
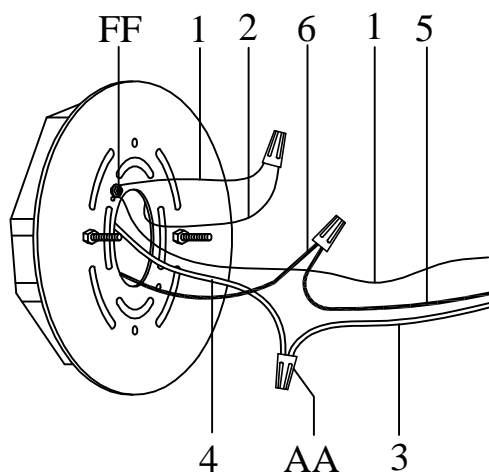
- Turn off the switch at the wall.
- Turn the power off at the main fuse box.
- Screw green ground screw (FF) onto mounting plate (BB), do not tighten the green ground screw (FF).
- Attach the mounting plate (BB) to the outlet box and use two outlet box screws (CC) to secure it.



Outlet box installation instructions (continued)

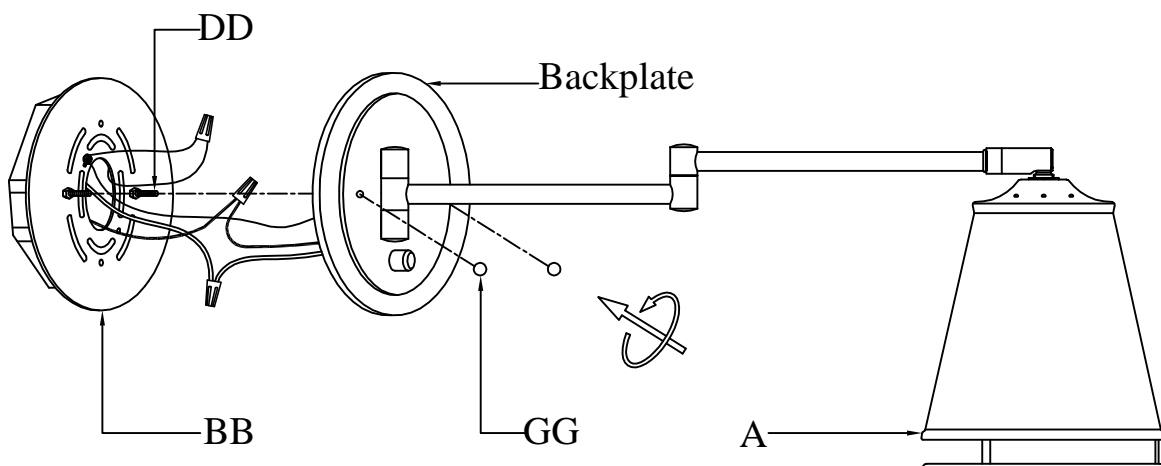
3. Connecting the wires

- Install the fixture bare copper wire (1) under the green ground screw (FF) on the mounting plate (BB).
- Connect the fixture bare copper wire (1) to the green (or bare, or green & yellow) supply ground wire (2) in the outlet box using a wire nut (AA).
- Connect the white fixture wire (3) to the white (or ribbed) supply wire (4) in the outlet box using a wire nut (AA).
- Connect the black fixture wire (5) to the black (or red, or blue) supply wire (6) in the outlet box using a wire nut (AA).



4. Hanging the lamp body

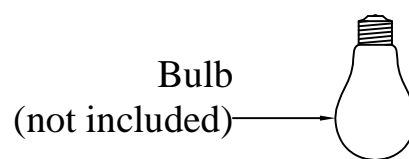
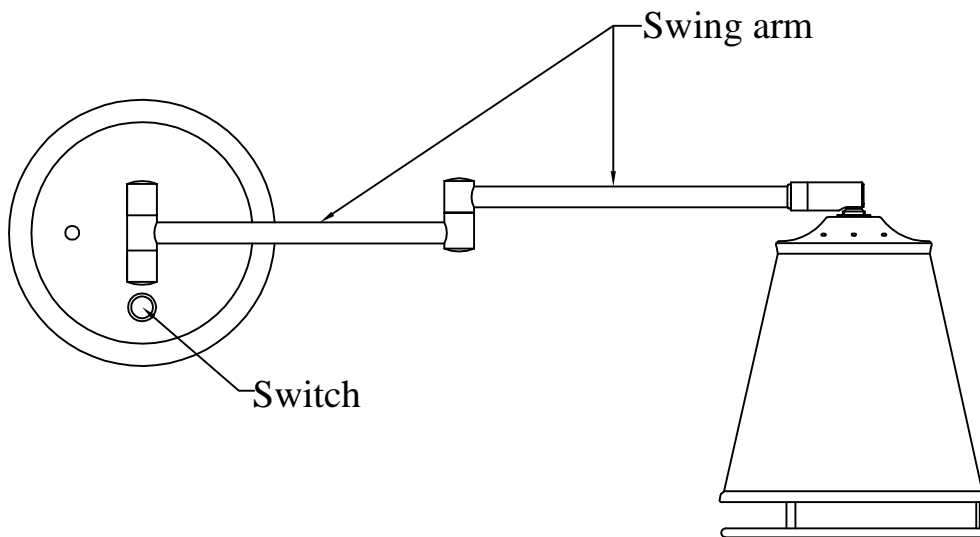
- Raise the lamp body (A) to wall, align the holes in backplate with the mounting screws (DD), and then secure the backplate to the wall with two ball finials (GG).



Outlet box installation instructions (continued)

5. Installing the bulb

- Swing the swing arm, if the swing arm is hard to swing or have abnormal sound, put a drop of WD-40 or similar product on the joint and let it sit overnight. dry with a soft cloth.
- Prior to installing the bulb, inspect socket for silica packet. If packet is present, then remove and throw away. Do not expose it to children or pets.
- Install one 120V, 60Hz, 60-watt max. medium-base type A bulb (not included) in to the socket of the light lamp.
- Restore power and turn on at switch, your new lamp is now ready for use.



Important safety instructions

This portable lamp has a polarized plug (one blade is wider than the other) as a feature to reduce the risk of electric shock. This plug will fit in a polarized outlet only one way. If the plug does not fit fully in the outlet, reverse the plug. If it still does not fit, contact a qualified electrician. never use with an extension cord unless plug can be fully inserted. Do not alter the plug.

Care and Cleaning

Clean the lamp with a soft, dry cloth. Do not use any cleaners with chemicals, solvents, or harsh abrasives.

Troubleshooting

| Problem | Possible Cause | Solution |
|--|---|---|
| The bulb will not light. | <input type="checkbox"/> The bulb is burned out. | <input type="checkbox"/> Replace the light bulb. |
| | <input type="checkbox"/> The power is off. | <input type="checkbox"/> Ensure that the power supply is turned on. |
| | <input type="checkbox"/> Did not insert plug into power outlet. | <input type="checkbox"/> Ensure that the plug is fully and properly inserted into the power outlet. |
| | <input type="checkbox"/> The circuit breaker is off. | <input type="checkbox"/> Ensure that the circuit breaker is set in the on position. |
| The fuse blows or a circuit breaker trips when the light is turned on. | <input type="checkbox"/> There is an exposed wire. <input type="checkbox"/> There are too many items on one circuit. | <input type="checkbox"/> Discontinue use of the lamp. <input type="checkbox"/> Contact a qualified electrician or call the Customer Service Team at 904-642-4340. <input type="checkbox"/> Unplug other items on the circuit. |




ALL • TOGETHER • BETTER



www.kenroyhome.com

CUSTOMER SUPPORT TEAM

For any additional questions or concerns please contact our Customer Support Team:

 **904-642-4340**

 **@KenroyHome**

 **customerorders@kenroyhome.com**