

ADL8

8" Architectural LED Downlight

Product Description

NICOR's architectural LED downlights are energy efficient and environmentally responsible, allowing you to light larger commercial spaces with peace of mind. The ADL offers high efficacy and exceptional color rendering, making this luminaire an ideal choice in places such as corridors, conference rooms, lobbies, and large offices. The ADL is available in a range of color temperatures with lumen options to fit any project.

Construction

- Durable galvanized steel frame, with architectural mounting bracket
- Aluminum heat sink routes heat away from electrical components

Optical System

- Highly reflective optical cone and textured diffuser create a uniform distribution of light

Electrical

- Utilizes high performing LED's with 88 CRI
- Driver delivers full-range dimming from 0 - 10VDC
- External driver ensures steady performance and long lifespan
- Operating temperature rating of 0°F to 120°F (-18°C to 49°C)
- 120-277V Input voltage
- TM-21 Projected L70(10K) life > 50,000 hrs
- LM-80 testing performed in accordance to IESNA standards

Finish

- Satin reflector with white trim ring

Installation

- Butterfly-style architectural mounting brackets accept C-channel or flat bar hangers as well as 1/2" EMT for tie-down to ceiling grid

Warranty

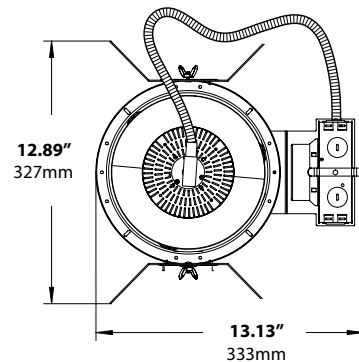
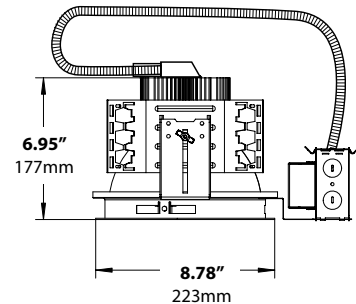
- 5-year limited system warranty standard
- Warranty does not cover product failure due to an overvoltage event (power surge.)
For installations where power surge may be possible, NICOR recommends installing additional surge protection at the fixture or electrical distribution panel

Project

Catalog

Type

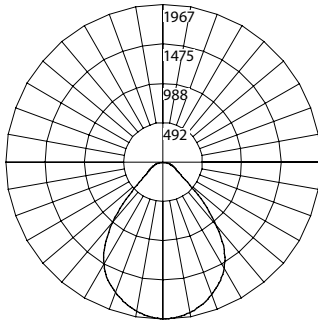
Date



Photometric Data

ADL8 3500K 40W

Input Voltage (VAC)	120-277V
System Level Power (W)	42.0
Delivered Lumens (Lm)	3323
System Efficacy (Lm/W)	73.9
Correlated Color Temp (K)	3466
Color Rendering Index (CRI)	88
Beam Angle	121.9°
Spacing Criteria	1.16



Intensity Summary (Candle Power)

Angle	Mean CP
0	1965
5	1952
15	1845
25	1654
35	1308
45	693
55	256
65	156
75	90
85	23
75	1

CCT Data Multiplier

ADL6-1028-UNV-40K	1.022
ADL6-1028-UNV-50K	1.045

Cone of Light Tabulation

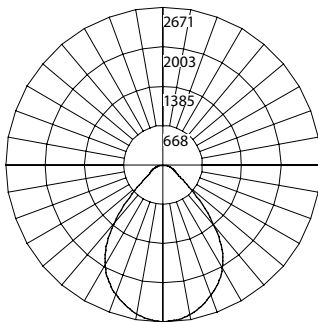
Mounted height (Feet)	Footcandles Beam Center	Diameter (Feet)
4	122.8	4.7
6	54.6	7.0
8	30.7	9.3
10	19.6	11.6
12	13.6	14.0
14	10.0	16.3
16	7.7	18.6

Zonal Lumen Summary

Zone	Lumens	% of Luminaire
0-30	1463	44.0%
0-40	2269	68.3%
0-60	3046	91.7%
0-90	3323	100.0%
90-180	0	0.0%
0-180	3323	100.0%

ADL8 3500K 52W

Input Voltage (VAC)	120-277V
System Level Power (W)	53.8
Delivered Lumens (Lm)	4393
System Efficacy (Lm/W)	81.7
Correlated Color Temp (K)	3471
Color Rendering Index (CRI)	88
Beam Angle	119.9°
Spacing Criteria	1.16



Intensity Summary (Candle Power)

Angle	Mean CP
0	2666
5	2646
15	2487
25	2205
35	1720
45	912
55	335
65	201
75	113
85	27
75	1

CCT Data Multiplier

ADL8-1052-UNV-40K	1.031
ADL8-1052-UNV-50K	1.041

Cone of Light Tabulation

Mounted height (Feet)	Footcandles Beam Center	Diameter (Feet)
4	166.6	4.6
6	74.0	6.9
8	41.7	9.1
10	26.7	11.4
12	18.5	13.7
14	13.6	14.0
16	10.4	18.3

Zonal Lumen Summary

Zone	Lumens	% of Luminaire
0-30	1962	44.7%
0-40	3021	68.8%
0-60	4042	92.0%
0-90	4392	100.0%
90-180	0	0.0%
0-180	4393	100.0%

Fixture tested per LM-79-08. Photometric data is of the performance of a representative fixture. Results may vary in the field.

Performance Data

Model Number	Lumens	Watts	Lumens/Watt
ADL8-1040-UNV-35K	3323	42.0	73.9
ADL8-1040-UNV-40K	3426	42.0	81.6
ADL8-1040-UNV-50K	3460	42.0	82.4
ADL8-1052-UNV-35K	4393	53.8	81.7
ADL8-1052-UNV-40K	4528	53.8	84.2
ADL8-1052-UNV-50K	4574	53.8	85.0

Recommended Dimmers*

- Lutron NTSTV
- Lutron DVSTV
- Cooper SF10P
- Legrand RH4FBL3PW

*Not a complete list. Check compatibility before installation.

Ordering Information

Example: ADL8-1040-UNV-40K-E1

Series	Watts	Voltage	CCT's	Emergency
ADL8	1040 (28W)	UNV (120-277V)	35K (3500 K)	E1 (EMB45)
	1052 (40W)		40K (4000 K)	E2 (EMB80)
			50K (5000 K)*	E3 (EMB250)

Specifications and dimensions subject to change without notice.

*Only available as special order. Contact NICOR for more info.

Accessories

accessories sold separately

24" C-Channel Bar Hanger	17208
Universal C-Channel Bar Hanger for Mounting to Stud or T Grid	ADJUSTCCHNLHANGERBAR