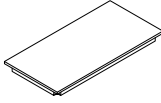
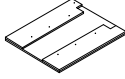
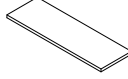

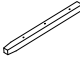
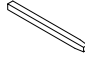













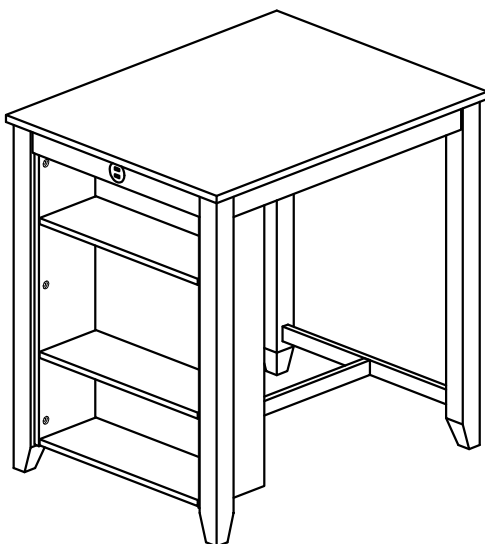


ASSEMBLY INSTRUCTION

COUNTER HEIGHT TABLE

A Table Top 1 pc 	B Table Storage Panel 1 pc 	C Table Shelf 3 pcs 	D Left Front Leg 1 pc 
E Right Front Leg 1 pc 	F Left Back Leg 1 pc 	G Right Back Leg 1 pc 	H Long Stretcher 1 pc 
I Short Stretcher 1 pc 	J Lock Washer 1/4" 1 pc 	K Flat Washer 1/4" 1 pc 	L Bolt 1/4"*1-1/4" 1 pc 
M Lock Washer 5/16" 1 pc 	N Flat Washer 5/16" 8 pcs 	O Bolt 5/16"*2-3/8" 8 pcs 	P Shelf Bracket Φ6 8 pcs 
Q Wood Screw #8*1/2" 8 pcs 	R Wood Screw #8*1-1/2" 8 pcs 	S Allen Wrench 4mm 8 pcs 	12 pcs
12 pcs	4 pcs	1 pc	



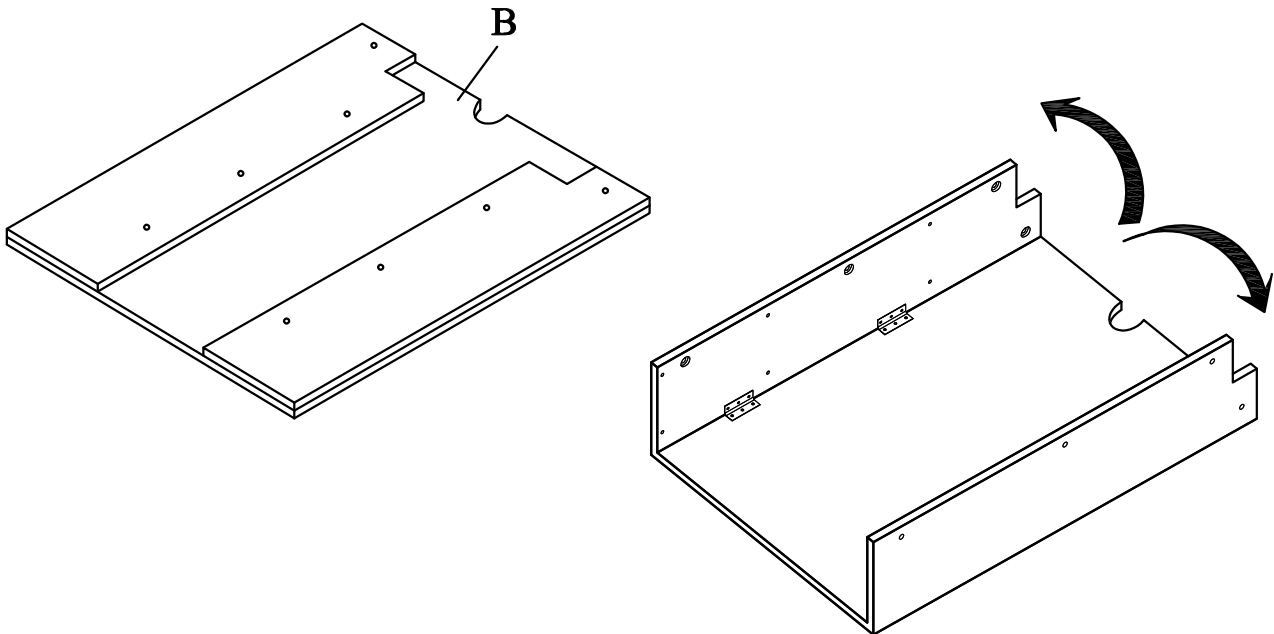
This page lists all the contents included in the box. Please take the time to identify the hardware as well as the individual components to this product. As you unpack and prepare for assembly, place the contents on a carpeted or padded area to protect them from damage.

IMPORTANT NOTE:

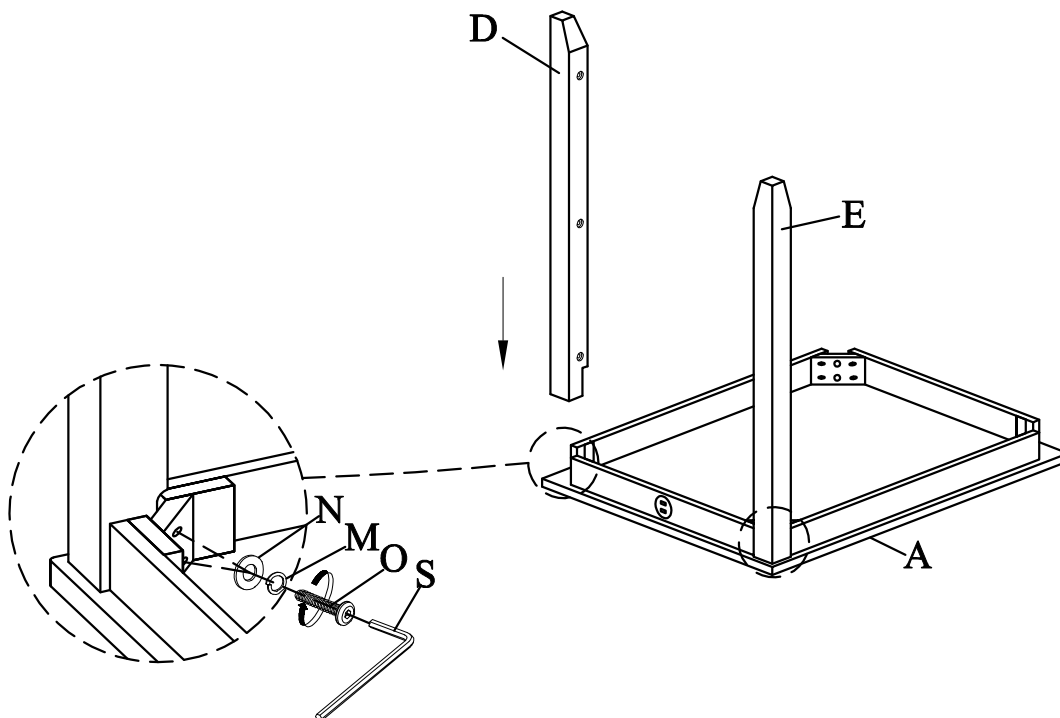
1. Do not tighten all screws / bolts until all completely assembled.
2. Keep all hardware parts out of reach of children.

1

Place Table Storage Panel (B) on a piece of cloth to prevent finish from scratching and open.

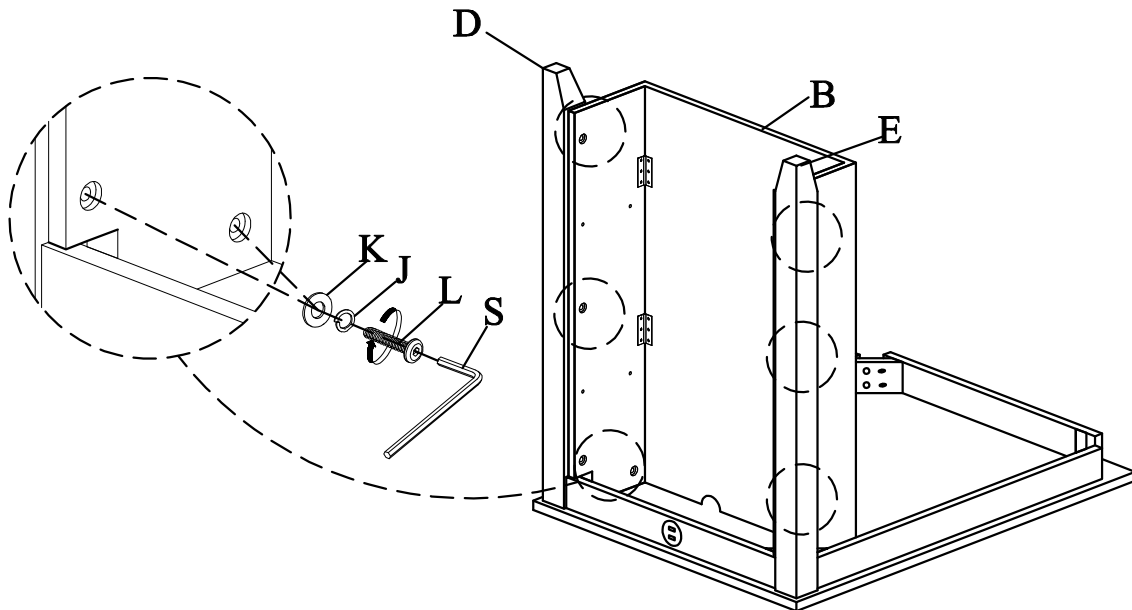
**2**

Place Table Top (A) on a piece of cloth to prevent finish from scratching. Attach Left Front Leg (D) & Right Front Leg (E) to the corner block of Table Top (A) and secure with Flat Washer (N), Lock Washer (M), Bolt (O) and tighten with Allen Wrench (S).

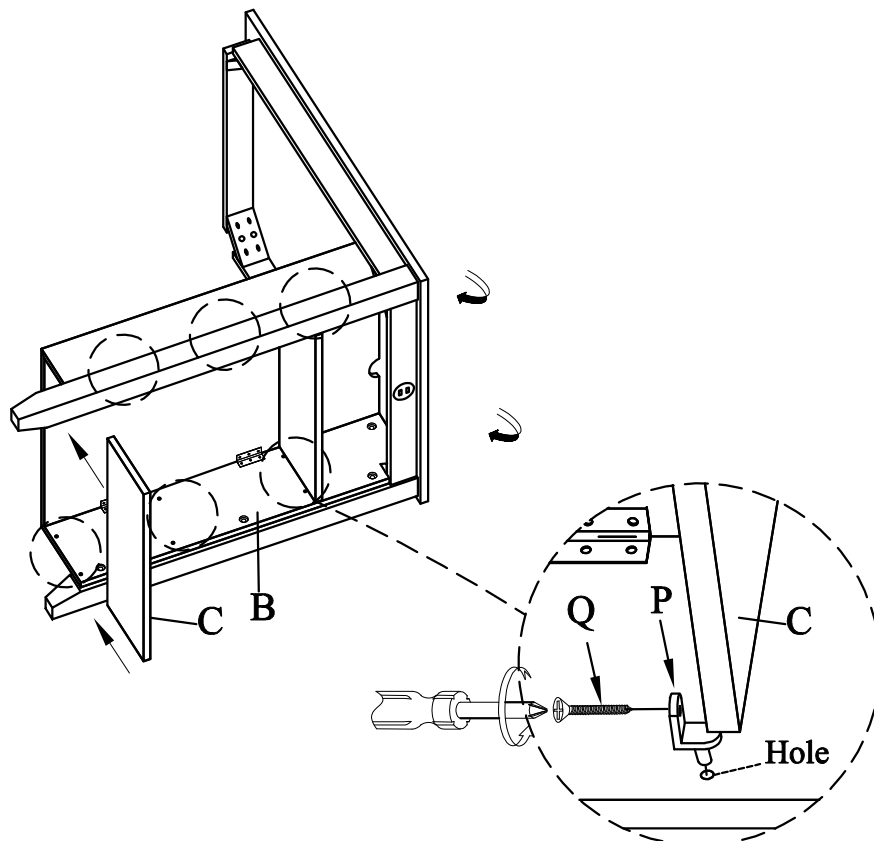


3

Insert Table Storage Panel (B) on to Left Front Leg (D) & Right Front Leg (E) and secure with Flat Washer (K), Lock Washer (J), Bolt (L) and tighten with Allen Wrench (S).

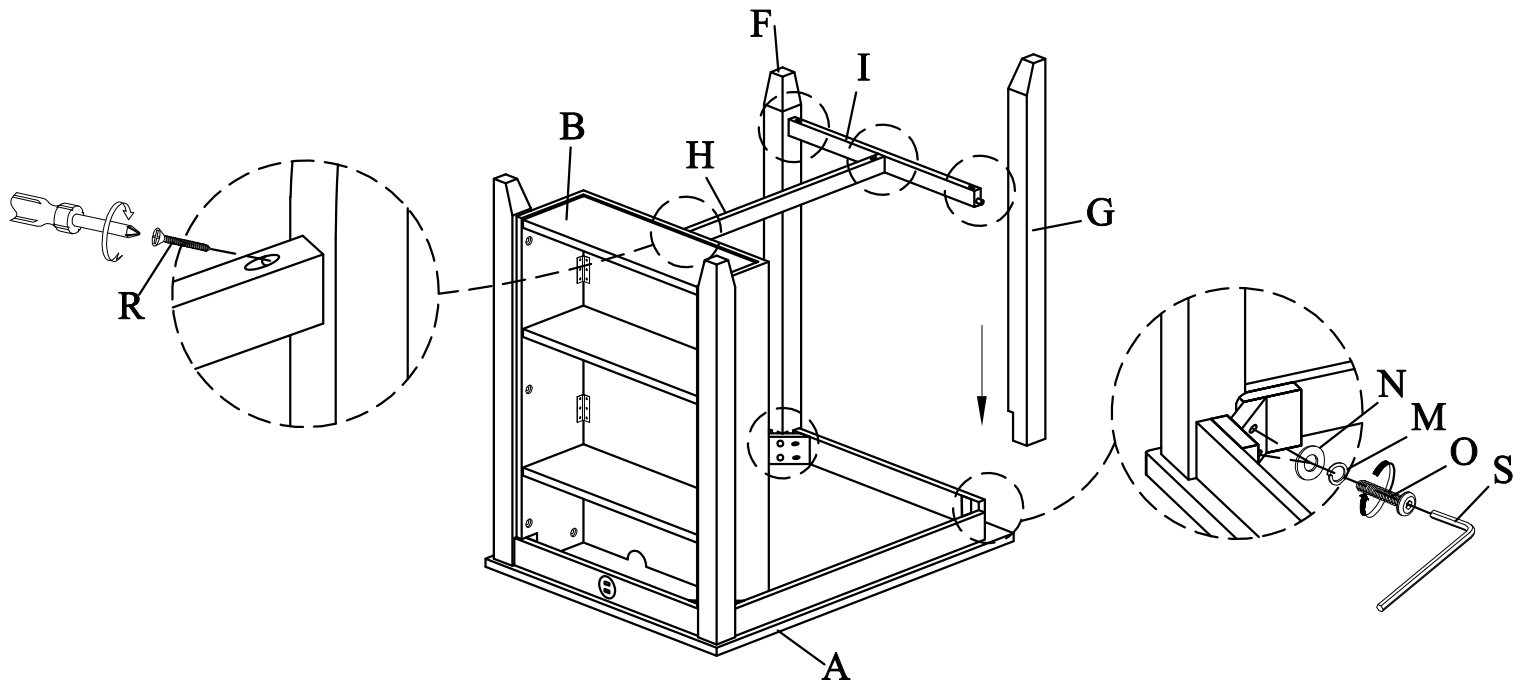
**4**

Insert Shelf Bracket (P) to the holes on Table Storage Panel (B). Place Table Shelf (C) on to the Shelf Bracket (P) and secure it with Wood Screw (Q) using Philips Head Screwdriver (not provide).

**3**

5

Attach Left Back Leg (F) and Right Back Leg (G) to the corner block of Table Top (A), secure with Flat Washer (N), Lock Washer (M), Bolt (O) and tighten it with Allen Wrench (S). Attach Long Stretcher (H) to Table Storage Panel (B) and Short Stretcher (I), and attach Short Stretcher (I) to Left Back Leg (F), Right Back Leg (G), then insert Wood Screw (R) to the holes at Stretcher (H & I) and tighten all screws using Philips Head Screwdriver (not provide).



Cleaning & Care

Treat surface with care. Surface is resistant to scratches but is not scratch resistant. Clean surfaces with a dry or damp soft cloth. Do not use abrasive cleaners. Hardware may loosen over time. Periodically check that all connections are tight.