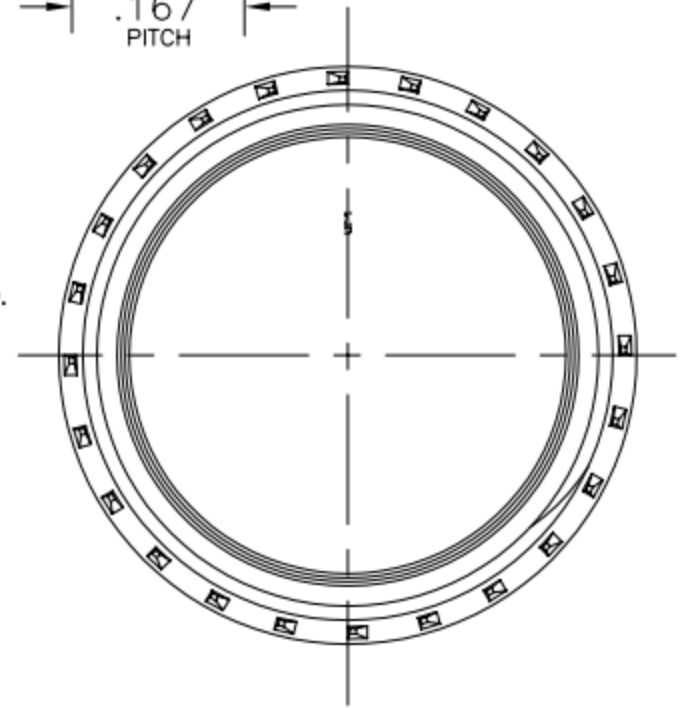
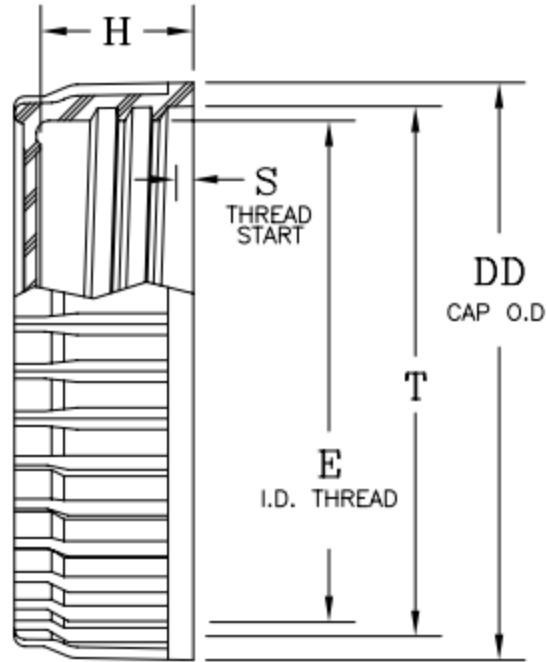
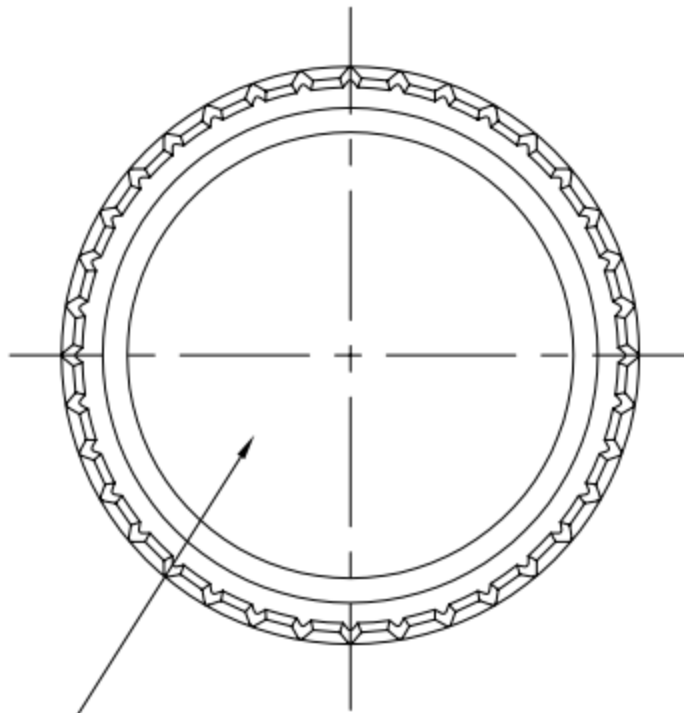
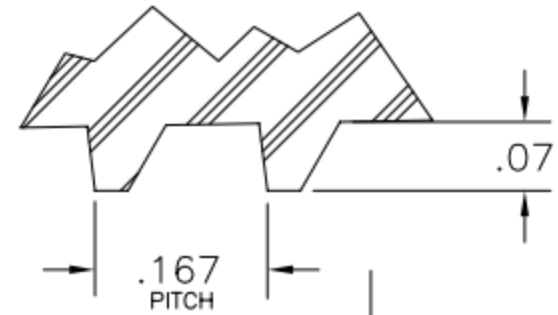


NOTE: THE CAP IS SHOWN WITHOUT A LINER

LINER #	LINER DESCRIPTION
502	F217 FOAM



Ⓟ OPTION: PRINTING OR EMBOSsing TO CUSTOMER REQUIREMENTS

ITEM	DD	E	H	S	T
SPEC.	$\phi 2.757 \pm .012$	$\phi 2.389 \pm .011$	$.725 \pm .008$	$.070 \pm .015$	$\phi 2.541 \pm .013$

NOTE:

THE MATERIALS USED MEETS FDA REQUIREMENTS DEPENDING ON COLOR

DISCLAIMER

THIS INFORMATION IS PROVIDED AS A GENERAL GUIDE, INCLUDING DIMENSIONS. IT IS THE CUSTOMER'S RESPONSIBILITIES TO SELECT THE PROPER CONTAINER FOR PRODUCT AND APPLICATION COMPATIBILITY.

DISTRIBUTED BY:



REF NO.:

DWG30446

DESCRIPTION:

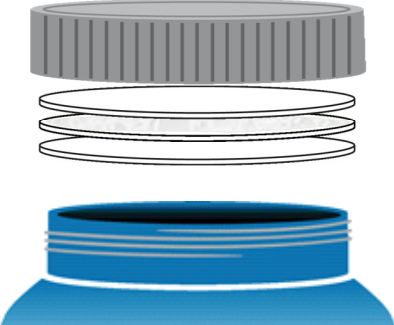
63 mm PP Screw Cap with F217 Foam Liner

F-217®

- F-217® is a coextruded primary liner consisting of a foamed Low-Density Polyethylene (LDPE) core with solid Low-Density Polyethylene (LDPE) layers on both sides.
- Does not promote microbial growth.

Typical Product Attributes

Construction

<p>Solid LDPE Foamed LDPE Solid LDPE</p>		<p>SI (µm) Total Thickness 508 – 3175</p>	<p>US (mils) Total Thickness 20 - 125</p>
--	--	---	---

Properties

<p>Color Opacity Density 508 – 762 µm 20 – 30 mil 889 – 3175 µm 35 – 125 mil Thickness Tolerance 508 – 1524 µm 20 – 60 mil 1650 – 2290 µm 65 – 90 mil 2410 – 3180 µm 95 – 125 mil Available Widths 508 – 1520 µm 20 – 60 mil 1650 – 3180 µm 65 – 125 mil Width Tolerance</p>		<p>White or as specified Opaque 480 ± 30 kg/m³ 400 ± 30 kg/m³ ± 127 µm ± 178 µm ± 254 µm 25 – 1016 mm 25 – 228 mm ± 1,6 mm</p>	<p>White or as specified Opaque 30 ± 2 lb./ft³ 25 ± 2 lb./ft³ ± 5 mil ± 7 mil ± 10 mil 1 – 40 in 1 – 9 in ± 0.0625 in</p>
--	--	--	---

Regulatory Compliance

<p>FDA Compliance Drug Master File (DMF) Other Compliances Safety Data Sheet (SDS) Statement</p>	<p>21 CFR 177.1520 Olefin polymers. 21 CFR 177.1210 Closures with sealing gaskets for food containers. 002434 USFDA Food Allergen Guidelines California Proposition 65 Labeling Requirements Limitations of Heavy Metals in Packaging per CONEG & EU 94/62/EC, Article 11 Meets the compositional requirements of Regulation (EU) 10/2011 on plastic materials and articles intended to come into contact with food Safety Data Sheets (SDS) are not required for articles as defined in 29 CFR 1910.1200, the OSHA Hazard Communication Standard (HazCom). This product is an article as defined by HazCom and is not considered to be, or to contain, a hazardous chemical based on evaluations made by our company.</p>
--	--

Please note that construction does not reflect adhesive or resin bonding layers, if present.

VERSION	9	DATE	2021-07-26
---------	---	------	------------

DISCLAIMER

THIS INFORMATION IS PROVIDED AS A GENERAL GUIDE, INCLUDING DIMENSIONS. IT IS THE CUSTOMER'S RESPONSIBILITIES TO SELECT THE PROPER CONTAINER FOR PRODUCT AND APPLICATION COMPATIBILITY.

DISTRIBUTED BY:



REF NO.:

DWG30446

DESCRIPTION:

63 mm PP Screw Cap with F217 Foam Liner