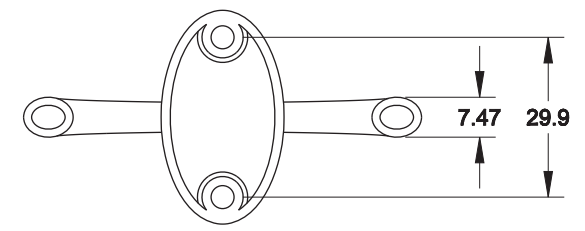
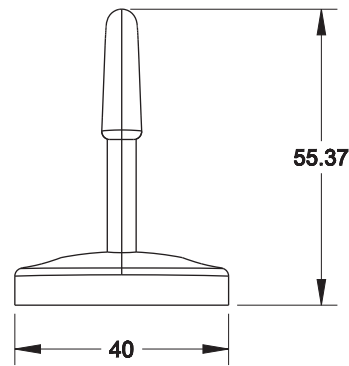
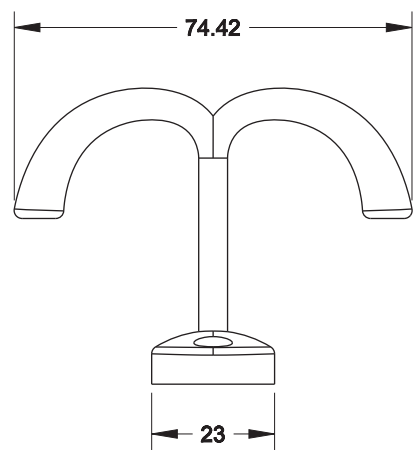
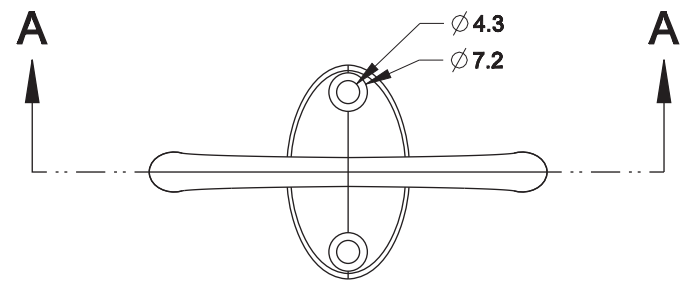


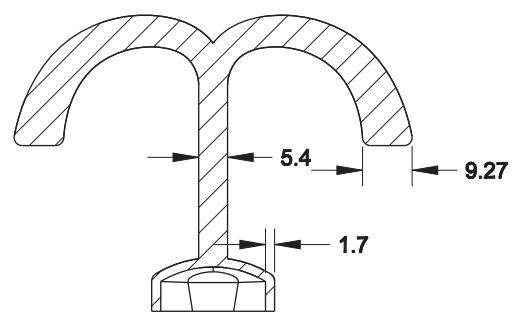
THE INFORMATION CONTAINED IN THIS DRAWING IS THE SOLE PROPERTY OF HARDWARE RESOURCES INC. ANY REPRODUCTION IN PART OR AS A WHOLE WITHOUT THE WRITTEN PERMISSION OF HARDWARE RESOURCES INC. IS PROHIBITED.

- NOTES:  
 1. DRAWN IN ACCORDANCE WITH ASME Y14.5M  
 2. REMOVE ALL BURRS AND SHARP EDGES  
 3. ALL FILLETS AND ROUNDS R 0.05 UNLESS OTHERWISE SPECIFIED

REVISIONS				
ECO	REV	DESCRIPTION	DATE	APPROVED
#####	A		05-01-15	HRS1



BOTTOM VIEW



SECTION A-A

UNLESS OTHERWISE SPECIFIED DIM ARE IN MILLIMETERS (mm)

GENERAL TOLERANCES	
0.00 - 14.99	± 0.10
15.00 - 39.99	± 0.20
40.00 - 74.99	± 0.30
75.00 - 99.99	± 0.45
100.00 - 199.99	± 0.70
200.00 - 299.99	± 1.00
300.00 -	± 1.10
ANGLE	± 1.0°

THIRD ANGLE PROJECTION	
MATERIAL	FINISH
DRAWN BY	DATE
<i>Hugo Cai</i>	04-25-14
DESIGNED BY	DATE
APPROVED BY	DATE

**hardware resources**

TITLE

**RH04-PC**

DRAWING NUMBER	REV
	proi_revision
SIZE	RELEASE LEVEL
A3	SCALE 1:1
	SHEET 1 OF 1

					REV
					SHT