

KALLISTA®

KALLISTA Toilet Seat P70303-AD

Features

- A selection of products within this collection is in stock and ready to ship. Please visit kallista.com/resources#ReadyToShip for the complete list of Ready-to-Ship products and finishes
- High density molded wood construction
- High-quality solid-brass hinges for durability and reliability
- Includes slow-close hinges
- Ergonomically contoured for maximum comfort
- Elongated shape

Recommended Products/Accessories

- P70300-00 Two-Piece High-Performance Toilet, Less Seat
- P70304-00 Classic flush handle finish upgrade



Codes/Standards

None Applicable

KALLISTA® Five-Year Limited Warranty

See website for detailed warranty information.

Available Colors/Finishes

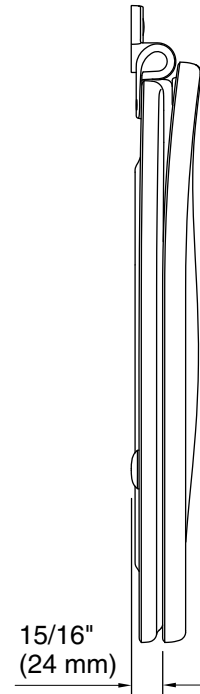
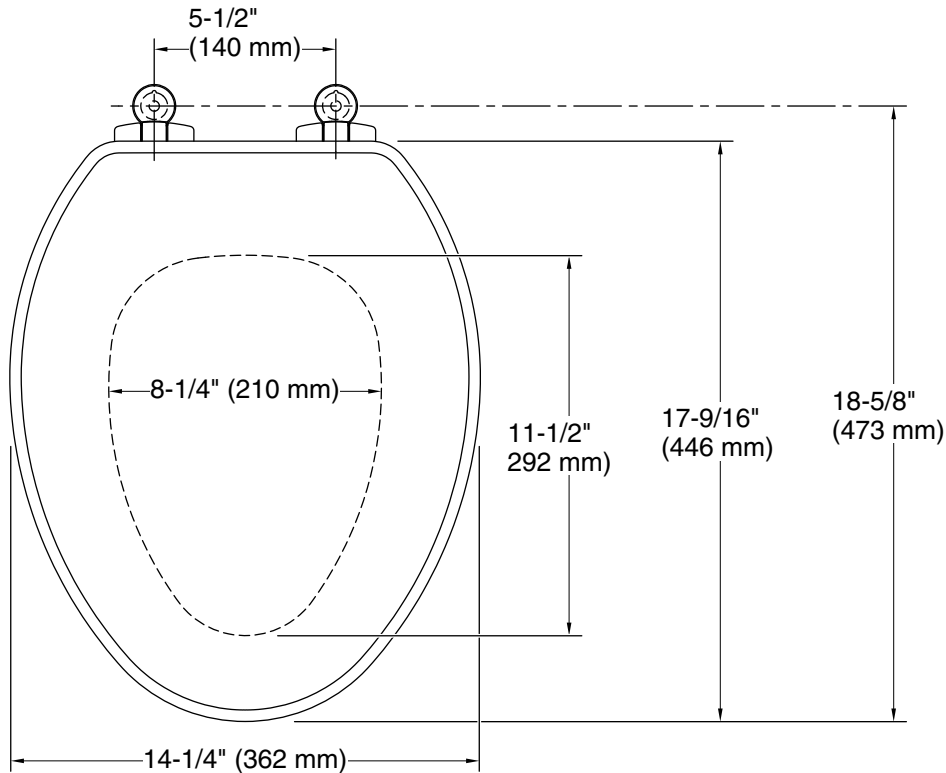
Color tiles intended for reference only.

Color	Code	Description
-------	------	-------------

	0	Stucco White
---	---	--------------

KALLISTA

KALLISTA
Toilet Seat
P70303-AD



Technical Information

All product dimensions are nominal.

Seat shape type: Elongated

Seat front type: Closed-front

Pressure/fixture Supply Requirements

1-888-4-KALLISTA (1-888-452-5547)

Kallista reserves the right to make revisions without notice to product specifications.

For the most current Specification Sheet, go to www.kallista.com.

3-2-2026 19:59 - US