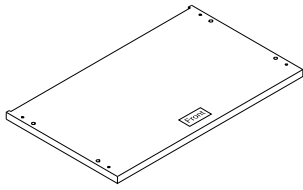
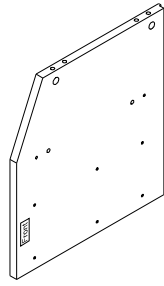


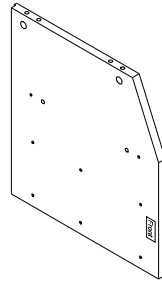
PARTS LIST



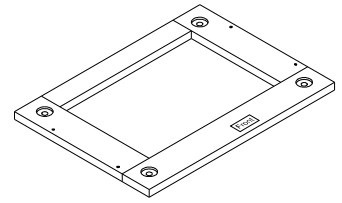
NAME: TOP PANEL
CODE: 1
QTY: 1Pc



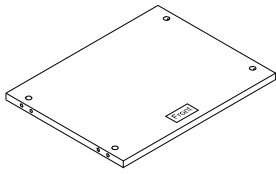
NAME: SIDE PANEL(LEFT)
CODE: 2
QTY: 1Pc



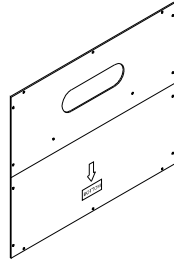
NAME: SIDE PANEL(RIGHT)
CODE: 3
QTY: 1Pc



NAME: BOTTOM FRAME
CODE: 4
QTY: 1Pc



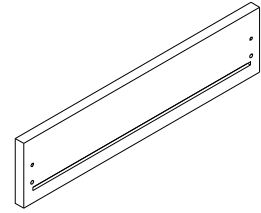
NAME: CENTER PANEL
CODE: 5
QTY: 1Pc



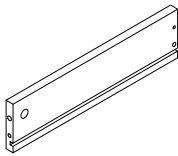
NAME: BACK PLYWOOD
CODE: 6
QTY: 1Pc



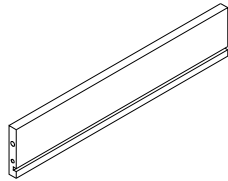
NAME: LEG
CODE: 7
QTY: 4Pcs



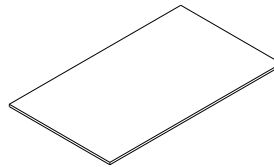
NAME: DRAWER FRONT
CODE: 101
QTY: 2Pcs



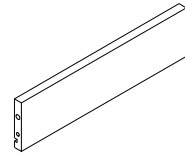
NAME: DRAWER SIDE(LEFT)
CODE: 102
QTY: 2Pcs



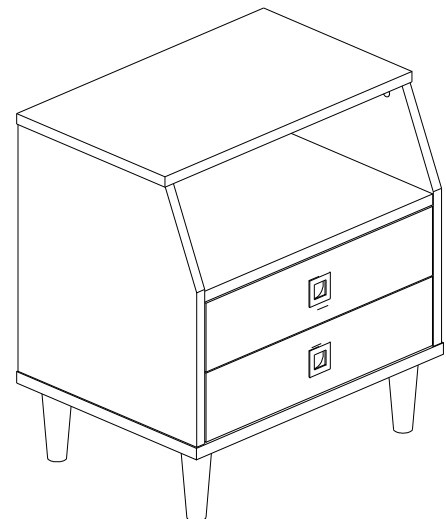
NAME: DRAWER BACK
CODE: 103
QTY: 2Pcs



NAME: DRAWER BASE
CODE: 104
QTY: 2Pcs



NAME: DRAWER SIDE(RIGHT)
CODE: 105
QTY: 2Pcs



2 DRAWER NIGHTSTAND

-THE UNIT SHOULD BE ASSEMBLED BY 2 OR MORE PEOPLE
-EXTRA HARDWARE INCLUDED

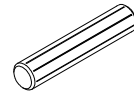
HARDWARE LIST



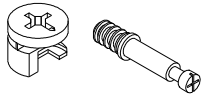
NAME: CHIPBOARD SCREW M3X16mm
 CODE: A
 QTY: 24Pcs



NAME: CHIPBOARD SCREW M4X38mm
 CODE: B
 QTY: 4Pcs



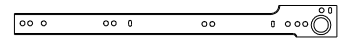
NAME: WOOD DOWEL M8X35mm
 CODE: C
 QTY: 12Pcs



NAME: CAM LOCK & CAM BOLT
 CODE: D
 QTY: 16Sets



NAME: WOOD DOWEL M6X30mm
 CODE: E
 QTY: 8Pcs



NAME: RUNNER 350mm
 CODE: F
 QTY: 2Set



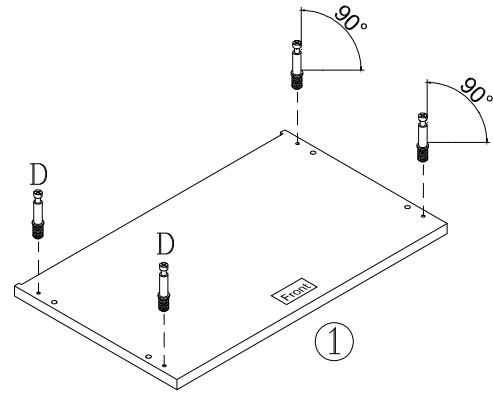
NAME: CAM LOCK COVER
 CODE: G
 QTY: 16Pcs



NAME: PANHEAD CHIPBOARD SCREW M4X16mm(BLACK)
 CODE: H
 QTY: 16Pcs

STEP 1

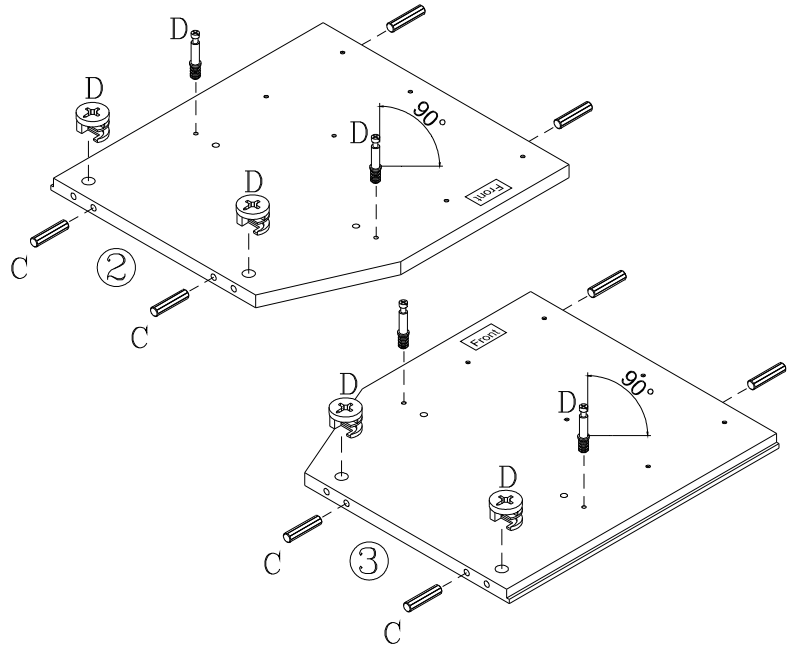
- A) Insert Cam Bolt(D) to Top Panel(1)



STEP 2

- A) Insert Wood Dowel(C) to Left&Right Side Panel(2&3)
- B) Attach Cam Lock(D) to Left&Right Side Panel(2&3)
- C) Attach Cam Bolt(D) to Left&Right Side Panel(2&3)

NOTE : Make sure arrows on each Cam Lock points towards nearest edge with holes



STEP 3

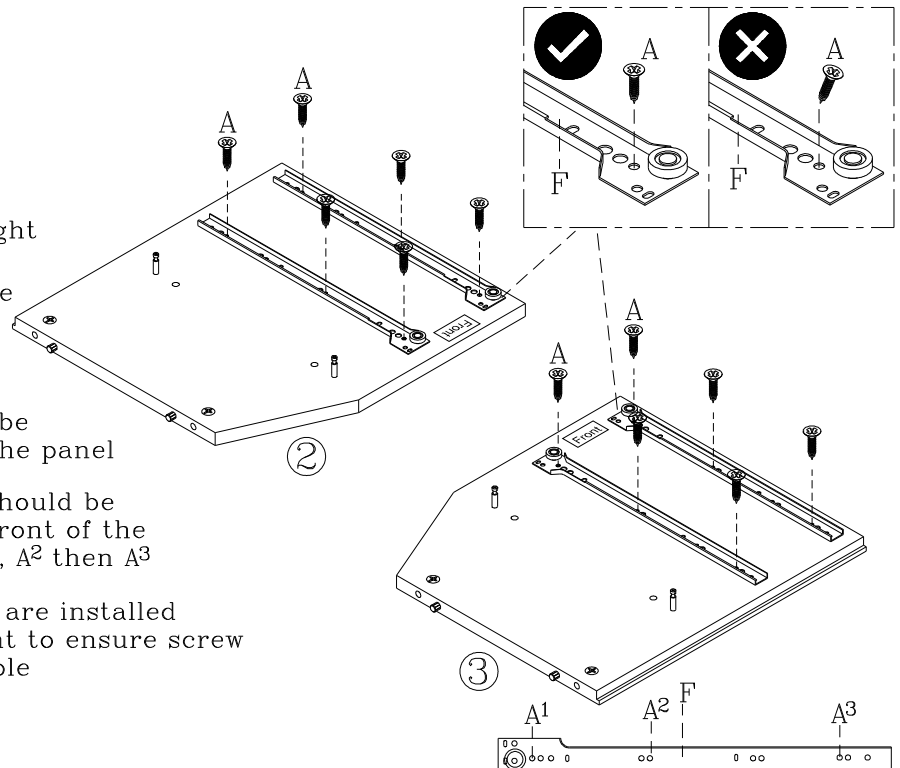
- A) Attach Runner(F) to Left&Right Side Panel(2&3) using Chipboard Screw(A) to secure

NOTE : Do not over tighten the screw

NOTE : Runner roller should be towards the front of the panel

NOTE : Chipboard Screw(A) should be assembled from the front of the runner. Start from A¹, A² then A³

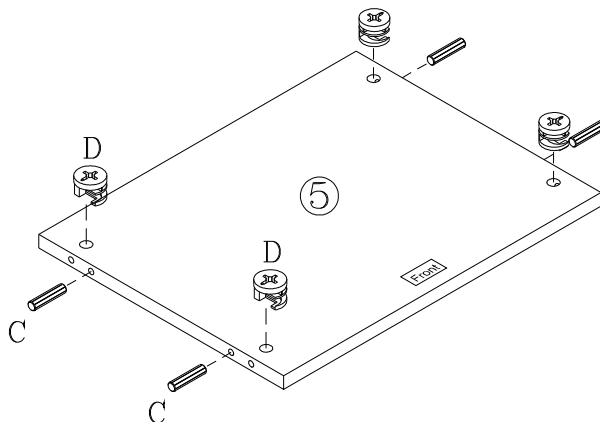
NOTE : Make sure the screws are installed vertically without slant to ensure screw sits properly in the hole



STEP 4

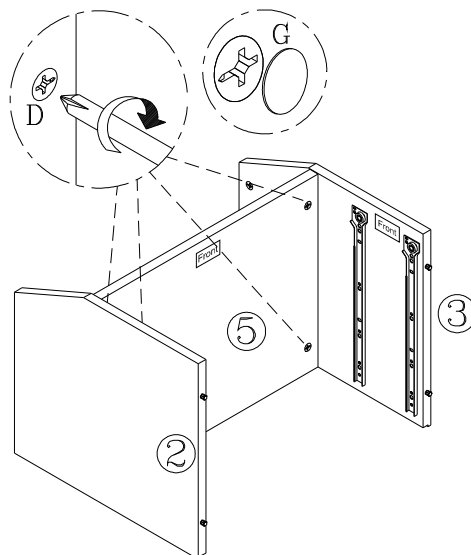
- A) Insert Wood Dowel(C) to Center Panel(5)
- B) Attach Cam Lock(D) to Center Panel(5)

NOTE : Make sure arrows on each Cam Lock points towards nearest edge with holes



STEP 5

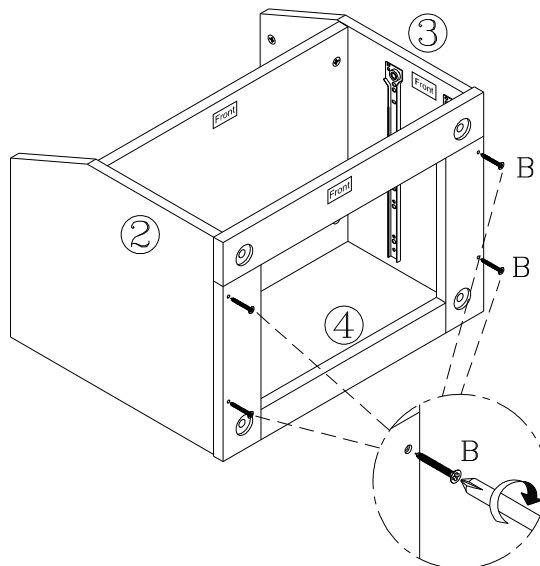
- A) Attach Center Panel(5) to Side Panel Left&Right(2&3) secure with Cam Lock(D)
- B) Cover Cam Lock with Cam Lock Cover(G)



STEP 6

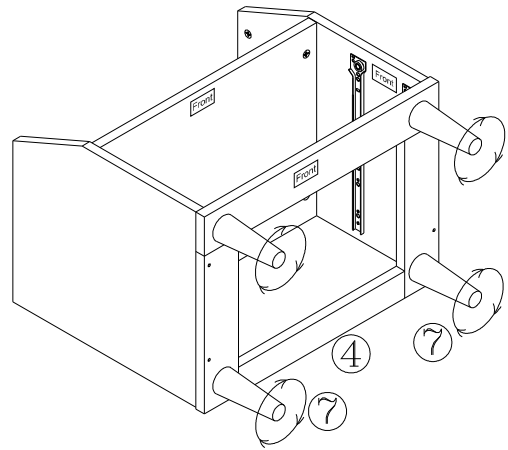
- A) Attach Bottom Panel(4) to underneath of Side Panel Left&Right(2&3) and secure with Chipboard Screw(B)

NOTE: Do not over tighten the Screw

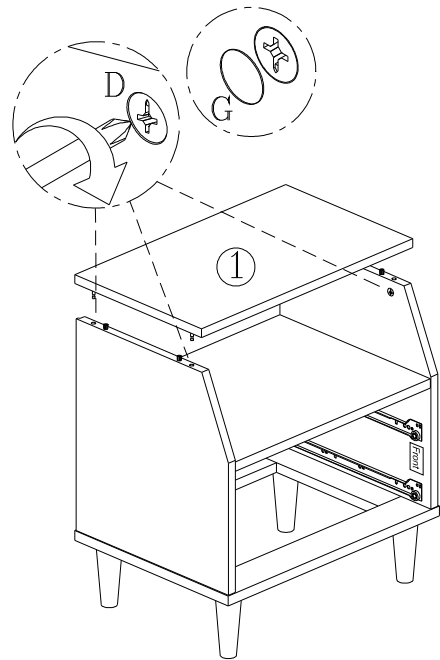


STEP 7

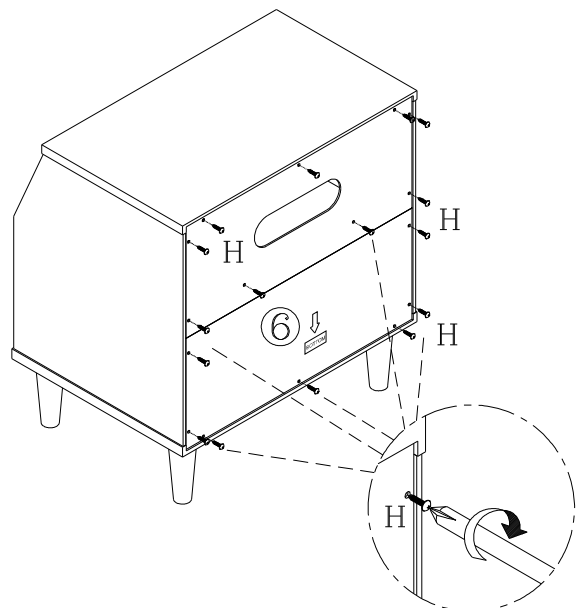
- A) Attach and secure Leg(7) to Bottom Frame(4) clockwise

STEP 8

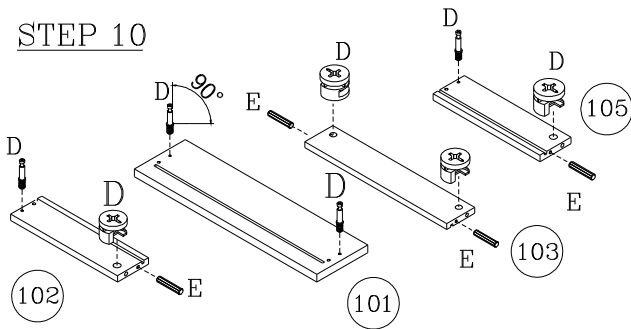
- A) Attach Top Panel(1) to Side Panel Left&Right(2&3) secure with Cam Lock(D).
- B) Cover Cam Lock with Cam Lock Cover(G)

STEP 9

- A) Attach Back Plywood(6) to assembled unit using Panhead Chipboard Screw(Black)(H) to secure

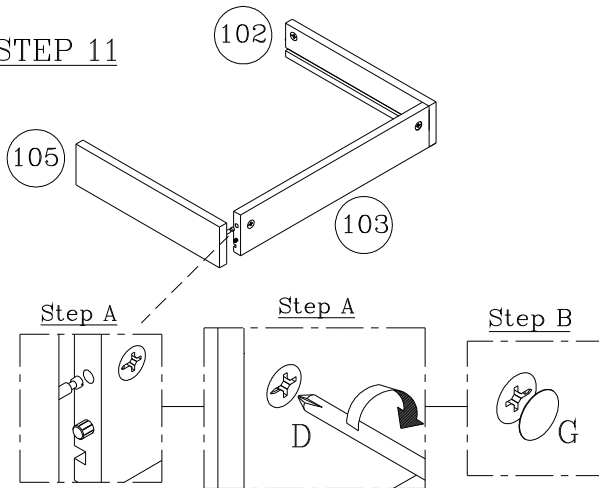


STEP 10



- A) Insert Wood Dowel(E) to Left&Right Drawer Side(102&105) & Drawer Back(103)
- B) Attach Cam Lock(D) to Left&Right Drawer Side(102&105) & Drawer Back(103)
- C) Attach Cam Bolt(D) to Drawer Front(101) & Left&Right Drawer Side(102&105)

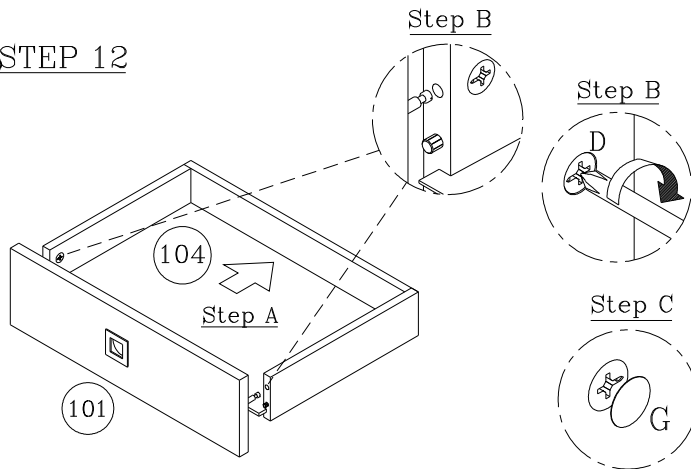
STEP 11



- A) Attach Left&Right Drawer Side(102&105) to Drawer Back(103) secure with Cam Lock(D)
- B) Using Cam Lock Cover(G) to cover Cam Lock(D)

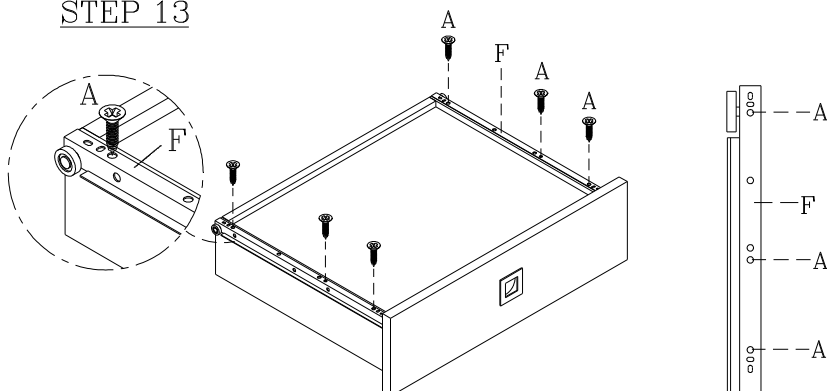
NOTE : Make sure arrows on each Cam Lock points towards nearest edge with holes

STEP 12



- A) Slot in Drawer Base(104) in corresponding grooves
- B) Attach Drawer Front(101) to Drawer Box secure with Cam Lock(D)
- C) Using Cam Lock Cover(G) to Cover Cam Lock(D)

STEP 13



- A) Turn over the Drawer box, Attach Runner(F) to Drawer Side(102&105) using Chipboard Screw(A) to secure

NOTE: Runner roller should be flush and toward the back of the Drawer Box