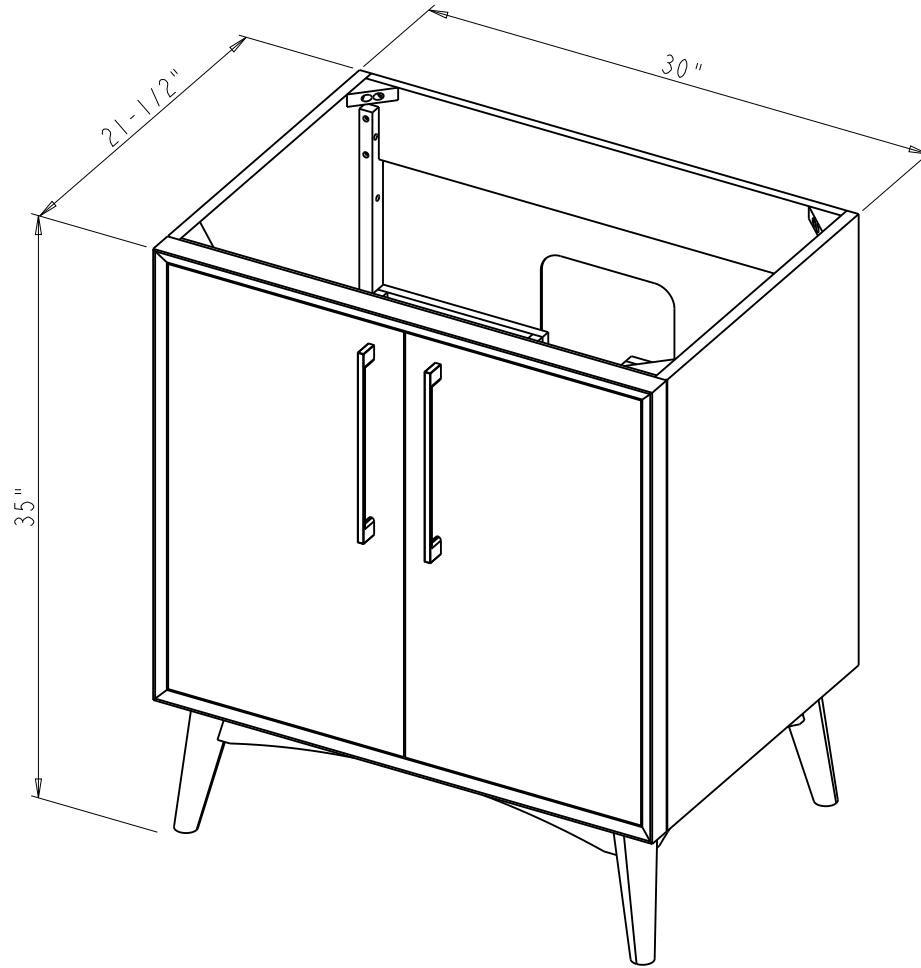



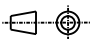
Specification:

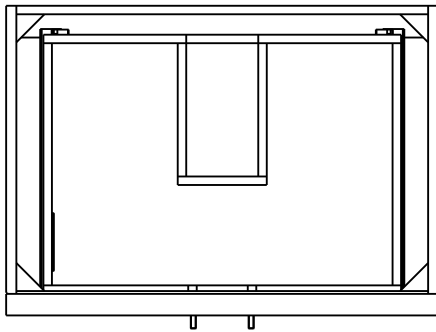
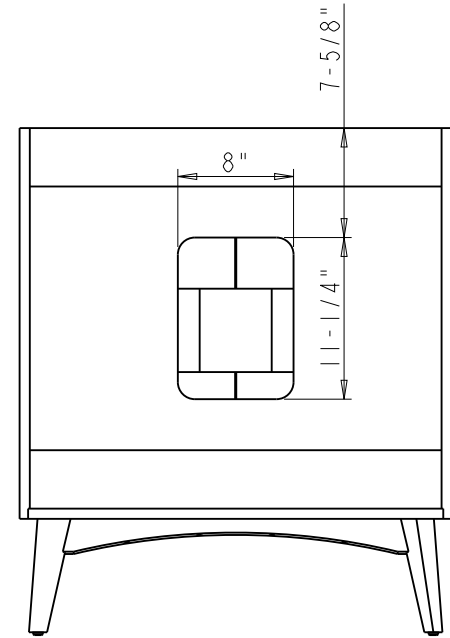
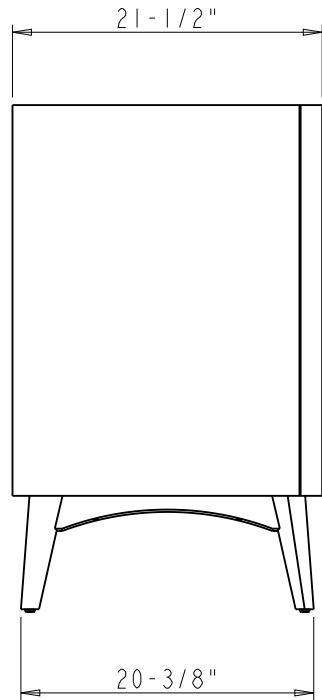
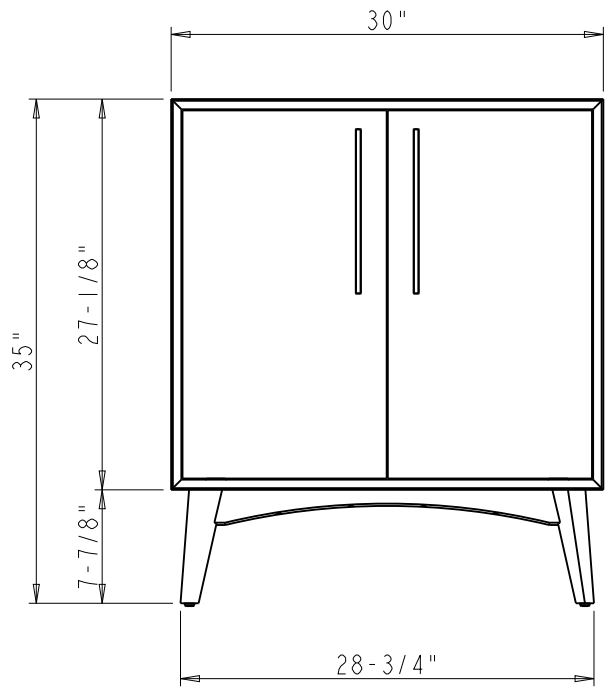
1. Finish: See Table
2. Hardware: See Table
3. Hinge: 700.0537.25 + 600.1234.05 ( 4 pcs )
4. Slide: USE58-300-18 + USCLIP2ND-4W ( 2 set )
5. leg levelers ( 4 pcs )
6. The tolerance is +/- 1/8"


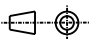
Item number	Finish	Deco Hardware	
		Item number	Qty
VN2DAS-30-DW-NT	Dark Walnut	635-256BG	2
VN2DAS-30-NO-NT	Natural Oak	635-256MB	2
VN2DAS-30-WH-NT	White	635-256BG	2
VN2DAS-30-BS-NT	Blue Steel	635-256BG	2

<p><b>PROPRIETARY AND CONFIDENTIAL</b></p> <p>THE INFORMATION CONTAINED IN THIS DRAWING IS THE SOLE PROPERTY OF HARDWARE RESOURCES INC. ANY REPRODUCTION IN PART OR AS A WHOLE WITHOUT THE WRITTEN PERMISSION OF HARDWARE RESOURCES INC. IS PROHIBITED.</p> <p>DO NOT SCALE DRAWING</p>	ITEM#: VN2DAS-30	MATERIAL:
	FINISH:	WEIGHT: 9
	PROJECTION	
	TOLERANCE UNLESS OTHERWISE SPECIFIED: X ±0.20 X.X ±0.10 X.XX ±0.05 ANGULAR: ±0.5°	UNITS: DRAWN BY: <b>Hugo.cai</b>
SIZE:	APPROVED BY:	DATE:
SHEET:	RELEASE LEVEL:	REVISION:



 <b>PROPRIETARY AND CONFIDENTIAL</b> THE INFORMATION CONTAINED IN THIS DRAWING IS THE SOLE PROPERTY OF HARDWARE RESOURCES INC. ANY REPRODUCTION IN PART OR AS A WHOLE WITHOUT THE WRITTEN PERMISSION OF HARDWARE RESOURCES INC. IS PROHIBITED.	ITEM#: VN2DAS-30		MATERIAL:	
	FINISH:		WEIGHT: 9	
TOLERANCE UNLESS OTHERWISE SPECIFIED: X ±0.20 X.X ±0.10 X.XX ±0.05 ANGULAR: ±0.5° DO NOT SCALE DRAWING	UNITS:		DRAWN BY: <i>Hugo.cai</i>	
	SIZE:		APPROVED BY:	
	SHEET:		RELEASE LEVEL:	
	DATE: Jan-09-23		REVISION:	
PROJECTION 				



 <b>PROPRIETARY AND CONFIDENTIAL</b> THE INFORMATION CONTAINED IN THIS DRAWING IS THE SOLE PROPERTY OF HARDWARE RESOURCES INC. ANY REPRODUCTION IN PART OR AS A WHOLE WITHOUT THE WRITTEN PERMISSION OF HARDWARE RESOURCES INC. IS PROHIBITED.	ITEM#: VN2DAS-30	MATERIAL:
	FINISH:	WEIGHT:
		PROJECTION 
	TOLERANCE UNLESS OTHERWISE SPECIFIED: X ±0.20 X.X ±0.10 X.XX ±0.05 ANGULAR: ±0.5°	UNITS: DRAWN BY: DATE: Hugo.cai Jan-09-23
DO NOT SCALE DRAWING	SIZE: APPROVED BY:	DATE:
	SHEET: RELEASE LEVEL:	REVISION: