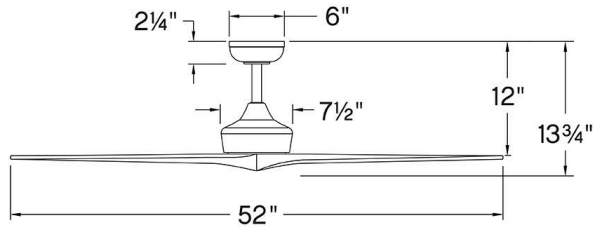


CHISEL

903752FGT-NDD

CHISEL 52" SMART FAN



DETAILS	
FAN FINISH:	Graphite
BLADE COUNT:	3
SLOPE DEGREE:	20

DIMENSIONS	
WIDTH:	52"
HEIGHT:	13.5"

LIGHT SOURCE	
VOLTAGE:	120v

MOUNTING	
CANOPY:	6" Dia.
LEAD WIRE:	1 X 76"

SHIPPING	
CARTON LENGTH:	33.4
CARTON WIDTH:	16
CARTON HEIGHT:	10.1

Built with a sleek, carefully crafted design, Chisel redefines dramatic style. Sturdy wood blades are available in a variety of sophisticated finishes to complement modern interiors and outdoor settings. Damp rated. Equipped with a 6-speed DC motor that is WiFi enabled and ready to connect right out of the box. Operated by the HIRO control or WiFi compatible with the Hinkley App.

PRODUCT DETAILS:

- Fan Control included, HIRO Control - 6 Speed Reversing. All-in-one HIRO remote controls power, speed, direction, and lighting; use as a wall control or portable remote
- Control your fan's power, light, speed, direction, and so much more from the Hinkley Home Automation app
- Can be hung on a sloped ceiling
- Bold silhouette with dramatic details creates a modern statement
- WiFi Enabled Smart Fan is compatible with your home's WiFi network
- This item includes a 6" down rod (other lengths of down rods are available)
- Blades, controls, switches, capacitors and hardware carry a 1-year warranty
- Damp rated fans are ideal for fully covered outdoor areas, bathrooms, garages, and sunrooms

HINKLEY

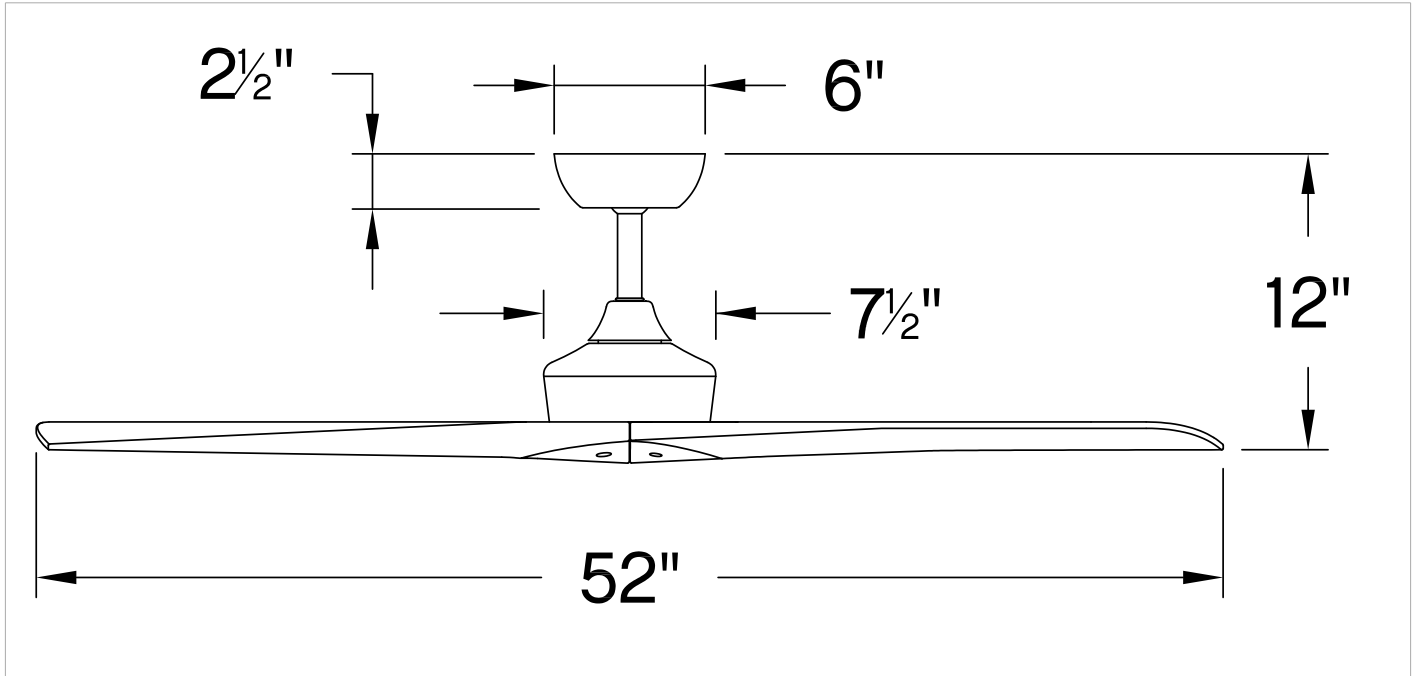
HINKLEY
33000 Pin Oak Parkway
Avon Lake, OH 44012

PHONE: (440) 653-5500
Toll Free: 1 (800) 446-5539

hinkley.com

CHISEL 52" SMART FAN

903752FGT-NDD



PERFORMANCE SPECIFICATIONS	STANDARD	
	HIGH SPEED	AVERAGE SPEED
Airflow	6564	4404
EnergyUse	30	19
EnergyCost	8	5
Efficiency	219	233
AMPS	0.46	0.27
RPMS	222	138

AVERAGE PERFORMANCE AND ENERGY INFORMATION

ENERGYGUIDE

**Estimated
Yearly Energy Cost**

\$ 5

\$3 | | | \$34

Cost Range of Similar Models (19" – 84")

- Based on 12 cents per kWh and 6.4 hours use per day
- Your cost depends on rates and use
- Energy Use: 19 Watts

Airflow

4,404

Cubic Feet Per Minute

- The higher the airflow, the more air the fan will move
- Airflow Efficiency: 115 Cubic Feet Per Minute Per Watt

All estimates based on typical use, excluding lights ftc.gov/energy

Airflow Shown is a Weighted Average of High and Low Cubic Feet per Minute Based on Downrod

HINKLEY

HINKLEY
33000 Pin Oak Parkway
Avon Lake, OH 44012

PHONE: (440) 653-5500
Toll Free: 1 (800) 446-5539

hinkley.com