

Hardware  
**HR**  
 Resources

HARDWARE RESOURCES  
 4319 MARLENA ST, BOSSIER CITY, LA71111

TOLERANCES

OVER ALL LENGTH  $\pm 0.1\text{MM}$   
 ANGLES  $\pm 0^\circ 30'$

PART NAME: LAZY SUSAN POLE 3

ITEM NO: LSP 3

REV:

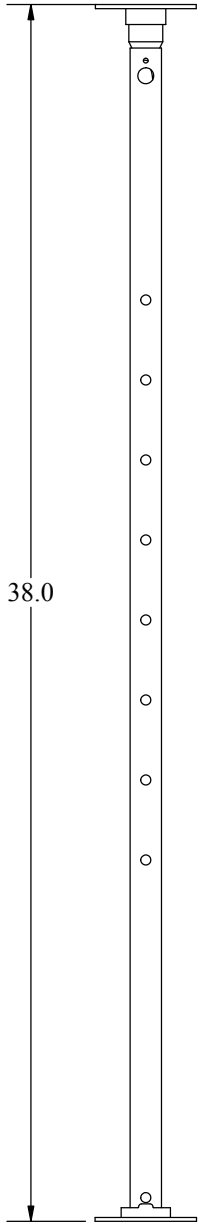
MATERIAL:

DATE: 3/10/2006

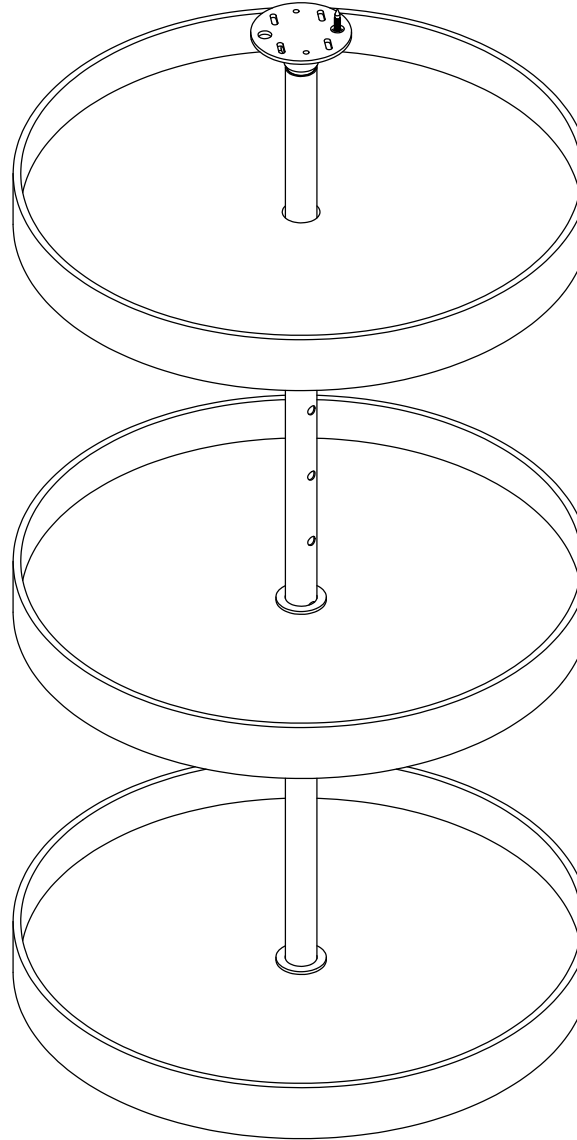
SHEET:

BY: UDAY

PLATING:



Note:  
Minimum total height should be  
38 in as shown



Hardware  
**HR**  
Resources

HARDWARE RESOURCES  
4319 MARLENA ST, BOSSIER CITY, LA71111

TOLERANCES

OVER ALL LENGTH  $\pm 0.1\text{MM}$   
ANGLES  $\pm 0^\circ 30'$

PART NAME:

ITEM NO:

REV:

MATERIAL:

DATE:

SHEET:

BY:

PLATING: