



# Purist® | K-T14428-4

Deck-mount bath faucet trim with Lever handles

## Features

- Lever handle style option
- 7-1/2" (191 mm) gooseneck nondiverter spout with slip-fit connection



## Available Colors/Finishes

*Color tiles intended for reference only.*

- CP Polished Chrome
- SN Vibrant Polished Nickel
- AF Vibrant French Gold
- BN Vibrant Brushed Nickel
- BV Vibrant Brushed Bronze
- BL Matte Black
- 2MB Vibrant Brushed Moderne Brass
- TT Vibrant Titanium
- BGP Vibrant Brushed Graphite



1-800-4KOHLER (1-800-456-4537)  
Kohler Co. reserves the right to make revisions without notice to product specifications.  
For the most current specification sheet, go to [www.kohler.com](http://www.kohler.com) USA or [www.kohler.ca](http://www.kohler.ca) Canada.  
5-7-2026 8:1 - US-CA

THE BOLD LOOK  
OF **KOHLER**

---

## Codes/Standards

ADA, OBC, CSA B651 compliant when installed to the specific requirements of these regulations.



ASME A112.18.1/CSA B125.1

ADA

ICC/ANSI A117.1

CSA B651

OBC

---

## Technical Information

*All product dimensions are nominal.*

### Handle

Handle Style/ Type:                      Lever

### Spout

Spout Reach:                                7-1/2" (191 mm)

---

## Material

- Brass
  - KOHLER finishes resist corrosion and tarnishing
- 

## Recommended Products/Accessories

K-23723 Faucet cleaner

K-14375 24" Double towel bar

K-14435 18" towel bar

K-14436 24" towel bar

K-14443 Robe hook

K-14377 Pivoting toilet paper holder

K-14441 Towel ring

K-14444 Vertical toilet paper holder

---

## Warranty

*See website for detailed warranty information.*

KOHLER® Faucet Lifetime Limited Warranty

---

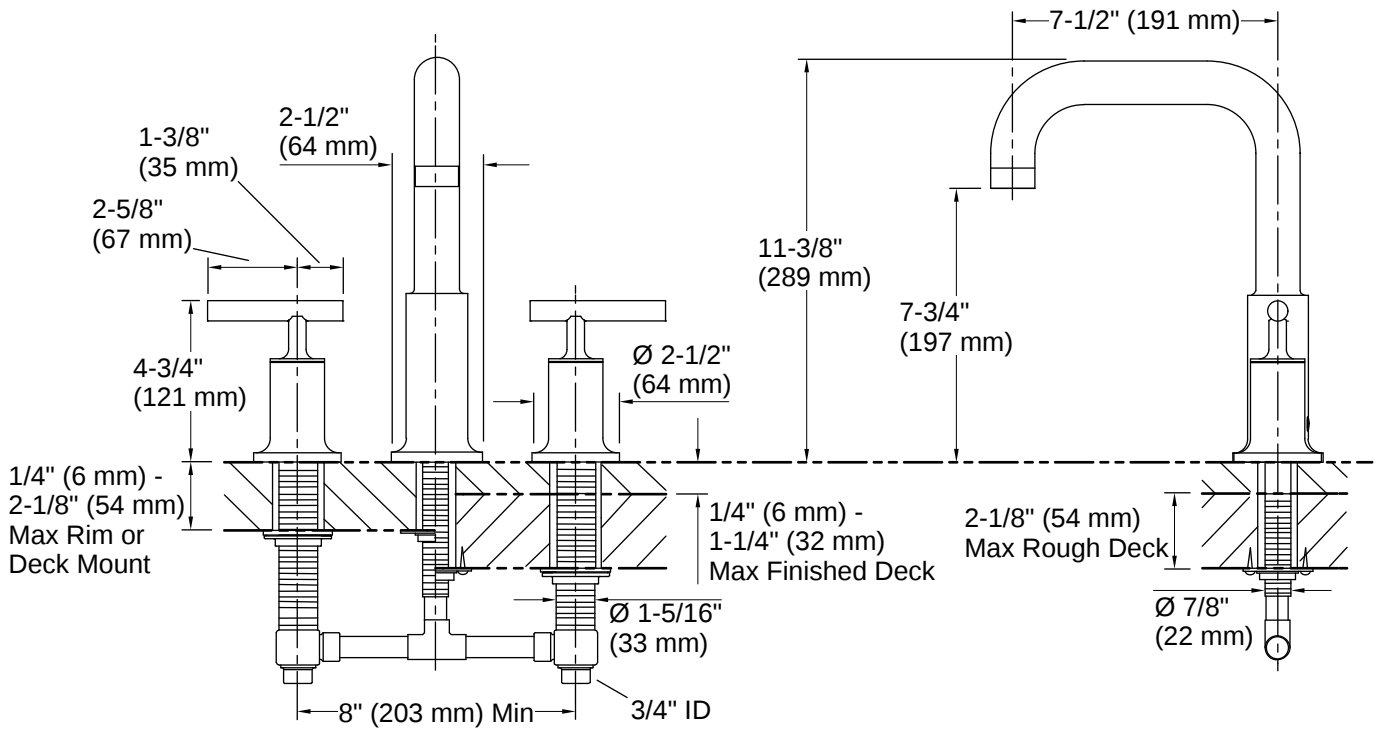


1-800-4KOHLER (1-800-456-4537)

Kohler Co. reserves the right to make revisions without notice to product specifications.

For the most current specification sheet, go to [www.kohler.com](http://www.kohler.com) USA or [www.kohler.ca](http://www.kohler.ca) Canada.

5-7-2026 8:1 - US-CA



Rim or Deck-Mount Installation

Rough + Finished Deck-Mount Installation

## Installation

- Deck-mount

## Installation Notes

*Install this product according to the installation instructions.*

ADA, OBC, CSA B651 compliant when installed to the specific requirements of these regulations.

