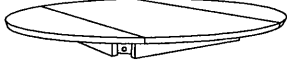


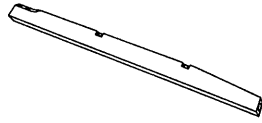
ASSEMBLY INSTRUCTION

2 SIDE DROP LEAF ROUND COUNTER HEIGHT TABLE

A TABLE TOP WITH LEAF
B LEG

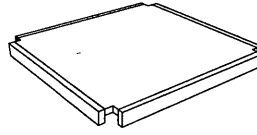


1 PC



4 PCS

C SHELF



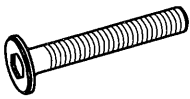
2 PCS

D ALLEN WRENCH
M4 x 60MM



1 PC

E JCBC BOLT
M6 x 70MM



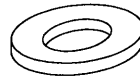
16 PCS

F SPRING WASHER
M6



16 PCS

G FLAT WASHER
M6

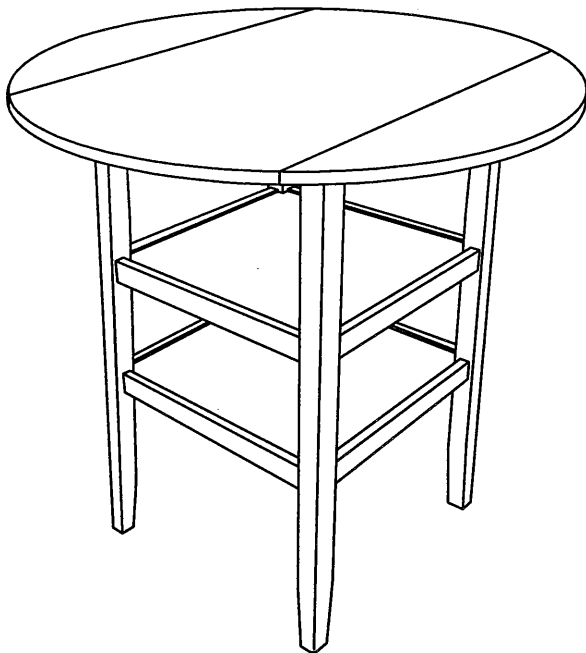


16 PCS

H LEVELER
M6 x 23MM



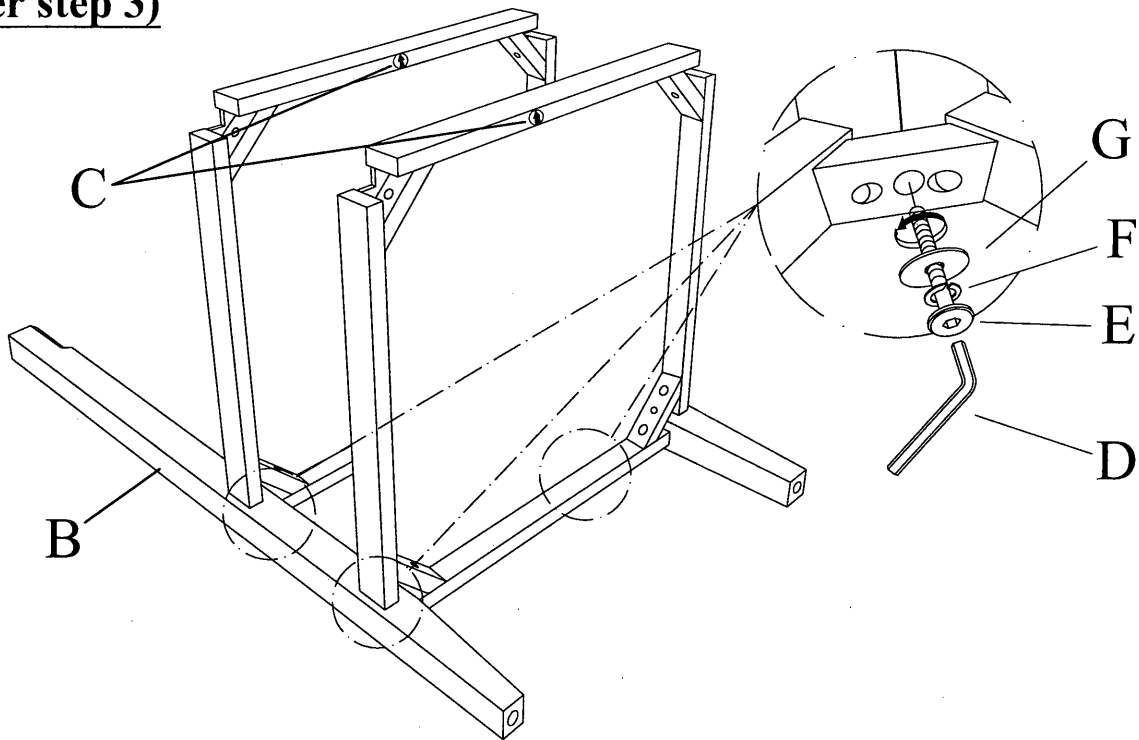
4 PCS



This page lists all the contents included in the box. Please take the time to identify the hardware as well as the individual components to this product. As you unpack and prepare for assembly, place the contents on a carpet or padded area to protect them from damage.

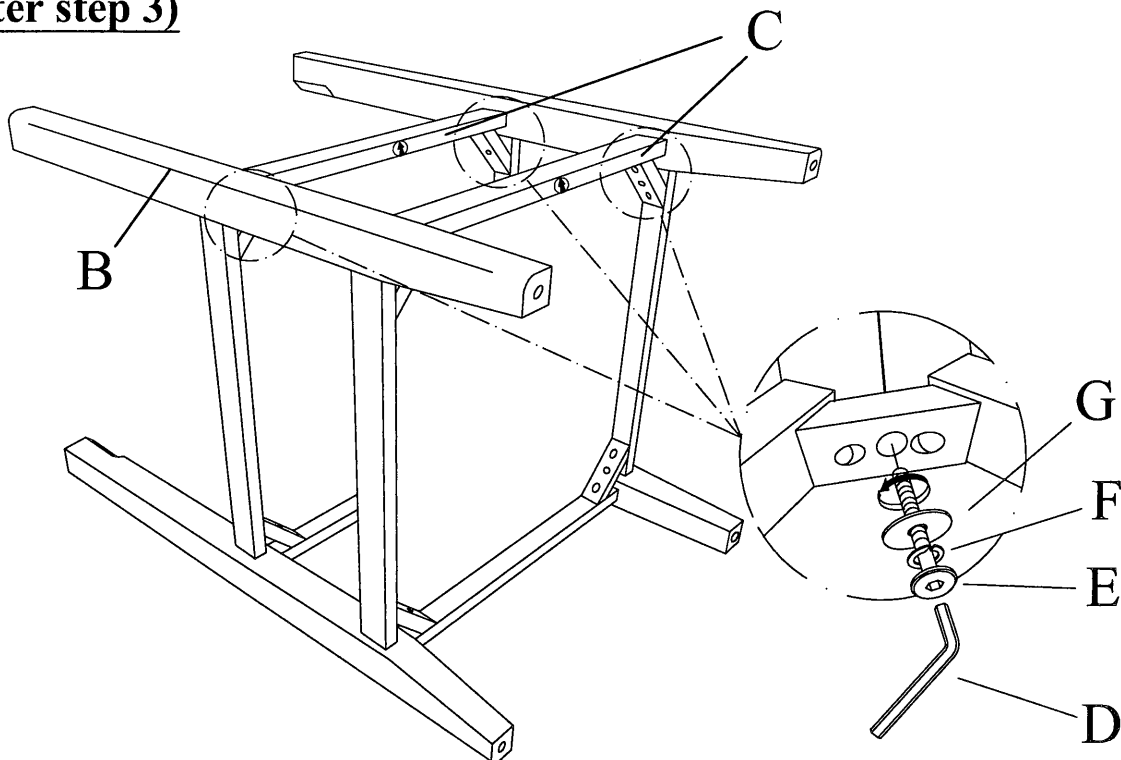
1 Attach Shelf (C) (follow Arrow sticker direction as below) to Leg (B) using JCBC Bolt (E), Spring Washer (F) and Flat Washer (G) and tighten with Allen Wrench (D).

**** Do not fully tighten all the bolts at this step. (Fully tighten the bolt after step 3)**



2 Attach the other Leg (B) to Shelf (C) using JCBC Bolt (E), Spring Washer (F) and Flat Washer (G).

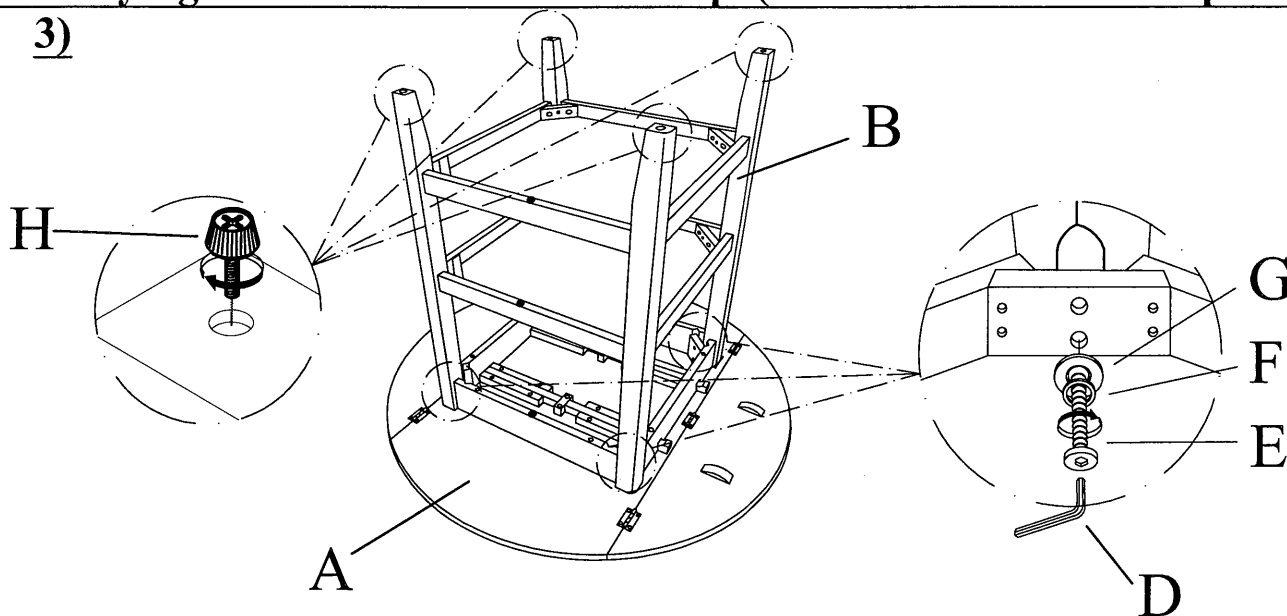
**** Do not fully tighten all the bolts at this step. (Fully tighten the bolt after step 3)**



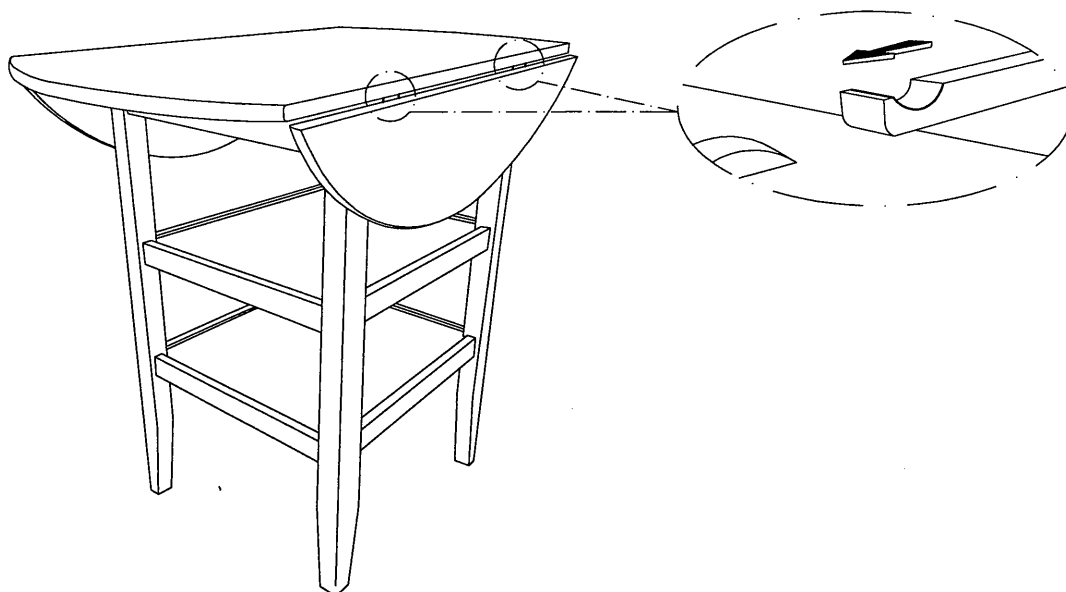
3 (i) Place Table Top (A) upside down on soft surface. Align and fasten Legs (B) to Table Top (A) (follow Arrow Sticker direction as show below) using JCBC Bolt (E), Spring Washer (F) and Flat Washer (G) and tighten with Allen Wrench (D) .

(ii) Screw in the Leveler (H) to bottom of Legs (B).

**** Fully tighten all the bolts at this step. (Included all bolts at step 2 and 3)**



4 Stand table up on the flat surface and check that it is balanced. If there is slight wobble, please adjust the leveler. Lift up the leaf and pull out the wood support which underneath of table top till fixed and tight.



Cleaning & Care

Treat Surface with care. Surface is resistant to scratches but is not scratch resistant. Clean surface with a dry or damp soft cloth. Do not use abrasive cleaners. Hardware may loosen over time. Periodically check that all connections are tight.