

# I PORT CONNECT

## MULTIDOCK 6 AND MULTIDOCK 6 SYNC



72308 - CONNECT Multidock 6

72309 - CONNECT Multidock 6 SYNC

# I PORT CONNECT

## MULTIDOCK 6 AND MULTIDOCK 6 SYNC

### I PORT CONNECT Pro MultiDock Install Manual

Thank you for purchasing the IPORT CONNECT Platform. We hope you enjoy this revolutionary new system and if at any time you need assistance, please contact IPORT Tech Support via Online chat or through our online help desk.

- IPORT Team

#### Whats in box:

- 1 - IPORT CONNECT Multidock
- 1 - 160W EDAC Power Supply - 19V DC, 8.4A.
- 8 - Mounting Screws 4ea Wood 4ea M4
- 1 - Info Card

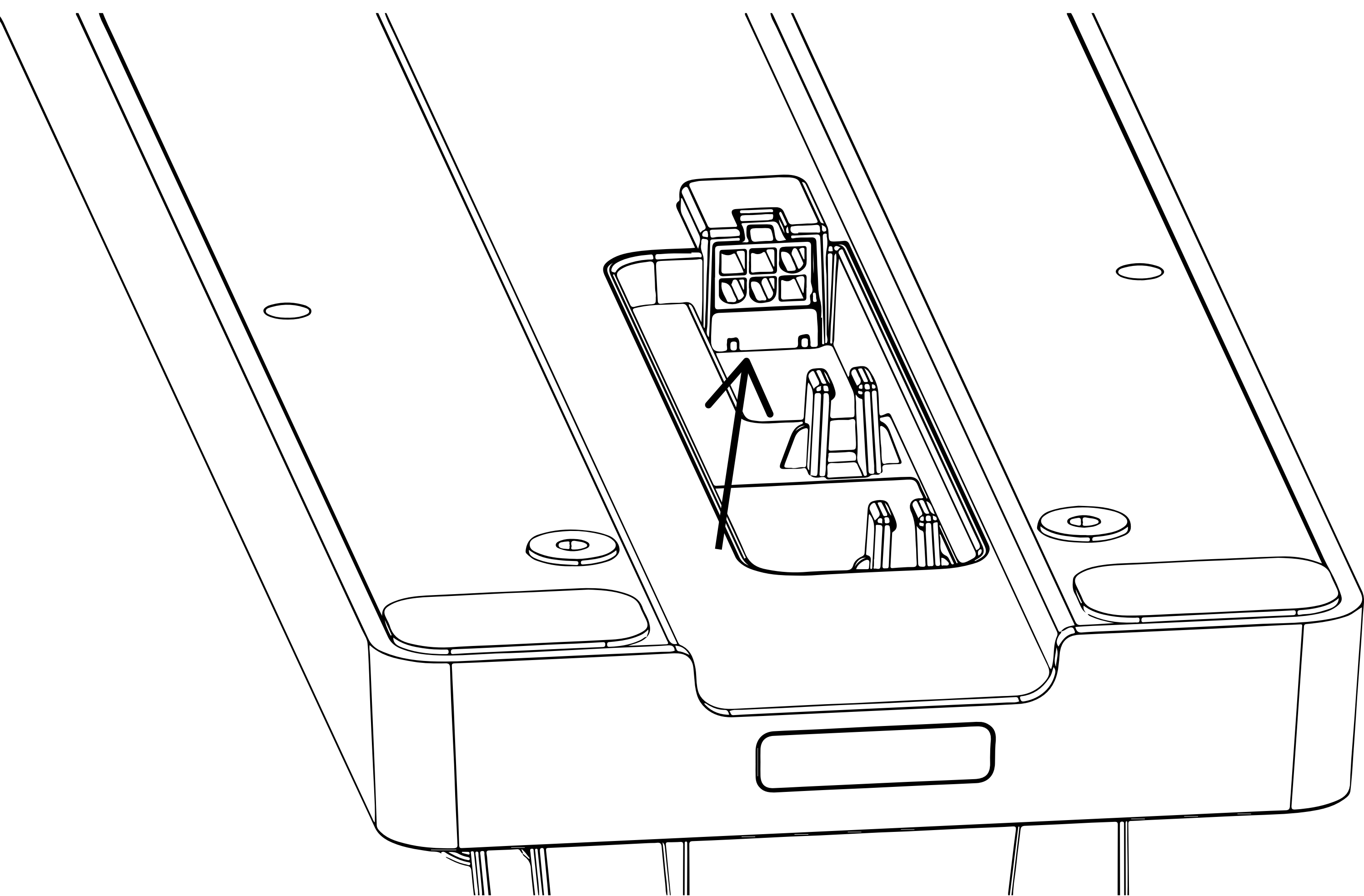
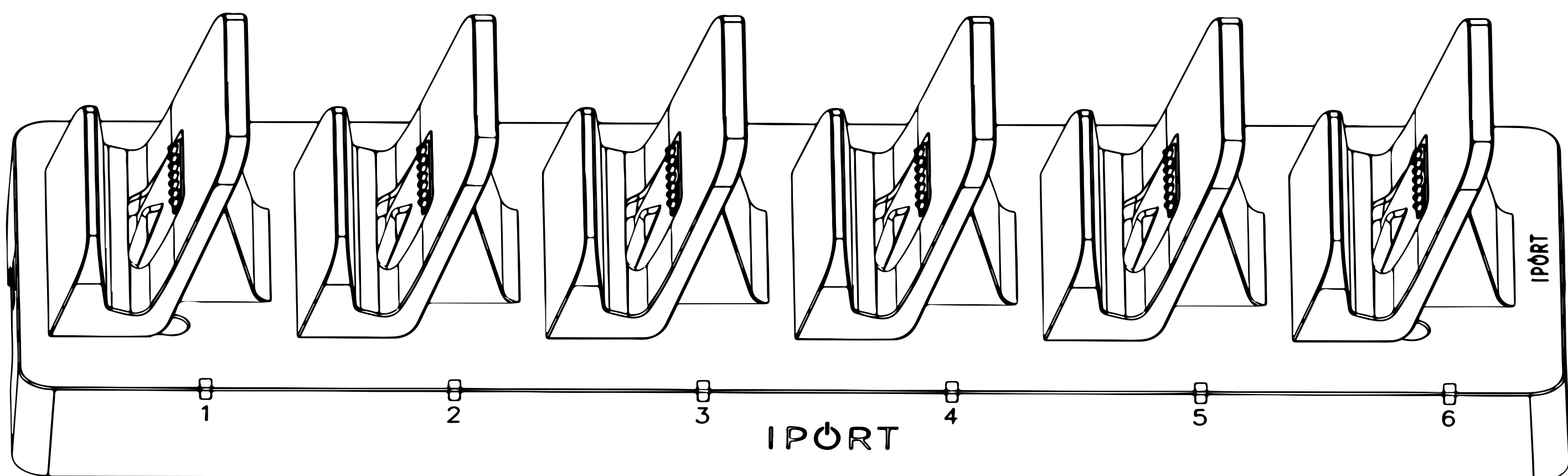
#### Glossary of Terms:

- **MultiDock** - The main mounting station consisting of 6 Charging Docks for IPORT CONNECT iPad or iPhone Cases.
- **Charging Cradle** - The removable back portion of each Charging Dock interchangeable for different sized iPhone or iPad devices.
- **Charging LED** - The LED indicating the current charge status of the iPhone or iPad: red for charging, green for fully charged.

# I PORT CONNECT

## MULTIDOCK 6 AND MULTIDOCK 6 SYNC

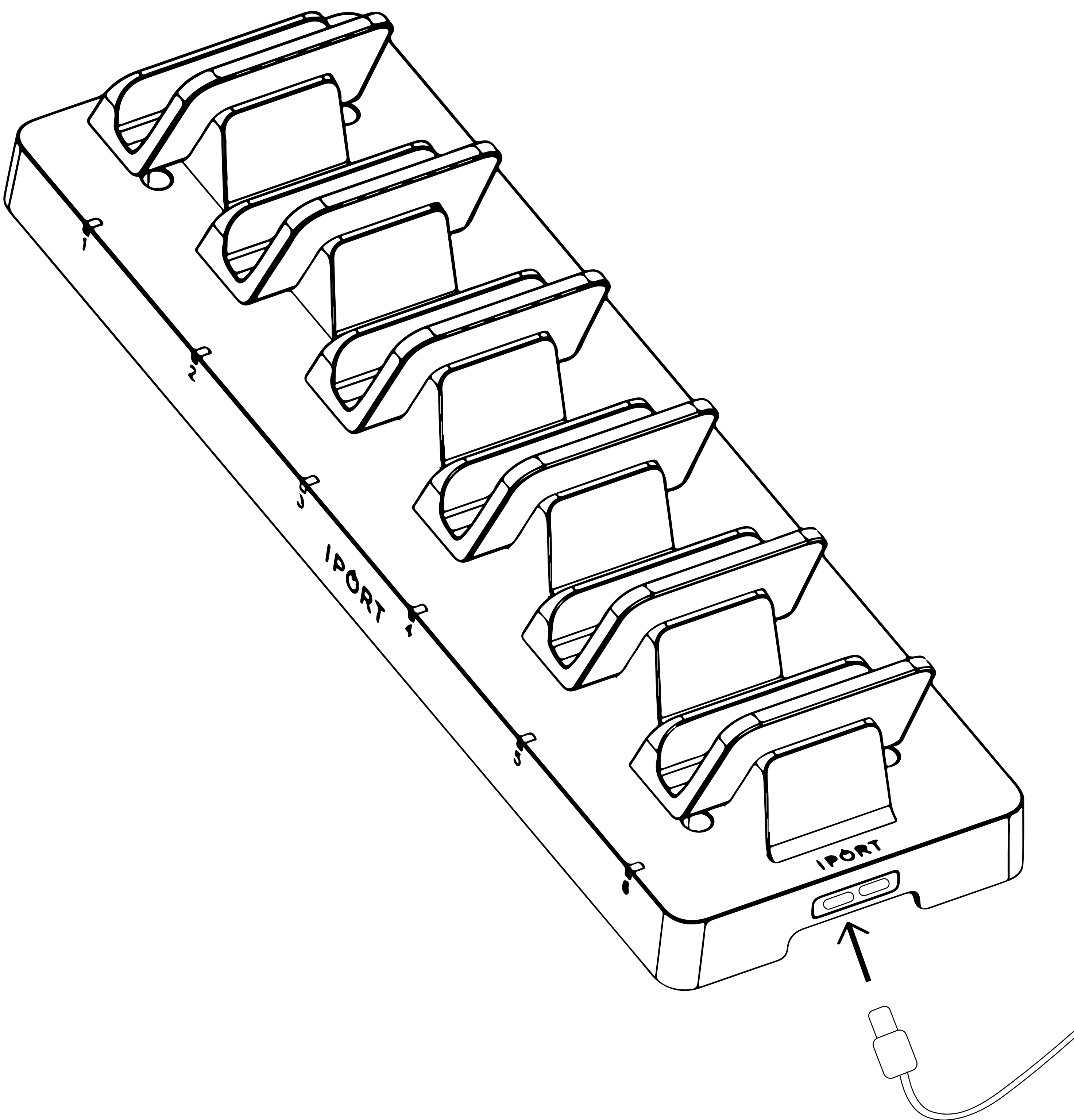
- 1. Remove the Multidock and Power Supply from the box and place on a table.**
- 2. Insert the DC Power plug into the bottom of the MultiDock and press the cable into the cable retention holders.**



# I PORT CONNECT

## MULTIDOCK 6 AND MULTIDOCK 6 SYNC

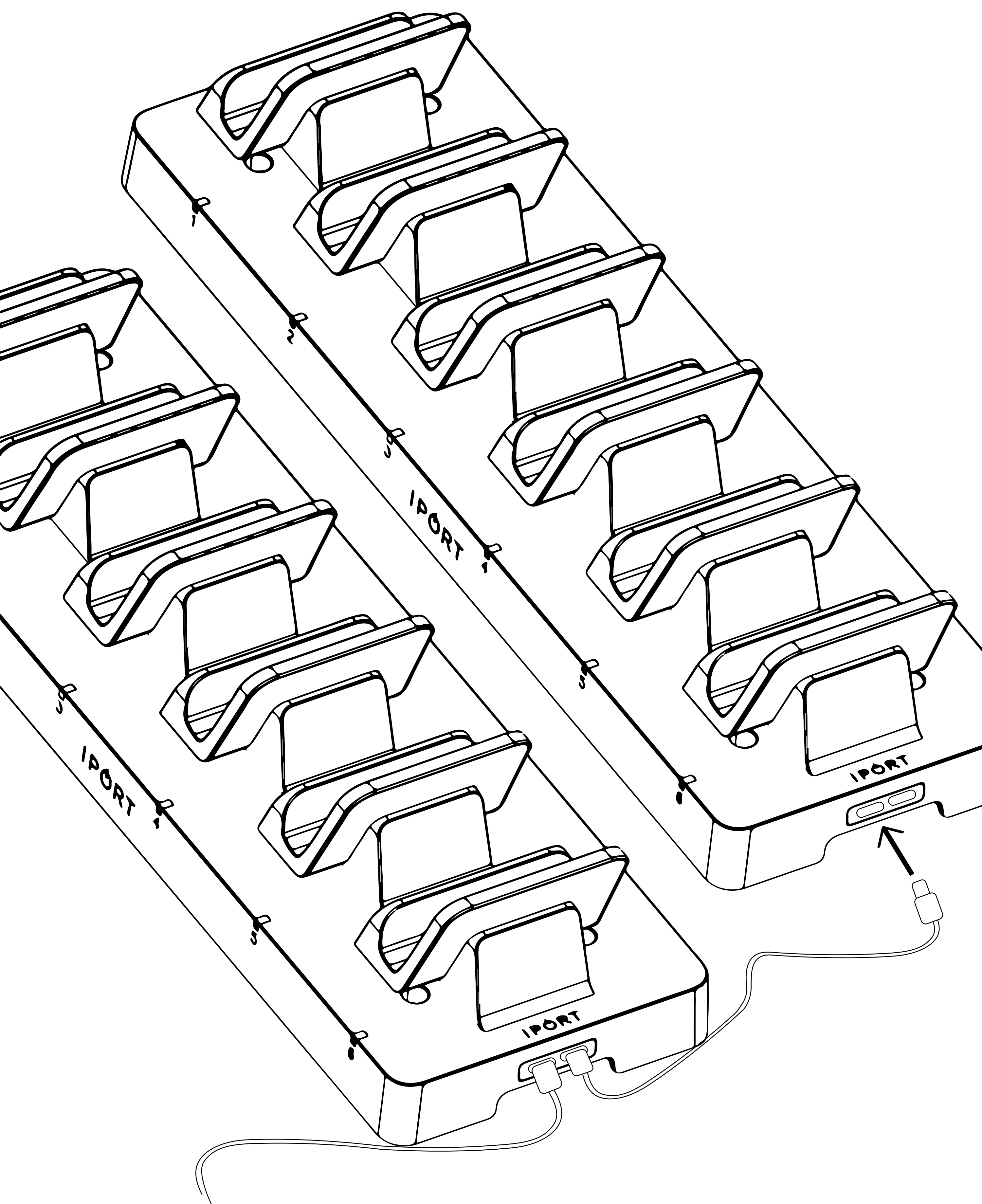
- 3. Optional for 72300 - MultiDock SYNC 6:** To enable syncing, connect one end of a USB-C cable to the USB-C port on the MultiDock and the other end to a computer. This allows syncing of the iPads.



# I PORT CONNECT

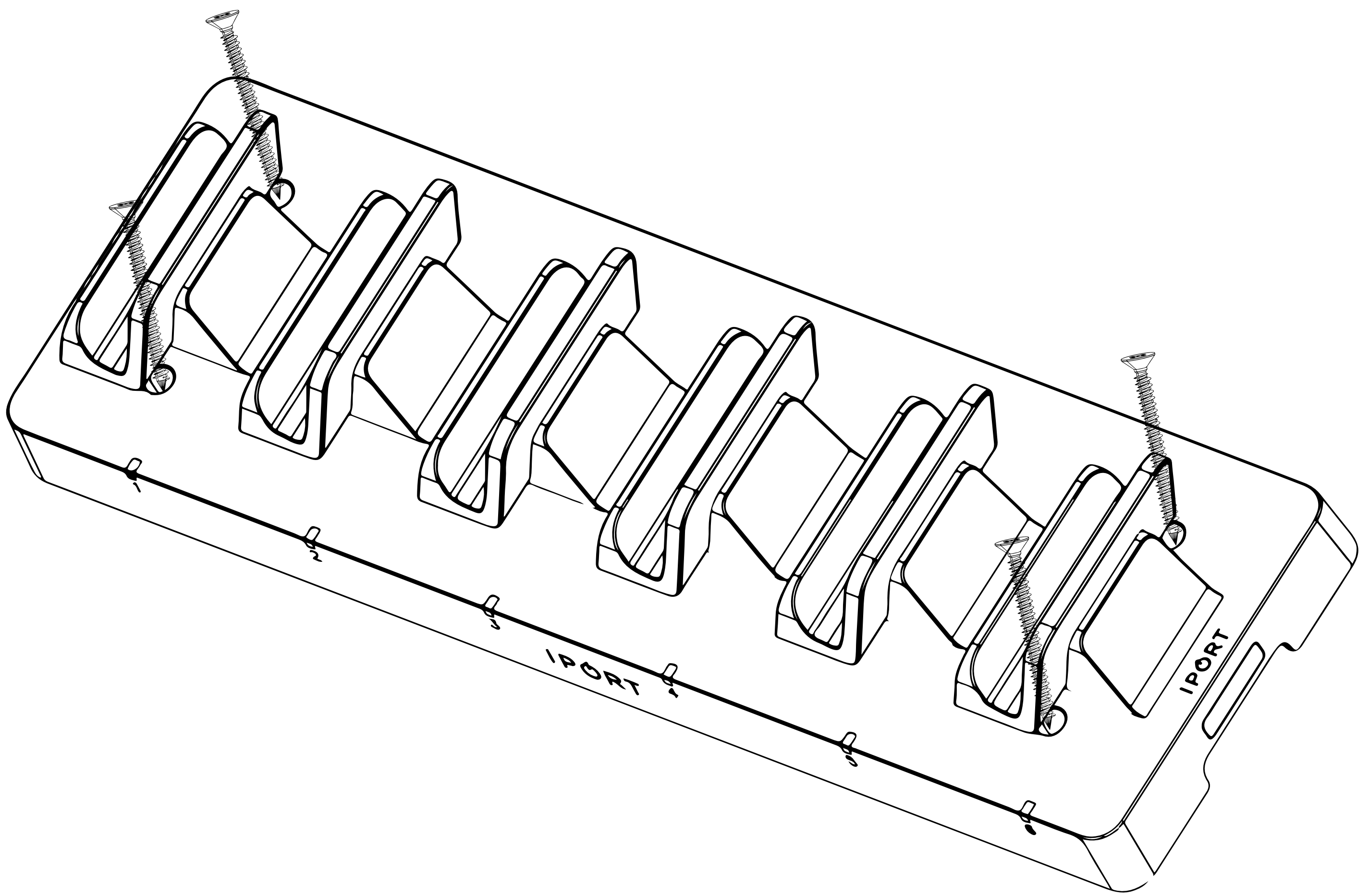
## MULTIDOCK 6 AND MULTIDOCK 6 SYNC

- 4. Multidock supports daisy-chaining up to a maximum of three units. You must use only the USB-C cables included in the packaging (specifically, a combination of one long cable and two short cables)**



## MULTIDOCK 6 AND MULTIDOCK 6 SYNC

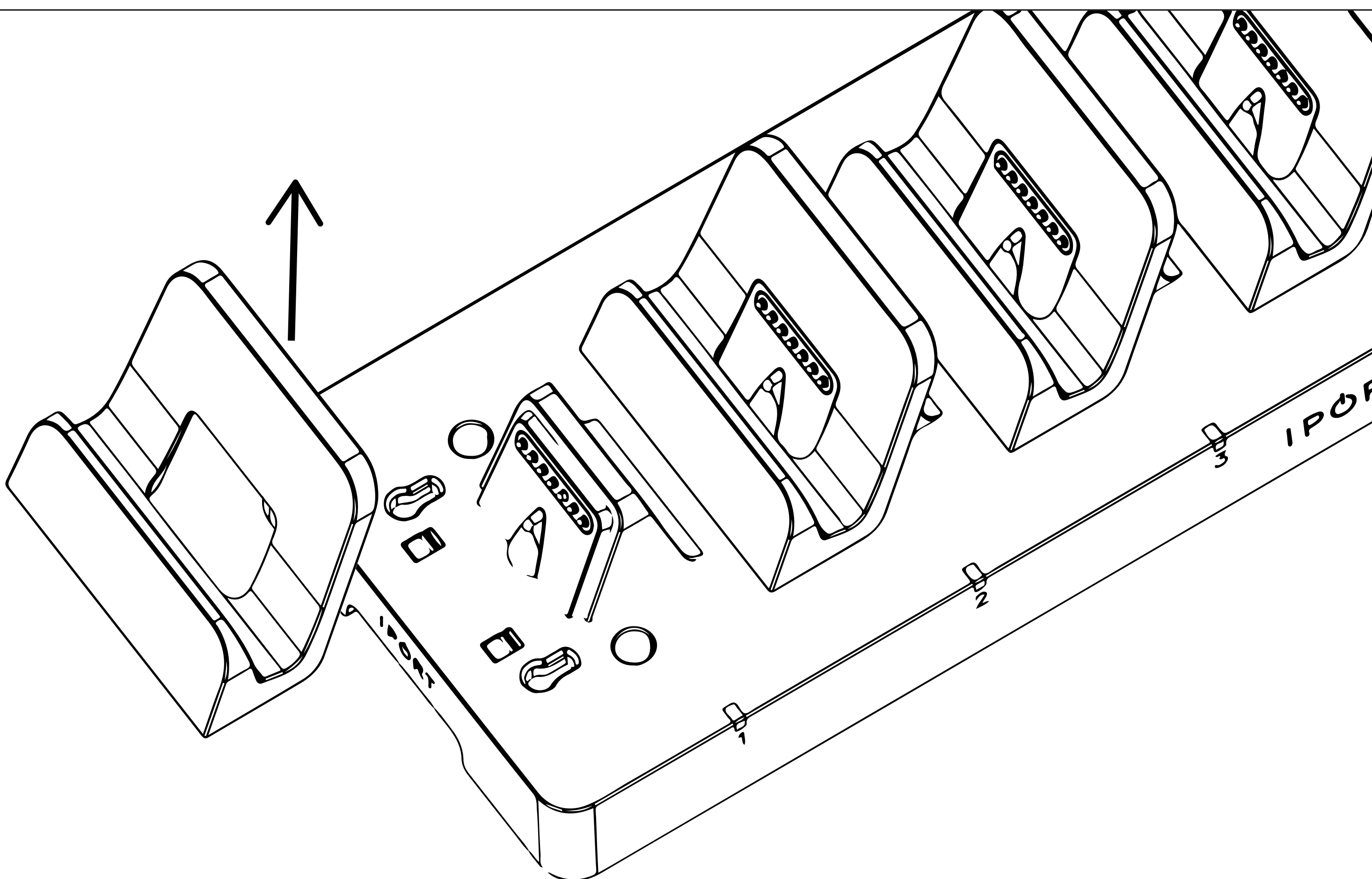
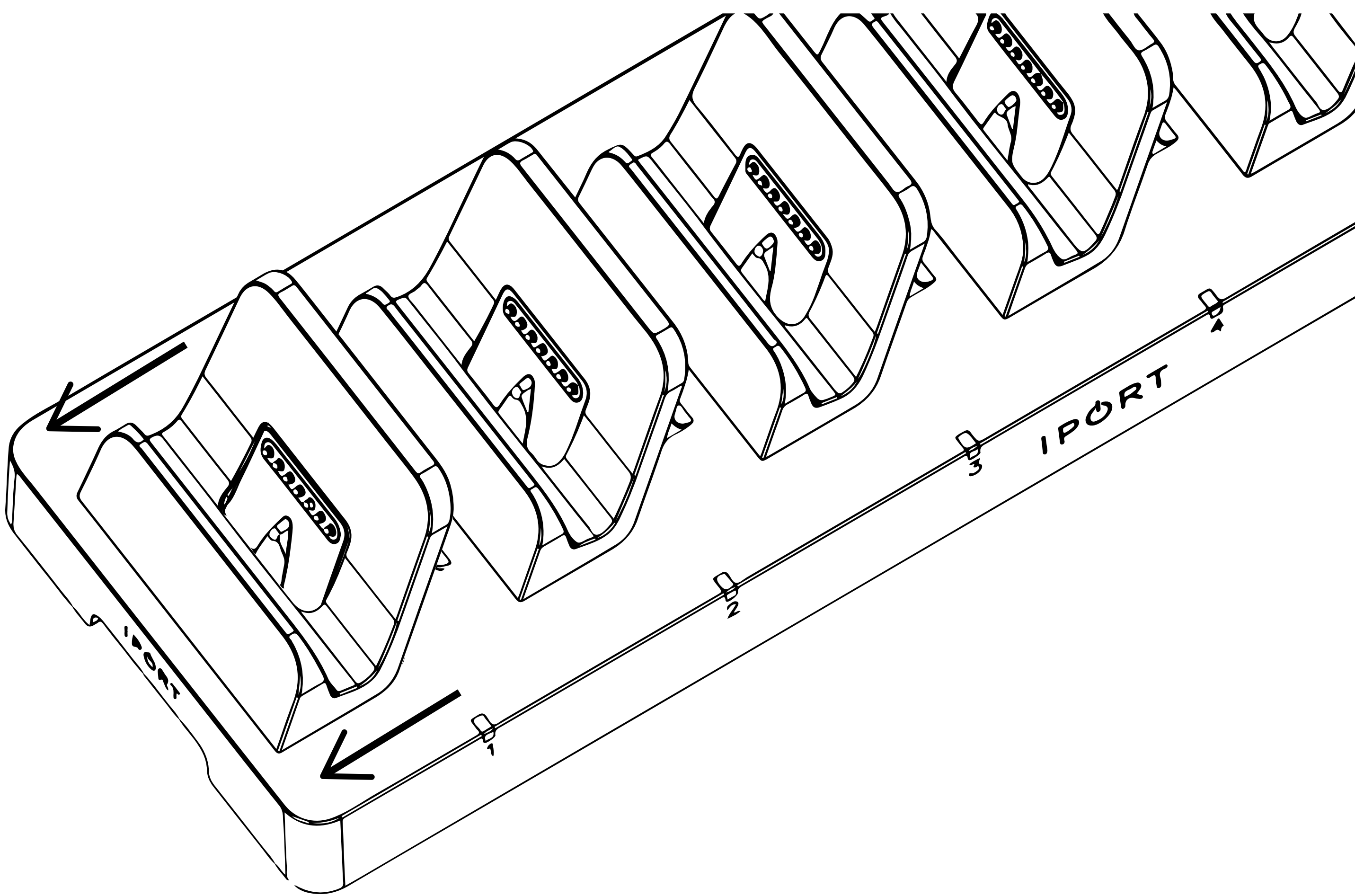
- 5. Optional - to securely mount Multidock to a desk or table, remove the first and last charging cradles (see step 6), insert the provided screws through the four openings on the MultiDock and hand tighten with a screwdriver. Reinstall the charging cradles.**



# I PORT CONNECT

## MULTIDOCK 6 AND MULTIDOCK 6 SYNC

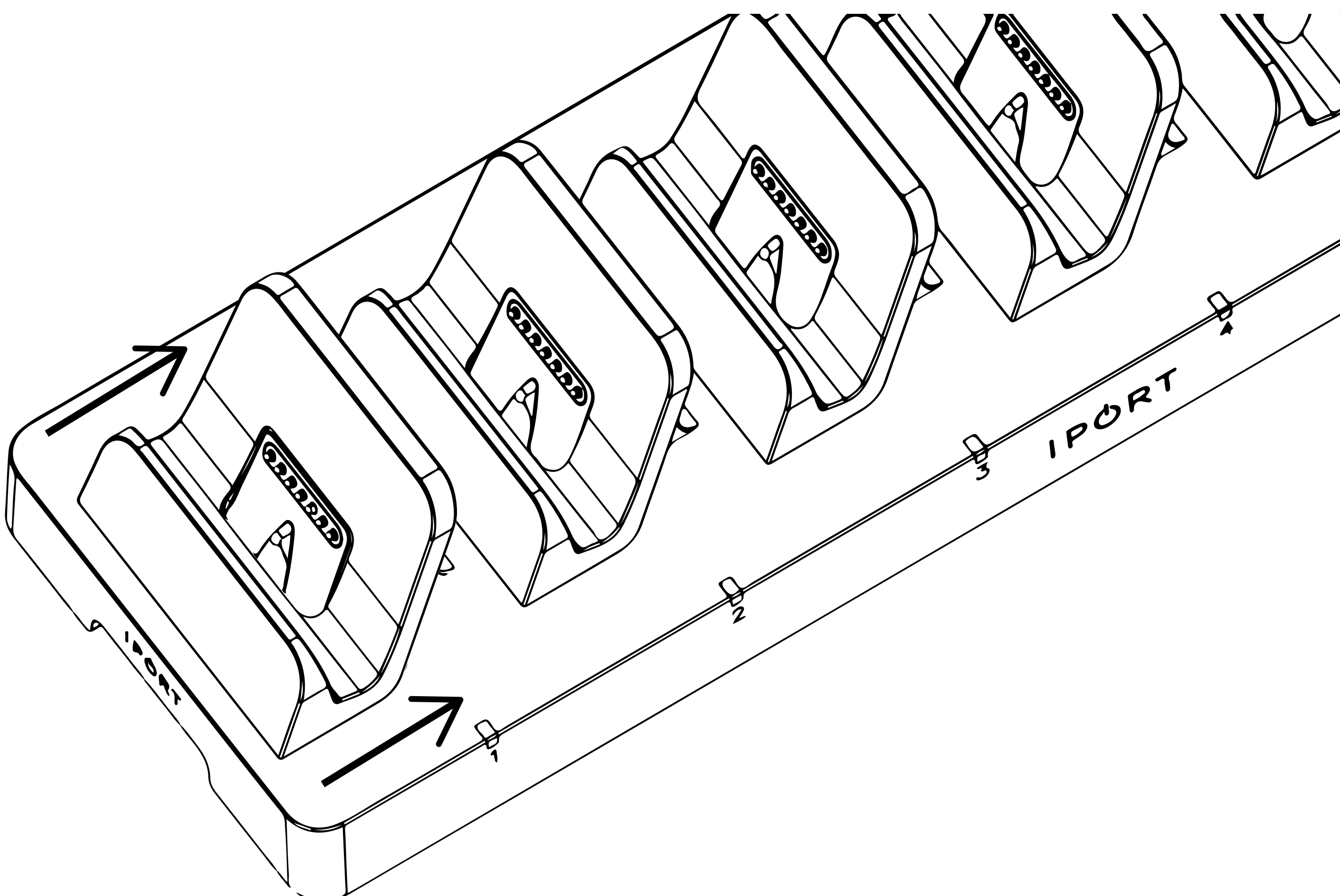
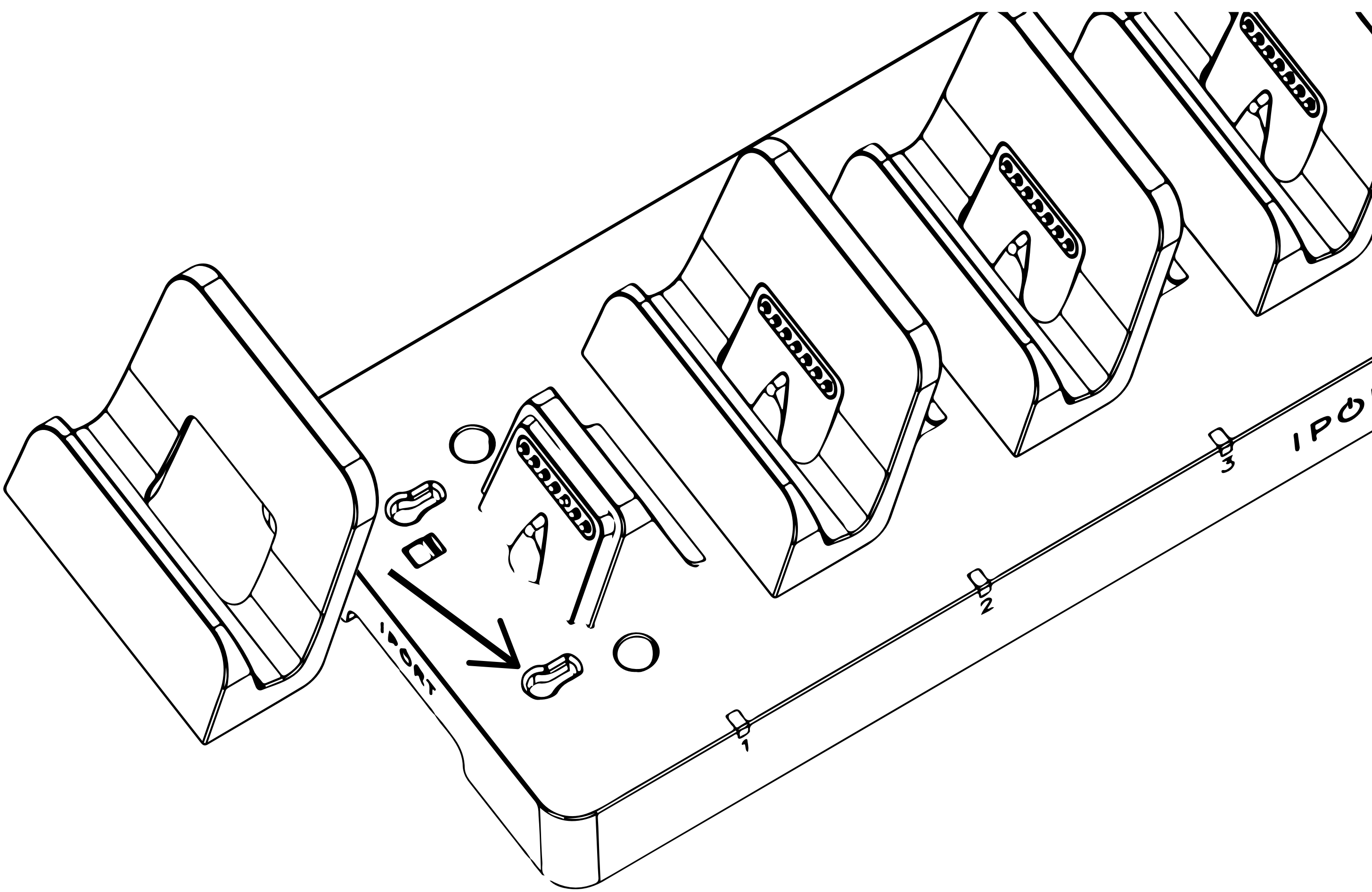
- 6. To remove or change the charging cradle, slide the cradle towards the front of the Multidock then pull up.**



# I PORT CONNECT

## MULTIDOCK 6 AND MULTIDOCK 6 SYNC

- 7. To reinstall the charging cradle, place the cradle into the two holes in front of the dock and slide backward until the cradle snaps into place.**

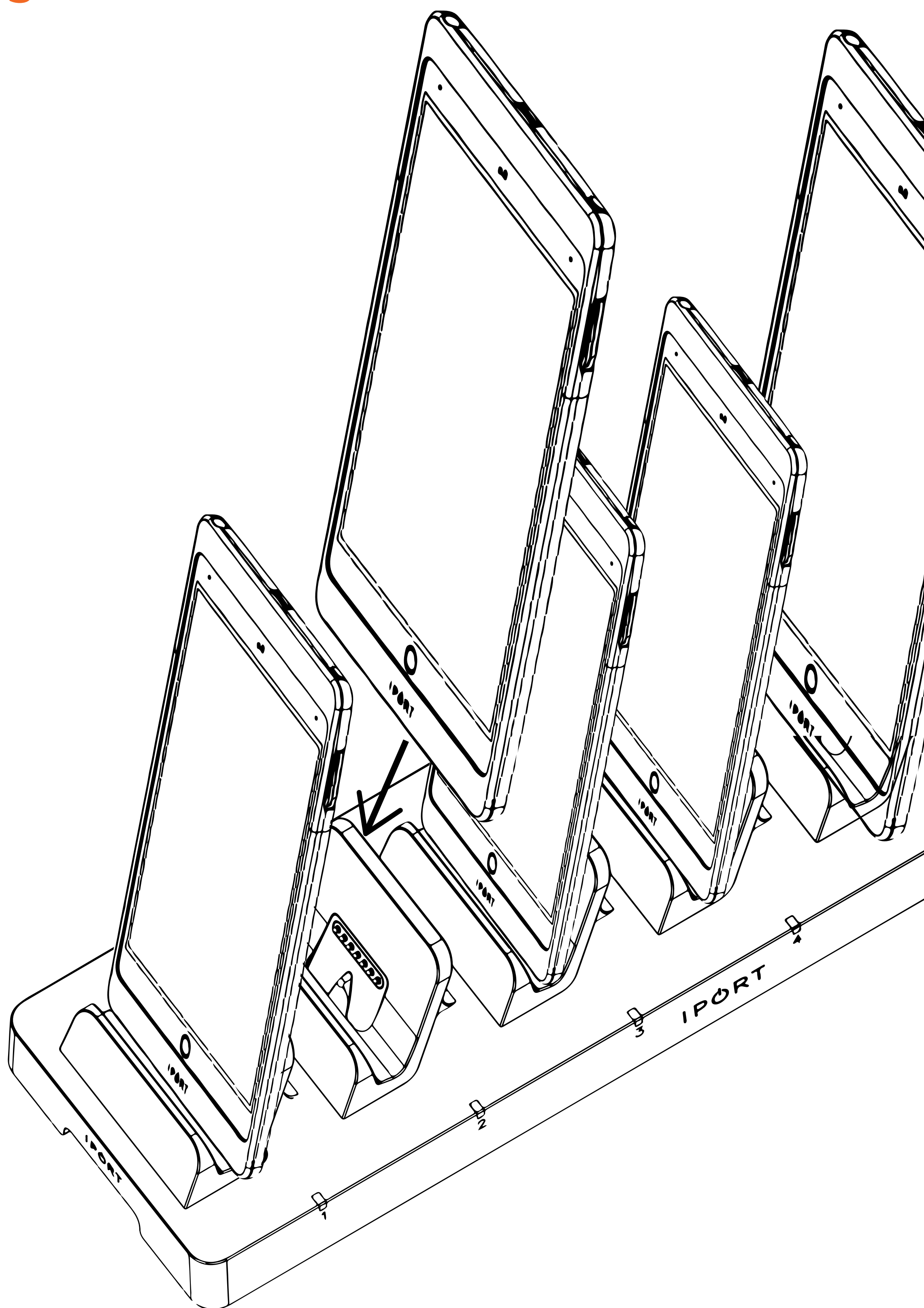


# I PORT CONNECT

## MULTIDOCK 6 AND MULTIDOCK 6 SYNC

- 8. Place the iPad facing forward into one of the 6 charging cradles. Make sure the cradle's alignment tab engages with the recess on the case to ensure proper alignment. The LED will turn on when the case is properly docked.**

**Note: The LED's may take a few seconds to identify the correct charging status of the iPad. When the iPad is fully charged, the LED will change from red to green.**



## MULTIDOCK 6 AND MULTIDOCK 6 SYNC

### REGULATORY AND SAFETY INFORMATION

#### FCC STATEMENT:

This device complies with Part 15 of the FCC Rules. Operation is subject to the following two conditions:

- (1) This device may not cause harmful interference, and
- (2) This device must accept any interference received, including interference that may cause undesired operation.

**CAUTION:** Any Changes or modifications not expressly approved by the party responsible for compliance could void the user's authority to operate the equipment.

**NOTE:** This equipment has been tested and found to comply with the limits for a Class B digital device, pursuant to Part 15 of the FCC Rules. These limits are designed to provide reasonable protection against harmful interference in a residential installation. This equipment generates uses and can radiate radio frequency energy and, if not installed and used in accordance with the instructions, may cause harmful interference to radio communications.

However, there is no guarantee that interference will not occur in a particular installation. If this equipment does cause harmful interference to radio or television reception, which can be determined by turning the equipment off and on, the user is encouraged to try to correct the interference by one or more of the following measures:

- Reorient or relocate the receiving antenna.
- Increase the separation between the equipment and receiver.
- Connect the equipment into an outlet on a circuit different from that to which the receiver is connected.
- Consult the dealer or an experienced radio/TV technician for help

#### CANADA WARNING (ISED)

This device complies with Industry Canada license-exempt RSS standard(s). Operation is subject to the following two conditions:

- (1) this device may not cause interference, and
- (2) this device must accept any interference, including interference that may cause undesired operation of the device."

#### IMPORTANT SAFETY INSTRUCTIONS

You should always follow these basic safety precautions when using your IPORT products to reduce the risk of fire, electric shock, and injury to persons.

1. Read all the safety and operating instructions before operating your IPORT product.
2. Do not store and expose your device to high temperatures including heat caused by intense sunlight or placing on hot surface. Do not place device in fire or other excessively hot environments.
3. Do not disassemble or modify this device unless instructed to do so in this user manual.
4. If this device is accessible to or may be used by a minor, purchasing adult agrees to be solely responsible for providing instructions and supervision. Purchaser agrees to defend, indemnify, and hold Manufacturer harmless for any claims or damages arising from unintended use or misuse by a minor.
5. Do not submerge in water or liquid or expose device to excessive water not reasonable for normal use as described in the user manual.
6. IPORT products are of high quality and go through quality assurance inspections. However, if you notice abnormal operation or device is getting excessively hot, immediately stop all product use and contact manufacture.
7. CAUTION: To prevent Electric Shock, do not use the polarized plug with an extension cord, receptacle, or other outlets unless the blades can be fully inserted to prevent blade exposure.
8. Power Cord Protection: Route power supply cords so they will not be walked on or pinched by Items.