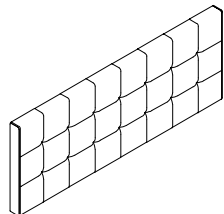
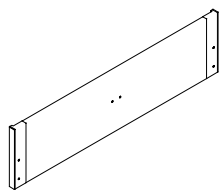
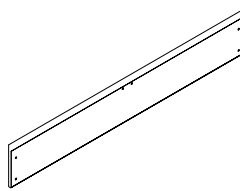
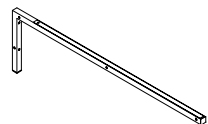
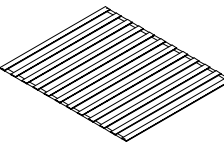
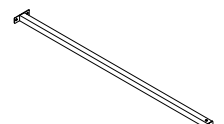

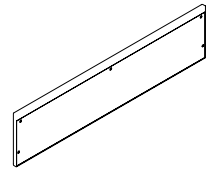
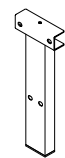

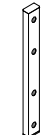
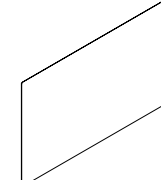

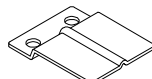






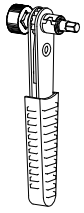


ASSEMBLY INSTRUCTION

UPHOLSTERED PLATFORM QUEEN BED

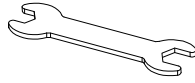
A Upper Headboard 	B Lower Headboard 	C Footboard 	D Rail Section 
1PC E Slat 	1PC F Center Rail - Front / Rear 	1PC G Center Support Leg 	4PCS H Side Rail 
1SET (12PCS) I Rail Support Leg 	2PCS J Center Rail 	3PCS K Connector 	4PCS L Fabric Cover 
2PCS M Bracket 65*25*11.5*2mm 	1PC N Bracket 65*50*10*2mm 	2PCS O Bolt 5/16"*35mm 	1PC P Bolt 1/4"*40mm 
1PC Q Bolt 1/4"*19mm 	1PC R Bolt 1/4"*25mm 	8PCS S Washer 5/16" 	30PCS T Nut 1/4" 
12PCS	4PCS	8PCS	2PCS

U Ratchet Tool
4mm

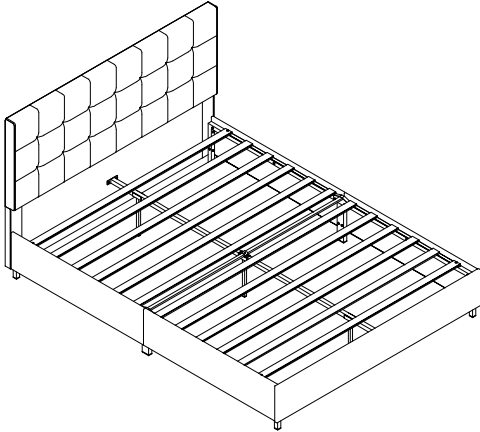


1PC

V Wrench
5/16"-1/4"



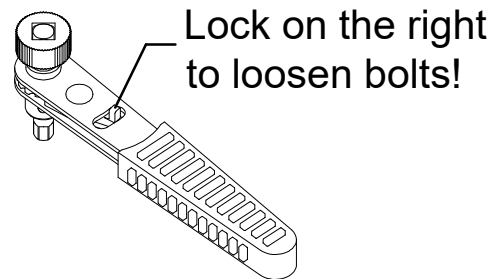
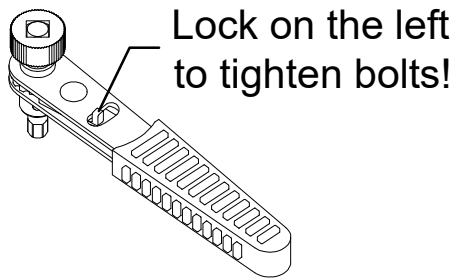
1PC



These pages list all the contents included in the box. Please take the time to identify the hardware as well as the individual components to this product. As you unpack and prepare for assembly, place the contents on a carpeted or padded area to protect them from damage.

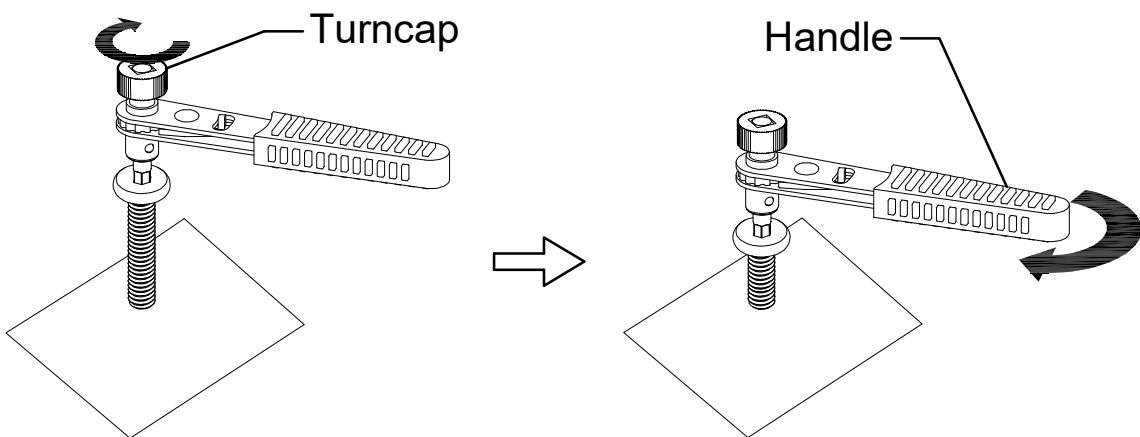
How to Use the Ratchet Tool (U)

1. Before assembling the furniture, please adjust the lock as needed.

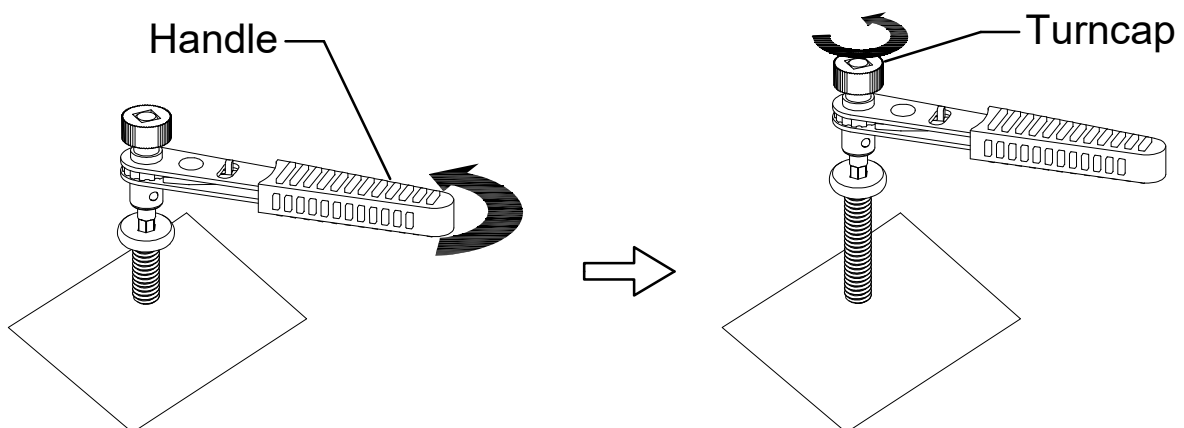


2. Tighten or loosen bolts.

- **Tighten bolts:** Locate the turncap and rotate it clockwise to screw the bolt quickly until it cannot be rotated any more. Then start rotating the handle clockwise to finalize tightening the bolt.

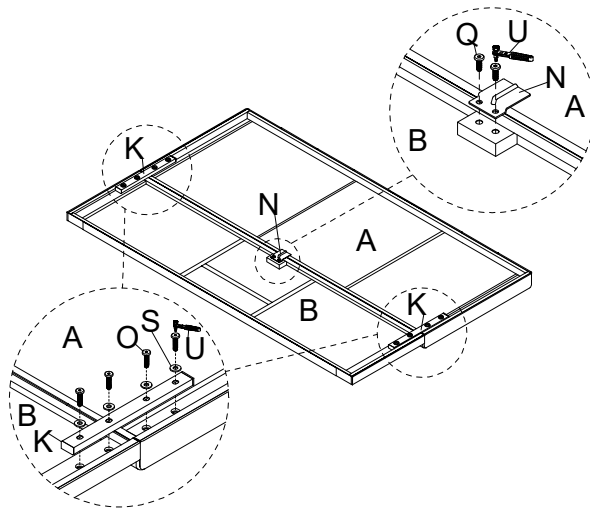


- **Loosen bolts:** Rotate the handle counterclockwise to loosen the bolt. Then continue rotating the turncap in the same direction to remove the bolt completely.

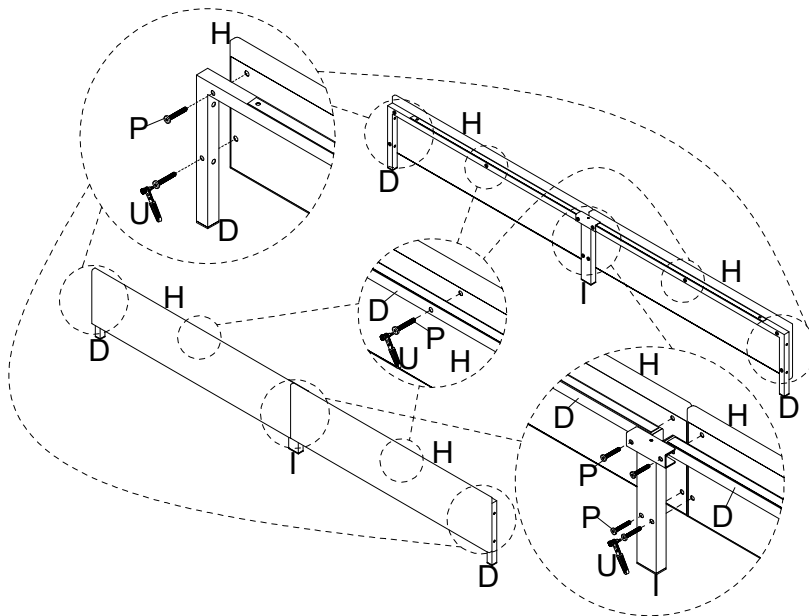


1

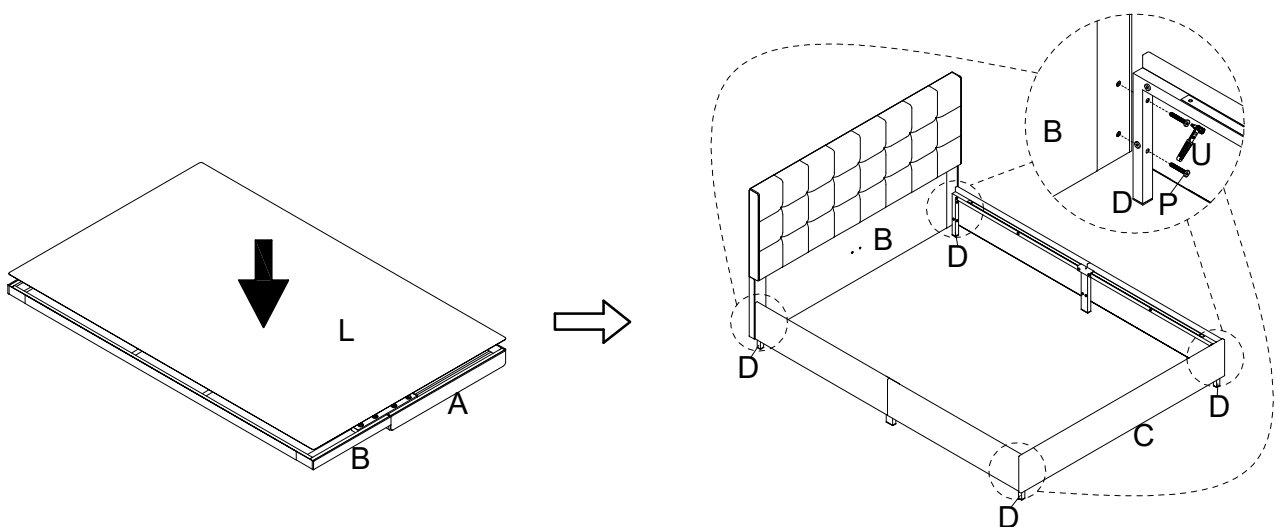
Attach the Connector (K) to Upper Headboard (A) and Lower Headboard (B), insert Bolt (O) and Washer (S), turn the Ratchet Tool (U) to tighten them. Then attach the Bracket (N) to Lower Headboard (B), insert the Bolt (Q), turn the Ratchet Tool (U) to tighten them.

**2**

Assemble the Side Rail (H), Rail Section (D), and Rail Support Leg (I), insert the Bolt (P), turn the Ratchet Tool (U) to tighten them.

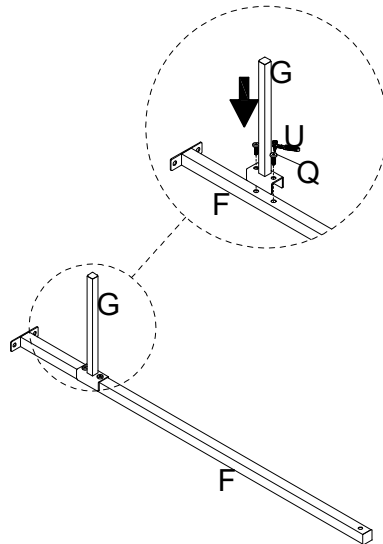
**3**

Cover the Fabric Cover (L) to the assembled headboard. Attach the Lower Headboard (B) and Footboard (C) to Rail Section (D), insert Bolt (P), turn the Ratchet Tool (U) to tighten them.

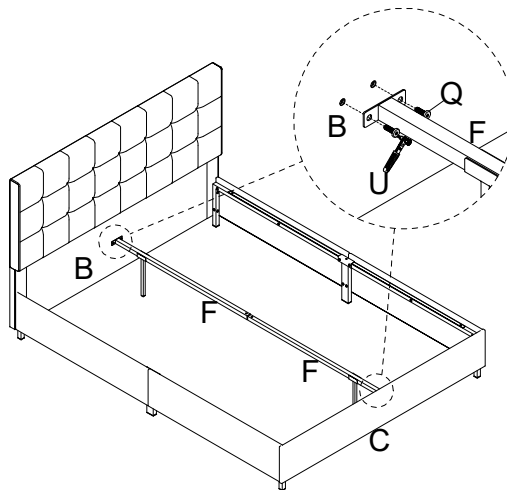


4

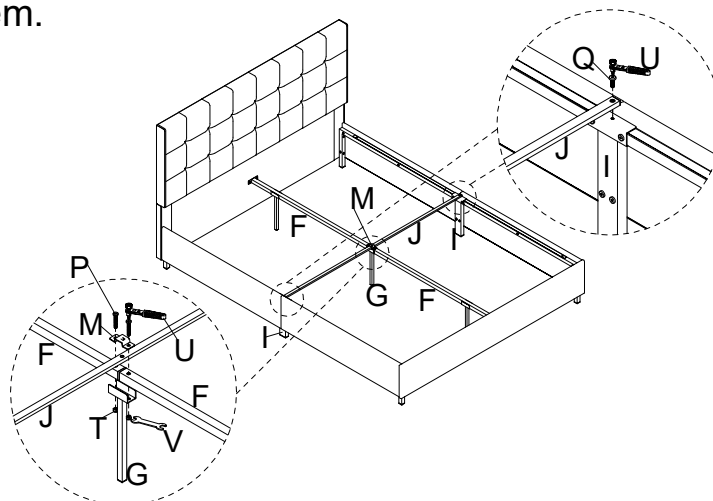
Attach the Center Support Leg (G) to the Center Rail - Front / Rear (F), insert the Bolt (Q), turn the Ratchet Tool (U) to tighten them.

**5**

Attach the Center Rail - Front / Rear (F) to the Lower Headboard (B) and the Footboard (C), insert the Bolt (Q), turn the Ratchet Tool (U) to tighten them.

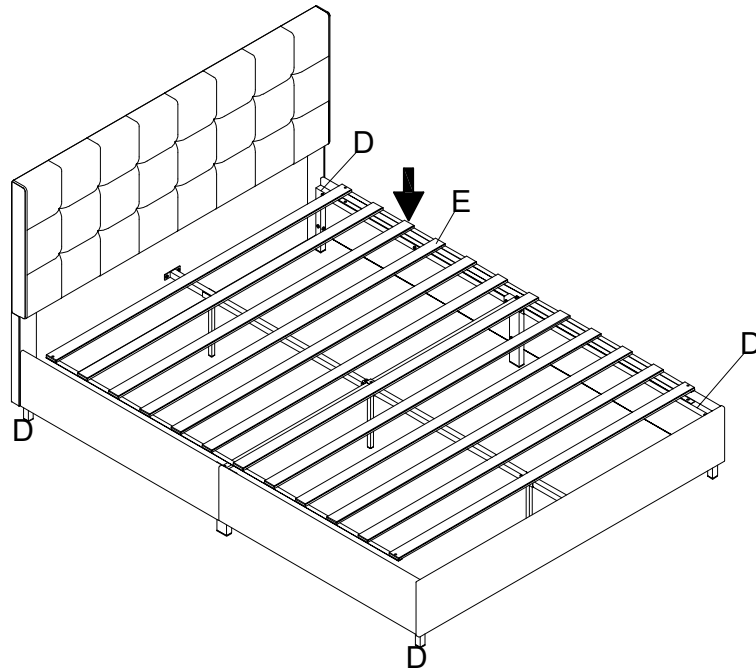
**6**

Attach the Center Rail (J) to Rail Support Leg (I), insert the Bolt (Q), turn the Ratchet Tool (U) to tighten them. Assemble the Bracket (M), Center Rail (J), Center Rail - Front / Rear (F), and Center Support Leg (G), insert the Bolt (P) and Nut (T), turn the Ratchet Tool (U) and Wrench (V) to tighten them.

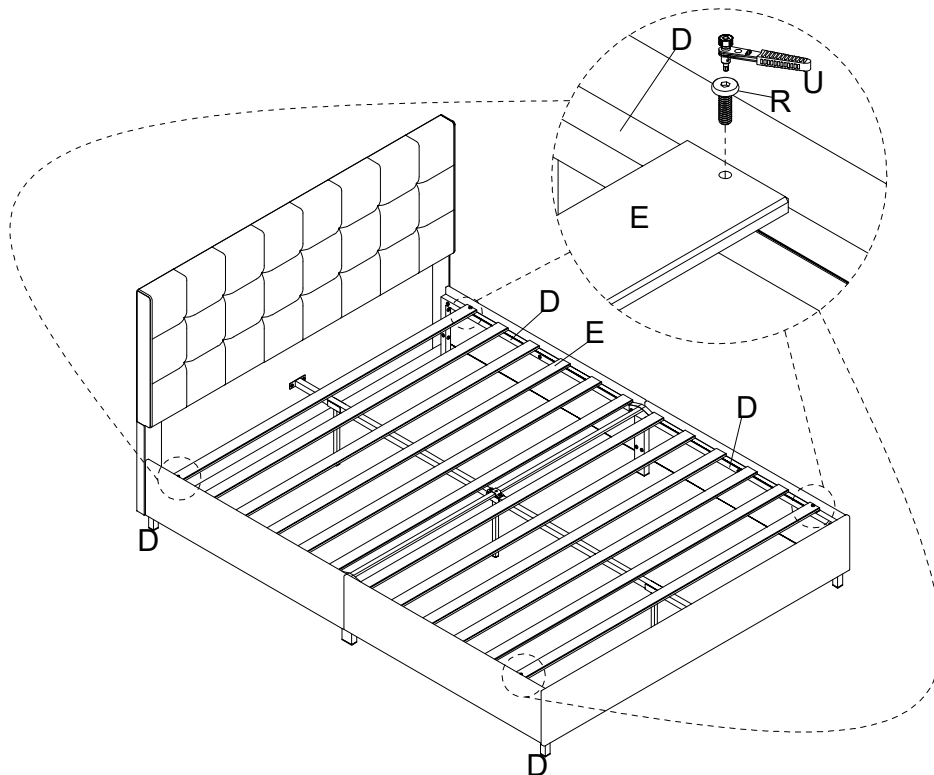


7

Expand and attach the Slat (E) to Rail Section (D).

**8**

Insert the Bolt (R) to Slat (E) and Rail Section (D), then turn the Ratchet Tool (U) to tighten them.



Cleaning & Care

Treat surface with care. Surface is resistant to scratches but is not scratch resistant. Clean surfaces with a dry or damp soft cloth. Do not use abrasive cleaners. Hardware may loosen over time. Periodically check that all connections are tight.