

RGB-25R2 VE Retrofit Door Kit

INSTALLATION INSTRUCTIONS

⚠ WARNING

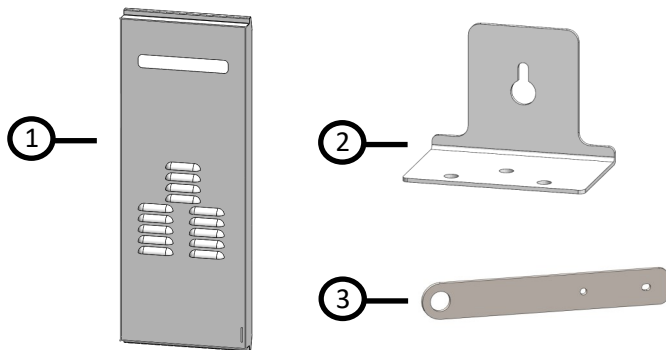
- Failure to correctly assemble the components according to these instructions may result in electric shock, injury, or death.
- A trained and qualified professional must install and inspect the recess box before use.
- Warranty will be voided due to any improper installation.
- Make sure the recess box is accessible for servicing and maintenance of the water heater.
- For outdoor installation only.

Kit Part Number	109001313
Kit Name	RGB-25R2 VE Retrofit Door Kit
For Use with RGB-25U Recess Box with Rinnai Tankless Water Heater Models:	<ul style="list-style-type: none"> • RE199e (REU-VE2737WD-US) • REP199e (REU-VEP2730WD-US) • RE180e (REU-VE2432WD-US) • RE160e (REU-VE2125WD-US) • REP160e (REU-VEP2125WD-US) • RE140e (REU-VE1720WD-US)

Items Inside Product Box

Before installation, please make sure all parts are located inside the product box.

Item #	Item	Qty
①	Front Door Panel	1
②	Hanging Bracket	1
③	Locking Bracket	1
④	Installation Instructions <i>(Image Not Shown)</i>	1

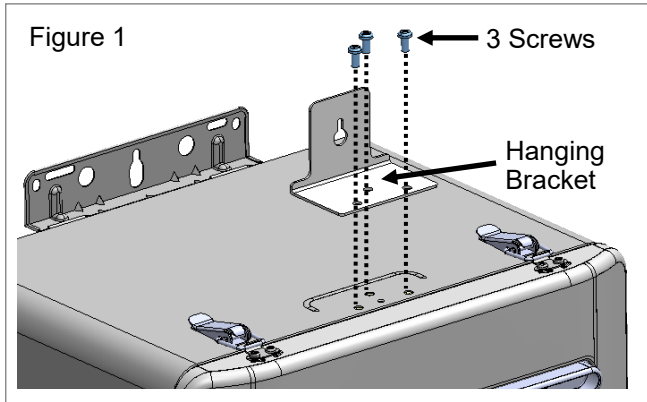


You Will Need (Field-Supplied)

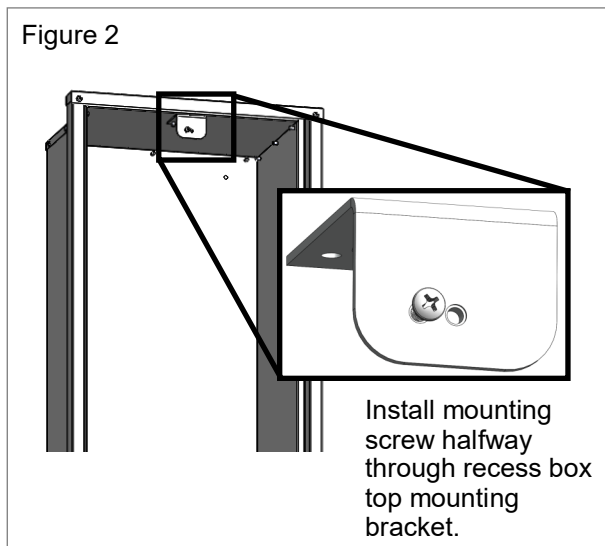
- Standard plumbing tools such as pliers, pipe wrenches and screwdrivers
- Phillips Head screwdriver

Instructions

1. Install the recess box per the installation instructions supplied with the RGB-25U recess box.
2. Remove and discard the existing RGB-25 recess box door.
3. Install the hanging bracket (supplied) using the three screws located on the top of the new RE/REP Tankless Water Heater (Figure 1).

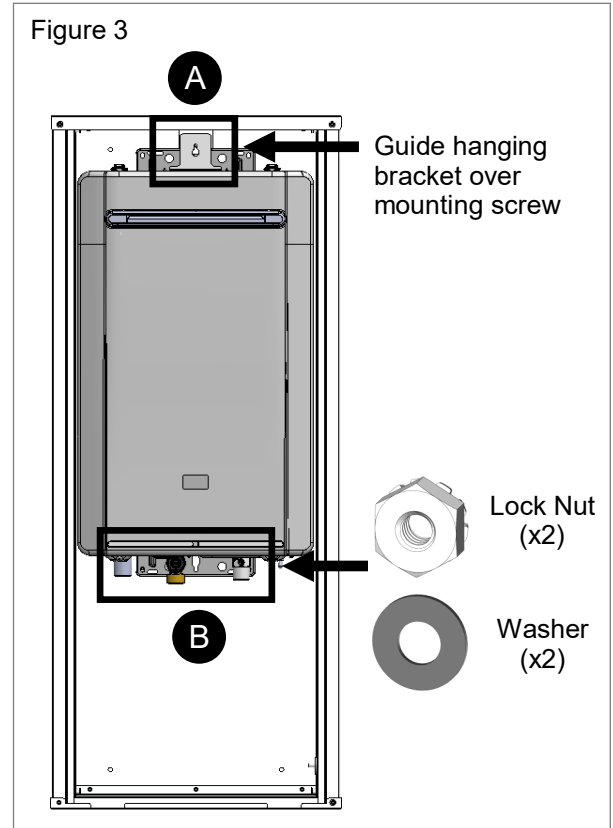


4. Install the mounting screw (supplied with recess box) halfway through the recess box top mounting bracket (Figure 2).



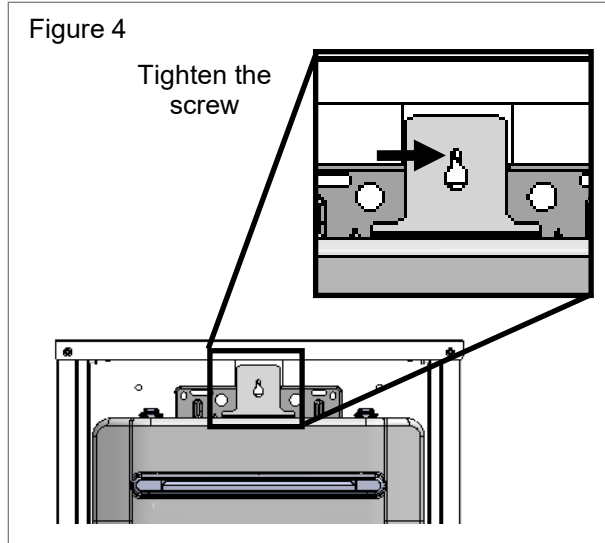
5. Lift the water heater into the recess box and guide the hanging bracket over the mounting screw ("A" in Figure 3).
6. Guide the water heater's bottom bracket over the two studs in the bottom portion of the recess box.

Attach the two lock nuts and washers (supplied with recess box) to the studs and tighten ("B" in Figure 3).

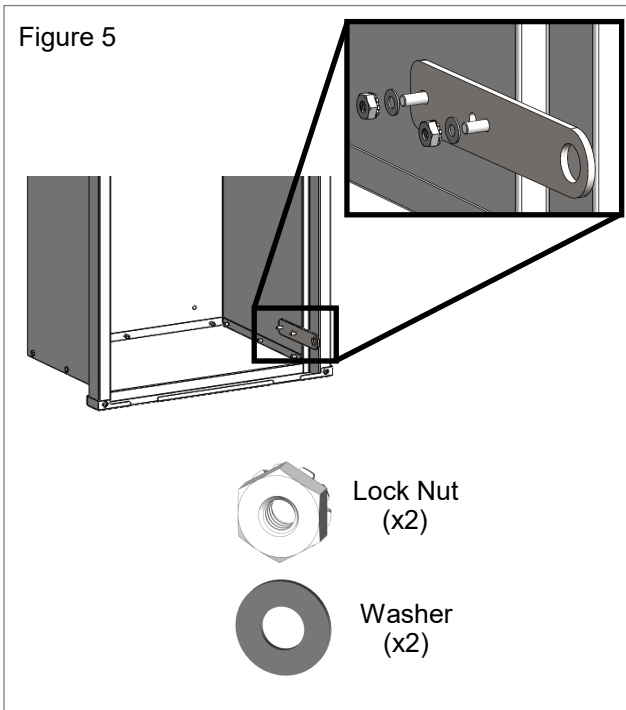


7. Tighten the top mounting bracket screw (Figure 4).

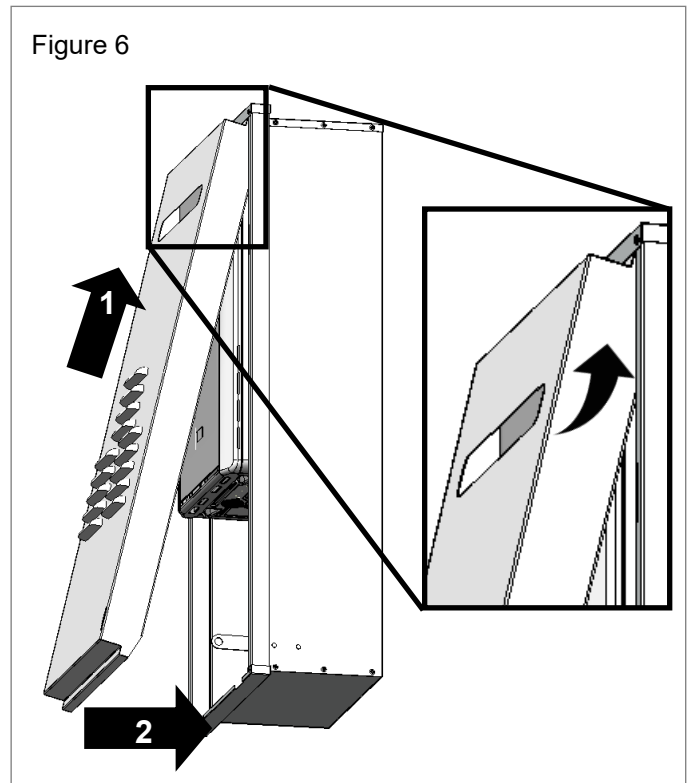
The hanging bracket on the water heater may bend slightly during tightening.



8. Install the locking bracket (supplied) with the 2 lock nuts and washers (supplied with recess box) (Figure 5).



9. Install the recess box front door panel by inserting the top end first and then pressing the bottom end into the recess box (Figure 6).



100000798
2/2022