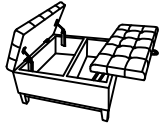






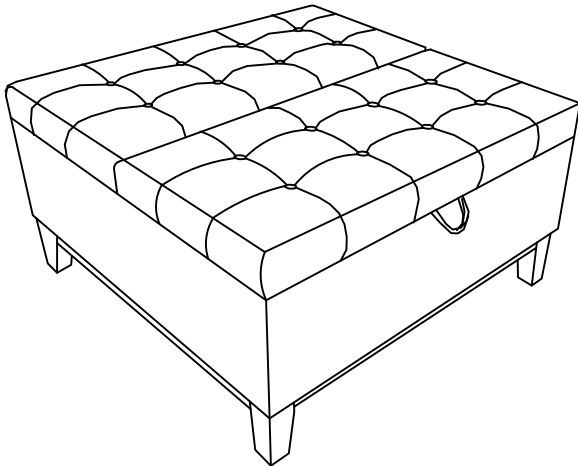


ASSEMBLY INSTRUCTION

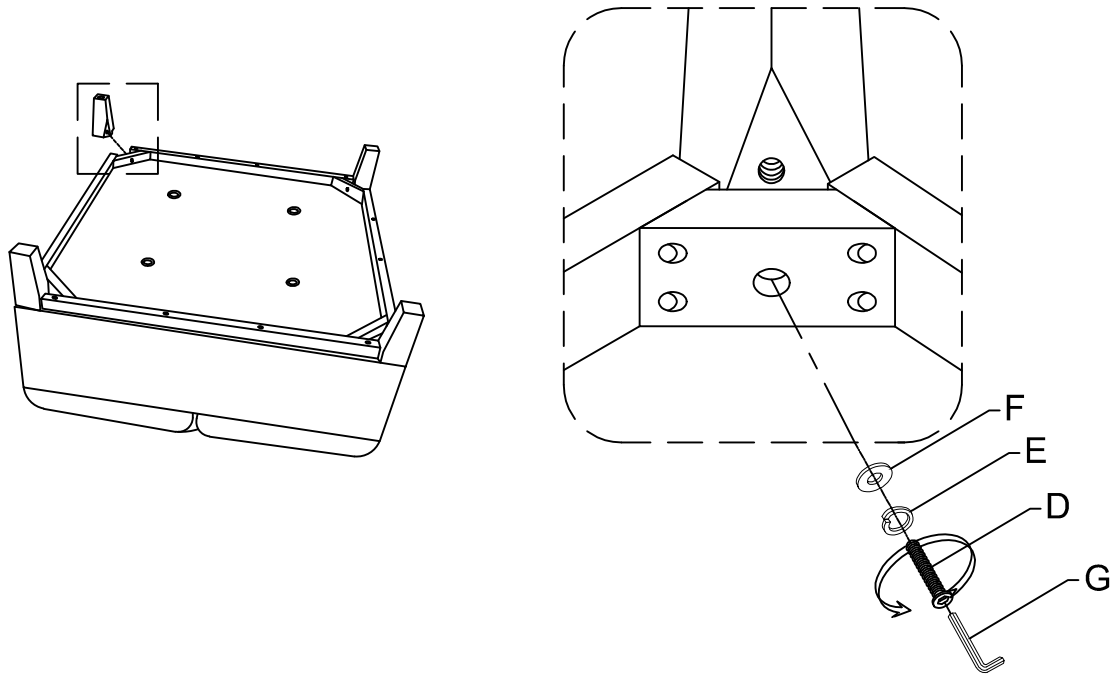
LIFT-TOP STORAGE OTTOMAN WITH 2 TRAYS

A Ottoman Body  1pc	B Tray  2pcs	C Legs  4pcs	D Black Bolt Ø5/16x2-1/2"  4pcs
E Lock Washer Ø5/16"x1.5mm  4pcs	F Flat Washer Ø5/16"x22mm  4pcs	G Allen Key 4mm  1pc	

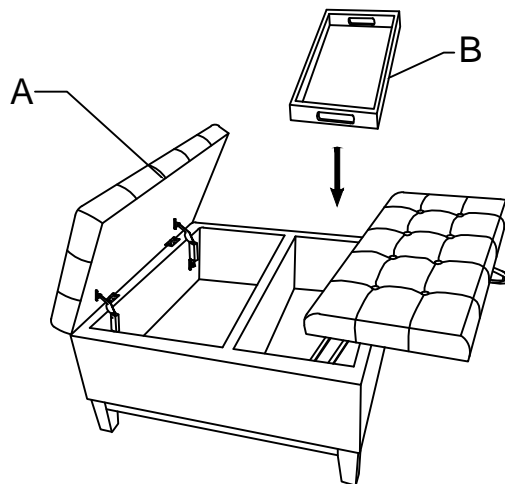


This page lists all the contents included in the box. Please take the time to identify the hardware as well as the individual components to this product. As you unpack and prepare for assembly, place the contents on a carpeted or padded area to protect them from damage.

-
- 1** Turn Ottoman Body (A) over on a clean flat surface. Remove Legs (C) from the box, then place the Legs (C) into position. Tighten Black Bolt (D), Lock Washer (E), Flat Washer (F) with Allen Key (G) to fix the legs.



-
- 2** Turn Ottoman Body (A) to its upright position, place the Tray (B) into Ottoman Body (A).



Cleaning & Care

Treat surface with care. Surface is resistant to scratches but is not scratch resistant. Clean surfaces with a dry or damp soft cloth. Do not use abrasive cleaners. Hardware may loosen over time. Periodically check that all connections are tight.