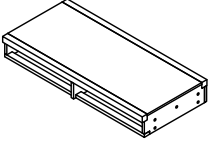
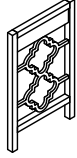
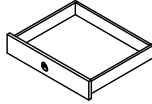


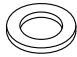

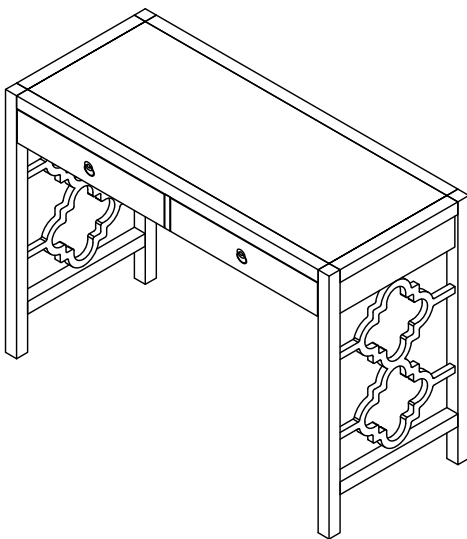


# ASSEMBLY INSTRUCTION

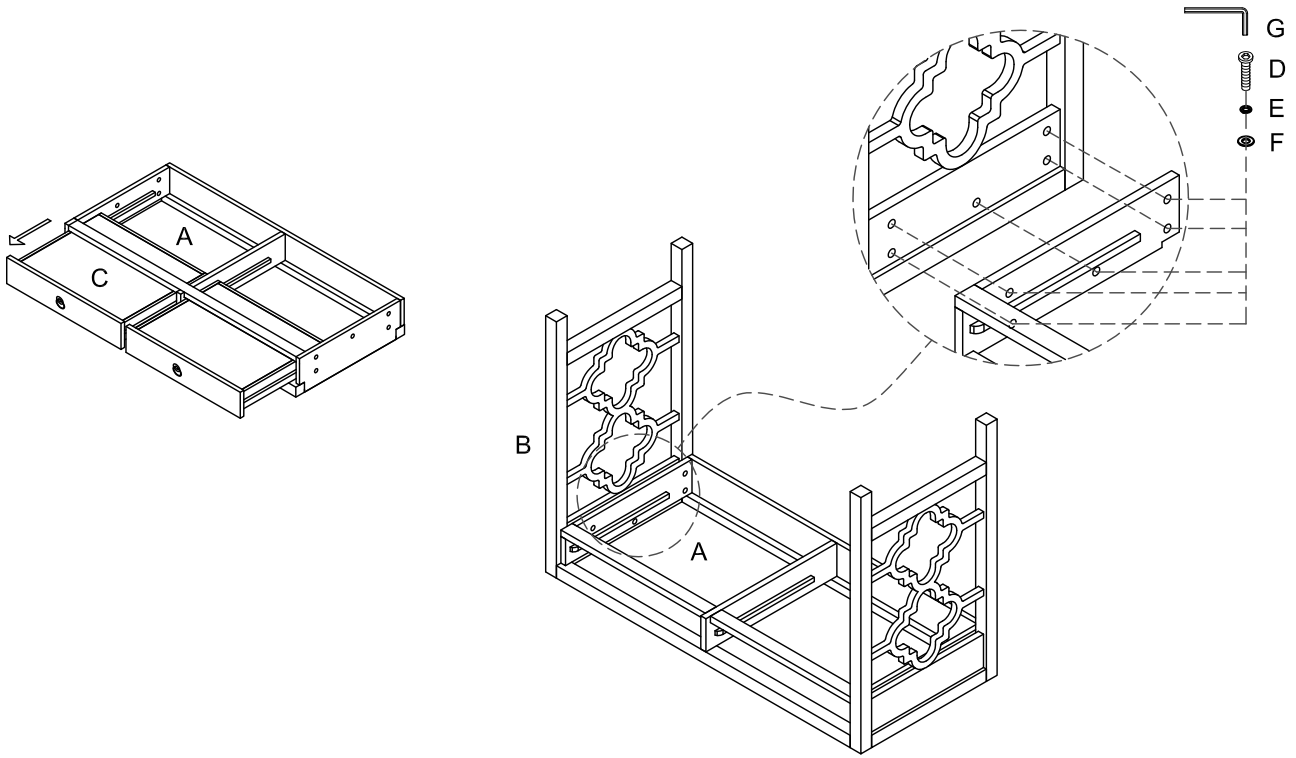
## 868-15 WRITING DESK

<b>A</b> Top Panel  1PC	<b>B</b> Leg Frame  2PCS	<b>C</b> Drawer  2PCS	<b>D</b> Bolt 1/4*1-1/4"  10PCS
<b>E</b> Lock Washer 1/4"  10PCS	<b>F</b> Flat Washer 1/4"X16mm  10PCS	<b>G</b> Allen Key 4mm  1PC	

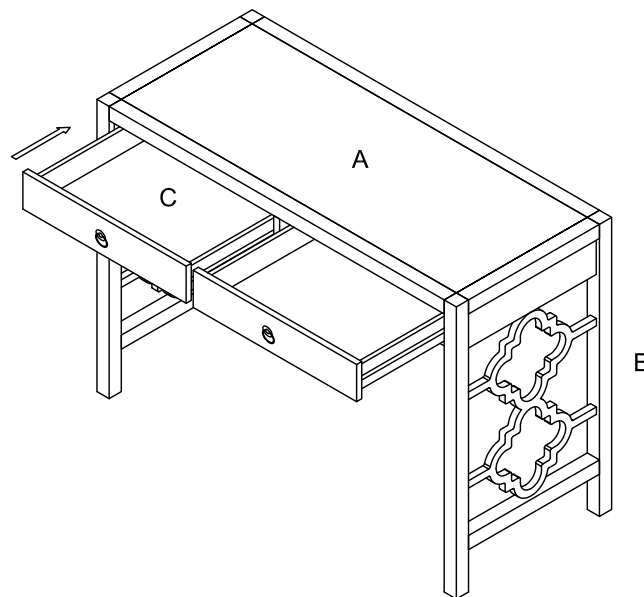


This page lists all the contents included in the box. Please take the time to identify the hardware as well as the individual components to this product. As you unpack and prepare for assembly, place the contents on a carpeted or padded area to protect them from damage.

- 
- 1** Take Drawer (C) out of Top Panel (A). Then attach Leg Frame (B) to the Top Panel (A) by using Flat Washer (F), Lock Washer (E) and Bolt (D) with Allen Key (G) .



- 
- 2** Put Drawer (C) in Top Panel (A).



---

#### Cleaning & Care

Treat surface with care. Surface is resistant to scratches but is not scratch resistant. Clean surfaces with a dry or damp soft cloth. Do not use abrasive cleaners. Hardware may loosen over time. Periodically check that all connections are tight.