
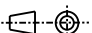
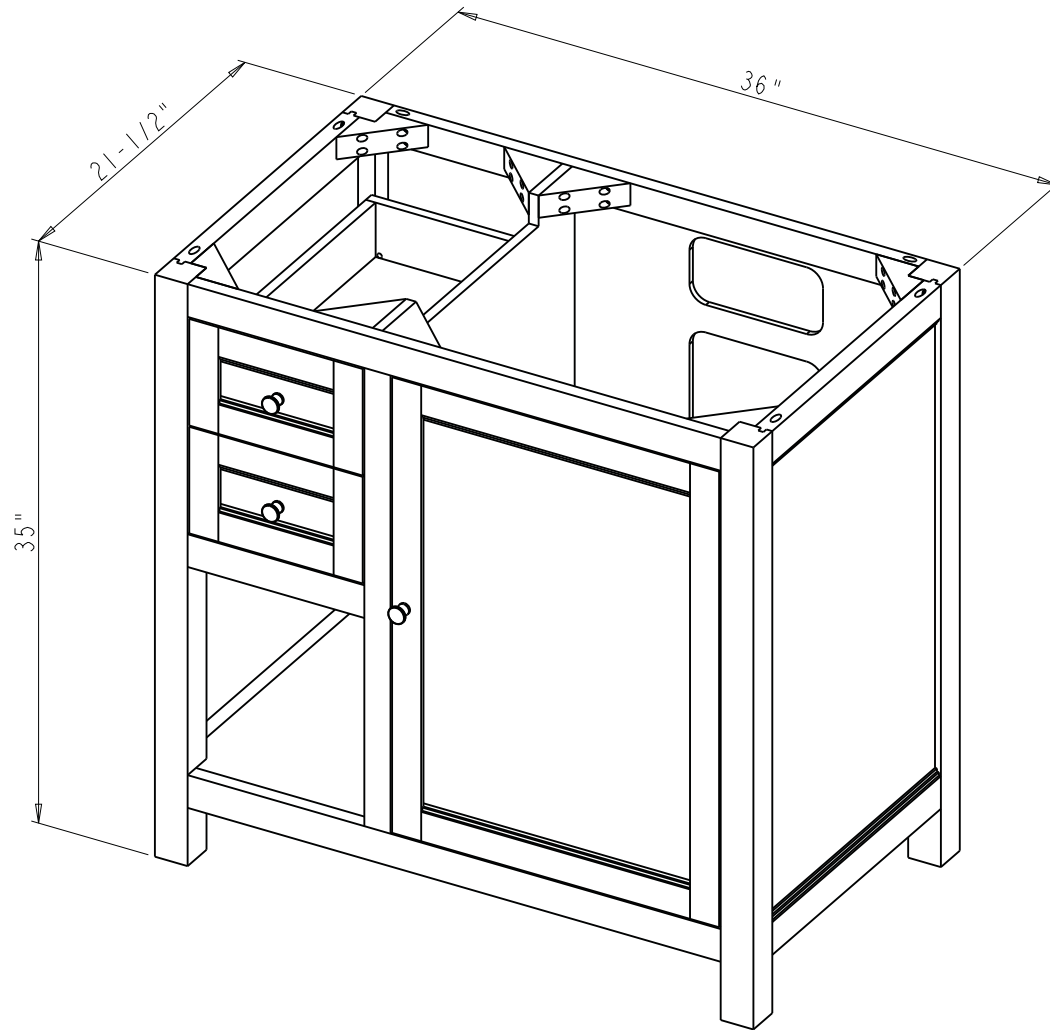



Specification:

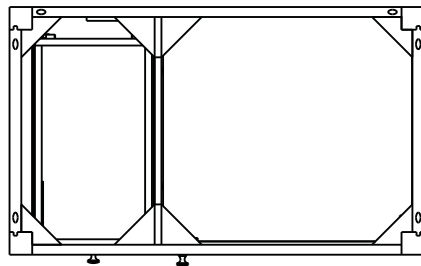
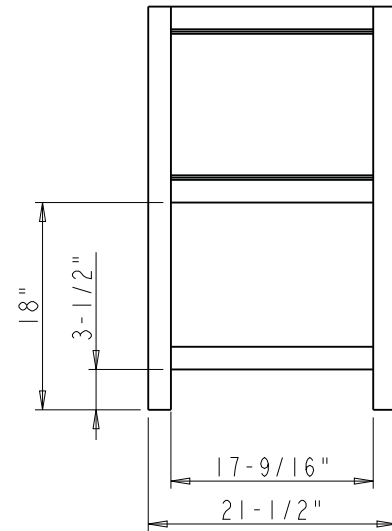
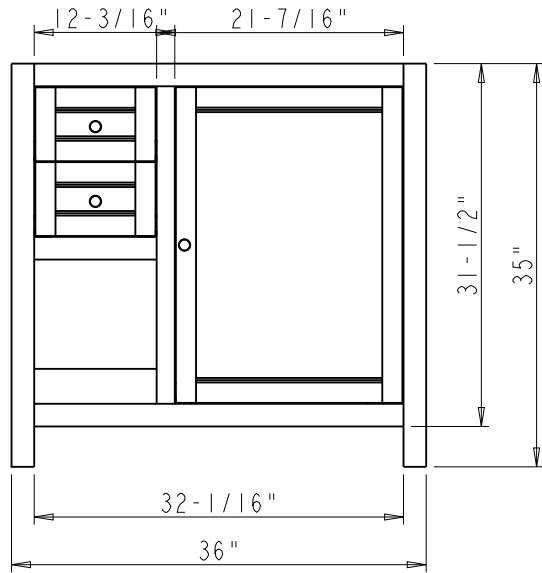
1. Material: PLY wood and Birch
2. Finish: See Table
3. Hardware: See Table
4. Shelf Supports: 1707BN ( 4 PCS )
5. Hinge: 700.0537.25 + 600.1234.05 ( 2 Set )
6. Slide: USE58-300-18 + USCLIP2ND-4W ( 3 | Set )
7. The bowl is offset to the right
8. The tolerance is +/- 1/8"


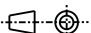
Item number	Finish	Deco Hardware	
		Item number	Qty
VN-AST-36-WH-NT	White	3915-SN	3
VN-AST-36-ES-NT	Espresso	3915-SN	3
VN-AST-36-GR-NT	Grey	3915-SN	3

 <p><b>PROPRIETARY AND CONFIDENTIAL</b></p> <p>THE INFORMATION CONTAINED IN THIS DRAWING IS THE SOLE PROPERTY OF HARDWARE RESOURCES INC. ANY REPRODUCTION IN PART OR AS A WHOLE WITHOUT THE WRITTEN PERMISSION OF HARDWARE RESOURCES INC. IS PROHIBITED.</p> <p>DO NOT SCALE DRAWING</p>	ITEM#: VN2AST-36	MATERIAL:	
	FINISH:	WEIGHT: 9	
	TOLERANCE UNLESS OTHERWISE SPECIFIED: X ±0.20 X.X ±0.10 X.XX ±0.05 ANGULAR: ±0.5°	UNITS: DRAWN BY: <b>Tony.Huang</b> APPROVED BY: RELEASE LEVEL:	DATE: Nov-18-21 DATE: REVISION:
	PROJECTION 	SHEET:	



 <p><b>PROPRIETARY AND CONFIDENTIAL</b></p> <p>THE INFORMATION CONTAINED IN THIS DRAWING IS THE SOLE PROPERTY OF HARDWARE RESOURCES INC. ANY REPRODUCTION IN PART OR AS A WHOLE WITHOUT THE WRITTEN PERMISSION OF HARDWARE RESOURCES INC. IS PROHIBITED.</p>	ITEM#: VN2AST - 36		MATERIAL:		
	FINISH:		WEIGHT: 9		
	TOLERANCE UNLESS OTHERWISE SPECIFIED: X ±0.20 X.X ±0.10 X.XX ±0.05 ANGULAR: ±0.5°		UNITS:	DRAWN BY: <i>Hugo.cai</i>	DATE: May-06-20
	DO NOT SCALE DRAWING		SIZE:	APPROVED BY:	DATE:
		SHEET:	RELEASE LEVEL:	REVISION:	



 <b>PROPRIETARY AND CONFIDENTIAL</b> THE INFORMATION CONTAINED IN THIS DRAWING IS THE SOLE PROPERTY OF HARDWARE RESOURCES INC. ANY REPRODUCTION IN PART OR AS A WHOLE WITHOUT THE WRITTEN PERMISSION OF HARDWARE RESOURCES INC. IS PROHIBITED.	ITEM:	VN2AST - 36		MATERIAL:
	FINISH:			WEIGHT:
				9
				PROJECTION 
	TOLERANCE UNLESS OTHERWISE SPECIFIED:	UNITS:	DRAWN BY:	DATE:
	X ±0.20		<i>Hugo.cai</i>	May-04-20
	X.X ±0.10	SIZE:	APPROVED BY:	DATE:
	X.XX ±0.05			
	ANGULAR: ±0.5°	SHEET:	RELEASE LEVEL:	REVISION:
	DO NOT SCALE DRAWING			