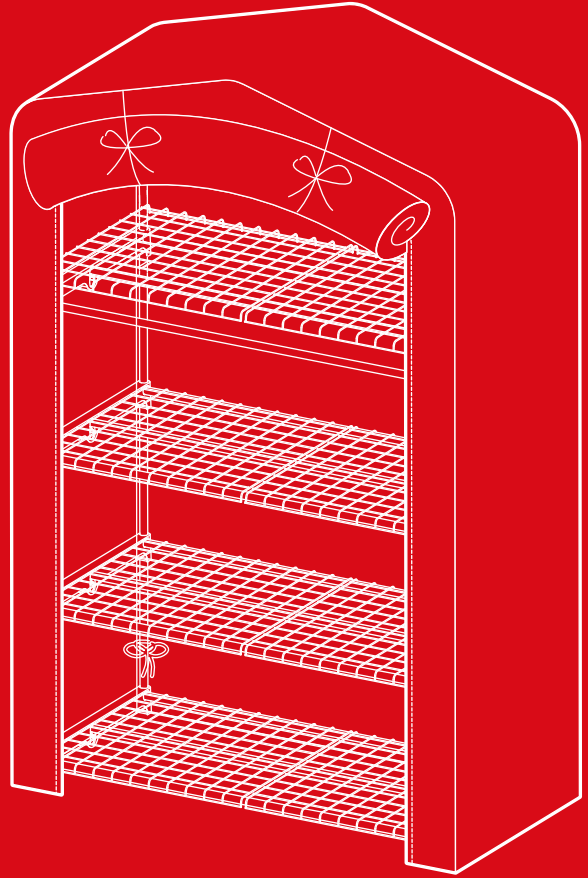




bestchoiceproducts



# INSTRUCTION MANUAL

---

Greenhouse and Cover

## ! NOTICE

- Do not stand on or use any part of this item as a step ladder.
- Firmly secure all bolts, screws, and knobs before use.
- Reconfirm that all rods, knobs, or clips are secure every 90 days.
- Do not use or store this item in the proximity of open flame or flammable/combustible chemicals.
- Be aware that some parts are heavy and have sharp edges.
- If any parts are missing, broken, damaged, or worn, stop using this product until repairs are made and/or factory replacement parts are installed.
- Do not use this item in a way inconsistent with the manufacturer's instructions as this could void the product warranty.
- Do not attempt to lift or relocate this product unless all shelves are empty.

**NOTE:** This product contains no fasteners and uses a tab and slot compression assembly. For the best results assemble this product on its side first, then adjust upright.



RUBBER Mallet  
(RECOMMENDED)



1 PERSON  
ASSEMBLY

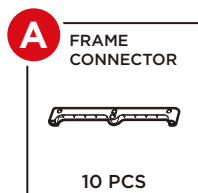


UP TO 20 MIN.  
ASSEMBLY

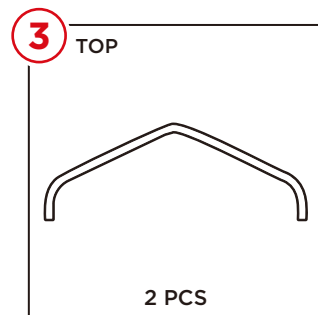
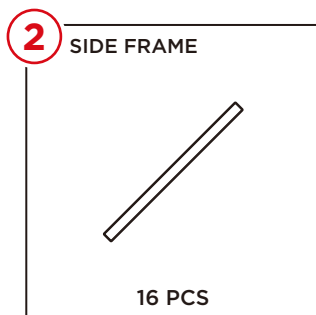
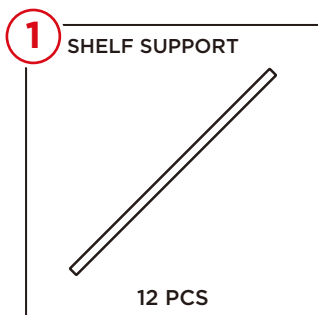
## CALIFORNIA PROPOSITION 65

**WARNING:** This product can expose you to Diisononyl phthalate (DINP), which is known to the State of California to cause cancer. For more information go to [www.P65Warnings.ca.gov](http://www.P65Warnings.ca.gov)

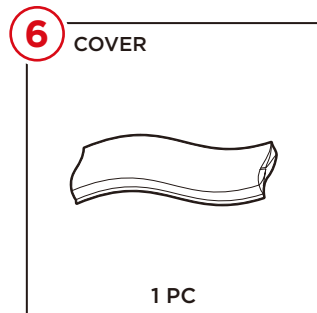
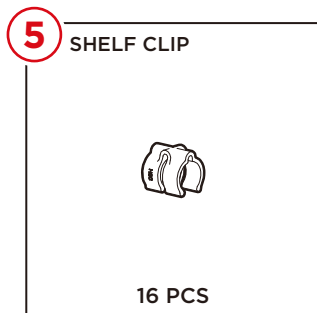
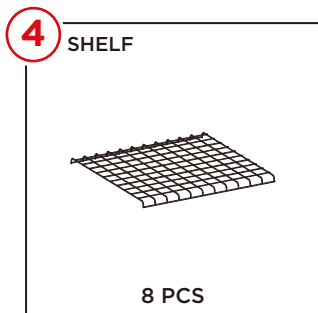
## HARDWARE



## PARTS



## PARTS

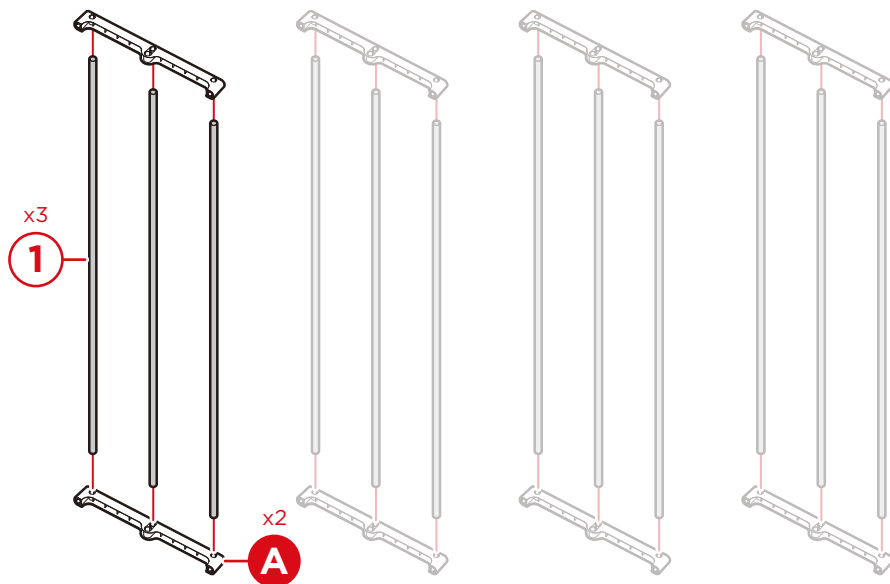


## PRODUCT ASSEMBLY

**1**

Insert three **part 1 shelf supports** into two **part A frame connectors**. Firmly press the supports into the frame connector, then gently tap with a rubber mallet or fist to secure.

Repeat three times to assemble the remaining frames.

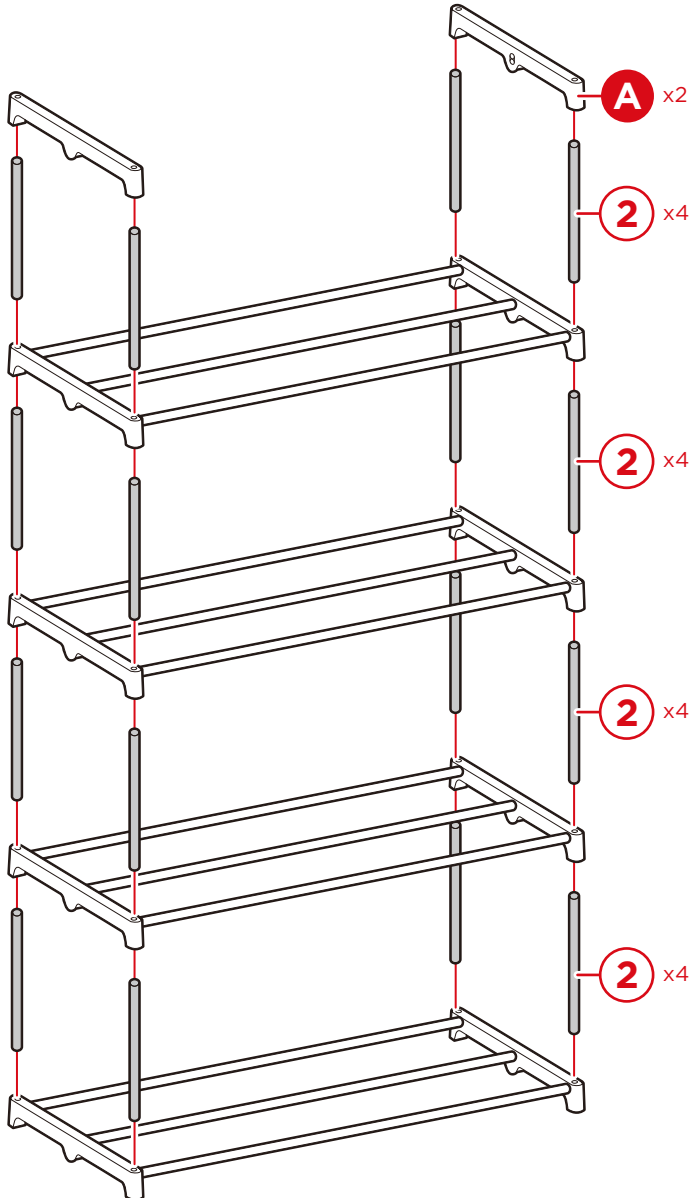


## PRODUCT ASSEMBLY

2

Insert four **part 2 side frames** into two **part A frame connectors**, two frames per connector. Repeat three times to assemble the remaining frames.

Connect the four frame assemblies by inserting the side frames into the bottom openings on the frame connectors. Firmly press the supports into the frame connector, then gently tap with a mallet or fist to secure.

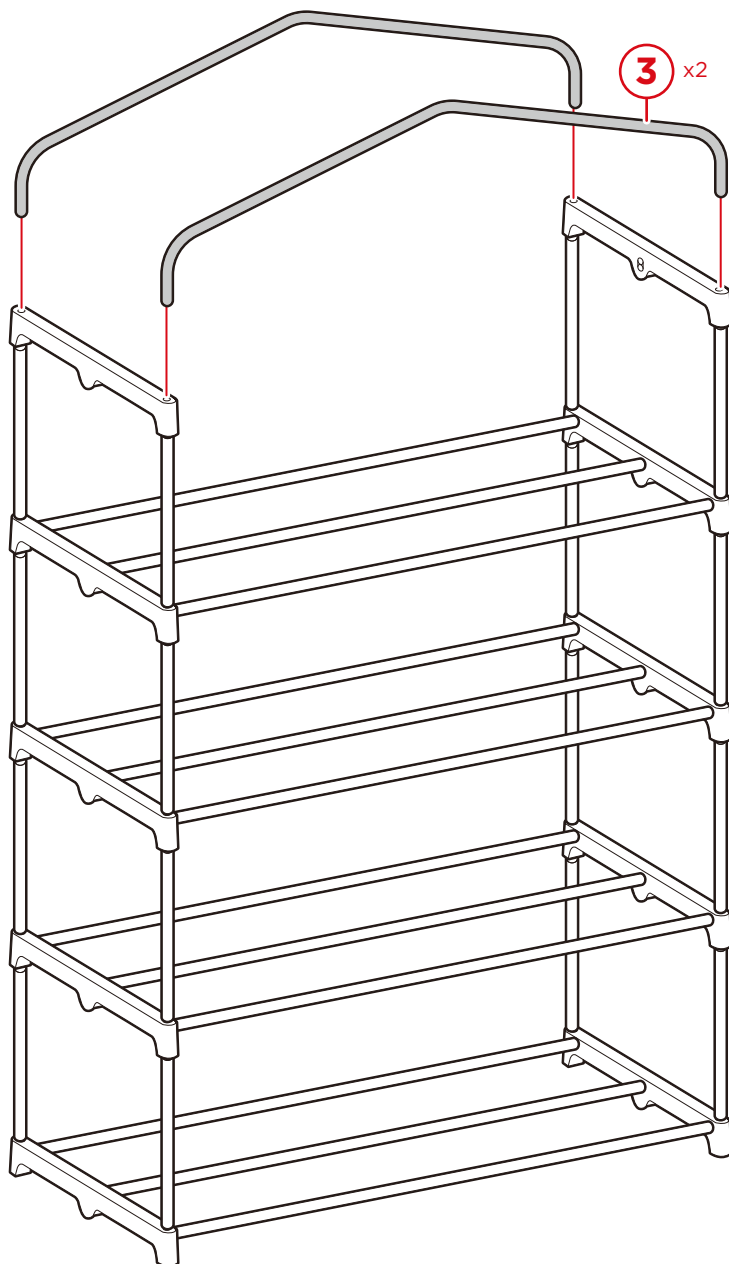


## PRODUCT ASSEMBLY

3

Insert two **part 3 tops** into the topmost frame connectors. Firmly press the supports into the frame connector.

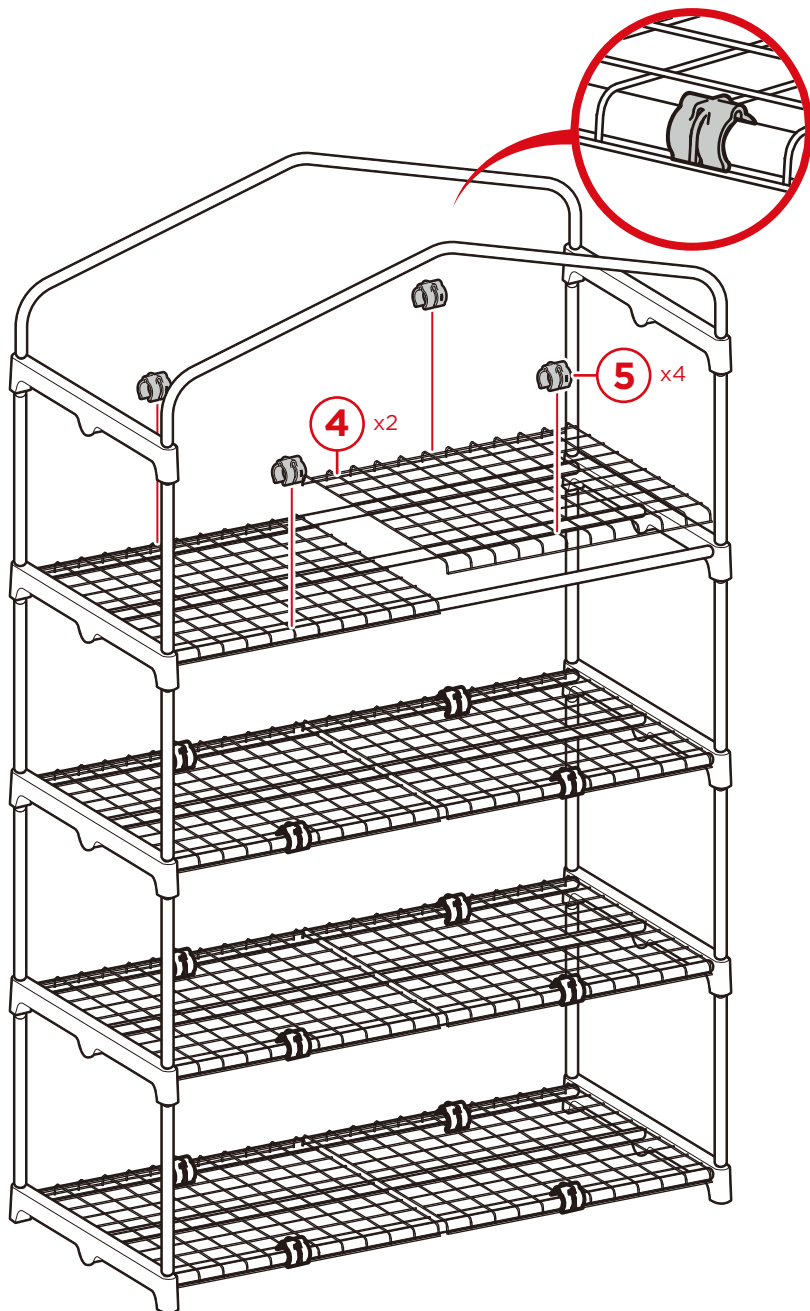
Check for any loose connections and place the assembled product upright.



## PRODUCT ASSEMBLY

4

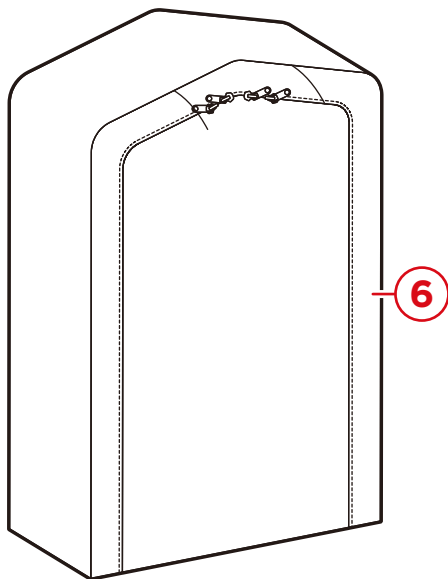
Place two **part 4 shelves** onto the supports and secure with four **part 5 shelf clips**, two clips per shelf.



## PRODUCT ASSEMBLY

5

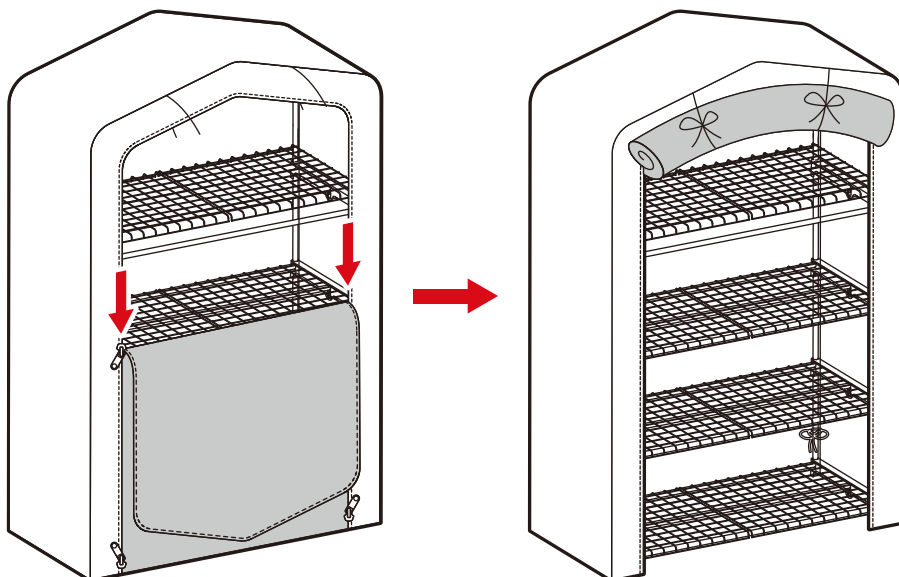
Place the **part 6 cover** on top of the shelf assembly.



6

Release two zippers to open the cover and secure to the top of the cover for easy maintenance.

**NOTE:** To assure a secure assembly, place this item flat against an existing wall, and firmly push on each level/shelf.





# HELP CENTER



Question about your product? We're here to help. Visit us at:

[help.bestchoiceproducts.com](http://help.bestchoiceproducts.com)



Chat Support



Product Inquiry



Orders FAQ



Product Assembly



Returns & Refunds

## PRODUCT WARRANTY INFORMATION

All items can be returned for any reason within 60 days of the receipt and will receive a full refund as long as the item is returned in its original product packaging and all accessories from its original shipment are included. All returned items will receive a full refund back to the original payment method. All returned items will not be charged a re-stocking fee.

All returned items require an RA (Return Authorization) number, which can only be provided by a Best Choice Products Customer Service Representative when the return request is submitted. Items received without an RA may not be accepted or may increase your return processing time. Once an item has been received by Best Choice Products, refunds or replacements will be processed within 5 business days.

All returns must be shipped back to the Best Choice Products Return Center at the customer's expense. If the reason for return is a result of an error by Best Choice Products then Best Choice Products will provide a pre-paid shipping label via email. Boxes for return shipping will not be provided by Best Choice Products, and is the customer's responsibility to either use the original shipping boxes or purchase new boxes.

Pictures may be required for some returns to ensure an item is not damaged prior to its return. Items returned are not considered undamaged until they are received by Best Choice Products and verified as such. All damages to items are the customer's responsibility until the item has been received by and acknowledge by Best Choice Products as undamaged.



## WARNING

Manufacturer and seller expressly disclaim any and all liability for personal injury, property damage or loss, whether direct, indirect, or incidental, resulting from the incorrect attachment, improper use, inadequate maintenance, unapproved modification, or neglect of this product.