



# Side by Side REFRIGERATORS

**SAFETY INFORMATION** ..... 3

**USING THE REFRIGERATOR**

Features ..... 6

Controls ..... 8

Sabbath Mode ..... 9

Shelves and Bins ..... 10

Drawers ..... 11

Dispenser ..... 11

WiFi ..... 12

Demand Response ..... 13

XWFE Water Filter ..... 14

Automatic Icemaker ..... 15

**CARE AND CLEANING** ..... 16

**INSTALLATION INSTRUCTIONS**

Before You Begin ..... 18

Preparation ..... 18

Tools You May Need ..... 18

Dimensions ..... 19

Moving the Refrigerator ..... 21

Installing the Refrigerator ..... 24

Installing the Water Line ..... 27

**TROUBLESHOOTING TIPS** ..... 31

**LIMITED WARRANTY** ..... 35

**WATER FILTER CARTRIDGE WARRANTY** ..... 36

**APPLIANCE COMMUNICATION** . 30

**CONSUMER SUPPORT** ..... 40

**OWNER'S MANUAL  
AND INSTALLATION  
INSTRUCTIONS**

GSS, GSE, GZS

**ENGLISH/FRANÇAIS/  
ESPAÑOL**

Write the model and serial numbers here:

Model # \_\_\_\_\_

Serial # \_\_\_\_\_

Find these numbers on a label on the top inner case liner of the unit toward the front.

## **THANK YOU FOR MAKING GE APPLIANCES A PART OF YOUR HOME.**

---

Whether you grew up with GE Appliances, or this is your first, we're happy to have you in the family.

We take pride in the craftsmanship, innovation and design that goes into every GE Appliances product, and we think you will too. Among other things, registration of your appliance ensures that we can deliver important product information and warranty details when you need them.

Register your GE appliance now online. Helpful websites and phone numbers are available in the Consumer Support section of this Owner's Manual. You may also mail in the pre-printed registration card included in the packing material.



**GE APPLIANCES**

# IMPORTANT SAFETY INFORMATION

## READ ALL INSTRUCTIONS BEFORE USING THE APPLIANCE

**⚠ WARNING** To reduce the risk of fire, explosion, electric shock, or injury when using your refrigerator, follow these basic safety precautions:

- This refrigerator must be properly installed and located in accordance with the Installation Instructions before it is used.
- Unplug the refrigerator before making repairs or cleaning.
 

**NOTE:** Power to the refrigerator cannot be disconnected by any setting on the control panel.

**NOTE:** Repairs must be performed by a qualified Service Professional.
- Replace all parts and panels before operating.
- Do not use an extension cord.
- Do not store or use gasoline or other flammable vapors and liquids in the vicinity of this or any other appliance.
- Do not store explosive substances such as aerosol cans with a flammable propellant in this appliance.
- To prevent suffocation and entrapment hazards to children, remove the refrigerator and freezer doors from any refrigerator before disposing of it or discontinuing its use.
- To avoid serious injury or death, children should not stand on, or play in or with the appliance.
- Children and persons with reduced physical, sensory or mental capabilities or lack of experience and knowledge can use this appliance only if they are supervised or have been given instructions on safe use and understand the hazards involved.
- This appliance is intended to be used in household and similar applications such as: staff kitchen areas in shops, offices and other working environments; farm houses; by clients in hotels, motels, bed & breakfast and other residential environments; catering and similar non-retail applications.
- Connect to potable water supply only. A cold water supply with water pressure between 40 and 120 psi (275-827 kilopascals) is required to operate the water dispenser and ice maker.
- Do not apply harsh cleaners to the refrigerator. Certain cleaners will damage plastic which may cause parts such as the door or door handles to detach unexpectedly. See the Care and Cleaning section for detailed instructions.

**⚠ CAUTION** To reduce the risk of injury when using your refrigerator, follow these basic safety precautions.

- Do not clean glass shelves or covers with warm water when they are cold. Glass shelves and covers may break if exposed to sudden temperature changes or impact, such as bumping or dropping. Tempered glass is designed to shatter into many small pieces if it breaks.
- Keep fingers out of the “pinch point” areas; clearances between the doors and between the doors and cabinet are necessarily small. Be careful closing doors when children are in the area.
- Do not touch the cold surfaces in the freezer compartment when hands are damp or wet, skin may stick to these extremely cold surfaces.
- Do not refreeze frozen foods which have thawed completely.
- In refrigerators with automatic icemakers, avoid contact with the moving parts of the ejector mechanism. Do not place fingers or hands on the automatic ice making mechanism while the refrigerator is plugged in.
- Use a sturdy glass when dispensing ice (on models with ice dispenser).

## INSTALLATION

**⚠ WARNING**  **FIRE OR EXPLOSION HAZARD**

Keep flammable materials and vapors away from refrigerator. Failure to do so can result in fire, explosion, or death.

# READ AND SAVE THESE INSTRUCTIONS

# IMPORTANT SAFETY INFORMATION

## READ ALL INSTRUCTIONS BEFORE USING THE APPLIANCE

### **⚠ WARNING** FIRE OR EXPLOSION HAZARD Flammable Refrigerant

This appliance contains isobutane refrigerant, also known as R600a, a natural gas with high environmental compatibility. However, it is also combustible. Adhere to the warnings below to reduce the risk of injury or property damage.

1. When handling, installing and operating the appliance, care should be taken to avoid damage to the refrigerant tubing.
2. Service shall only be performed by authorized service personnel. Use only manufacturer-authorized service parts.
3. Dispose of refrigerator in accordance with the Federal and Local Regulations. The flammable refrigerant and insulation material used in this product require special disposal procedures. Contact your local authorities for the environmentally safe disposal of your refrigerator.
4. Keep ventilation openings in the appliance enclosures or in the built-in structure clear of obstruction.
5. To remove frost, scrape with a plastic or wood spatula or scraper. Do not use an ice pick or a metal or sharp-edged instrument as it may puncture the freezer liner and then the flammable refrigerant tubing behind it.
6. Do not use electrical appliances inside the food storage compartment of the appliance.
7. Do not use any electrical device to defrost your freezer.

## CONNECTING ELECTRICITY

### **⚠ WARNING** ELECTRICAL SHOCK HAZARD

Plug into a grounded 3-prong outlet

Do not remove the ground prong

Do not use an adapter

Do not use an extension cord.

Failure to follow these instructions can result in death, fire, or electrical shock.

**Do not, under any circumstances, cut or remove the third (ground) prong from the power cord. For personal safety, this appliance must be properly grounded.**

The power cord of this appliance is equipped with a 3-prong (grounding) plug which mates with a standard 3-prong (grounding) wall outlet to minimize the possibility of electric shock hazard from this appliance.

Have the wall outlet and circuit checked by a qualified electrician to make sure the outlet is properly grounded.

Where a standard 2-prong wall outlet is encountered, it is your personal responsibility and obligation to have it replaced with a properly grounded 3-prong wall outlet. Do not use an adapter.

The refrigerator should always be plugged into its own individual electrical outlet which has a voltage rating that matches the rating plate.

Do not locate multiple portable socket-outlets or portable power supplies at the rear of the appliance.

A 115 Volt AC, 60 Hz, 15 A or 20 A fused, grounded electrical supply is required. This provides the best performance and also prevents overloading house wiring circuits which could cause a fire hazard from overheated wires.

Never unplug your refrigerator by pulling on the power cord. Always grip plug firmly and pull straight out from the outlet.

Immediately discontinue use of a damaged supply cord. If the supply cord is damaged, it must be replaced by a qualified service professional with an authorized service part from the manufacturer.

When moving the refrigerator away from the wall, be careful not to roll over or damage the power cord.

## READ AND SAVE THESE INSTRUCTIONS

# IMPORTANT SAFETY INFORMATION

## READ ALL INSTRUCTIONS BEFORE USING THE APPLIANCE

---

### PROPER DISPOSAL OF YOUR OLD APPLIANCE

#### **⚠ WARNING** SUFFOCATION AND CHILD ENTRAPMENT HAZARD

Failure to follow these disposal instructions can result in death or serious injury.

**IMPORTANT:** Child entrapment and suffocation are not problems of the past. Junked or abandoned refrigerators are still dangerous even if they will sit for “just a few days.” If you are getting rid of your old refrigerator, please follow the instructions listed to help prevent accidents.

#### **Before You Throw Away Your Old Appliance:**

- Take off the refrigerator and freezer doors.
- Leave the shelves in place so that children may not easily climb inside.

#### **REFRIGERATOR DISPOSAL:**

Dispose of or recycle your appliance in accordance with Federal and Local Regulations. Flammable refrigerant and insulation material used requires special disposal procedures. Contact your local authorities for the environmentally safe disposal or recycling of your refrigerator.

### Garage Operation for Locations between 38°F – 110°F (3.3°C – 43.3°C)

---

Some models are equipped as GARAGE READY and can be operated in locations with ambient temperature between 38°F – 110°F (3.3°C – 43.3°C). The electronic controls will automatically adjust to this range of ambient conditions in order to maintain temperature inside the refrigerator.

#### **IMPORTANT**

To reduce the risk of water leakage, it is required that the water supply be disconnected under low ambient conditions less than 54°F (12.2°C).

Failure to follow these instructions can result in damage to the product.

## READ AND SAVE THESE INSTRUCTIONS

# Features

Not all features are on all models.



External Dispenser model



External Dispenser model  
with LED Light Walls

- 1 Space-saving ice maker**  
Icemaker and bin are located on the door, creating more usable storage space in the freezer.
- 2 Showcase LED lighting**
  - LED Light Walls: Two, bright LED light walls help illuminate every corner of your fridge and freezer, allowing you to see everything and find it fast. (some models)
  - LED Lighting: Quickly find even the smallest items thanks to flush-mounted LED lighting, which sheds crisp light throughout the interior. (some models)
- 3 MultiVent Cooling**  
The MultiVent Cooling Air Tower is designed to evenly distribute cold air in the freezer and refrigerator compartments.
- 4 Adjustable Glass Shelves**  
Store more of your favorite tall items like two-liters and enjoy organizational flexibility at each level with adjustable, edge-to-edge, glass shelves that extend from wall to wall.
- 5 Adjustable Door Bins**  
Move the clear door bins up and down to fit your needs – whether it's large gallons, tall bottles, or everyday essentials.
- 6 Frozen food drawer**  
Ideal for storing bulky or bagged frozen goods, these drawers make it easy to organize and find what you need.
- 7 Fruit and Vegetable Drawer**  
Keep fruits and vegetables organized in separate compartments for easy access.
- 8 Advanced Water & Ice Filtration**  
The included refrigerator water filter reduces 50+ impurities including lead, chlorine, microplastics, and PFOA/PFOS; providing clean, safe drinking water and ice.

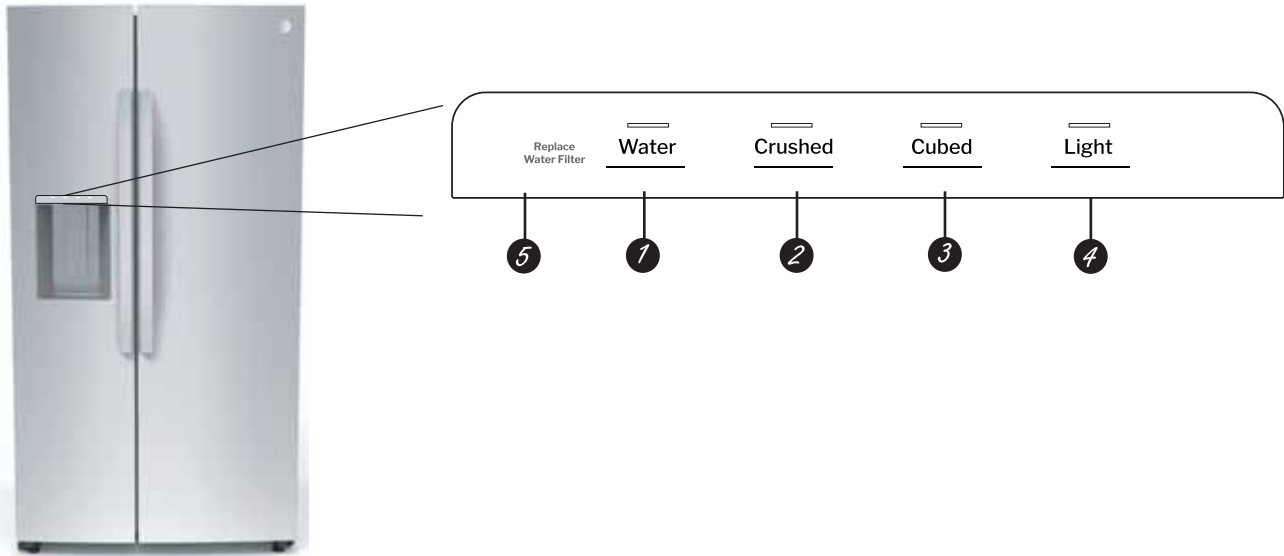
# Features

Not all features are on all models.

## EXTERNAL ICE AND WATER DISPENSER CONTROLS

Easily access clean water and filtered ice from an extra tall dispenser made to fill everyone in the family's favorite water bottle.

The refrigerator is shipped with protective film covering the controls. If the film was not removed during installation, remove it now.



- 1 Water**  
Press to select Water to dispense when the paddle is pressed.
- 2 Crushed**  
Press to select Crushed Ice when the paddle is pressed.
- 3 Cubed**  
Press to select Cubed ice when the paddle is pressed.

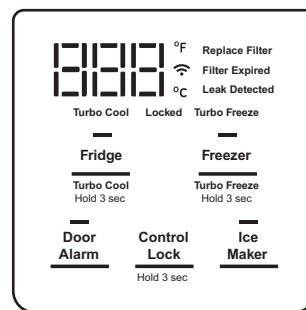
- 4 Light**  
Press to control dispenser lighting. Chime will accompany each press.
- 5 Replace Water Filter**  
Filter status light illuminates at 10% remaining life.

# Controls

## REFRIGERATOR/FREEZER CONTROLS

The refrigerator is shipped with protective film covering the controls. If the film was not removed during installation, remove it now.

The recommended temperature settings, preset from the factory, are 37°F (3°C) for the refrigerator and 0°F (-18°C) for the freezer.



### Door Alarm

Sounds an alert when the freezer or refrigerator doors have been left open. Snooze the alert by pressing any key. Press **Door Alarm** to activate or deactivate while an alert is not active.

### Control Lock

Press and hold **Control Lock** for 3 seconds to lock out the ice/water dispenser, feature buttons, and temperature controls. To deactivate, press and hold **Control Lock** for 3 seconds.

### Ice Maker

Press **Ice Maker** to turn on and off.

### WiFi

Some models have built-in WiFi capability. Simultaneously press and hold the **Door Alarm** and **Ice Maker** buttons for 3 seconds to enter/exit the connected setup mode. Follow the instructions in the SmartHQ app to complete the process. If your model is not equipped with the built-in WiFi feature, an optional accessory can be added (#PBX23W00Y1).

### Replace Filter

Illuminates when 10% of filter life remains.

### Filter Expired

Illuminates when the filter is expired and needs to be replaced. Filter expires when it reaches its water usage capacity or 6 months of use (whichever comes first). **Err** illuminates on the display when no filter is present or the wrong filter is installed.

### TurboCool

Activate TurboCool to quickly recover the temperature of the Fridge compartment after frequent door openings. Press and hold TurboCool button for 3 seconds to activate /deactivate the TurboCool Function.

### TurboFreeze

Activate TurboFreeze to quickly restore freezer temperatures after frequent door openings.

### Fahrenheit / Celsius

To change between C and F, press and hold the **Freezer** and **Door Alarm** buttons for 3 seconds simultaneously.

### Volume Control

Press and hold the **Door Alarm** button. It will cycle through options of Low, High and Off.

### Sabbath Mode

Simultaneously hold the **Fridge** and **Control Lock** buttons for three seconds to enter and exit Sabbath mode.

### Freezer Compartment Temperature Control

Adjust freezer compartment temperature. The freezer temperature is preset in the factory at **0°F (-18°C)**. Allow 24 hours for temperature to stabilize to the preset recommended setting.

### Refrigerator Compartment Temperature Control

Adjust refrigerator compartment temperature. The refrigerator temperature is preset in the factory at **37°F (3°C)**. Allow 24 hours for temperature to stabilize to the preset recommended setting.

### Leak Detected

Illuminates when water is detected outside the filter which indicates a leak.

# Sabbath Mode

## Automatic Sabbath Mode **OU** (Orthodox Union) and **CRC** (Central Rabbinical Congress)

This refrigerator offers an OU and CRC Sabbath mode that complies with standards set forth by Orthodox Union, the Central Rabbinical Congress, and Halacha Tech, and is 100% certified to the highest halacha standards. In order to enable the OU and CRC Sabbath mode, a separate Shabbos Keeper for Refrigerators must be connected to the refrigerator. The Shabbos Keeper can be purchased from [zmantechnologies.com](http://zmantechnologies.com) or [geappliances.com](http://geappliances.com). The only way to enable the OU and

CRC Sabbath mode is with the purchase of the Shabbos Keeper for Refrigerators. The Shabbos Keeper connects to your refrigerator to automatically enable Shabbos compatible modes each week and before every holiday. The appropriate mode will automatically activate based on the Jewish calendar date for your location. When the Shabbos Keeper is properly connected to the refrigerator, the display will show SAB



## Manual Sabbath Mode

Sabbath Mode was designed for use on the Jewish Sabbath and Holidays. The Sabbath Mode feature makes it possible for observant Jews to refrigerate and freeze food during the duration of the holiday.

The Sabbath Mode feature can be set to override typical reactions to actions in your appliance. While in the Sabbath Mode, your appliance will still operate normally. However, the appliance will not respond to your actions.

While in the Sabbath Mode, you may notice the fan running when the door is opened; however, this is not a result of your actions. The fan will operate at random times. The defrost heater will continue to defrost the appliance and will be activated on a timer. The defrost heater will not defrost as a result of door openings or any consumer actions.

### SABBATH MODE

The display shows “SAB” when put into sabbath mode and will automatically exit this feature state after 4 calendar days or 96 hours.

**DISPLAYS, ALARMS and LIGHTS**—The main temperature control, door alarms and lights will be disabled.

**ICE MAKER**—The icemaker will be disabled.

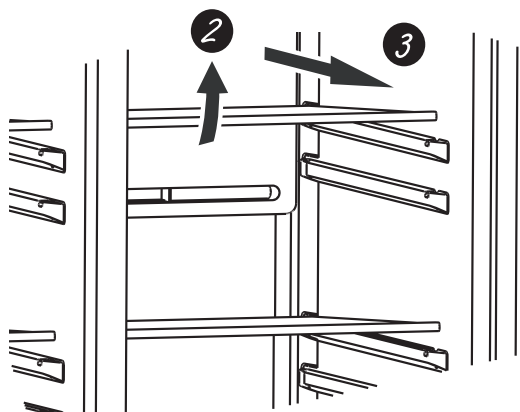
# Shelves and Bins

## ADJUSTING THE SHELVES

Shelves in the refrigerator compartment are adjustable.

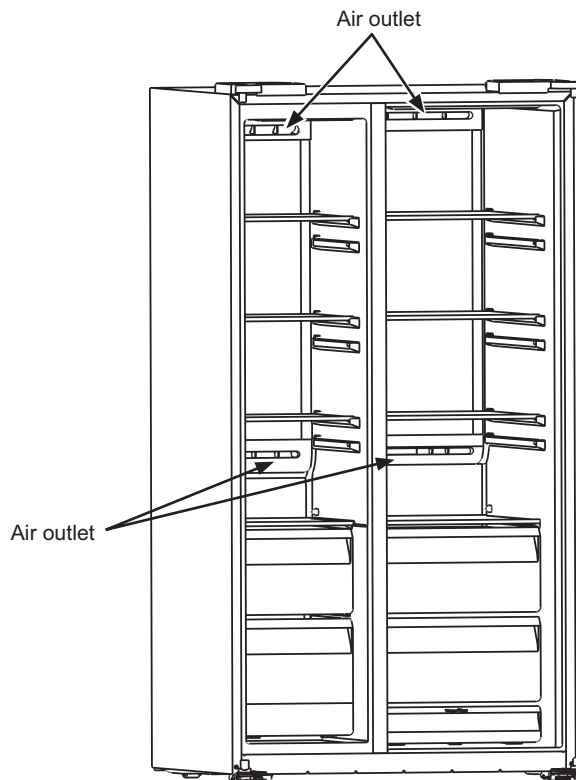
### To remove:

- 1 Remove all items from the shelf.
- 2 Tilt the shelf up at the front.
- 3 Lift the shelf up at the back and pull the shelf out.



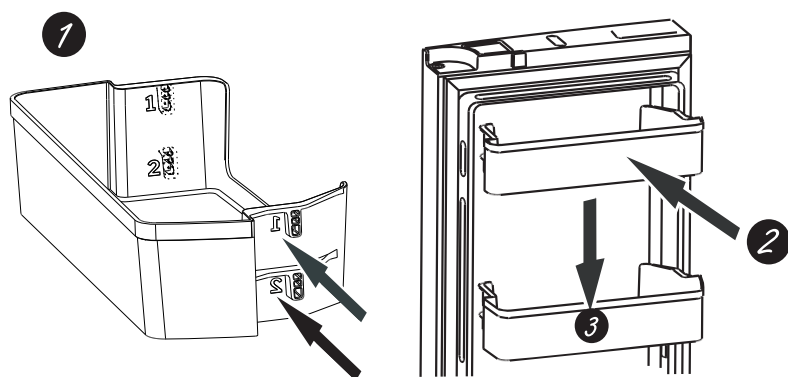
**Note:** Ensure shelves are installed with the correct orientation (top side up) so they securely lock into place.

**Note:** The lowest glass shelf in each compartment is slightly different from the regular shelves. The larger shelf has a rear trim strip. These must be installed in the lowest position.



**Note:** Do not block air outlet by placing food items directly against it. This may cause inconsistent temperatures.

## ADJUSTING THE DOOR BINS:



### To install:

- 1 Select the door bin position you wish to use - upper (1) or lower (2).
- 2 Insert bin horizontally into the inner door.
- 3 Push bin down to lock it into place.



# Drawers

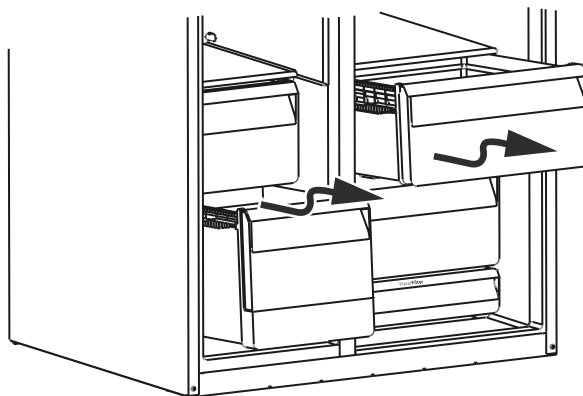
## FRUIT AND VEGETABLE DRAWERS

Keep fruits and vegetables organized in separate compartments for easy access.

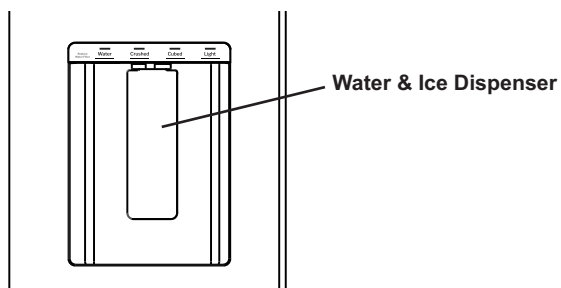
Excess water that may accumulate in the bottom of the drawers or under the drawers should be wiped dry.

## DRAWER REMOVAL

Drawer can easily be removed by pulling the drawer straight out and lifting the drawer up and over the stop location.



## Ice and Water Dispenser (on some models)



### **▲WARNING** Laceration Hazard

- Never put fingers or any other object into ice crusher discharge opening. Doing so can result in contacting the ice crushing blades and lead to serious injury or amputation.
- Use a sturdy glass when dispensing ice. A delicate glass may break and result in personal injury.

### Important Facts About Your Dispenser

- Do not add ice from trays or bags to the door ice maker bucket. It may not crush or dispense.
- Avoid overfilling glass with ice and use of narrow glasses. Backed-up ice can jam the chute or cause the door in the chute to freeze shut. If ice is blocking the chute remove the ice bucket, poke it through with a wooden spoon.
- Beverages and foods should not be quick-chilled in the door ice maker bin. Cans, bottles or food packages in the storage drawer may cause the ice maker or auger to jam.

If no water is dispensed after installation, ensure the water supply valve is open. Air in the line may also need to be cleared by dispensing water for several minutes.

Operating for the first time, run 2 gallons (7.5 liters) of water through the dispenser (about 5 minutes) to clear the system. Water may spurt and air bubbles may be visible. If water isn't flowing, check the filter installation. Follow this same procedure for when replacing the water filter.

- To keep dispensed ice from missing the glass, put the glass close to, but not touching, the dispenser opening.
- Some crushed ice may be dispensed even though you selected **CUBED**.
- After crushed ice is dispensed, some water may drip from the chute.
- Sometimes a small mound of snow will form on the door in the ice chute. This condition is normal and usually occurs when you have dispensed crushed ice repeatedly. The snow will eventually evaporate.

## WiFi (on some models) (for customers in the United States, its territories, and Canada)

---

### Get connected to the SmarthQ™ App to unlock added benefits\*

**Control & Convenience** – Monitor and control your appliance from anywhere, get alerts, and optimize with updates.

**Cooking & Lifestyle** – Create and plan meals, recipes and order groceries from anywhere.

**Smarter Support** – Get tips from SmarthQ™ Assistant, world-class service, and easily order parts & accessories.

\*Functions and benefits may vary by product

### Download the SmarthQ™ App

1. Scan the QR code provided OR
2. Visit [GEAppliances.com/connect](http://GEAppliances.com/connect) on your mobile device to download the app.

### Set Up Your Appliance

- Sign-in to the SmarthQ™ App.
- If your product is not automatically detected, tap the “+” symbol in the upper right corner.
- Follow the on-screen instructions to connect your appliance.

**Note:** If your unit is not a WiFi Connect capable appliance, please select the “Non-Connectable Setup” and follow the instructions provided to unlock the benefits of SmarthQ™.

### Need Help?

If you experience difficulty connecting, call our Connected Home Support group at: 1-800-220-6899 (US Only).

This device complies with Part 15 of the FCC Rules. Operation is subject to the following two conditions:

1. This device may not cause harmful interference, and
2. This device must accept any interference received, including interference that may cause undesired operation.

**NOTICE:** Any changes or modifications not expressly approved by GE Appliances could void the user’s authority to operate the equipment.

---

## REGULATORY INFORMATION

### FCC/IC Compliance Statement:

**FCC ID: ZKJ-294D2018 IC: 10229A-294D2018**

This device complies with Part 15 of the FCC Rules. This device contains license-exempt transmitter(s)/receiver(s) that comply with Innovation, Science and Economic Development, Canada’s license-exempt RSS(s). Operation is subject to the following two conditions:

1. This device may not cause harmful interference.
2. This device must accept any interference received, including interference that may cause undesired operation.

**Notice:** Changes or modifications to this unit not expressly approved by the manufacturer could void the user’s authority to operate the equipment.

**SmarthQ Connect module only (or similar communication module)**

**RF Exposure** - This device is only authorized for use in a mobile application. At least 20 cm of separation distance between the **SmarthQ Connect** device and the user’s body must be maintained at all times.

# Demand Response (on some models)

---

This Product has WiFi capability and requires Internet connectivity and a wireless router to enable interconnection with an Energy Management System, and/or with other external devices, systems or applications.

## What is Demand Response?

Some utilities vary their electricity rates based on the time of day. Some utilities offer Demand Response programs to reduce energy usage during certain times of the day. Some utilities may do both things. This refrigerator has a Demand Response feature to help control energy usage.

## Using Demand Response without a Utility Program

The Demand Response feature allows the user to shift high energy features, like defrost, for a 4-hour window. This window corresponds to the average peak energy usage. This feature is enabled or disabled with the SmartHQ™ and requires the SmartHQ™ to operate. It does not depend on the local utility, or whether it varies the electricity rates.

## Demand Response with your Utility

If your utility has a compatible Demand Response program, and you are signed up with the utility, this refrigerator can modify its energy usage based on commands received from the utility. The SmartHQ™ can be used to override the Demand Response program, if desired. Please note that there are many different Demand Response programs, and many are not compatible with kitchen appliances. Please check with your local utility.

The demand response level is displayed in the mobile app. Delay appliance load mode (DAL) reduces power consumption by delaying defrost and ice production for 4 hours. Temporary appliance load reduction (TALR) reduces the power consumption by delaying defrost, ice production, and stopping cooling for 10 minutes.

Estimated energy consumption in Watt-hour(Wh) is reported in the mobile app.

## Installing Demand Response

Install the SmartHQ™ per the instructions on the previous page. Select the Demand Response page, and choose from the available Demand Response options. The app provides more information on the operation of each Demand Response option.

## Demand Response Communication Protocols

This refrigerator uses the following IETF open standard protocols for the WiFi communication. Consult the online user manual for the latest protocol updates:

- <https://mqtt.org/mqtt-specification/>
- <http://docs.oasis-open.org/mqtt/mqtt/v3.1.1/os/mqtt-v3.1.1-os.html>

GE Appliances API for demand response:

- Write demand respond status (Inactive, DAL, and TALR)
- Get demand response status (Inactive, DAL, TALR, or Delay Defrost)
- Get estimated energy consumption in Watt-hour.
- Get event for "Door Open"
- Get event for "High temperature alert"
- Write demand response (DAL or TALR) start time and duration time period.
- Get demand response (DAL or TALR) start time and duration time period.
- Delete demand response (DAL or TALR) schedule.

Select models use radio frequency identification (RFID) to detect leaks and monitor filter status. The RFID technology is certified by the FCC.

# Water Filter Cartridge - XWFE (on some models)

## Water Filter Cartridge

The water filter cartridge is located in the fresh food compartment at the bottom, behind the rectangular access panel.

## When to Replace the Filter Cartridge

The **Replace Filter** message on the control panel will illuminate when the water filter cartridge needs to be replaced soon. The **Filter Expired** message will illuminate when the water filter cartridge needs to be replaced. The water filter can be replaced earlier if the flow of water to the dispenser or icemaker decreases.

### Replacing the Filter

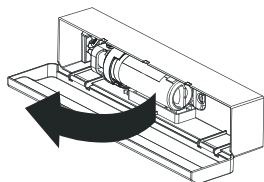
Scan QR Code to Order Genuine GE Filter



Watch this video before removing water filter



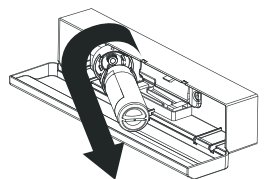
- 1. Open the Filter Housing:** Locate the access panel in the lower area of the fresh food compartment, below the drawers. Pull down the door to access the filter.
- 2. Tilt out the Filter:** Gently grasp the filter and slowly pull it out horizontally.



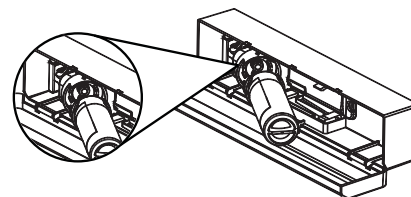
### CAUTION

If air has been trapped in the system, the filter cartridge may be ejected as it is removed. Use caution when removing.

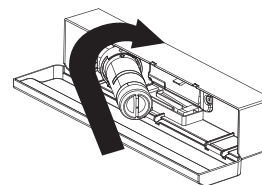
- 3. Turn to Release and Remove:** Slowly rotate the filter counterclockwise (left) about 1/4 turn until it automatically releases. A small amount of water may drip.



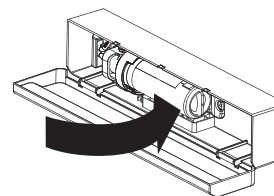
- 4. Install the New Filter:** Align the two ports on the inside of the new filter with the matching ports inside the manifold and gently insert the filter.



- 5. Secure the Filter:** Turn the filter clockwise (right) 1/4 turn until it stops. **DO NOT OVERTIGHTEN.** The filter will adjust into position.



- 6. Reposition the Filter:** Tilt the filter back to its original horizontal position.



- 7. Close the Housing:** Push the door closed until the tabs lock into place.
- 8. Flush the System:** Run 2 gallons (7.5 liters) of water through the dispenser (about 5 minutes) to clear the system. Water may spurt and air bubbles may be visible. If water isn't flowing, check the filter installation.

Sign-up for **TEXT REMINDERS** by texting **REPLACE to 70543.**

## Application Guidelines / Water Supply

Service Flow	0.5 gpm (1.89 lpm)
Water Supply	Potable Water
Water Pressure	40-120 psi (275-827 kPa)
Water Temperature	33°F-100°F (0.6°C-38°C)
Capacity	170 gallons (643.5 liters)

## Filter Bypass Plug

To prevent water leakage and reduce the risk of property damage, use the filter bypass plug if a replacement filter cartridge is unavailable. Some models do not come equipped with the filter bypass plug. To obtain a free bypass plug, call 1.833.4BODEWELL and request part

WR17X33825. In Canada, call 800.561.3344. The dispenser and icemaker will not operate without either the filter or bypass plug installed. Install the bypass plug the same way as a filter cartridge.

# Automatic Icemaker

A newly installed refrigerator may take 12 to 24 hours to begin making ice.

**⚠ WARNING** Connect to potable water supply only.

A cold water supply with water pressure between 40 and 120 psi (275 - 827 kilopascals) is required to operate the water dispenser and ice maker.

## Automatic Icemaker

The icemaker will produce 10 cubes per cycle approximately 120-160 cubes in a 24-hour period, depending on freezer compartment temperature, room temperature, number of door openings and other use conditions.

The icemaker will fill with water when it cools to 15°F (-10°C). A newly installed refrigerator may take 12 to 24 hours to begin making ice cubes.

If the refrigerator is operated before the water line connection is made to the unit or if the water supply to an operating refrigerator is turned off, make sure that the icemaker is turned off. Once the water has been connected to the refrigerator, the icemaker may be turned on.

To turn the icemaker ON/OFF, press the **Ice Maker** button on the control panel.

You may hear a buzzing sound each time the icemaker fills with water.

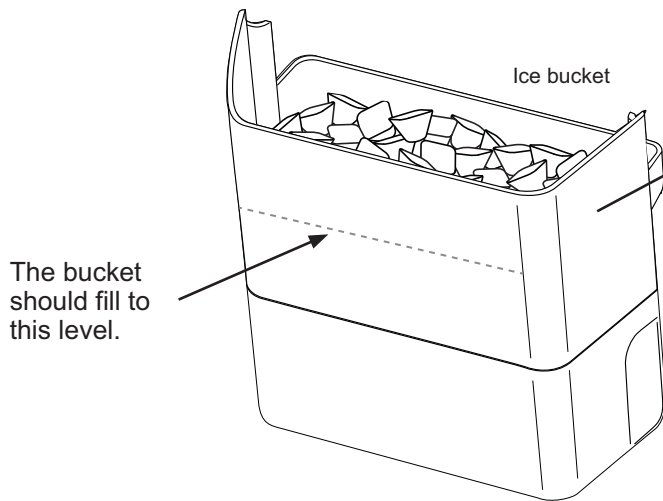
Allow 2-3 days for the bucket to completely fill with ice. Throw away the first few batches of ice to allow the water line to clear.

If ice is not used frequently, old ice cubes will become cloudy, taste stale and shrink.

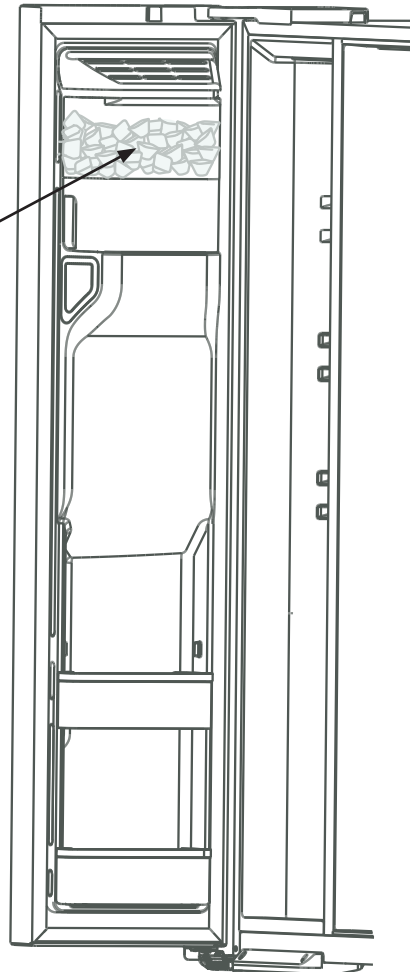
**NOTE:** In homes with lower than average water pressure, you may hear the icemaker cycle multiple times when making one batch of ice.

**⚠ CAUTION** Avoid contact with the moving parts.

Do not place fingers or hands on the automatic ice making mechanism while the refrigerator is plugged in.



A full ice bucket may not appear filled to the top. This is normal and allows for easier handling.



# Care and Cleaning

## Cleaning the Outside

**⚠ DO NOT use Stainless Steel cleaners on the door surfaces. ⚠**

**IMPORTANT:** The use of incorrect products may damage the outer finish of Fingerprint Resistant Stainless models. Please follow these instructions and use only the appropriate items below to clean your appliance surfaces.

- Clean interior/exterior surfaces with warm water, mild soap or detergent, and a soft or microfiber cloth to avoid damage.
- Wipe the appliance surface dry with a soft clean cloth or microfiber towel to avoid streaking or water spotting.

DO USE	DO NOT USE								
Soft, clean cloth or sponge Microfiber cloth	Abrasive cloths, paper towels, scrubbing sponges (with or without soap), scouring or steel wool pads								
Mild detergent mixed with warm water	<table border="0"> <tr> <td>Abrasive powders, liquids, or sprays</td> <td>Oven cleaners</td> </tr> <tr> <td>Window sprays, ammonia, or bleach</td> <td>Alkaline cleaners</td> </tr> <tr> <td>Citrus or plant oil-based cleaners</td> <td>Stainless steel cleaners</td> </tr> <tr> <td>Acidic or vinegar-based cleaners</td> <td></td> </tr> </table>	Abrasive powders, liquids, or sprays	Oven cleaners	Window sprays, ammonia, or bleach	Alkaline cleaners	Citrus or plant oil-based cleaners	Stainless steel cleaners	Acidic or vinegar-based cleaners	
Abrasive powders, liquids, or sprays	Oven cleaners								
Window sprays, ammonia, or bleach	Alkaline cleaners								
Citrus or plant oil-based cleaners	Stainless steel cleaners								
Acidic or vinegar-based cleaners									

## Cleaning the Inside

To help prevent odors, leave an open box of baking soda in the refrigerator and freezer compartments.

### Unplug the refrigerator before cleaning.

If this is not practical, wring excess moisture out of sponge or cloth when cleaning around switches, lights or controls.

Use warm water and baking soda solution—about a tablespoon (15 ml) of baking soda to a quart (1 liter) of water. This both cleans and neutralizes odors. Rinse and wipe dry.

**⚠ CAUTION** Do not clean glass shelves or covers with warm water when they are cold. Glass shelves and covers may break if exposed to sudden temperature changes or impact such as bumping or dropping. Tempered glass is designed to shatter into many small pieces if it breaks. Do not wash any plastic refrigerator parts in the dishwasher.

# Care and Cleaning

## BEHIND THE REFRIGERATOR

Be careful when moving the refrigerator away from the wall. All types of floor coverings can be damaged, particularly cushioned coverings and those with embossed surfaces.

Raise the leveling legs located at the bottom front of the refrigerator.

Pull the refrigerator straight out and return it to position by pushing it straight in. Moving the refrigerator in a side

direction may result in damage to the floor covering or refrigerator.

Lower the leveling legs until the case is leveled. Refer to Step 4 in the installation instructions.

**⚠ WARNING**  **ELECTRICAL SHOCK HAZARD**

When pushing the refrigerator back, make sure you don't roll over the power cord or water supply line.

For long vacations or absences, remove food and unplug the refrigerator. Clean the interior with a baking soda solution of one tablespoon (15 ml) of baking soda to one quart (1 liter) of water. Leave the doors open.

If the temperature can drop below freezing, have a qualified service technician drain the water supply system to prevent serious property damage due to flooding.

1. Turn refrigerator off (see CONTROLS, page 8) or unplug the refrigerator.
2. Empty ice bucket.
3. Turn water supply off.

**If you cut the water supply off, turn off the ice maker.**

Upon returning from vacation:

1. Replace the water filter.
2. Operating for the first time, run 2 gallons (7.5 liters) of water through the dispenser (about 5 minutes) to clear the system. Water may spurt and air bubbles may be visible. If water isn't flowing, check the filter installation. Follow this same procedure for when replacing the water filter.

## PREPARING TO MOVE

Secure all loose items such as shelves and drawers by taping them securely in place to prevent damage.

When using a hand truck to move the refrigerator, do not rest the front or back of the refrigerator against the hand truck. This could damage the refrigerator.

Handle only from the sides of the refrigerator.

Be sure the refrigerator stays in an upright position during moving.

## REFRIGERATOR LIGHTS (LEDS)

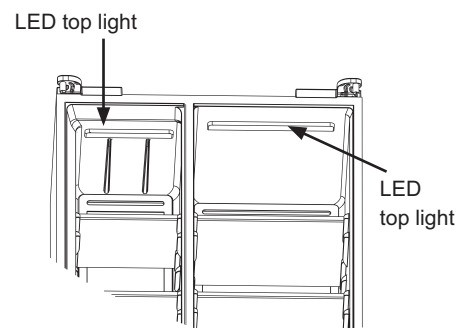
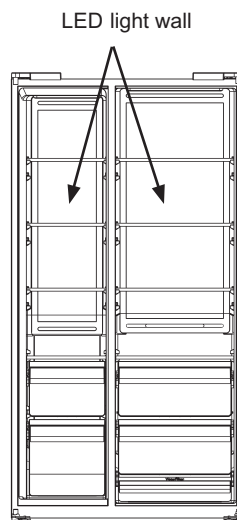
Appearance may vary by model.

There is an LED light in the top front of the freezer compartment and refrigerator compartment.

Some models have an LED light wall at the rear of the compartments.

An authorized technician will need to replace the LED lights.

If this assembly needs to be replaced, visit [GEAppliances.com/service](http://GEAppliances.com/service) or call 1.833.4BODEWELL. In Canada, visit [GEAppliances.ca/service](http://GEAppliances.ca/service) or call 800.561.3344.



All models

# Installation Instructions

# Refrigerator Models GSS/GSE

Questions? Call 1.833.4BODEWELL or visit our Website at: [GEAppliances.com](http://GEAppliances.com) In Canada, call 1.800.561.3344 or visit our Website at: [GEAppliances.ca](http://GEAppliances.ca)

## BEFORE YOU BEGIN

Read these instructions completely and carefully.

- **IMPORTANT** — Save these instructions for local inspector's use.
- **IMPORTANT** — Observe all governing codes and ordinances.
- **Note to Installer** — Be sure to leave these instructions with the Consumer.
- **Note to Consumer** — Keep these instructions for future reference.
- **Skill level** — Installation of this appliance requires basic mechanical skills.
- **Completion time** — Refrigerator Installation: 30 minutes; Water Line Installation: 30 minutes.
- Proper installation is the responsibility of the installer.
- Product failure due to improper installation is not covered under the Warranty.

If the refrigerator has already been installed, remove the base grille (see Step 2 in Moving the Refrigerator), then skip to Step 5 in Installing the Refrigerator.

## PREPARATION

### MOVING THE REFRIGERATOR INDOORS

If the refrigerator will not fit through a doorway, the refrigerator doors can be removed.

- To remove the refrigerator doors, see the Installing the Refrigerator section.

### WATER SUPPLY TO THE ICEMAKER AND DISPENSER

If the refrigerator has an ice maker, it will have to be connected to a cold water line. A GE Appliances water supply kit (containing tubing, shutoff valve, fittings and instructions) is available at extra cost from your dealer, by visiting our website at [GEAppliances.com](http://GEAppliances.com) (in Canada at [GEAppliances.ca](http://GEAppliances.ca)) or from Parts and Accessories, 888.959.8688 (in Canada 1.800.661.1616).

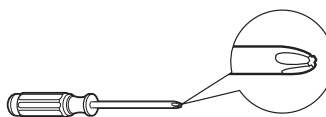
## TOOLS YOU MAY NEED



Adjustable Wrench



1/8" Hex-Key or Hex Driver



Phillips-Head Screwdriver



7/16" Wrench



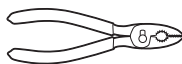
Level



Pencil



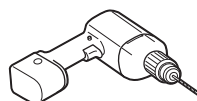
1/4" Nut Driver



Pliers



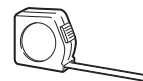
Flat-Head Screwdriver



1/8" Drill Bit and Electric or Hand Drill



5/16" Nut Driver



Tape Measure

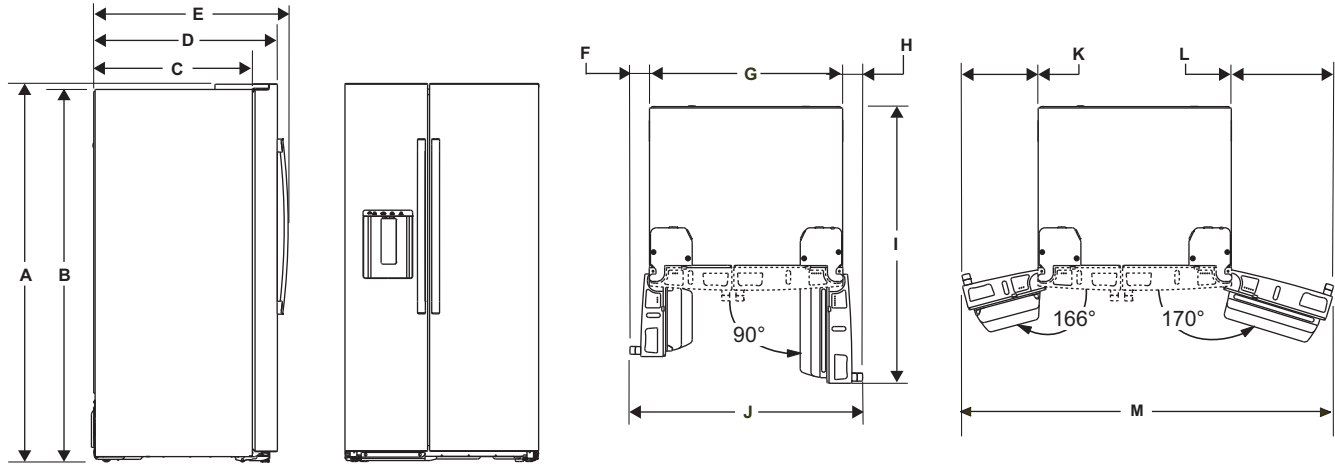
# Installation Instructions

## DIMENSIONS

**NOTE:** It is recommended that the floor be protected with a plastic covering throughout the installation process.

**NOTE:** Not recommended for installation on carpeted flooring.

### GE Handle Models



Dimension	33" Std Depth		36" Std Depth		36" Counter Depth	
	Inches	mm	Inches	mm	Inches	mm
(A) Height to Top of Hinge with Legs Retracted	69 15/16	1776	69 15/16	1776	69 15/16	1776
(B) Height to Top of Case with Legs Retracted	68 15/16	1751	68 15/16	1751	68 15/16	1751
(C) Case Depth, without Doors	29 7/16	748	29 7/16	748	25 1/16	637
(D) Case Depth, with Doors, without Door Handles	34	864	34	864	29 5/8	752
(E) Case Depth, with Doors and Handles	36	914	36	914	31 5/8	803
(F) Clearance from side of Case to adjacent wall with FZ Door open 90°	3 11/16	94	3 11/16	94	3 11/16	94
(G) Case Width	32 3/4	832	35 3/4	908	35 3/4	908
(H) Clearance from side of Case to adjacent wall with FF Door open 90°	3 3/4	95	3 3/4	95	3 3/4	95
(I) Total Depth with FF Door Open 90°	48 1/4	1226	51 1/4	1302	46 7/8	1191
(J) Width with Doors, and Handles, Doors Open 90°	40 1/8	1019	43 1/8	1095	43 1/8	1095
(K) Clearance from side of Case to adjacent wall with FZ Door Full Open	14 1/8	359	14 1/8	359	14 1/8	359
(L) Clearance from side of Case to adjacent wall with FF Door Full open	16	406	19	483	19	483
(M) Width with Doors, and Handles, Doors Full Open	62 13/16	1595	68 13/16	1748	68 13/16	1748

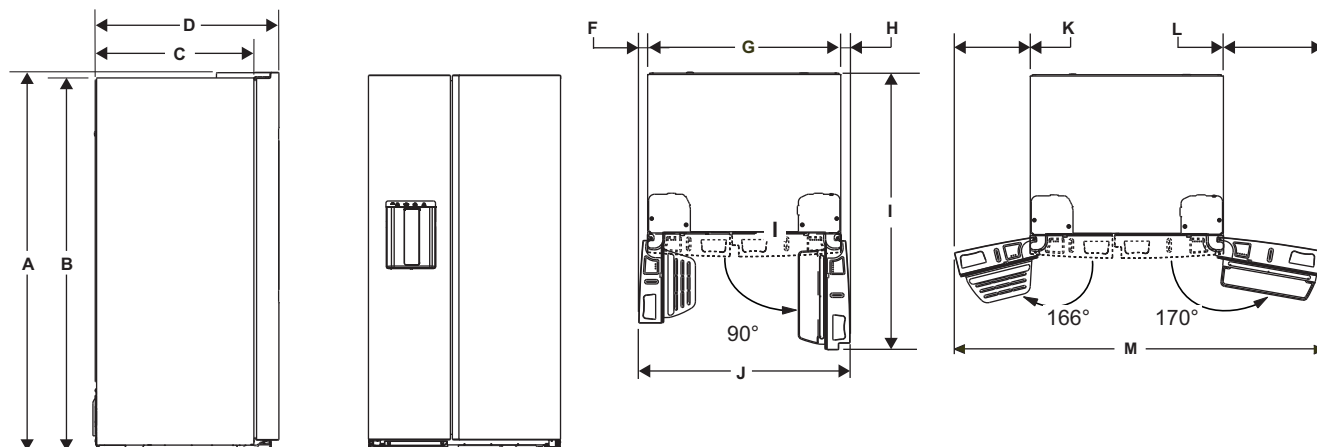
# Installation Instructions

## DIMENSIONS

**NOTE:** It is recommended that the floor be protected with a plastic covering throughout the installation process.

**NOTE:** Not recommended for installation on carpeted flooring.

### GE / Profile Integrated handle Models



Dimension	36" Std Depth		36" Counter Depth	
	Inches	mm	Inches	mm
(A) Height to Top of Hinge with Legs retracted	69 15/16	1776	69 15/16	1776
(B) Height to Top of Case with Legs retracted	68 15/16	1751	68 15/16	1751
(C) Case Depth, without Doors	29 7/16	748	25 1/16	637
(D) Case Depth, with Doors and integrated handles	34	864	29 5/8	752
(F) Clearance from side of Case to adjacent wall with FZ Door open 90°	1 11/16	42	1 11/16	42
(G) Case Width	35 3/4	908	35 3/4	908
(H) Clearance from side of Case to adjacent wall with FF Door open 90°	1 3/4	44	1 3/4	44
(I) Total Depth with FF Door Open 90°	51 1/4	1302	46 7/8	1191
(J) Width with Doors, Doors Open 90°	39 1/8	994	39 1/8	994
(K) Clearance from side of Case to adjacent wall with FZ Door Full Open	13 7/8	353	13 7/8	353
(L) Clearance from side of Case to adjacent wall with FF Door Full open	18 11/16	474	18 11/16	474
(M) Width with Doors, Doors Full Open	68 7/16	1738	68 7/16	1738

# Installation Instructions

## MOVING THE REFRIGERATOR

- Using the chart on pages 19-20 determine if the width of your passageway can accommodate the depth of the refrigerator. Ensure you have clearance to prevent damage to the refrigerator before safely moving it to the final location.
- If passageways are large enough to accommodate the refrigerator without removing the doors, skip Steps 2-8. Leave tape, film and all packaging on doors until the refrigerator is in the final location.
- **NOTE: Use a padded hand truck or moving straps to move this refrigerator. Place the refrigerator on the hand truck with a side against the truck. We strongly recommend that two people move and complete this installation.**

## REFRIGERATOR LOCATION

- To reduce the risk of water leakage, it is required that the water supply be disconnected under low ambient conditions less than 54°F (12.2°C). Failure to do so can result in damage to the product.
- Some models are equipped as GARAGE READY and can be operated in locations with ambient temperature between 38°F – 110°F (3.3°C – 43.3°C). The electronic controls will automatically adjust to this range of ambient conditions in order to maintain temperature inside the refrigerator.
- Do not install the refrigerator in a location exposed to water (rain, etc.) or direct sunlight.
- Install it on a floor strong enough to support it fully loaded.

## CLEARANCES

Allow the following clearances for ease of installation, proper air circulation, plumbing and electrical connections.

Sides	1/8" (3 mm)
Top	1" (25 mm)
Back	2" (50 mm)

## REMOVING THE REFRIGERATOR DOORS

- **IMPORTANT NOTE:** Use the charts on the previous pages to determine if the width of your passageway can accommodate the depth of the refrigerator while transporting it into the installation location. If passageways are less than the depth of the your refrigerator, the doors may be scratched or damaged. If passageways are less than the depth of the refrigerator, skip to Step 2 to remove the doors.
- If it is not necessary to remove doors, transport the refrigerator to the installation location, Step 1. Leave all tape and packaging on doors until the refrigerator is in the final location.
- **NOTE:** Use a padded hand truck to move the refrigerator. Place the refrigerator on the hand truck with a side against the truck. We strongly recommend that TWO PEOPLE move and complete this installation.

# Installation Instructions

## MOVING THE REFRIGERATOR

**⚠ CAUTION** Lifting Hazard.

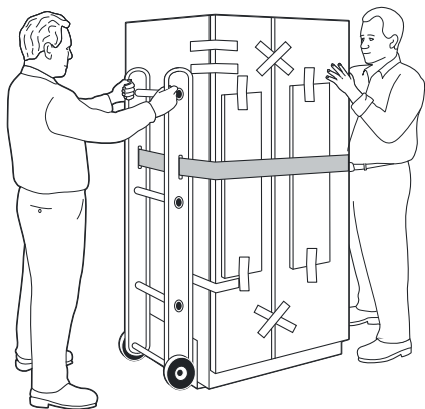
Single person lift can cause injury. Use assistance when handling, moving or lifting the refrigerator doors. **NOTE:** When moving door, to prevent damage to door and electronics carefully place the door in a proper location.

**⚠ WARNING** To reduce the risk of electric shock or injury during installation, you must first unplug the refrigerator before proceeding. Failure to follow these instructions can result in electrical shock.

### 1 LOADING THE REFRIGERATOR ONTO A HAND TRUCK

Use a padded hand truck, **KEEPING TAPE AND DOOR PADS ON** until the refrigerator is in its final location.

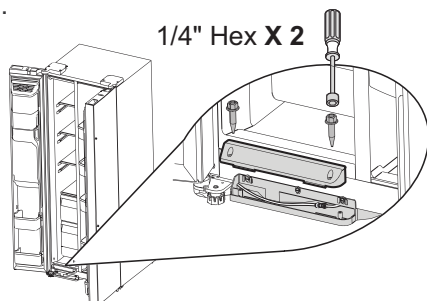
Move from the refrigerator side only, centered on the hand truck, and avoid overtightening the strap.



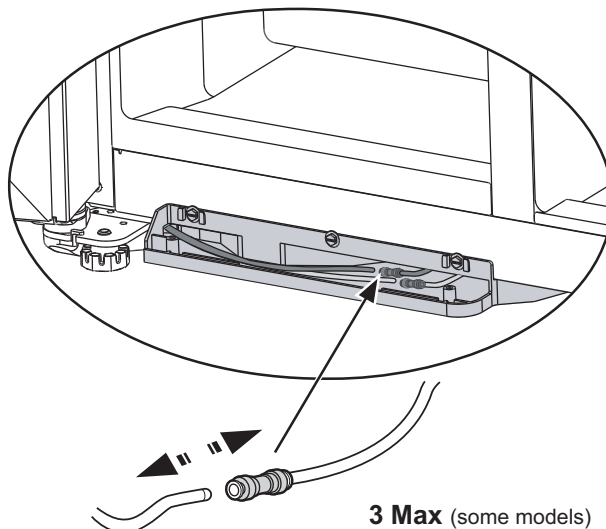
### 2 REMOVE THE DOORS

**ONLY IF NECESSARY**, remove the doors to transport refrigerator into the final location.

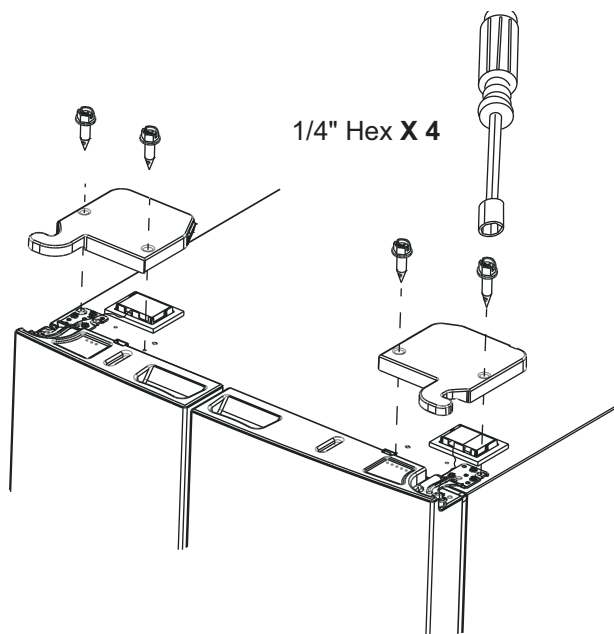
Remove Screws and Top Cover from Coupling Housing.



### 3 DISCONNECT THE WATER COUPLING



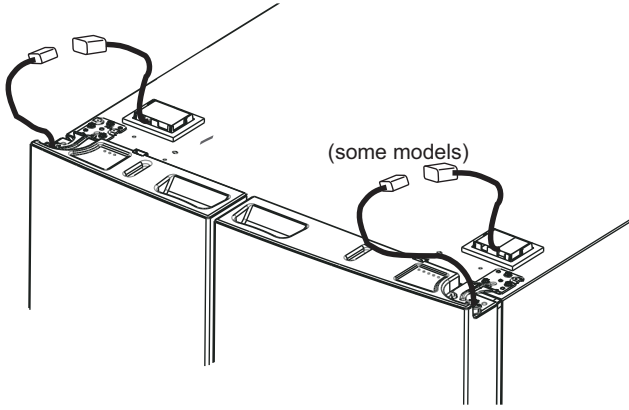
### 4 REMOVE SCREWS AND HINGE COVERS



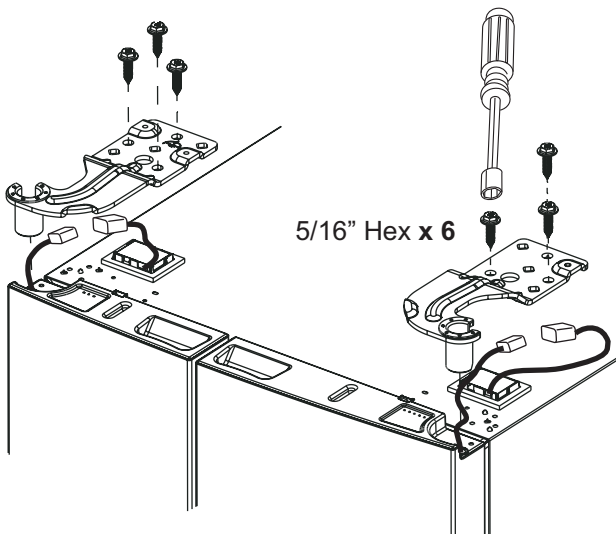
# Installation Instructions

## MOVING THE REFRIGERATOR (Cont.)

### 5 DISCONNECT WIRE CONNECTORS



### 6 REMOVE SCREWS AND TOP HINGES



Recommended screw torque installation:  
30 to 35 in-lbs.

### 7 REMOVE THE REFRIGERATOR DOORS (Cont.)

- Lift the refrigerator door up and off the bottom hinges.
- Carefully set door aside.

### 8 REPLACE THE DOOR

#### ⚠ WARNING

Follow all steps for removing and reinstalling the doors. Failure to follow these instructions, leaving off parts, or over tightening screws, can lead to the doors falling off and result in injury and property damage.

To reinstall the doors, simply reverse steps 2 through 7.

However, please note the following:

- When lowering the door onto the bottom hinges, make sure the second person carefully guides the water lines through lower left hinge carefully to avoid kinks or damage.
- When connecting the water line, make sure you match water line colors correctly during reconnection.
- Do not pinch the tubing when placing the doors on the bottom hinges.
- Route electrical connectors through top hinges without pinching.
- When re-connecting harness connectors, be sure that that the connectors are seated together fully.
- Make sure all hinge screws are properly tightened.

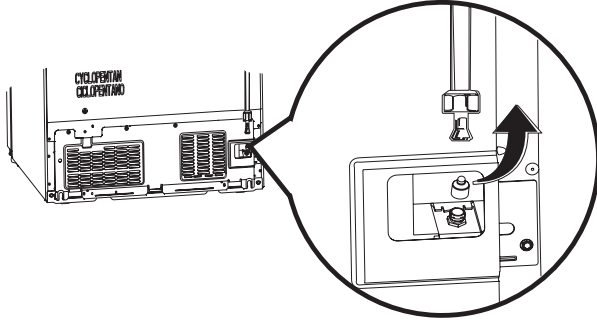


1. Route harness through slot in top hinge.
2. Push harness into clips on the hinge cover
3. Place connectors in this white, plastic box on top of the unit.

# Installation Instructions

## INSTALLING THE REFRIGERATOR

### 1 CONNECT HOUSE WATER SUPPLY



A cold water supply is required for automatic ice maker operation. If there is not a cold water supply, you will need to provide one. See Installing the Water Line section.

**NOTES:**

- Before making the connection to the refrigerator, be sure the refrigerator power cord is not plugged into the wall outlet.
- If your refrigerator does not have a water filter, we recommend installing one if your water supply has sand or particles that could clog the screen of the refrigerator's water valve. Install it in the water line near the refrigerator. If using SmartConnect™ Refrigerator Tubing Kit, you will need an additional tube (WX08X10002) to connect the filter. Do not cut plastic tube to install filter.
- Before connecting the water line to the house, purge the house line for at least 2 minutes.
  1. If you are using copper tubing, place a compression nut and ferrule (sleeve) onto the end of the tubing coming from the house cold water supply. If you are using the SmartConnect™ tubing, the nuts are already assembled to the tubing.
  2. If you are using copper tubing, insert the end of the tubing into the refrigerator connection, at the back of the refrigerator, as far as possible. While holding the tubing, tighten the fitting. If you are using SmartConnect™ tubing, insert the molded end of the tubing into the refrigerator connection, at the back of the refrigerator, and tighten the compression nut until it is hand tight. Then tighten one additional turn with a wrench. Over tightening may cause leaks.

**⚠ WARNING** CONNECT TO POTABLE WATER SUPPLY ONLY.

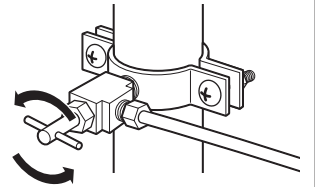
A cold water supply with water pressure between 40 and 120 psi (172-827 kilopascals) is required to operate the water dispenser and ice maker.

Scan QR Code for video before connecting water line.



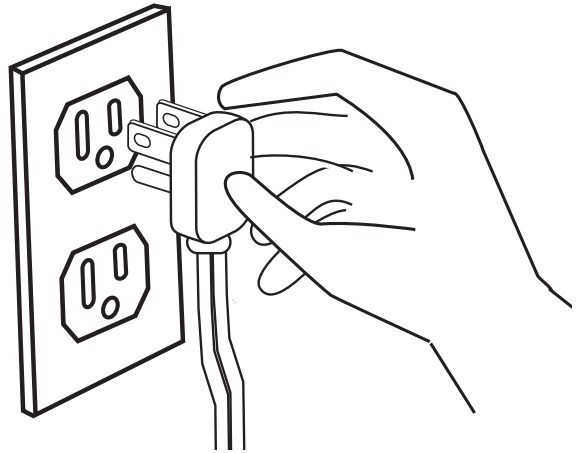
### 2 TURN ON THE WATER SUPPLY

Turn the water on at the shutoff valve (house water supply) and check for any leaks.



### 3 PLUG IN THE REFRIGERATOR

Arrange the coil of tubing so that it does not vibrate against the back of the refrigerator or against the wall. Push the refrigerator back to the wall.



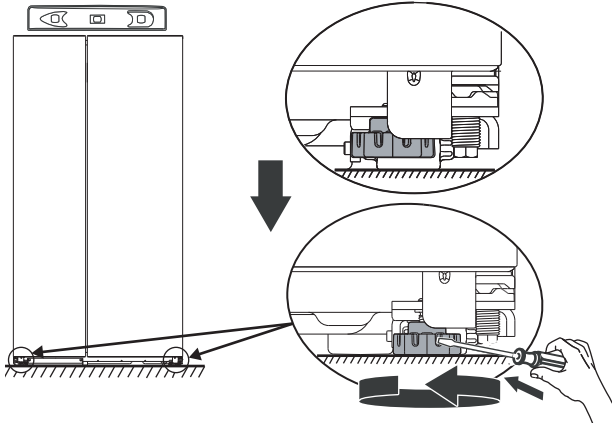
Total power cord length is 70 inches (1778 mm).

# Installation Instructions

## INSTALLING THE REFRIGERATOR (Cont.)

### 4 LEVEL THE REFRIGERATOR

The refrigerator can be leveled by adjusting the leveling legs located near the bottom hinges.



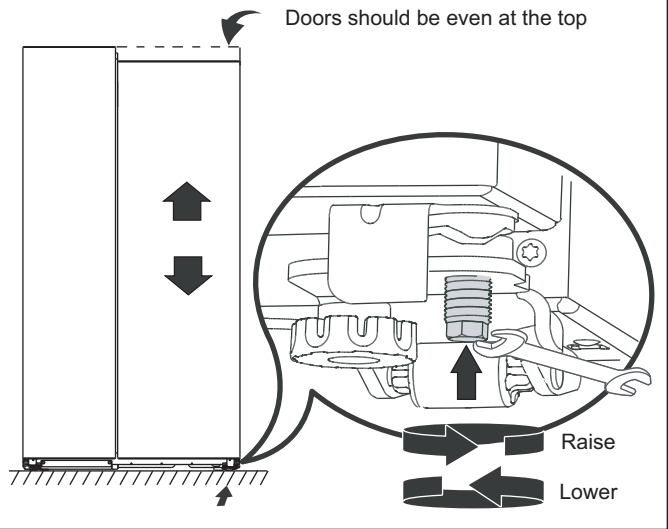
**Leveling legs have two purposes:**

- Leveling legs adjust so the door closes easily when opened about halfway. (Raise the front about 5/8" [16 mm] from the floor).
- Leveling legs adjust so the refrigerator is firmly positioned on the floor and does not wobble.

### 5 ALIGNING THE DOOR

1. Adjust the refrigerator door to make the doors even at the top.
2. **To align:** Using a 7/16" wrench, turn the door adjusting screw to the right to raise the door, to the left to lower it.

After one or two turns of the wrench, open and close the refrigerator door and check the alignment at the top of the doors.



Scan QR Code for video before leveling the refrigerator and aligning the doors.

# Installation Instructions

## INSTALLING THE REFRIGERATOR (Cont.)

### 6 REFRIGERATOR AND FREEZER HANDLE INSTALLATION

**⚠ WARNING**



**Follow instructions for a proper installation.**

Improper handle installation may allow the handles to detach. A handle that detaches while in use may cause the user to lose their balance, which creates a fall risk.

**Before You Start...**

- To avoid injury, wear closed-toe shoes when installing the handles.
- While installing the handle, grasp the handle firmly to ensure it does not fall or scratch the appliance's finish.
- **IMPORTANT:** To make sure the handles are accurately installed, please review the instructions and graphics before you begin installation.
- **IMPORTANT:** Do not use power tools to tighten set screws.

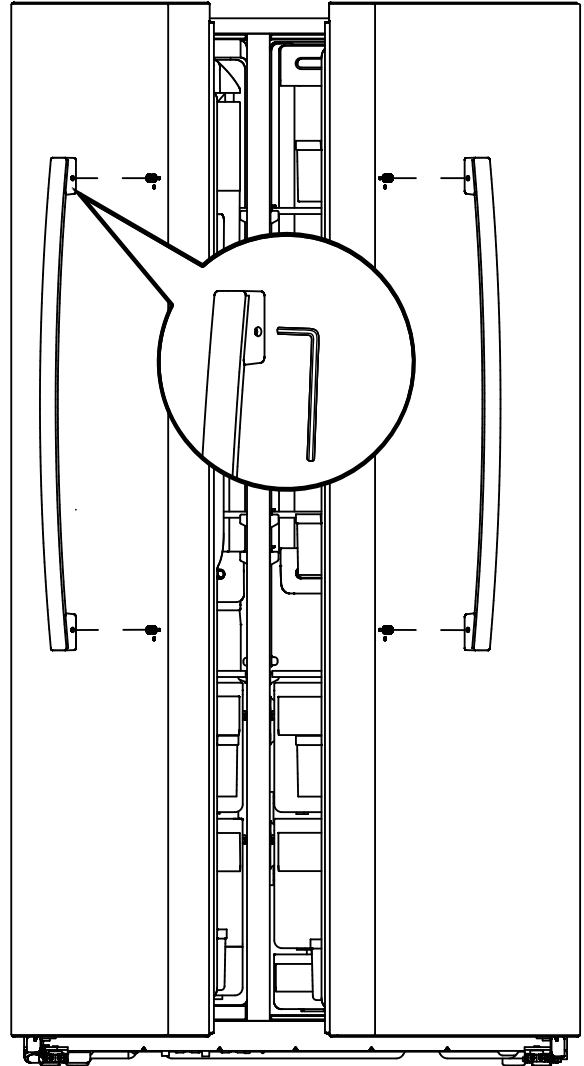
**Parts Included:**

- 2 Handles (Set screws pre-assembled)
- 1/8" hex key

Handle appearance may vary based on model; however, the installation process is the same.

1. Remove any protective film from the door fronts before installing handles.
2. Remove handle from packaging and locate the provide 1/8" hex key.
3. Place the handle over the mounting fasteners until it is flush against the surface of the door.
4. Tighten both set screws (pre-assembled) in the handle end caps by turning the 1/8" hex key clockwise until the handle will not hang loose or fall from its mounting. Do not fully tighten yet.
5. **IMPORTANT**  
Hold the handle firmly against the door, make sure there are no gaps between the handle end caps and the door, and fully tighten the set screws.

To remove the handles, reverse the installation process.



# Installation Instructions

## INSTALLING THE WATER LINE

### BEFORE YOU BEGIN

Recommended copper watersupply kits are WX8X2, WX8X3 or WX8X4, depending on the amount of tubing you need. Approved plastic water supply lines are Universal Water Line Refrigerator Tubing (WX08X10006, WX08X10015 and WX08X10025).

When connecting your refrigerator to a Reverse Osmosis Water System, the only approved installation is with a GE Appliances RVKit. For other reverse osmosis water systems, follow the manufacturer's recommendations.

If the water supply to the refrigerator is from a Reverse Osmosis Water Filtration System AND the refrigerator also has a water filter, use the refrigerator's filter bypass plug. To order the bypass plug, see the Water Filter Cartridge section. Using the refrigerator's water filtration cartridge in conjunction with the RO filter can result in hollow ice cubes and slower water flow from the water dispenser.

This water line installation is not warranted by the refrigerator or icemaker manufacturer. Follow these instructions carefully to minimize the risk of expensive water damage.

Water hammer (water banging in the pipes) in house plumbing can cause damage to refrigerator parts and lead to water leakage or flooding. Call a qualified plumber to correct water hammer before installing the water supply line to the refrigerator.

To prevent burns and product damage, do not hook up the water line to the hot water line.

If the refrigerator is operated before the water line connections is made to the until or if the water supply to an operating refrigerator is turned off, make sure that the icemaker is turned off. Once the water has been connected to the refrigerator, the icemaker may be turned on.

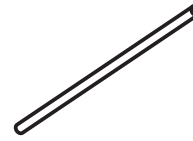
To turn the icemaker ON/OFF, press the Ice Maker button on the control panel.

Do not install the icemaker tubing in areas where temperatures fall below freezing.

When using any electrical device (such as a power drill) during installation, be sure the device is double insulated or grounded in a manner to prevent the hazard of electric shock, or is battery powered.

All installations must be in accordance with local plumbing code requirements.

### WHAT YOU WILL NEED



- Copper or Universal Water Line Refrigerator Tubing kit, 1/4" outer diameter to connect the refrigerator to the water supply. If using copper, be sure both ends of the tubing are cut square.

To determine how much tubing you need: measure the distance from the water valve on the back of the refrigerator to the water supply pipe. Be sure there is sufficient extra tubing to allow the refrigerator to move out from the wall after installation.

Universal Water Line Refrigerator Tubing Kits are available in the following lengths:

- 8' (2.4 m) – WX08X10006
- 15' (4.6 m) – WX08X10015
- 25' (7.6 m) – WX08X10025

#### **⚠ WARNING**

**Connect to potable water supply only.**

A cold water supply is required for automatic icemaker operation. The water pressure must be between 40 and 120 psi (275-827 kilopascals) is required to operate the water dispenser and ice maker.

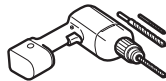
# Installation Instructions

## INSTALLING THE WATER LINE (Cont.)

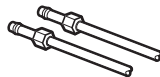
### WHAT YOU WILL NEED (Cont.)

**NOTE:** The only GE Appliances approved plastic tubing is that supplied in Universal Water Line Refrigerator Tubing kits. Do not use any other plastic water supply line because the line is under pressure at all times. Certain types of plastic will crack or rupture with age and cause water damage to your home.

- **A GE Appliances water supply kit** (containing tubing, shutoff valve and fittings listed below) is available at extra cost from your dealer or from Parts and Accessories, 877.959.8688 (in Canada 1.800.661.1616).
- **A cold water supply.** The water pressure must be between 40 and 120 psi (172-827 Kilopascals).
- **Power drill.**



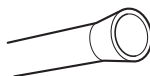
- **1/2" or adjustable wrench.**
- **Straight and Phillips blade screwdriver.**



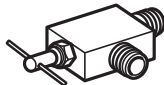
- **Two 1/4" outer diameter compression nuts and 2 ferrules (sleeves)** — to connect the copper tubing to the shutoff valve and the refrigerator water valve.

OR

- If you are using a Universal Water Line Refrigerator Tubing kit, the necessary fittings are preassembled to the tubing.



- If your existing copper water line has a flared fitting at the end, you will need an adapter (available at plumbing supply stores) to connect the water line to the refrigerator OR you can cut off the flared fitting with a tube cutter and then use a compression fitting. Do not cut formed end from Universal Water Line Refrigerator tubing.



- **Shutoff valve** to connect to the cold water line. The shutoff valve should have a water inlet with a minimum inside diameter of 5/32" at the point of connection to the COLD WATER LINE. Saddle-type shutoff valves are included in many water supply kits. Before purchasing, make sure a saddle-type valve complies with your local plumbing codes.

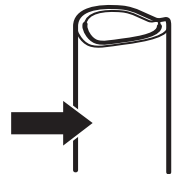
Install the shutoff valve on the nearest frequently used drinking water line.

### 1 SHUT OFF THE MAIN WATER SUPPLY

Turn on the nearest faucet long enough to clear the line of water.

### 2 CHOOSE THE VALVE LOCATION

Choose a location for the valve that is easily accessible. It is best to connect into the side of a vertical water pipe. When it is necessary to connect into a horizontal water pipe, make the connection to the top or side, rather than at the bottom, to avoid drawing off any sediment from the water pipe.

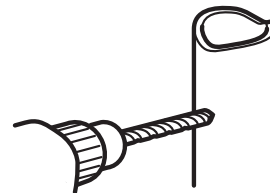


### 3 DRILL THE HOLE FOR THE VALVE

Drill a 1/4" hole in the water pipe (even if using a self-piercing valve), using a sharp bit. Remove any burrs resulting from drilling the hole in the pipe.

Take care not to allow water to drain into the drill.

Failure to drill a 1/4" hole may result in reduced ice production or smaller cubes.

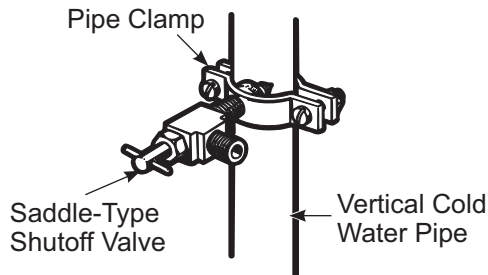


# Installation Instructions

## INSTALLING THE WATER LINE (Cont.)

### 4 FASTEN THE SHUTOFF VALVE

Fasten the shutoff valve to the cold water pipe with the pipe clamp.

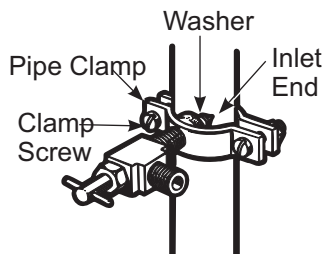


**NOTE:** Commonwealth of Massachusetts Plumbing Codes 248CMR shall be adhered to. Saddle valves are illegal and use is not permitted in Massachusetts. Consult with your licensed plumber.

### 5 TIGHTEN THE PIPE CLAMP

Tighten the clamp screws until the sealing washer begins to swell.

**NOTE:** Do not over tighten or you may crush the tubing.



### 6 ROUTE THE TUBING

Route the tubing between the cold water line and the refrigerator.

Route the tubing through a hole drilled in the wall or floor (behind the refrigerator or adjacent base cabinet) as close to the wall as possible.

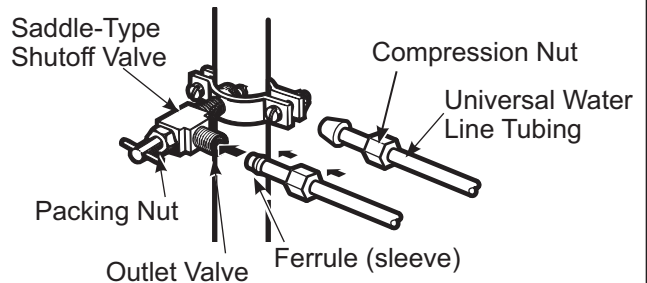
**NOTE:** Be sure there is sufficient extra tubing to allow the refrigerator to move out from the wall after installation.

### 7 CONNECT THE TUBING TO THE VALVE

Place the compression nut and ferrule (sleeve) for copper tubing onto the end of the tubing and connect it to the shutoff valve.

Make sure the tubing is fully inserted into the valve. Tighten the compression nut securely.

For plastic tubing from a SmartConnect™ Refrigerator Tubing kit, insert the molded end of the tubing into the shutoff valve and tighten compression nut until it is hand tight, then tighten one additional turn with a wrench. Over tightening may cause leaks.



**NOTE:** Commonwealth of Massachusetts Plumbing Codes 248CMR shall be adhered to. Saddle valves are illegal and use is not permitted in Massachusetts. Consult with your licensed plumber.

### 8 FLUSH OUT THE TUBING

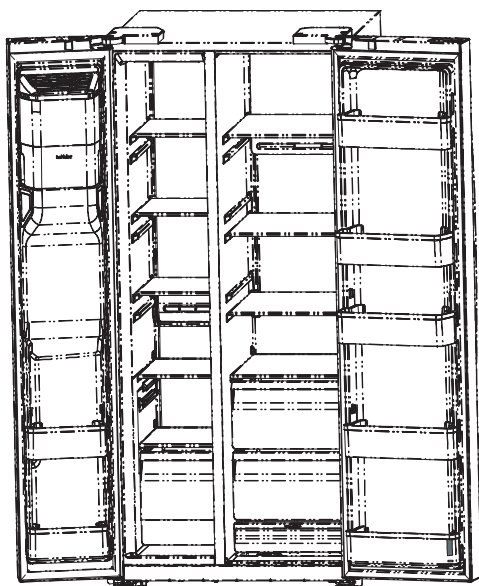
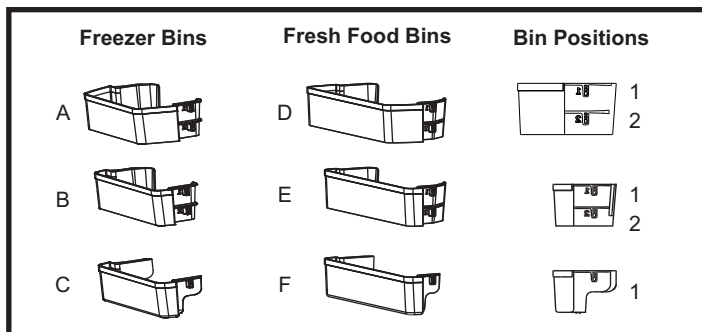
Turn the main water supply on and flush out the tubing until the water is clear. Shut the water off at the water valve after about one quart (1 liter) of water has been flushed through the tubing.



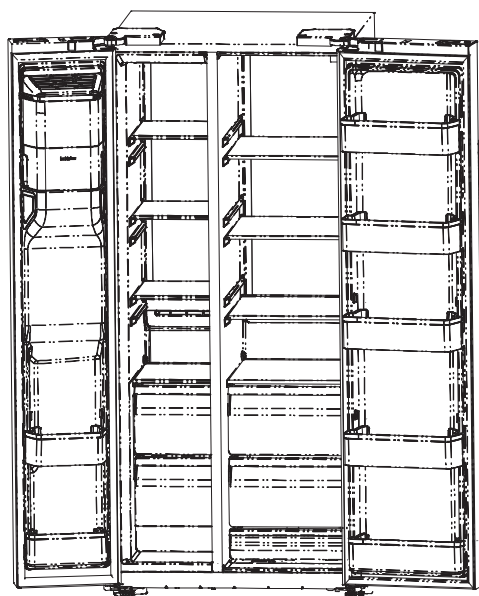
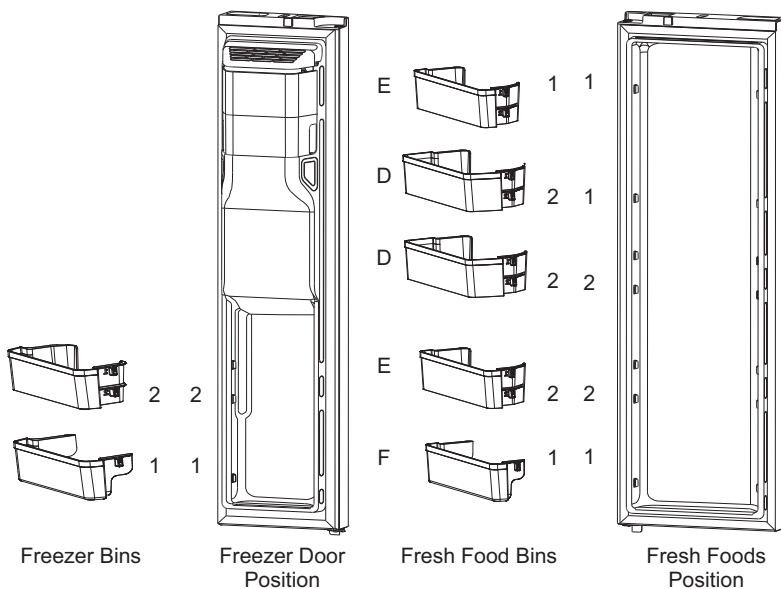
To complete the installation of the refrigerator, go back to Step 1 in Installing the Refrigerator.

# Installation Instructions

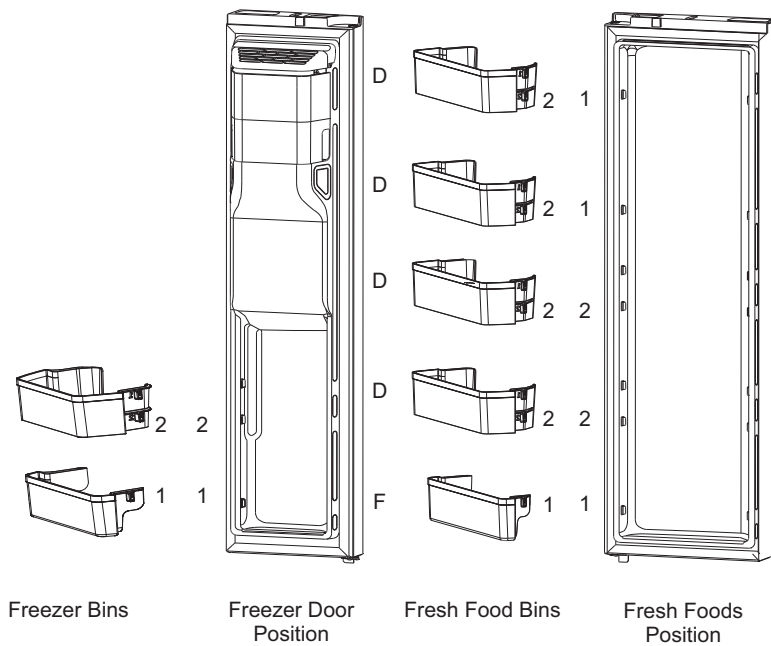
## INSTALLING THE REFRIGERATOR (Cont.)



**GSS28N, GSE28N**  
External Dispenser



**GSS28P**  
External Dispenser



# Troubleshooting Tips...Before you call for service

Problem	Possible Causes	What To Do
<b>Not filtering</b>	Filter bypass installed.	Install correct water filter
<b>“Replace Filter” message on the control panel turns on.</b>	Filter reaching expired state	Consider to replacing your filter soon.
<b>“Filter expired” message on the control panel turns on.</b>	Filter expired	Replace the filter or install filter bypass plug, the message will turn off in a few seconds to indicate the filter was successfully replace.
<b>“Leak detected” message on the control panel turns on. Water/ Ice disabled</b>	Filter leak detected	Replace filter. Wipe off the filter/surrounding area if there is any water from filter replacement.
<b>“Err” on the display “Replace Filter” message on the control panel turns on. Water/ Ice disabled</b>	Filter is not detected No communication with filter	Verify you have the XWFE filter and not the XWF. Verify there are no scratches or filter label damage. Replace filter if label shows damage. Replace filter or make sure water filter is properly installed (see water filter section).
<b>Refrigerator does not operate</b>	Refrigerator in defrost cycle.	Wait about 30 minutes for defrost cycle to end.
	Freezer control in OFF position.	Press “Fridge”+“Freezer” at the same time, on your control panel, for 3 seconds.
	Refrigerator is unplugged.	Push plug completely into outlet.
	The fuse is blown/circuit breaker is tripped.	Replace fuse or reset breaker.
	Refrigerator is in showroom mode.	Press “Fridge”+ “Freezer”+ “Control lock” at the same time, on your control panel, for 3 seconds.
<b>Motor operates for long periods or cycles on and off frequently. (Modern refrigerators with more storage space and a larger freezer require more operating time. They start and stop often to maintain even temperatures.)</b>	Normal when refrigerator is first plugged in.	Wait 24 hours for refrigerator to completely cool down.
	Temperature controls set at the coldest setting.	Adjust temperature to a warmer setting. See Controls.
<b>Refrigerator or freezer not cold enough</b>	Normal, when refrigerator first plugged in or after extended power outage	Wait 24 hours for temperature in both compartments to reach selected temperatures
	Often occurs when large amounts of food or warm food are placed in refrigerator.	This is normal, allow 24 hours for system to stabilize
	Door open for long period of time.	Allow 24 hours for system to stabilize
	Door left open/ not closed properly	Check to see if package is holding the door open. Make sure the package under the doors has been removed. Make sure food does not block the door.
	Hot weather or frequent door openings.	Adjust temperature to a colder setting. See Controls
	Temperature control not set cold enough.	Set the temperature to a colder setting. See controls.
<b>Frost or ice crystals on frozen food</b>	Door left open/ not closed properly	Check to see if package is holding the door open. Make sure the package under the doors has been removed. Make sure food does not block the door.
	Food is blocking the air flow outlet.	Make sure no food blocks the air flow outlet.
<b>Divider between refrigerator and freezer compartments feels warm</b>	Automatic energy saver system circulates warm liquid around edge of freezer compartment.	This is normal, this helps prevent condensation on outside

# Troubleshooting

Problem	Possible Causes	What To Do
<b>Water/ ice dispenser does not work (on some models)</b>	Water supply line turned off or not connected.	The refrigerator must be connected to water, and the ice maker must be turned on. See Installing the water line.
	Water filter clogged. Filter is not properly installed / Filter water leak	Replace filter or install plug, make sure the water filter is properly installed (refer to water filter section).
	Air may be trapped in the water system.	Press dispenser arm for at least two minutes
	Dispenser is LOCKED.	Press and hold "Control Lock" in the control panel for 3 seconds
	Supply line or shutoff valve is clogged	Verify that it is flow from the house water supply line. If there's not flow we recommend to have a plumber review the installation.
<b>Automatic icemaker does not work</b>	Icemaker is OFF on the control panel	Make sure the ice maker is turned on, only after the water line is connected and water is turned on turn on your ice maker by pressing the "Ice Maker" button on the control panel to turn it on. A light above the "Ice Maker" button will turn on, indicating that it is activated.
	Freezer compartment too warm.	A newly installed refrigerator may take 12 to 24 hours to begin making ice cubes.
	Irregular ice clumps in storage container.	Break up with fingertip pressure and discard remaining clumps
		Freezer may be too warm: Adjust freezer control to colder setting, one position at a time, until clumps do not form
<b>Small or hollow cubes Low ice production</b>	Water filter clogged.	Replace filter cartridge with new cartridge or with plug. Water quality varies from city to city; if water flow from the dispenser slows, or ice production decreases, the water filter should be replaced, even though the filter indicator may not indicate the need for replacement.
	Low water pressure	If the water supply hose is bent, the water flow could be compromised  A cold water supply with water pressure between 40 and 120 psi (275 - 827 kilopascals) is required to operate the water dispenser and ice maker
	Frozen food blocking the air outlet. Freezer compartment too warm.	To maximize ice production, it is recommended to not over pack the top section of the freezer, allow some space at the top of the freezer compartment so cold air can reach the ice maker in the door. Normal ice production = 120 cubes in 24 hours.
<b>Dispensing crushed ice when selecting CUBED ICE</b>	Last setting was CRUSHED ICE	A few pieces of ice were left in the crusher from the previous setting. This is normal.
<b>Water in first glass is warm (on some models)</b>	Normal when refrigerator is first installed or high usage.	The water dispenser tank located inside the refrigerator stores water for dispensing. The water in this tank requires 24 hours to chill after installation. High usage conditions will not allow time for the water to chill.
	Water dispenser has not been used for a long time.	Dispense water until all air in system is purged.
	Water system has been drained.	Allow several hours for replenished supply to chill
<b>Water spurting or leaking from dispenser</b>	Newly-installed filter cartridge.	Run water from the dispenser about 5 minutes (about 2 gallons), to remove air from system.
	Air may be present in the water line system, causing water to drip after being dispensed	Run water from the dispenser about 5 minutes (about 2 gallons), to remove air from system.  A few drops of water may fall from the dispenser, after the dispenser paddle has been released. To minimize the drops, remove the glass slowly from the dispenser.
<b>Water is not dispensed (on some models) but icemaker is working</b>	Water in reservoir is frozen because the controls are too cold	Set the refrigerator control to a warmer setting and wait 24 hours. If the water does not dispense after 24 hours, call for service

# Troubleshooting

Problem	Possible Causes	What To Do
<b>Water on kitchen floor or on bottom of freezer</b>	Cubes jammed in chute	Remove the ice bucket and poke ice through the chute with a wooden spoon.
	Water house line not connected properly to the refrigerator.	While purging air from the water system, check all water line connections for leaks. Check connection to household water supply at back of refrigerator, and door water line connection.
<b>Refrigerator, Ice or water have odor/ taste</b>	Food transmitting odor/taste to ice cubes.	Foods with strong odors should be tightly wrapped. Keep an open box of baking soda in the refrigerator; replace every three months.
	Interior of refrigerator needs cleaning.	See Care and Cleaning section.
	Water / Ice has not been used for a long time.	Dispense water until system is replenished, recommended 5 minutes (about 2 gallons). Remove ice bucket and discard old cubes.
	Newly-installed filter cartridge or refrigerator first plugged	After starting the ice maker, throw away 24 hours of ice production to avoid odor and taste problems.
		Run water from the dispenser recommended 5 minutes (about 2 gallons), It is normal for ice or water to have a few black specks during the initial system flush.
<b>Moisture forms on outside of refrigerator</b>	Not unusual during periods of high humidity	Wipe surface dry.
<b>Moisture/Frost collects inside (in humid weather, air carries moisture into refrigerator when doors are opened)</b>	Too frequent or too long door openings	Frost inside the freezer typically indicates that the door is not properly sealed, or has been left open. If frost is found, clear the frost using a plastic spatula and towel, then check to ensure that no food packages or containers are preventing the freezer door from closing. Check the refrigerator control panel to ensure the door alarm is on.
	Due to higher humidity in the refrigerator, you may on occasion experience fog or small amounts of moisture in the refrigerator compartment	This is normal, loads and environmental conditions may vary, use a paper towel if desired.
<b>Interior light does not work</b>	No power at outlet	Replace fuse or reset the breaker.
	For LED lights	Call to schedule a Service appointment.
<b>Hot air from bottom of refrigerator</b>	Normal air flow cooling motor. In the refrigeration process, it is normal that heat be expelled in the area under the refrigerator.	This is normal.
<b>Refrigerator never shuts off but the temperatures are OK</b>	Adaptive defrost keeps compressor running during door openings	This is normal. The refrigerator will cycle off after the door remains closed for 2 hours.
<b>Refrigerator is beeping</b>	This is the door alarm Door is open	- Turn off or disable with door closed. - If door is open and alarm is sounding, you can only snooze the alarm - Check the door is completely closed.
<b>Door not closing properly</b>	Door gasket on hinge side sticking or folding over	Apply petroleum jelly on face of gasket
<b>Handle is loose / handle has a gap</b>	Handle needs adjusting	If door handles are loose or have a gap, the handle can be adjusted using a 1/8" allen wrench, on set screws located on the ends of the handles. See INSTALLING THE REFRIGERATOR (Step 5 REFRIGERATOR AND FREEZER HANDLE INSTALLATION) section.
<b>Top of the refrigerator doors are not aligned</b>	Several things can affect the refrigerator door alignment, including the floor the refrigerator is installed on and loading of doors.	Use a 7/16 " wrench to adjust the right hand door. Recheck alignment after loading food. Repeat the process if needed. See Installation Instructions (step 4 ALIGNING THE DOOR) section.
<b>Vibration or rattling (slight vibration is normal)</b>	Leveling legs need adjust.	Install the refrigerator on a solid and flat area. See Installation Instructions section "Level the refrigerator".
	Objects around or on the top of the appliance.	Remove the objects. Refrigerators vibrate slightly during compressor or fan operation. Items placed on top can rattle or buzz due to these vibrations.
	Not enough rear to the walls	Allow the recommended clearance around the appliance.

# Troubleshooting

Problem	Possible Causes	What To Do
Frequent “buzzing sound”	Icemaker is ON, but the water supply to the refrigerator has not been connected.	Press the “Ice Maker” button on the control panel to turn it OFF. A light above the “Ice Maker” button will turn OFF, keeping it in the ON position will damage the water valve.
Popping/hissing sound coming from the freezer area.	This is normal operation for defrost heater. The heater is clearing out frost from your refrigerator evaporator for optimum operation.	It is normal operation and the heater will turn off once frost has been cleared.
Clicking sounds	A click can occur when the electrical components starts or stops	The electronic control board may cause a clicking sound when relays activate to control refrigerator components. Normal operation. Electronic dampers click open and closed to provide optimal cooling and energy savings. Normal operation.
	Evaporator and condenser fan working.	You may hear fans moving at high speed. The fans help maintain the correct temperatures in your refrigerator. Sometimes they may run for a long time, especially when the doors are opened often or when a large amount of food is stored. It's part of normal operation.
WHIRR or whooshing sound	Air Pressure Equalization	You may hear a whooshing sound when the doors close. This is due to pressure equalizing within the refrigerator. It's part of normal operation.
	Refrigerant flowing through the cooling system.	The flow of refrigerant may produce a bubbling sound like boiling water. This is normal and part of the cooling process.
Gurgling sounds	Thermal Expansion and Contraction	You may hear cracking or popping sounds when the refrigerator temperature rises or decreases. This happens because plastic parts contract and expand. It's part of normal operation.
Cracking or popping sounds	The refrigerator may emit sounds similar to a motor when it is starting or finishing an operation.	This is normal and part of the cooling cycle. Sometimes it may run for a prolonged period, especially when the doors are opened frequently.
BRRR! Sound	Defrost Heater Activation	Water dripping on the defrost heater may cause sizzling, popping, or buzzing sounds during the defrost cycle. A dripping water noise may be heard during the defrost cycle as ice melts from the evaporator and flows into the drain pan for optimum operation.
Sizzling sound	Ice cubes dropping into the ice bin	In models with an ice maker, after completing an ice-making cycle, you may hear a loud noise when cubes are dropping into the ice storage bucket. This is normal and occurs after the ice maker completes a cycle.
Clunking/ dropping sound	Water Inlet Valve Activation	You will hear a buzzing sound as the water inlet valve opens to allow water to flow from water line into the ice maker or when you dispense water. This sound may be heard once or multiple times. It's part of normal operation.
Home appliance not connected to the Wi-Fi.(on some models)	Wi-Fi is turned off on the smartphone	Check your device settings and enable Wi-Fi.
	Router is turned off or not working	Ensure the router is powered on and all cables are properly connected.
	Weak Wi-Fi signal	Move closer to the router or eliminate physical obstructions.
	Incorrect Wi-Fi password	Re-enter the correct password. Reset it if forgotten.
	Smartphone used to set up appliance connection is in Airplane Mode	Turn off Airplane Mode in your device settings.
	Network congestion (too many devices connected)	Disconnect unused devices or restart the router to refresh connections.
	Device software is outdated	Update your device's operating system or firmware.
	Router frequency is not 2.4 GHz	Set the router to 2.4 GHz. Check with your ISP or router manufacturer for help.
Wi-Fi name or password have been changed.	Follow Smart HQ instructions, to remove appliance and add it back.	

\*Some models do not come equipped with the filter bypass plug. To obtain a free bypass plug, call 833.4BODEWELL and request WR17X33825 filter bypass plug. In Canada, call 800.561.3344.

# GE Appliances Refrigerator Limited Warranty

**LIMITED WARRANTY**

## GEAppliances.com

For US Customers, all warranty service is provided by our Factory Service Centers, or an authorized Customer Care® technician. To schedule service online, visit us at [GEAppliances.com](http://GEAppliances.com), or call GE Appliances at 833.4BODEWELL (833.426.3393). Please have your serial number and your model number available when calling for service. In Canada, call 800.561.3344.

Service your refrigerator may require the use of the onboard data port for diagnostics. This gives a GE Appliances Factory Service technician the ability to quickly diagnose any issues with your appliance and helps GE Appliances improve its products by providing GE Appliances with information on your appliance. If you do not want your appliance data to be sent to GE Appliances, please advise your technician NOT to submit the data to GE Appliances at the time of service.

### For the Period of: **GE Appliances Will Replace**

#### GE BRAND and GE PROFILE BRAND:

<b>One Year</b> From the date of the original purchase	<b>Any part</b> of the refrigerator which fails due to a defect in materials or workmanship. During the <b>limited one-year warranty</b> , GE Appliances will also provide, <b>free of charge</b> , all labor and related service to replace the defective part.
-----------------------------------------------------------	------------------------------------------------------------------------------------------------------------------------------------------------------------------------------------------------------------------------------------------------------------------

<b>Thirty Days</b> (Water filter, if included) From the original purchase date of the refrigerator	<b>Any part</b> of the water filter cartridge which fails due to a defect in materials or workmanship. During this <b>limited thirty-day warranty</b> , GE Appliances will also provide, <b>free of charge</b> , a replacement water filter cartridge.
----------------------------------------------------------------------------------------------------------	--------------------------------------------------------------------------------------------------------------------------------------------------------------------------------------------------------------------------------------------------------

#### GE PROFILE BRAND ONLY:

<b>Five Years</b> From the original date of the purchase	<b>Any part</b> of the sealed refrigerating system (the compressor, condenser, evaporator and all connecting tubing) which fails due to a defect in materials or workmanship. During this <b>limited five-year sealed refrigerating system warranty</b> , GE Appliances will also provide, <b>free of charge</b> , all labor and related service to replace the defective part in the sealed refrigerating system.
-------------------------------------------------------------	--------------------------------------------------------------------------------------------------------------------------------------------------------------------------------------------------------------------------------------------------------------------------------------------------------------------------------------------------------------------------------------------------------------------

### What GE Appliances Will Not Cover:

- Service trips to your home to teach you how to use the product.
- Improper installation, delivery or maintenance.
- Failure of the product if it is abused, misused, or used for other than the intended purpose or used commercially.
- Loss of food due to spoilage.
- Replacement of house fuses or resetting of circuit breakers.
- Damage to finish, such as surface rust, tarnish, or small blemishes not reported within 48 hours of delivery.
- Damage caused by a non-GE Appliances Brand water filter.
- Replacement of the water filter cartridge, if included, due to water pressure that is outside the specified operating range or due to excessive sediment in the water supply.
- Replacement of the light bulbs, if included, or water filter cartridge, if included, other than as noted above.
- Damage to the product caused by accident, fire, floods or acts of God.
- Incidental or consequential damage caused by possible defects with this appliance.
- Product not accessible to provide required service.

### EXCLUSION OF IMPLIED WARRANTIES

Your sole and exclusive remedy is product repair as provided in this Limited Warranty. Any implied warranties, including the implied warranties of merchantability or fitness for a particular purpose, are limited to one year or the shortest period allowed by law.

**For US Customers:** This limited warranty is extended to the original purchaser and any succeeding owner for products purchased for home use within the USA. If the product is located in an area where service by a GE Appliances Authorized Servicer is not available, you may be responsible for a trip charge or you may be required to bring the product to an Authorized GE Appliances Service location for service. In Alaska, the limited warranty excludes the cost of shipping or service calls to your home. Some states do not allow the exclusion or limitation of incidental or consequential damages. This limited warranty gives you specific legal rights, and you may also have other rights which vary from state to state. To know what your legal rights are, consult your local or state consumer affairs office or your state's Attorney General.

**Warrantor: GE Appliances, a Haier company, Louisville, KY 40225**

#### In Canada (including the province of Québec):

This limited warranty is extended to the original purchaser and any succeeding owner for products purchased in Canada including Québec for home use within Canada including Québec. If the product is located in an area where service by a GE Appliances Authorized Servicer is not available, you may be responsible for a trip charge or you may be required to bring the product to an Authorized GE Appliances Service location.

Some provinces including Québec do not allow the exclusion or limitation of incidental or consequential damages. This limited warranty gives you specific legal rights, and you may also have other rights which vary from province to province including Québec. To know what your legal rights are, consult your local or provincial consumer affairs office.

#### For Québec consumers only - Notice on the warranty of availability of spare parts, repair services and information necessary for repair or maintenance (s. 39 of the Consumer Protection Act):

Please be advised that MC Commercial Inc. ("MC Commercial") does not guarantee, within the meaning of section 39 of the Consumer Protection Act, CQLR, c. P-40.1 and sections 79.18 to 79.20 of the Regulation respecting the application of the Consumer Protection Act, CQLR, c. P-40.1, r. 3, the availability of replacement parts, repair services, or the information necessary for the maintenance or repair of goods manufactured, imported, advertised, or sold by MC Commercial.

Please note that MC Commercial Inc. continues to offer the manufacturer's limited warranty as stated in the Owner's Manual or Quick Guide, and that this limited warranty is distinct from the statutory warranty of availability provided for under section 39 of the Consumer Protection Act.

**Warrantor: MC Commercial Inc., Burlington, ON, L7L 6B2**

Staple your receipt here. Proof of the original purchase date is needed to obtain service under the warranty.









# Consumer Support

---

## GE Appliances Website

Have a question or need assistance with your appliance? Try the GE Appliances Website 24 hours a day, any day of the year! You can also shop for more great GE Appliances products and take advantage of all our on-line support services designed for your convenience. In the US: [GEAppliances.com](http://GEAppliances.com) In Canada: [GEAppliances.ca](http://GEAppliances.ca)

---

## Register Your Appliance

Register your new appliance on-line at your convenience! Timely product registration will allow for enhanced communication and prompt service under the terms of your warranty, should the need arise. You may also mail in the pre-printed registration card included in the packing material.

In the US: [GEAppliances.com/register](http://GEAppliances.com/register)

In Canada: [Prodsupport.mabe.ca/crm/Products/ProductRegistration.aspx](http://Prodsupport.mabe.ca/crm/Products/ProductRegistration.aspx)

---

## Schedule Service

Expert GE Appliances repair service is only one step away from your door. Get on-line and schedule your service at your convenience any day of the year. In the US: [GEAppliances.com/service](http://GEAppliances.com/service) or call 833.4BODEWELL during normal business hours. In Canada: [GEAppliances.ca/en/support/service-request](http://GEAppliances.ca/en/support/service-request) or call 800.561.3344

---

## Extended Warranties

Purchase a GE Appliances extended warranty and learn about special discounts that are available while your warranty is still in effect. You can purchase it on-line anytime. GE Appliances Services will still be there after your warranty expires. In the US: [GEAppliances.com/extended-warranty](http://GEAppliances.com/extended-warranty) or call 800.626.2224 during normal business hours.

In Canada: [GEAppliances.ca/en/support/purchase-extended-warranty](http://GEAppliances.ca/en/support/purchase-extended-warranty) or call 866.277.9842

---

## Parts and Accessories

Individuals qualified to service their own appliances can have parts or accessories sent directly to their homes (VISA, MasterCard and Discover cards are accepted). Order on-line today 24 hours every day.

In the US: [GEApplianceparts.com](http://GEApplianceparts.com) or by phone at 877.959.8688 during normal business hours.

**Instructions contained in this manual cover procedures to be performed by any user. Other servicing generally should be referred to qualified service personnel. Caution must be exercised, since improper servicing may cause unsafe operation.**

Customers in Canada should consult the yellow pages for the nearest authorized GE Appliances service parts distributor, visit our website at [GEAppliances.ca/en/products/parts-filters-accessories](http://GEAppliances.ca/en/products/parts-filters-accessories) or call 800.661.1616.

---

## Contact Us

If you are not satisfied with the service you receive from GE Appliances, contact us on our Website with all the details including your phone number, or write to:

In the US: General Manager, Customer Relations | GE Appliances, Appliance Park | Louisville, KY 40225

[GEAppliances.com/contact](http://GEAppliances.com/contact)

In Canada: Director, Consumer Relations | MC Commercial Inc. | Suite 300, 5420 North Service Road | Burlington, ON L7L 6C7

[GEAppliances.ca/en/contact-us](http://GEAppliances.ca/en/contact-us)

---



# Côte à Côte RÉFRIGÉRATEURS

## INFORMATIONS DE SÉCURITÉ... 3

## UTILISATION DU RÉFRIGÉRATEUR

- Caractéristiques ..... 6
- Commandes..... 8
- Mode Sabbat..... 9
- Tablettes et balconnets ..... 10
- Tiroirs ..... 11
- Distributeur ..... 11
- Wi-Fi..... 12
- Réponse à la demande ..... 13
- Cartouche de filtre à eau XWFE..... 14
- Machine à glaçons automatique..... 15

## ENTRETIEN ET NETTOYAGE ... 16

## INSTRUCTIONS D'INSTALLATION

- Avant de commencer..... 18
- Préparation ..... 18
- Outils dont vous pourriez avoir besoin... 18
- Dimensions ..... 19
- Déplacer le réfrigérateur..... 21
- Installation du réfrigérateur ..... 24
- Installation de la conduite d'eau ..... 27

## CONSEILS DE DÉPANNAGE .... 31

## GARANTIE LIMITÉE ..... 35

## GARANTIE DE CARTOUCHE FILTRANTE À EAU..... 36

## COMMUNICATION DE L'ÉLECTROMÉNAGER ..... 30

## SOUTIEN AUX CONSOMMATEURS..... 40

Notez les numéros de modèle et de série ici :

Modèle N° \_\_\_\_\_

Série N° \_\_\_\_\_

Trouvez ces numéros sur une étiquette apposée sur la doublure supérieure du caisson intérieur de l'appareil, vers l'avant.

### GUIDE DE L'UTILISATEUR ET INSTRUCTION D'INSTALLATION

GSS, GSE, GZS

FRANÇAIS

## MERCI D'AVOIR FAIT DE GE APPLIANCES UNE PARTIE DE VOTRE MAISON.

---

Que vous ayez grandi avec GE Appliances, ou que ce soit votre premier, nous sommes heureux de vous avoir dans la famille.

Nous sommes fiers du savoir-faire, de l'innovation et du design qui caractérisent chaque produit GE Appliances, et nous pensons que vous le serez aussi. Entre autres choses, l'enregistrement de votre appareil garantit que nous pouvons vous fournir des informations importantes sur les produits et les détails de garantie lorsque vous en avez besoin.

Enregistrez votre appareil GE en ligne dès maintenant. Des sites Web utiles et des numéros de téléphone sont disponibles dans la section Soutien au consommateur de ce manuel d'utilisation. Vous pouvez également envoyer par courrier la carte d'enregistrement préimprimée qui se trouve dans l'emballage de votre appareil.



**GE APPLIANCES**

# INFORMATIONS DE SÉCURITÉ IMPORTANTES

## LISEZ TOUTES LES INSTRUCTIONS AVANT D'UTILISER L'APPAREIL

**⚠ AVERTISSEMENT** Pour réduire les risques d'incendie, d'explosion, d'électrocution ou de blessure lors de l'utilisation de votre réfrigérateur, suivez les consignes de sécurité suivantes :

- Ce réfrigérateur doit être correctement installé et placé conformément aux instructions d'installation avant d'être utilisé.
- Débranchez le réfrigérateur avant de procéder à des réparations ou à un nettoyage.
 

**REMARQUE :** L'alimentation du réfrigérateur ne peut être coupée par aucun réglage du panneau de commande. **REMARQUE :** Les réparations doivent être effectuées par un professionnel qualifié.
- Remplacez toutes les pièces et tous les panneaux avant l'utilisation.
- N'utilisez pas de rallonge.
- Ne stockez pas et n'utilisez pas d'essence ou d'autres vapeurs et liquides inflammables à proximité de cet appareil ou de tout autre appareil.
- Ne stockez pas de substances explosives telles que des bombes aérosol contenant un propulseur inflammable dans cet appareil.
- Pour prévenir les risques d'étouffement et de piégeage pour les enfants, retirez les portes des compartiments réfrigérateur et congélateur de tout réfrigérateur avant de les jeter ou de cesser de les utiliser.
- Pour éviter des blessures graves ou mortelles, les enfants ne doivent pas se tenir debout sur l'appareil, ni jouer dans ou avec celui-ci.
- Les enfants et les personnes dont les capacités physiques, sensorielles ou mentales sont réduites ou qui manquent d'expérience et de connaissances ne peuvent utiliser cet appareil que s'ils sont supervisés ou s'ils ont reçu des instructions sur l'utilisation sécuritaire et s'ils comprennent les dangers encourus.
- Cet appareil est destiné à être utilisé dans les applications domestiques et similaires telles que : les cuisines du personnel dans les magasins, les bureaux et autres environnements de travail; les maisons de ferme; par les clients dans les hôtels, motels, bed & breakfast et autres environnements résidentiels; la restauration et les applications similaires non-vente.
- Raccordez à l'alimentation en eau potable uniquement. Une alimentation en eau froide avec une pression d'eau comprise entre 275 et 827 kilopascals (40 et 120 psis) est nécessaire pour faire fonctionner le distributeur d'eau et la machine à glaçons.
- N'appliquez pas de nettoyants agressifs sur le réfrigérateur. Certains nettoyants endommagent le plastique, ce qui peut provoquer le détachement inopiné de pièces telles que la porte ou les poignées de porte. Reportez-vous à la section Entretien et nettoyage pour obtenir des instructions détaillées.

**⚠ ATTENTION** Pour réduire le risque de blessure lors de l'utilisation de votre réfrigérateur, suivez ces précautions de sécurité de base.

- Ne nettoyez pas les tablettes ou les couvercles en verre avec de l'eau chaude lorsqu'ils sont froids. Les tablettes et couvercles en verre peuvent se briser s'ils sont exposés à une variation de température soudaine, ou soumis à un impact s'ils sont heurtés ou échappés. S'il se brise, le verre trempé est conçu pour se fracturer en un grand nombre de petits éclats.
- Tenez les doigts à l'écart des zones de « pincement »; les espaces entre les portes et entre les portes et l'armoire sont nécessairement petits. Usez de prudence en fermant les portes lorsque des enfants se trouvent dans la zone.
- Ne touchez pas les surfaces froides dans le compartiment congélateur lorsque les mains sont humides ou mouillées, la peau peut coller à ces surfaces extrêmement froides.
- Ne recongelez pas les aliments congelés qui ont complètement décongelé.
- Dans les réfrigérateurs avec machine à glaçons automatique, évitez tout contact avec les pièces mobiles du mécanisme d'éjection. Ne placez pas les doigts ou les mains sur le mécanisme de production de glace automatique lorsque le réfrigérateur est branché à la prise électrique.
- Utilisez un verre robuste pour recevoir la glace (sur les modèles avec distributeur de glace).

## INSTALLATION

**⚠ AVERTISSEMENT**  **RISQUE D'INCENDIE OU D'EXPLOSION**

Gardez les matières inflammables et les vapeurs à l'écart du réfrigérateur. L'omission de prendre cette précaution peut entraîner un incendie, une explosion ou la mort.

# LISEZ ET CONSERVEZ CES INSTRUCTIONS

# INFORMATIONS DE SÉCURITÉ IMPORTANTES

## LISEZ TOUTES LES INSTRUCTIONS AVANT D'UTILISER L'APPAREIL

### ⚠ AVERTISSEMENT



### RISQUE D'INCENDIE OU D'EXPLOSION - Réfrigérant inflammable

Cet appareil contient du réfrigérant isobutane, également connu sous le nom de R600a, un gaz naturel à haute compatibilité environnementale. Il s'agit cependant d'un combustible. Observez les avertissements ci-dessous afin de réduire le risque de blessure ou de dommage à la propriété.

1. Lors de la manipulation, de l'installation et de l'utilisation de cet appareil, prenez soin de ne pas endommager le tuyau de réfrigérant.
2. L'entretien ou la réparation doivent être effectués par un personnel de service autorisé. Utilisez seulement des pièces de rechange autorisées par le fabricant.
3. La mise au rebut du réfrigérateur doit respecter les réglementations fédérales et locales. Le réfrigérant inflammable et le matériau isolant utilisés dans ce produit nécessitent des procédures spéciales de mise au rebut. Communiquez avec les autorités locales compétentes pour la mise au rebut de votre réfrigérateur sans danger pour l'environnement.
4. Veillez à ce que les ouvertures de ventilation situées dans la carrosserie de l'appareil ou dans la structure intégrée ne soient pas obstruées.
5. Pour enlever le givre, grattez-le avec une spatule en plastique ou en bois ou un grattoir. N'utilisez pas de pic à glace, d'instrument métallique ou à bords tranchants, car ils pourraient percer la doublure du congélateur et les tuyaux de réfrigérant inflammable situés derrière.
6. N'utilisez pas d'appareils électriques à l'intérieur du compartiment de conservation des aliments de l'appareil.
7. N'utilisez aucun appareil électrique pour dégivrer votre congélateur.

## RACCORDEMENT À L'ÉLECTRICITÉ

### ⚠ AVERTISSEMENT



### RISQUE D'ÉLECTROCUTION

Branchez l'appareil dans une prise à 3 broches mise à la terre.

Ne retirez pas la broche de mise à la terre.

N'utilisez pas d'adaptateur.

N'utilisez pas un cordon de rallonge.

Le non-respect de ces instructions peut entraîner la mort, un incendie ou une électrocution.

**Ne coupez et ne retirez en aucun cas la troisième broche (terre) du cordon d'alimentation. Pour votre sécurité, cet appareil doit être correctement mis à la terre.**

Le cordon d'alimentation de cet appareil est équipé d'une fiche à 3 broches (mise à la terre) qui s'adapte à une prise murale standard à 3 alvéoles (mise à la terre) afin de minimiser les risques d'électrocution de cet appareil.

Faites examiner la prise de courant et le circuit par un électricien qualifié pour vous assurer que la prise est correctement mise à la terre.

Dans le cas d'une prise à 2 alvéoles, l'installateur a la responsabilité et l'obligation de la remplacer par une prise à 3 alvéoles correctement mise à la terre. N'utilisez pas un adaptateur.

Le réfrigérateur doit toujours être branché sur sa propre prise électrique dont la tension nominale correspond à la plaque signalétique.

Ne placez pas de multiprises ou de blocs d'alimentation portables à l'arrière de l'appareil.

Une alimentation électrique de 115 VCA, 60 Hz, 15 A ou 20 A, protégée par fusible, mise à la terre est requise. Cela offre le meilleur rendement et empêche également la surcharge des circuits électriques de la maison qui pourrait causer un risque d'incendie en cas de surchauffe des fils.

Ne débranchez jamais votre réfrigérateur en tirant sur le cordon d'alimentation. Tenez toujours fermement la fiche et tirez-la hors de la prise.

Cessez immédiatement l'utilisation d'un cordon électrique endommagé. Si le cordon d'alimentation est endommagé, il doit être remplacé par un technicien qualifié et une pièce de rechange autorisée du fabricant.

Lorsque vous éloignez le réfrigérateur du mur, veillez à ne pas rouler sur le cordon d'alimentation ou l'endommager autrement.

## LISEZ ET CONSERVEZ CES INSTRUCTIONS

# INFORMATIONS DE SÉCURITÉ IMPORTANTES

## LISEZ TOUTES LES INSTRUCTIONS AVANT D'UTILISER L'APPAREIL

### MISE AU REBUT APPROPRIÉE DE VOTRE ANCIEN APPAREIL

#### **⚠ AVERTISSEMENT** RISQUE D'ÉTOUFFEMENT ET DE PIÉGEAGE CHEZ L'ENFANT

Le non-respect de ces instructions de mise au rebut peut entraîner des blessures graves, voire mortelles.

**IMPORTANT** : Le piégeage et l'étouffement des enfants ne sont pas des problèmes du passé. Les réfrigérateurs mis au rebut ou abandonnés sont toujours dangereux même s'ils sont laissés « quelques jours seulement ». Si vous vous débarrassez de votre ancien réfrigérateur, veuillez suivre les instructions

indiquées pour éviter les accidents.

#### **Avant de jeter votre ancien appareil :**

- Retirez les portes du réfrigérateur et du congélateur.
- Laissez les tablettes en place afin que les enfants ne puissent pas facilement grimper à l'intérieur.

#### **MISE AU REBUT DU RÉFRIGÉRATEUR :**

Jetez ou recyclez votre appareil conformément aux réglementations fédérales et locales. Le réfrigérant inflammable et le matériau isolant utilisés nécessitent des procédures spéciales de mise au rebut. Contactez les autorités locales pour la mise au rebut ou le recyclage respectueux de l'environnement de votre réfrigérateur.

### Fonctionnement dans un garage entre 3,3 °C et 43,3 °C (38 °F et 110 °F)

Certains modèles sont équipés d'un dispositif PRÊT POUR LE GARAGE et peuvent être utilisés dans des endroits où la température ambiante est comprise entre 3,3 °C et 43,3 °C (38 °F et 110 °F). Les commandes électroniques s'adaptent automatiquement à cette plage de conditions ambiantes afin de maintenir la température à l'intérieur du réfrigérateur.

#### **IMPORTANT**

Pour réduire le risque de fuite d'eau, il est nécessaire de déconnecter l'alimentation en eau dans des conditions ambiantes basses inférieures à 12,2 °C (54 °F).

Le non-respect de ces instructions peut endommager le produit.

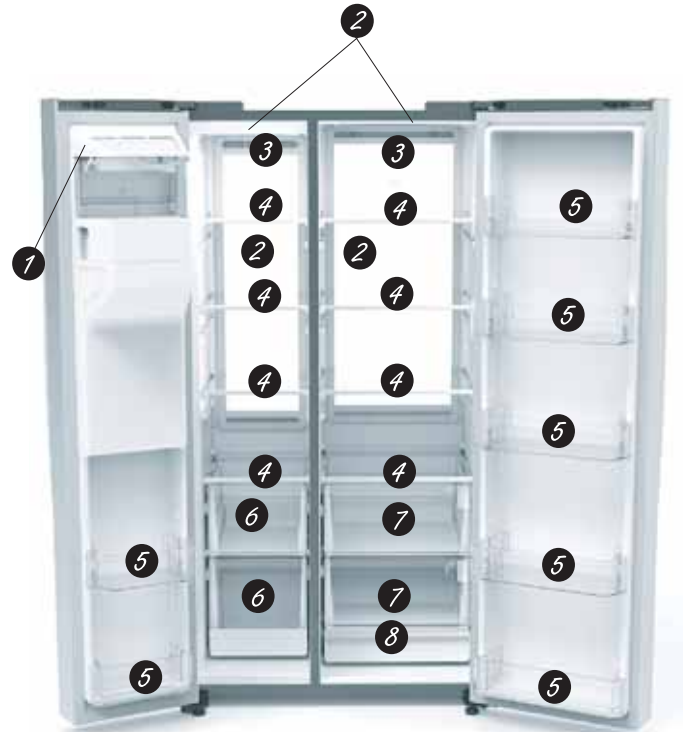
## LISEZ ET CONSERVEZ CES INSTRUCTIONS

# Fonctions

Toutes les caractéristiques ne sont pas.



Modèle à distributeur externe



Modèle à distributeur externe avec murs lumineux DEL

## 1 Machine à glaçons peu encombrante

La machine à glaçons et le bac sont situés sur la porte, créant ainsi un espace de rangement plus utilisable dans le congélateur.

## 2 Vitrine d'éclairage DEL

- Murs lumineux DEL : Deux murs lumineux DEL éclairent chaque coin de votre réfrigérateur et congélateur, vous permettant de tout voir et de le trouver rapidement. (certains modèles)
- Éclairage LED : Trouvez rapidement les plus petits objets grâce à l'éclairage LED encastré, qui diffuse une lumière vive dans tout l'intérieur. (certains modèles)

## 3 Refroidissement MultiVent

La tour d'air de refroidissement MultiVent est conçue pour répartir uniformément l'air froid dans les compartiments congélateur et réfrigérateur.

## 4 Tablettes en verre réglables

Stockez plus de vos objets de grande taille préférés comme les deux litres et profitez de la flexibilité organisationnelle à chaque niveau avec des tablettes en verre réglables bord à bord qui s'étendent d'un mur à l'autre.

## 5 Balconnets réglables

Déplacez les balconnets transparents vers le haut et vers le bas pour répondre à vos besoins, qu'il s'agisse de gros litres, de grandes bouteilles ou d'articles essentiels de tous les jours.

## 6 Tiroir pour aliments congelés

Idéaux pour ranger des produits congelés volumineux ou emballés, ces tiroirs facilitent l'organisation et la recherche de ce dont vous avez besoin.

## 7 Tiroir à fruits et légumes

Rangez les fruits et légumes dans des compartiments séparés pour un accès facile.

## 8 Advanced Water & Ice Filtration

Le filtre à eau du réfrigérateur inclus réduit plus de 50 impuretés, y compris le plomb, le chlore, les microplastiques et le APFO/PFOS, offrant ainsi des propriétés propres, eau potable et glace.

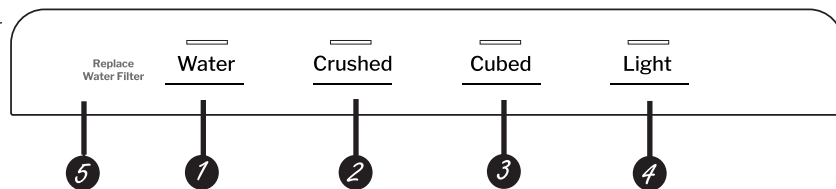
# Fonctions

Toutes les caractéristiques ne sont pas disponibles sur tous les modèles.

## COMMANDES EXTERNES DES DISTRIBUTEURS DE GLAÇONS ET D'EAU

Accédez facilement à l'eau propre et à la glace filtrée à partir d'un grand distributeur supplémentaire conçu pour remplir tout le monde dans la bouteille d'eau préférée de la famille.

Le réfrigérateur est livré avec une pellicule protectrice qui recouvre les commandes. Si la pellicule n'a pas été retirée lors de l'installation, retirez-la maintenant.



- 1 Eau**  
Touche pour sélectionner l'eau distribuée en appuyant sur la palette.
- 2 Concassée**  
Touche pour sélectionner la glace concassée distribuée en appuyant sur la palette.
- 3 Cubes**  
Touche pour sélectionner la glace en cubes distribuée en appuyant sur la palette.

- 4 Lumière**  
Appuyez sur ce bouton pour contrôler l'éclairage du distributeur. Une sonnerie accompagnera chaque pression.
- 5 Remplacer le filtre à eau**  
Remplacer le filtre à eau Le voyant d'état du filtre s'allume à 10 % de la durée de vie restante.

# Commandes

## COMMANDES DU RÉFRIGÉRATEUR/CONGÉLATEUR

Le réfrigérateur est livré avec une pellicule protectrice qui recouvre les commandes. Si la pellicule n'a pas été retirée lors de l'installation, retirez-la maintenant.

Les réglages de température recommandés, préréglés en usine, sont (3 °C) 37 °F pour le réfrigérateur et (-18 °C) 0 °F pour le congélateur.



### Alarme de porte (Door Alarm)

Un signal sonore retentit lorsque les portes du congélateur ou du réfrigérateur ont été laissées ouvertes. Rappelez l'alerte en appuyant sur n'importe quelle touche. Appuyez sur **Door Alarm** pour activer ou désactiver l'alarme lorsqu'une alerte n'est pas active.

### Verrouillage de commandes (Control Lock)

Maintenez la touche **Control Lock** enfoncée pendant 3 secondes pour verrouiller le distributeur de glaçons ou d'eau, les boutons de fonction et les commandes de température. Pour désactiver cette fonction, maintenez la touche **Control Lock** enfoncée pendant 3 secondes.

### Machine à glaçons (Ice Maker)

Appuyez **Ice Maker** pour l'allumer et l'éteindre.

### Wi-Fi

Certains modèles disposent d'une fonction Wi-Fi intégrée. Appuyez simultanément sur les boutons **Door Alarm** et **Ice Maker** et maintenez-les enfoncés pendant 3 secondes pour entrer/quitter le mode de configuration connecté. Suivez les instructions de l'application SmartHQ pour terminer le processus. Si votre modèle n'est pas équipé de la fonction Wi-Fi intégrée, un accessoire en option peut être ajouté (no PBX23W00Y1).

### Remplacer le filtre (Replace Filter)

S'allume lorsqu'il reste 10 % de durée de vie du filtre.

### Filtre expiré (Filter expired)

S'allume lorsque le filtre est périmé et doit être remplacé. Le filtre expire lorsqu'il atteint sa capacité d'utilisation d'eau ou 6 mois d'utilisation (selon la première éventualité). « **ERR** » s'allume sur l'affichage lorsqu'aucun filtre n'est présent ou qu'un filtre incorrect est installé.

### Refroidissement turbo (Turbo Cool)

Activez **Turbo Cool** pour récupérer rapidement la température du compartiment réfrigérateur après de fréquentes ouvertures de porte. Appuyez sur le bouton **Turbo Cool** et maintenez-le enfoncé pendant 3 secondes pour activer/désactiver la fonction **Turbo Cool**.

### Congélation turbo (Turbo Freeze)

Activez **Turbo Freeze** pour rétablir rapidement la température du congélateur après de fréquentes ouvertures de porte.

### Fahrenheit / Celsius

Pour basculer entre C et F, maintenez enfoncés simultanément les boutons **Freezer** et **Door Alarm** pendant 3 secondes.

### Contrôle du volume

Appuyez sur le bouton **Door Alarm** et maintenez-le enfoncé. Il passe en revue les options **Low**, **High** et **Off** (faible, élevé, désactivé).

### Mode Sabbat

Maintenez simultanément les boutons **Fridge** et **Control Lock** enfoncés pendant trois secondes pour entrer et quitter le mode Sabbat. .

### Contrôle de la température du compartiment congélateur

Règle la température du compartiment congélateur. La température du congélateur est préréglée en usine à **-18 °C (0 °F)**. Attendez 24 heures pour que la température se stabilise au réglage prédéfini recommandé.

### Contrôle de la température du compartiment réfrigérateur

Règle la température du compartiment réfrigérateur. La température du réfrigérateur est préréglée en usine à **3 °C (37 °F)**. Attendez 24 heures pour que la température se stabilise au réglage prédéfini recommandé.

### Fuite détectée (Leak Detected)

S'allume lorsque de l'eau est détectée à l'extérieur du filtre, ce qui indique une fuite.

# Mode Sabbat

## Mode sabbat automatique **OU** (Union Orthodoxe) et **CRC** (Congrès Rabbiniqne Central)

Ce réfrigérateur offre un mode sabbat OU et CRC conforme aux normes établies par l'Union orthodoxe, le Congrès rabbinique central et Halacha Tech, et est certifié à 100 % aux normes halacha les plus élevées. Pour activer le mode sabbat OU et CRC, un « Shabbos Keeper » séparé pour les réfrigérateurs doit être connecté au réfrigérateur. Le Shabbos Keeper peut être acheté sur [zmantechnologies.com](http://zmantechnologies.com) ou [GEAppliances.ca](http://GEAppliances.ca). La seule façon d'activer le mode sabbat OU et CRC est avec l'achat du Shabbos Keeper pour réfrigérateurs.

Le Shabbos Keeper se connecte à votre réfrigérateur pour activer automatiquement les modes compatibles Shabbos chaque semaine et avant chaque congé. Le mode approprié s'activera automatiquement en fonction de la date du calendrier juif pour votre emplacement. Lorsque le Shabbos Keeper est correctement connecté au réfrigérateur, l'écran affiche SAB.



## Mode sabbat manuel

Le mode sabbat est destiné au sabbat et aux fêtes des juifs. Le mode sabbat permet aux juifs pratiquants de réfrigérer et congeler les aliments pendant la durée de la fête.

On peut régler le mode sabbat pour outrepasser les réactions habituelles aux actions sur votre électroménager. En mode sabbat, votre électroménager fonctionnera encore normalement. Cependant, l'électroménager ne répondra pas à vos actions.

En mode sabbat, vous remarquerez peut-être que le ventilateur fonctionne lorsque la porte est ouverte; cependant, ce n'est pas le résultat de vos actions. Le ventilateur fonctionnera plutôt d'une façon aléatoire. Le dégivreur continue à dégivrer l'appareil et est activé par minuterie. Le dégivreur ne dégivrera pas en raison de l'ouverture des portes ou de toute action du consommateur.

## MODE SABBAT

L'affichage indique "**SAb**" lorsqu'il est mis en mode sabbat et quitte automatiquement cet état de fonction après 4 jours du calendrier ou 96 heures.

**AFFICHAGES, ALARMES et LUMIÈRES**—Le contrôle de température principal, les alarmes de porte et les lumières sont désactivés.

**MACHINE À GLAÇONS** —La machine à glaçons sera désactivée.

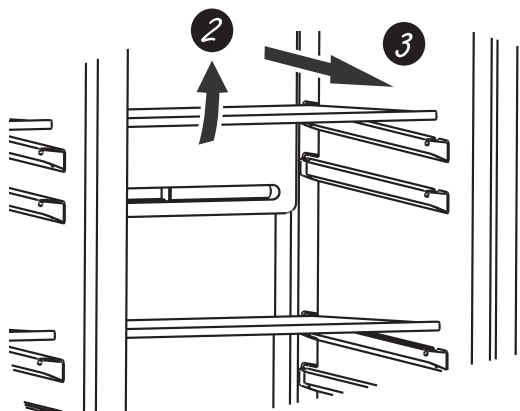
## Tablettes et balconnets

### RÉGLAGE DES TABLETTES

Les tablettes du compartiment réfrigérateur sont réglables.

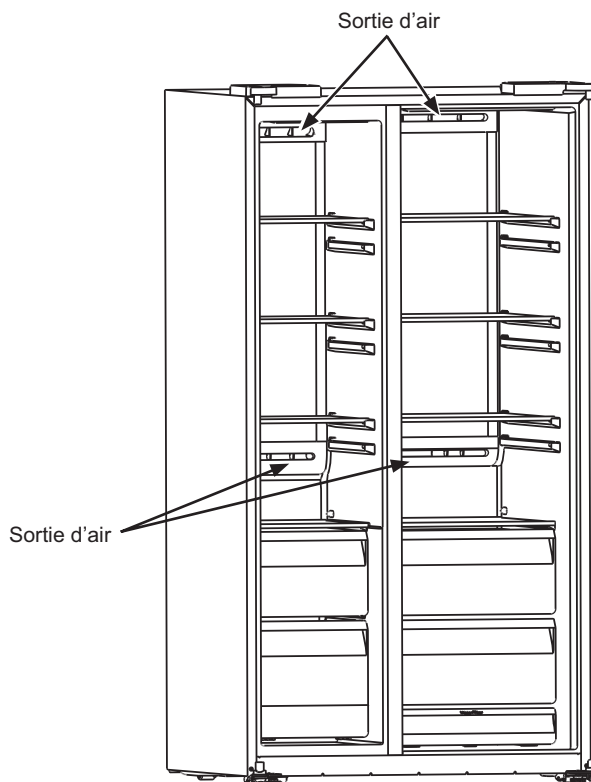
Pour retirer :

- 1 Retirez tous les articles de la tablette.
- 2 Inclinez la tablette vers le haut à l'avant.
- 3 Soulevez la tablette à l'arrière et retirez-la.



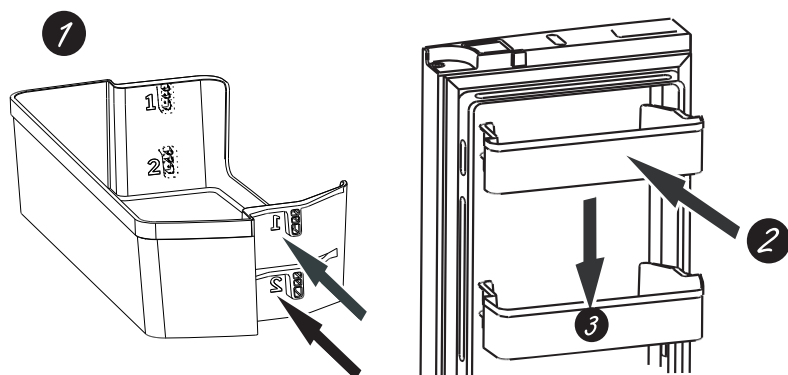
**REMARQUE :** Assurez-vous que les tablettes sont installées dans le bon sens (dessus vers le haut) de façon qu'elles se verrouillent bien en place.

**REMARQUE :** La tablette en verre la plus basse de chaque compartiment est légèrement différente des tablettes ordinaires. La tablette plus grande est dotée d'une bande de garniture arrière. Elle doit être installée dans la position la plus basse.



**REMARQUE :** Ne bloquez pas la sortie d'air en plaçant des aliments directement contre elle. Cela peut entraîner des températures irrégulières.

### RÉGLAGE DES BALCONNETS :



Pour installer :

- 1 Sélectionnez la position de balconnet que vous souhaitez utiliser, supérieure (1) ou inférieure (2).
- 2 Insérez le balconnet horizontalement dans la porte intérieure.
- 3 Poussez le balconnet vers le bas pour le verrouiller en place.



# Tiroirs

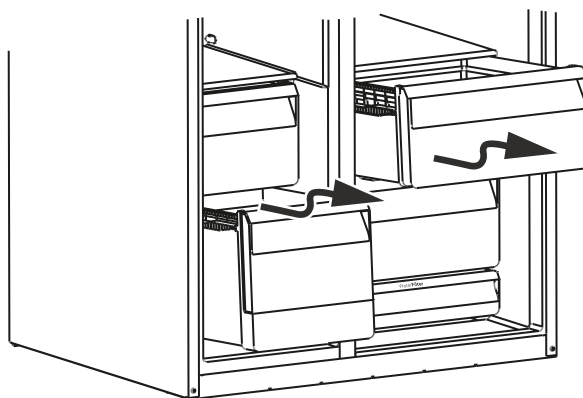
## TIROIRS À FRUITS ET LÉGUMES

Rangez les fruits et légumes dans des compartiments séparés pour un accès facile

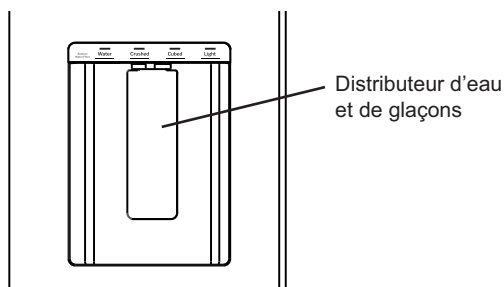
L'excès d'eau qui peut s'accumuler au fond des tiroirs ou sous les tiroirs doit être essuyé.

## RETRAIT DU TIROIR

Le tiroir peut être facilement retiré en le tirant tout droit vers l'extérieur et en le soulevant au-dessus de la butée.



## Distributeur d'eau et de glaçons (certains modèles)



### Faits importants concernant votre distributeur

- N'ajoutez pas de glaçons provenant de plateaux ou de sacs dans le seau de la machine à glaçons de la porte. Il peut ne pas concasser ou distribuer.
- Évitez de trop remplir le verre avec de la glace et d'utiliser des verres étroits. La glace de réserve peut bloquer la goulotte ou bloquer la porte de la goulotte. Si de la glace bloque la goulotte, retirez le seau à glace et enfoncez-la à l'aide d'une cuillère en bois.
- Les boissons et les aliments ne doivent pas être refroidis rapidement dans le bac de la machine à glaçons de la porte. Les canettes, bouteilles ou emballages alimentaires dans le tiroir de rangement peuvent bloquer la machine à glaçons ou la vis sans fin.

### ⚠ AVERTISSEMENT Risque de coupure

- Ne mettez jamais les doigts ou tout autre objet dans l'ouverture de décharge du concasseur à glace. Vous risqueriez d'entrer en contact avec les lames qui concassent la glace et de provoquer des blessures graves ou une amputation.
- Utilisez un verre solide pour recevoir la glace. Un verre délicat peut se briser et entraîner des blessures.  
Si aucune eau n'est distribuée après l'installation, assurez-vous que le robinet d'alimentation en eau est ouvert. Il peut également être nécessaire de purger l'air dans la conduite en versant de l'eau pendant plusieurs minutes.  
Pour la première fois, faites couler 7,5 litres (2 gallons US) d'eau dans le distributeur (environ 5 minutes) pour purger le système. De l'eau peut jaillir et des bulles d'air peuvent être visibles. Si l'eau ne coule pas, vérifiez l'installation du filtre. Suivez la même procédure lors du remplacement du filtre à eau.
- Pour empêcher la glace distribuée de manquer le verre, placez le verre près de l'ouverture du distributeur, sans le toucher.
- De la glace concassée peut être distribuée même si vous avez sélectionné des CUBES.
- Après la distribution de glace concassée, de l'eau peut s'écouler de la goulotte.
- Parfois, un petit monticule de neige se forme sur la porte de la goulotte de glace. Cette condition est normale et se produit généralement lorsque vous avez distribué de la glace concassée à plusieurs reprises. La neige finira par s'évaporer.

## Wi-Fi (certains modèles) (pour les clients aux États-Unis, dans ses territoires et au Canada)

### Connectez-vous à l'application SmarthQ™ pour débloquer des avantages supplémentaires\*

**Contrôle et commodité** – Surveillez et contrôlez votre électroménager où que vous soyez, recevez des alertes et optimisez-le avec des mises à jour.

**Cuisine et style de vie** – Créez et planifiez des repas, des recettes et commandez des produits d'épicerie de n'importe où.

**Assistance plus intelligente** – Obtenez des conseils de l'Assistant SmarthQ™, un service de premier ordre et commandez facilement des pièces et des accessoires.

\*Les fonctions et les avantages peuvent varier selon le produit.

### Télécharger l'application SmarthQ™

1. Numérisez le code QR fourni, OU
2. Visitez [electromenagersge.ca/connected-appliances](http://electromenagersge.ca/connected-appliances) sur votre appareil mobile pour télécharger l'application.

### Configurer votre électroménager

- Connectez-vous à l'application SmarthQ™.
- Si votre produit n'est pas détecté automatiquement, appuyez sur le symbole « + » dans le coin supérieur droit.
- Suivez les instructions à l'écran pour connecter votre électroménager

**REMARQUE** : Si votre électroménager n'est pas compatible WiFi Connect, veuillez sélectionner « Configuration non connectable » et suivre les instructions fournies pour déverrouiller les avantages de SmarthQ™.

### Besoin d'aide?

Si vous éprouvez des difficultés à vous connecter, appelez notre Groupe d'assistance connectée au domicile au : 1-800-220-6899 (États-Unis uniquement).

Cet appareil est conforme aux prescriptions de la partie 15 des règles de la FCC. Le fonctionnement de cet appareil est assujéti aux deux conditions suivantes :

1. Cet appareil ne doit pas causer de brouillage préjudiciable, et
2. Cet appareil doit accepter tout brouillage qu'il reçoit, y compris celui pouvant entraîner un fonctionnement indésirable.

**AVIS** : Les modifications non explicitement approuvées par GE Appliances peuvent annuler le droit de l'utilisateur de se servir de cet équipement.

## RENSEIGNEMENTS RÉGLEMENTAIRES

### Déclaration de conformité de la FCC/IC :

#### Identification FCC : ZKJ-294D2018 IC : 10229A-294D2018

Cet appareil est conforme aux prescriptions de la partie 15 des règles de la FCC. Cet appareil contient un ou plusieurs émetteurs/récepteurs exempts de licence conformes aux normes RSS d'Innovation, science et développement économique Canada relatives aux dispositifs exempts de licence. Le fonctionnement de cet appareil est assujéti aux deux conditions suivantes :

1. Cet appareil ne doit pas causer de brouillage préjudiciable.
2. Cet appareil doit accepter tout brouillage qu'il reçoit, y compris celui pouvant entraîner un fonctionnement indésirable.

**Avis** : Les modifications non explicitement approuvées par le fabricant peuvent annuler le droit de l'utilisateur de se servir de cet équipement.

**SmarthQ Connect uniquement (ou module de communication similaire)**

**Exposition aux radiofréquences** - Cet appareil n'est autorisé qu'à des fins d'application mobile. Une distance de séparation d'au moins 20 cm entre l'appareil **SmarthQ Connect** et le corps de l'utilisateur doit être maintenue en permanence.

# Réponse à la demande (Demand Response) (certains modèles)

Ce produit est doté d'une fonctionnalité Wi-Fi et nécessite une connectivité Internet et un routeur sans fil pour permettre l'interconnexion avec un système de gestion de l'énergie et/ou avec d'autres périphériques, systèmes ou applications externes.

## Qu'est-ce que la réponse à la demande?

Certains services publics varient leurs tarifs d'électricité en fonction de l'heure de la journée. Certains services publics offrent des programmes de réponse à la demande pour réduire la consommation d'énergie à certaines heures de la journée. Certains services peuvent faire les deux choses. Ce réfrigérateur est doté d'une fonction réponse à la demande qui permet de contrôler la consommation d'énergie.

## Utilisation de la réponse à la demande sans programme d'un service public

La fonction de réponse à la demande permet à l'utilisateur de modifier les fonctions à haute énergie, comme le dégivrage, pour une fenêtre de 4 heures. Cette fenêtre correspond à la consommation énergétique maximale moyenne. Cette fonction est activée ou désactivée avec SmartHQ™ et nécessite son fonctionnement. Cela ne dépend pas du service public local, ou s'il fait varier les tarifs d'électricité.

## Réponse à la demande avec votre service public

Si votre service public dispose d'un programme de réponse à la demande compatible et que vous êtes inscrit auprès de ce service, ce réfrigérateur peut modifier sa consommation d'énergie en fonction des commandes reçues du service public. L'application SmartHQ™ peut être utilisée pour neutraliser le programme de réponse à la demande, si vous le souhaitez. Veuillez noter qu'il existe de nombreux programmes de réponse à la demande différents, et beaucoup ne sont pas compatibles avec les électroménagers de cuisine. Veuillez vérifier auprès de votre service public local

Le niveau de réponse à la demande est affiché dans l'application mobile. Le mode de charge différé de l'électroménager (angl. DAL) réduit la consommation d'énergie en retardant le dégivrage et la production de glace de 4 heures. La réduction temporaire de la charge de l'électroménager (angl. TALR) réduit la consommation d'énergie en retardant le dégivrage, la production de glace et le refroidissement pendant 10 minutes.

La consommation d'énergie estimée en watt-heure (Wh) est rapportée dans l'application mobile.

## Installation de la réponse à la demande

Installez SmartHQ™ conformément aux instructions de la page précédente. Sélectionnez la page de la réponse à la demande et choisissez parmi les options disponibles. L'application fournit plus d'informations sur le fonctionnement de chaque option de la réponse à la demande.

## Protocoles de communication de la réponse à la demande

Ce réfrigérateur utilise les protocoles standard ouverts IETF suivants pour la communication Wi-Fi. Consultez le manuel d'utilisation en ligne pour obtenir les dernières mises à jour du protocole :

- <https://mqtt.org/mqtt-specification/>
- <http://docs.oasis-open.org/mqtt/mqtt/v3.1.1/os/mqtt-v3.1.1-os.html>

API GE Appliances pour la réponse à la demande :

- Écrire l'état de la réponse à la demande (Inactif, DAL et TALR).
- Obtenir l'état de la réponse à la demande (Inactif, DAL, TALR ou Dégivrage différé).
- Obtenir la consommation d'énergie estimée en watt-heure.
- Obtenir l'événement pour « porte ouverte ».
- Obtenir un événement pour « alerte de température élevée ».
- Écrire l'heure de début et la durée de la réponse à la demande (DAL ou TALR).
- Obtenir l'heure de début et la durée de la réponse à la demande (DAL ou TALR).
- Supprimer le calendrier de la réponse à la demande (DAL ou TALR).

Certains modèles utilisent l'identification par radiofréquence (IRF) pour détecter les fuites et contrôler l'état du filtre. La technologie IRF est homologuée par la FCC.

# Cartouche de filtre à eau - XWFE (certains modèles)

## Cartouche de filtre à eau

La cartouche filtrante se trouve dans le compartiment réfrigérateur, en bas derrière le panneau d'accès rectangulaire.

## Quand remplacer la cartouche de filtre à eau

Le message **Replace Filter** (remplacer le filtre) sur le panneau de commande va s'allumer lorsque la cartouche de filtre à eau devra être remplacée bientôt. Le message **Filter Expired** (filtre périmé) sur le panneau de commande va s'allumer lorsque la cartouche de filtre à eau doit être remplacée à brève échéance. La cartouche de filtre à eau peut être remplacée plus tôt si le débit d'eau du distributeur ou de la machine à glaçons diminue.

## Remplacement du filtre

Scanner le code QR pour commander un filtre

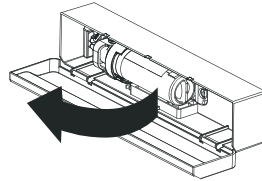


Regardez cette vidéo avant de retirer le filtre à eau



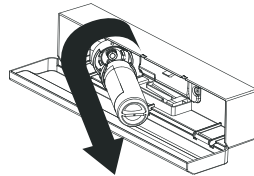
1. Ouvrir le boîtier du filtre : Repérez le panneau d'accès dans la partie inférieure du compartiment des aliments frais, sous les tiroirs. Abaissez la porte pour accéder au filtre.

2. Incliner le filtre vers l'extérieur : Saisissez doucement le filtre et tirez-le lentement à l'horizontale.

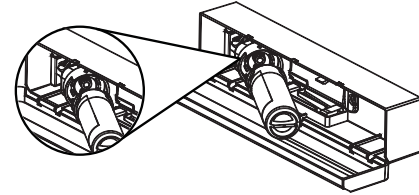


**ATTENTION** Si de l'air est emprisonné dans le système, la cartouche de filtre peut être éjectée lors de son retrait. Usez de prudence en la retirant.

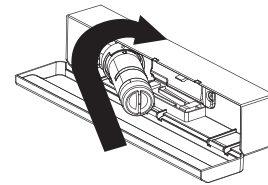
3. Tourner pour libérer et retirer : Tournez lentement le filtre dans le sens inverse des aiguilles d'une montre (gauche) d'environ 1/4 de tour jusqu'à ce qu'il se libère automatiquement. Une petite quantité d'eau peut dégoutter.



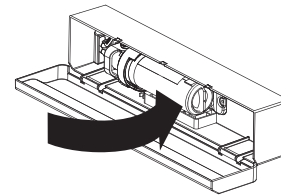
4. Installer le nouveau filtre : Aligned les deux orifices à l'intérieur du nouveau filtre avec les orifices correspondants à l'intérieur du collecteur et insérez doucement le filtre.



5. Fixer le filtre : Tournez le filtre dans le sens des aiguilles d'une montre (droite) de 1/4 de tour jusqu'à ce qu'il s'arrête. **NE PAS SERRER EXCESSIVEMENT.** Le filtre s'ajuste en position.



6. Repositionner le filtre : Inclinez le filtre dans sa position horizontale d'origine.



7. Fermer le boîtier : Poussez la porte pour la fermer jusqu'à ce que les languettes s'enclenchent.

8. Rincer le système : Versez 7,5 litres (2 gallons US) d'eau dans le distributeur (environ 5 minutes) pour nettoyer le système. De l'eau peut jaillir et des bulles d'air peuvent être visibles. Si l'eau ne coule pas, vérifiez l'installation du filtre.

Enregistrez-vous pour recevoir des **RAPPELS TEXTUELS** en textant **REPLACE** au **70543**.

## Directives d'application / Approvisionnement en eau

Débit de service	1,89 Lpm (0,5 gpm)
Alimentation d'eau	Eau potable
Pression d'eau	40-120 psi (275-827 kPa)
Température de l'eau	0,6 °C-38 °C (33 °F-100 °F)
Capacité	643,5 litres (170 gallons)

## Bouchon de dérivation du filtre

Pour éviter les fuites d'eau et réduire le risque de dommages matériels, utilisez le bouchon de dérivation du filtre si une cartouche filtrante de rechange n'est pas disponible. Certains modèles ne sont pas dotés d'un bouchon de dérivation du filtre. Pour obtenir un bouchon de dérivation gratuit, appelez le 800.561.3344

et demandez la pièce WR17X33825. Le distributeur et la machine à glaçons ne fonctionneront pas sans que ne soient installés le filtre ou le bouchon de dérivation. Installez le bouchon de dérivation de la même manière qu'une cartouche filtrante.

# Machine à glaçons automatique

Un réfrigérateur nouvellement installé peut prendre de 12 à 24 heures pour commencer à faire de la glace.

**⚠ AVERTISSEMENT** Raccordez l'appareil à une alimentation d'eau potable seulement.

Une alimentation en eau froide avec une pression d'eau comprise entre 275 et 827 kilopascals (40 et 120 psis) est nécessaire pour faire fonctionner le distributeur d'eau et la machine à glaçons.

## Machine à glaçons automatique

La machine à glaçons produira 10 cubes par cycle, environ 120-160 cubes en 24 heures, selon la température du compartiment congélateur, la température ambiante, le nombre d'ouvertures de porte et d'autres conditions d'utilisation.

La machine à glaçons se remplit d'eau lorsqu'elle refroidit à -10 °C (15 °F). Un réfrigérateur nouvellement installé peut prendre de 12 à 24 heures pour commencer à fabriquer des glaçons.

Si le réfrigérateur est utilisé avant que la conduite d'eau ne soit raccordée à l'appareil ou si l'alimentation en eau d'un réfrigérateur en fonctionnement est coupée, assurez-vous que la machine à glaçons est éteinte. Une fois que l'eau a été raccordée au réfrigérateur, la machine à glaçons peut être allumée.

Pour allumer ou éteindre la machine à glaçons, appuyez sur le bouton **Ice Maker** du panneau de commande.

Vous pouvez entendre un bourdonnement à chaque fois que la machine à glaçons se remplit d'eau.

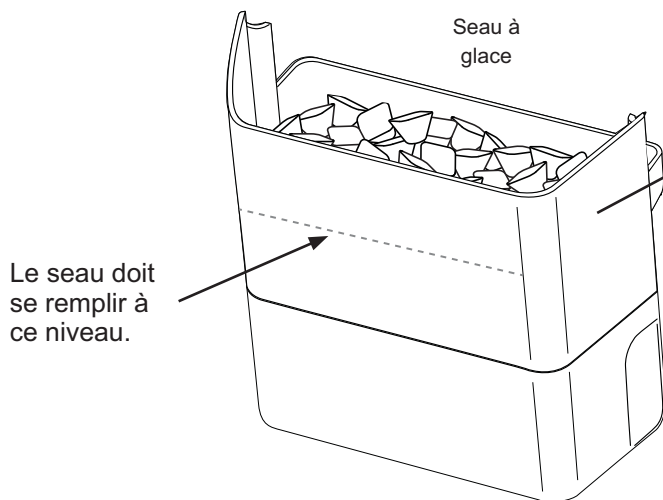
Attendez 2-3 jours pour que le seau se remplisse complètement de glace. Jetez les premiers lots de glace pour permettre le nettoyage de la conduite d'eau.

L'aspect, le goût et la taille des vieux glaçons seront altérés si ceux-ci ne sont pas consommés fréquemment.

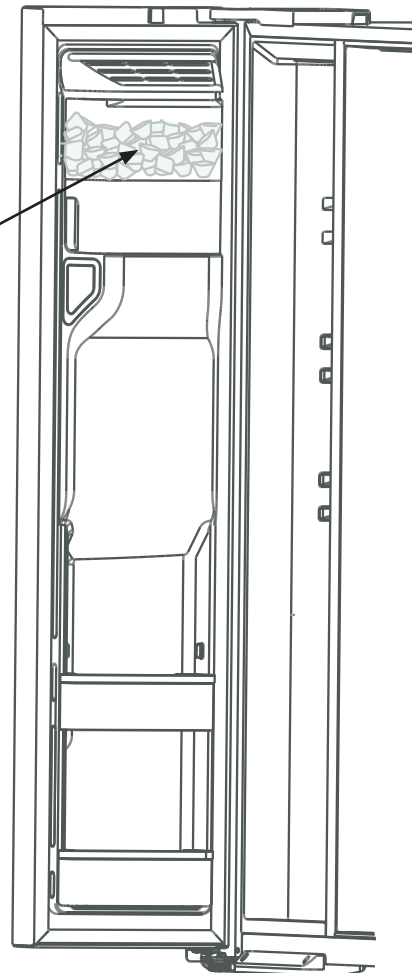
**REMARQUE :** Dans les maisons où la pression de l'eau est inférieure à la moyenne, vous pouvez entendre le cycle de la machine à glaçons plusieurs fois lorsque vous faites un lot de glace.

**⚠ ATTENTION** Évitez tout contact avec les pièces mobiles.

Ne placez pas les doigts ou les mains sur le mécanisme de production de glace automatique lorsque le réfrigérateur est branché à la prise électrique.



Un seau à glace plein peut ne pas sembler rempli jusqu'au sommet. Ceci est normal et facilite la manipulation.



# Entretien et nettoyage

## Nettoyage de l'extérieur

**⚠ N'utilisez PAS de nettoyeurs pour acier inoxydable sur les surfaces de la porte. ⚠**

**IMPORTANT :** L'utilisation de produits incorrects peut endommager la finition extérieure des modèles en acier inoxydable résistant aux empreintes digitales. Veuillez suivre ces instructions et utiliser uniquement les articles appropriés ci-dessous pour nettoyer les surfaces de votre électroménager.

- Nettoyez les surfaces intérieures et extérieures avec de l'eau chaude, un savon ou détergent doux et un chiffon doux ou en microfibre pour éviter de les endommager.
- Essuyez la surface de l'appareil avec un chiffon doux et propre ou une serviette en microfibre pour éviter les traînées ou les taches d'eau.

UTILISER	NE PAS UTILISER
Chiffon doux et propre ou éponge Linge en microfibre	Chiffons abrasifs, essuie-tout, éponges à récurer (avec ou sans savon), tampons à récurer ou tampons en laine d'acier
Détergent doux mélangé à de l'eau chaude	Poudres, liquides ou vaporisateurs abrasifs Vaporisateurs pour vitres, ammoniac ou eau de Javel Nettoyants à base d'agrumes ou d'huile végétale Nettoyants acides ou à base de vinaigre Nettoyants pour fours Nettoyants alcalins Nettoyants pour acier inoxydable

## Nettoyage de l'intérieur

**Pour éviter les odeurs**, laissez une boîte ouverte de bicarbonate de soude dans les compartiments du réfrigérateur et du congélateur.

### Débranchez le réfrigérateur avant de le nettoyer.

Si cela n'est pas pratique, essorez le surplus d'eau de l'éponge ou du linge lors du nettoyage autour des interrupteurs, des lampes ou des commandes.

Utilisez de l'eau tiède et une solution de bicarbonate de soude, soit environ 15 ml (une cuillère à soupe) de bicarbonate de soude pour un litre (1 pinte) d'eau. Cette solution nettoie et neutralise les odeurs. Rincez et essuyez.

### ⚠ ATTENTION

Ne nettoyez pas les tablettes ou couvercles en verre avec de l'eau chaude lorsqu'ils sont froids. Les tablettes et couvercles en verre peuvent se briser s'ils sont exposés à une variation de température soudaine, ou soumis à un impact s'ils sont heurtés ou échappés. S'il se brise, le verre trempé est conçu pour se fracturer en un grand nombre de petits éclats.

Ne lavez aucune pièce en plastique du réfrigérateur au lave-vaisselle.

# Entretien et nettoyage

## DERRIÈRE LE RÉFRIGÉRATEUR

Soyez prudent lorsque vous éloignez le réfrigérateur du mur. Tous les types de revêtements de sol peuvent être endommagés, en particulier les revêtements rembourrés et ceux avec des surfaces gaufrées.

Levez les pieds de mise à niveau situés en bas à l'avant du réfrigérateur.

Tirez le réfrigérateur vers l'extérieur et remettez-le en place en le poussant. Le déplacement latéral du réfrigérateur peut endommager le revêtement de sol ou le réfrigérateur.

Baissez les pieds de mise à niveau jusqu'à ce que la carrosserie soit mise à niveau. Reportez-vous à l'étape 4 des instructions d'installation.

**⚠ AVERTISSEMENT** **RISQUE D'ÉLECTROCUTION**

Lorsque vous poussez le réfrigérateur vers l'arrière, assurez-vous de ne pas rouler sur le cordon d'alimentation ou la conduite d'alimentation en eau.

Pour de longues vacances ou absences, retirez les aliments et débranchez le réfrigérateur.

Nettoyez l'intérieur avec une solution de bicarbonate de soude composée d'une cuillère à soupe (15 ml) de bicarbonate de soude pour un litre (1 pinte) d'eau.

Laissez les portes ouvertes.

Si la température peut descendre en dessous du point de congélation, demandez à un technicien qualifié de vidanger le système d'alimentation en eau pour éviter de graves dommages matériels dus à une inondation.

1. Éteignez le réfrigérateur (voir COMMANDES, page 8) ou débranchez-le.
2. Videz le seau à glace.
3. Coupez l'arrivée d'eau.

**Si vous coupez l'arrivée d'eau, éteignez la machine à glaçons.**

Au retour de vacances :

1. Remplacez le filtre à eau.
2. Pour la première fois, faites couler 7,5 litres (2 gallons US) d'eau dans le distributeur (environ 5 minutes) pour purger le système. De l'eau peut jaillir et des bulles d'air peuvent être visibles. Si l'eau ne coule pas, vérifiez l'installation du filtre. Suivez la même procédure lors du remplacement du filtre à eau.

## PRÉPARATION AU DÉPLACEMENT

Fixez solidement tous les articles mobiles, comme les tablettes et les tiroirs, en les fixant solidement en place pour éviter de les endommager.

Lorsque vous utilisez un chariot de manutention pour déplacer le réfrigérateur, ne posez pas l'avant ou l'arrière du réfrigérateur contre le chariot de manutention. Cela pourrait endommager le réfrigérateur.

Manipulez uniquement par les côtés du réfrigérateur.

Assurez-vous que le réfrigérateur reste en position verticale pendant le déplacement.

## LUMIÈRES DEL DU RÉFRIGÉRATEUR

L'aspect peut varier selon le modèle.

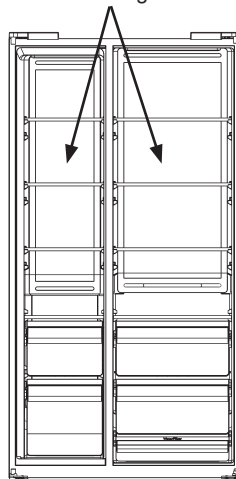
Une lumière DEL se trouve sur la partie supérieure avant des compartiments congélateur et réfrigérateur.

Certains modèles ont un mur d'éclairage DEL à l'arrière des compartiments.

Un technicien agréé devra remplacer les lumières DEL.

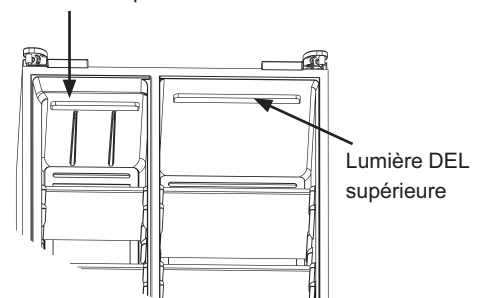
Si cet ensemble doit être remplacé, visitez le site [GEAppliances.ca/service](http://GEAppliances.ca/service) ou composez le 800.561.3344

Mur d'éclairage LED



(certains modèles)

Lumière DEL supérieure



Tous les modèles

# Instructions d'installation

## Modèles de réfrigérateurs GSS/GSE

Des questions? Composez le 800.561.3344 ou visitez notre site Web à l'adresse suivante : [GEAppliances.ca](http://GEAppliances.ca)

### AVANT DE COMMENCER

**Veillez lire toutes ces instructions attentivement.**

- **IMPORTANT** — Conservez ces instructions à l'usage de l'inspecteur local.
- **IMPORTANT** — Observez tous les codes et règlements en vigueur.
- **Note à l'installateur** – Assurez-vous de laisser ces instructions au consommateur.
- **Note au consommateur** – Conservez ces instructions pour référence ultérieure.
- **Niveau de compétence** – L'installation de cet appareil exige des compétences de base en mécanique.
- **Temps d'exécution** – Installation du réfrigérateur : 30 minutes; installation de la conduite d'eau : 30 minutes.
- L'exactitude de l'installation est la responsabilité de l'installateur.
- La garantie ne couvre pas les défauts du produit causés par une installation inadéquate.

Si le réfrigérateur a déjà été installé, retirez la grille de base (voir l'étape 2 de la section Déplacement du réfrigérateur), puis passez à l'étape 5 de la section Installation du réfrigérateur.

### PRÉPARATION

#### DÉPLACEMENT DU RÉFRIGÉRATEUR À L'INTÉRIEUR

Si le réfrigérateur ne peut passer par une porte, les portes du réfrigérateur peuvent être retirées.

- Pour retirer les portes du réfrigérateur, voyez la section Installation du réfrigérateur.

#### ALIMENTATION EN EAU DE LA MACHINE À GLAÇONS ET DU DISTRIBUTEUR

Si le réfrigérateur est équipé d'une machine à glaçons, elle devra être raccordée à une conduite d'eau froide. Une trousse d'alimentation en eau GE Appliances (contenant les tuyaux, le robinet d'arrêt, les raccords et les instructions) est disponible moyennant des frais supplémentaires auprès de votre concessionnaire, en visitant notre site Web à l'adresse [GEAppliances.ca](http://GEAppliances.ca) ou auprès du Service pièces et accessoires au 800.661.1616.

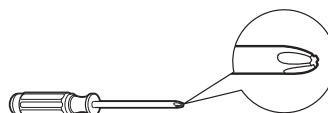
### OUTILS DONT VOUS POURRIEZ AVOIR BESOIN



Clé réglable



Clé hexagonale  
1/8 po ou tournevis  
hexagonal



Tournevis cruciforme



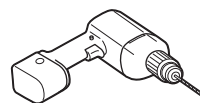
Tournevis cruciforme



Niveau



Crayon



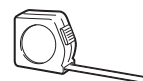
Foret 1/8 po et per-  
ceuse électrique ou  
manuelle



Tournevis à  
écrou 1/4 po



Tournevis à  
écrou 5/16 po



Ruban à  
mesurer



Pince



Tournevis à tête plate

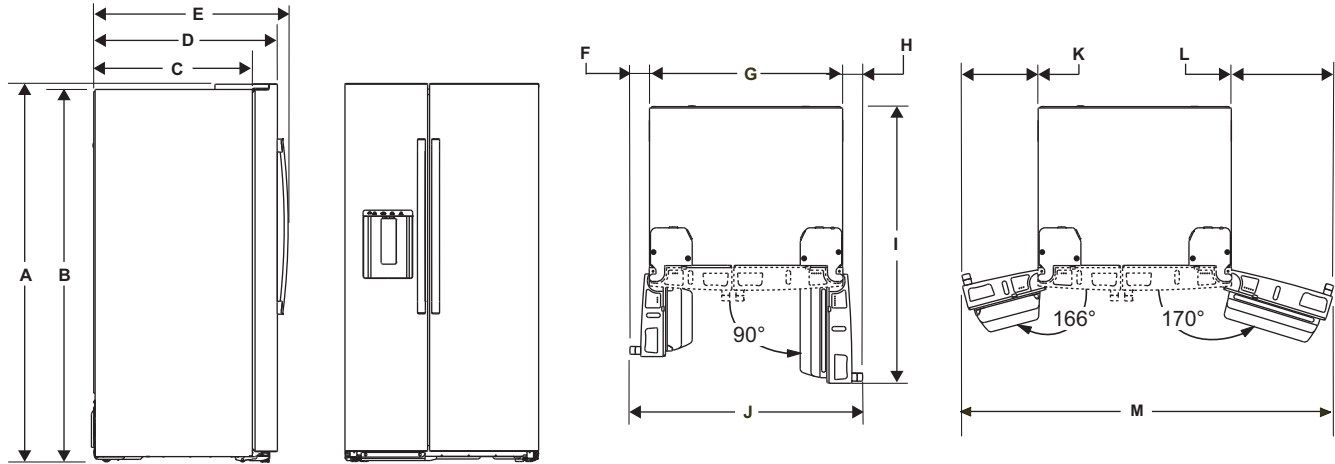
# Instructions d'installation

## DIMENSIONS

**REMARQUE :** Il est recommandé de protéger le sol avec un revêtement en plastique tout au long du processus d'installation.

**REMARQUE :** Non recommandé pour une installation sur moquette.

### Modèles à poignée GE Appliances



Dimension	Prof. std 33 po		Prof. std 36 po		Prof. comptoir 36 po	
	Pouces	mm	Pouces	mm	Pouces	mm
(A) Hauteur jusqu'au-dessus de la charnière avec pieds rétractés	69 15/16	1776	69 15/16	1776	69 15/16	1776
(B) Hauteur jusqu'au-dessus de la carrosserie avec les pieds rétractés	68 15/16	1751	68 15/16	1751	68 15/16	1751
(C) Profondeur de la carrosserie, sans portes	29 7/16	748	29 7/16	748	25 1/16	637
(D) Profondeur de la carrosserie, avec portes, sans poignées de porte	34	864	34	864	29 5/8	752
(E) Profondeur de la carrosserie, avec portes et poignées	36	914	36	914	31 5/8	803
(F) Dégagement entre le côté de la carrosserie et le mur adjacent avec porte FZ ouverte à 90°	3 11/16	94	3 11/16	94	3 11/16	94
(G) Largeur de la carrosserie	32 3/4	832	35 3/4	908	35 3/4	908
(H) Dégagement entre le côté de la carrosserie et le mur adjacent avec la porte FF ouverte à 90°	3 3/4	95	3 3/4	95	3 3/4	95
(I) Profondeur totale avec porte FF ouverte à 90°	48 1/4	1226	51 1/4	1302	46 7/8	1191
(J) Largeur avec portes et poignées, portes ouvertes à 90°	40 1/8	1019	43 1/8	1095	43 1/8	1095
(K) Dégagement entre le côté de la carrosserie et le mur adjacent avec la porte FZ complètement ouverte	14 1/8	359	14 1/8	359	14 1/8	359
(L) Dégagement entre le côté de la carrosserie et le mur adjacent avec la porte FF complètement ouverte	16	406	19	483	19	483
(M) Largeur avec portes et poignées, portes complètement ouvertes	62 13/16	1595	68 13/16	1748	68 13/16	1748

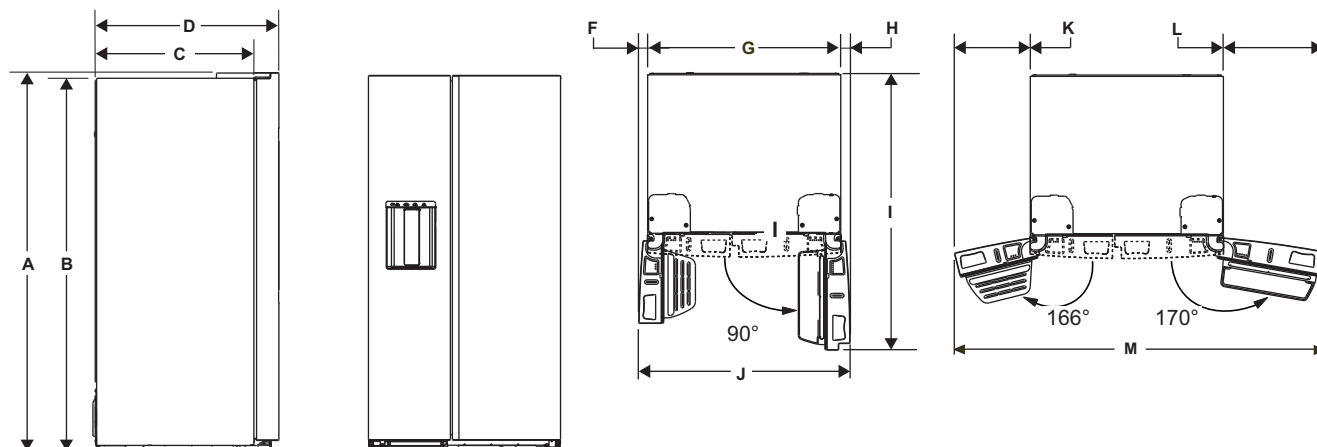
# Instructions d'installation

## DIMENSIONS

**REMARQUE :** Il est recommandé de protéger le sol avec un revêtement en plastique tout au long du processus d'installation.

**REMARQUE :** Non recommandé pour une installation sur moquette.

### Modèles à poignée intégrée Profile / GE



Dimension	Prof. std 36 po		Prof. comptoir 36 po	
	Pouces	mm	Pouces	mm
(A) Hauteur jusqu'au-dessus de la charnière avec pieds rétractés	69 15/16	1776	69 15/16	1776
(B) Hauteur jusqu'au-dessus de la carrosserie avec les pieds rétractés	68 15/16	1751	68 15/16	1751
(C) Profondeur de la carrosserie, sans portes	29 7/16	748	25 1/16	637
(D) Profondeur de la carrosserie, avec portes et poignées intégrées	34	864	29 5/8	752
(F) Dégagement entre le côté de la carrosserie et le mur adjacent avec porte FZ ouverte à 90°	1 11/16	42	1 11/16	42
(G) Largeur de la carrosserie	35 3/4	908	35 3/4	908
(H) Dégagement entre le côté de la carrosserie et le mur adjacent avec la porte FF ouverte à 90°	1 3/4	44	1 3/4	44
(I) Profondeur totale avec porte FF ouverte à 90°	51 1/4	1302	46 7/8	1191
(J) Largeur avec portes, portes ouvertes 90°	39 1/8	994	39 1/8	994
(K) Dégagement entre le côté de la carrosserie et le mur adjacent avec la porte FZ complètement ouverte	13 7/8	353	13 7/8	353
(L) Dégagement entre le côté de la carrosserie et le mur adjacent avec la porte FF complètement ouverte	18 11/16	474	18 11/16	474
(M) Largeur avec portes, portes complètement ouvertes	68 7/16	1738	68 7/16	1738

## DÉPLACEMENT DU RÉFRIGÉRATEUR

- À l'aide du tableau des pages 19-20 et 41, déterminez si la largeur de votre passage peut correspondre à la profondeur du réfrigérateur. Assurez-vous de disposer d'un espace libre pour éviter d'endommager le réfrigérateur avant de le déplacer en toute sécurité à son emplacement final.
- Si les passages sont assez grands pour accueillir le réfrigérateur sans retirer les portes, ignorez les étapes 2 à 8. Laissez le ruban adhésif, le film protecteur et tout l'emballage sur les portes jusqu'à ce que le réfrigérateur soit à l'emplacement final.
- **REMARQUE** : Utilisez un chariot à main rembourré ou des sangles mobiles pour déplacer ce réfrigérateur. Placez le réfrigérateur sur le chariot à main avec un côté contre le chariot. Nous recommandons fortement que deux personnes déplacent le réfrigérateur et terminent cette installation.

## EMPLACEMENT DU RÉFRIGÉRATEUR

- Pour réduire le risque de fuite d'eau, il est nécessaire que l'alimentation en eau soit débranchée dans des conditions ambiantes basses inférieures à 12,2 °C (54 °F). Le non-respect de cette consigne peut endommager le produit.
- Certains modèles sont équipés d'un dispositif PRÊT POUR LE GARAGE et peuvent être utilisés dans des endroits où la température ambiante est comprise entre 3,3°C et 43,3°C (38°F et 110°F). Les commandes électroniques s'adaptent automatiquement à cette plage de conditions ambiantes afin de maintenir la température à l'intérieur du réfrigérateur.
- N'installez pas le réfrigérateur dans un endroit exposé à l'eau (pluie, etc.) ou à la lumière directe du soleil.
- Installez-le sur un sol suffisamment solide pour le soutenir complètement chargé.

## DÉGAGEMENTS

Prévoyez les dégagements suivants pour la tuyauterie et les connexions électriques, faciliter l'installation et assurer une circulation d'air correcte.

Côtés	3 mm (1/8 po)
Dessus	25 mm (1 po)
Arrière	50 mm (2 po)

## RETRAIT DES PORTES DU RÉFRIGÉRATEUR

- **REMARQUE IMPORTANTE** : Utilisez les tableaux des pages précédentes pour déterminer si la largeur de votre passage peut inclure la profondeur du réfrigérateur lors de son transport à l'emplacement d'installation. Si les passages sont inférieurs à la profondeur de votre réfrigérateur, les portes peuvent être rayées ou endommagées. Si les passages sont inférieurs à la profondeur du réfrigérateur, passez à l'étape 2 pour retirer les portes.
- S'il n'est pas nécessaire de retirer les portes, transportez le réfrigérateur à l'emplacement d'installation, étape 1. Laissez le ruban adhésif et l'emballage sur les portes jusqu'à ce que le réfrigérateur soit à l'emplacement final.
- **REMARQUE** : Utilisez un chariot à main rembourré pour déplacer le réfrigérateur. Placez le réfrigérateur sur le chariot à main avec un côté contre le chariot. Nous recommandons fortement que DEUX PERSONNES se déplacent et terminent cette installation.

# Instructions d'installation

## DÉPLACEMENT DU RÉFRIGÉRATEUR

**⚠ ATTENTION** Risque lié à la manipulation d'un objet lourd.

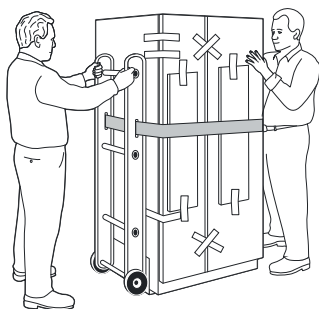
Le levage par une seule personne peut provoquer des blessures. Demandez de l'aide pour manipuler, déplacer ou soulever les portes du réfrigérateur.

**REMARQUE :** Lors du déplacement de la porte, pour éviter d'endommager la porte et les composants électroniques, placez soigneusement la porte à l'emplacement approprié.

**⚠ AVERTISSEMENT** Pour réduire le risque de choc électrique ou de blessure pendant l'installation, vous devez d'abord débrancher le réfrigérateur avant de continuer. Le non-respect de cette consigne peut entraîner l'électrocution.

### 1 CHARGEMENT DU RÉFRIGÉRATEUR SUR UN CHARIOT MANUEL

Utilisez un chariot à main rembourré, en GARDANT LE RUBAN ADHÉSIF ET LES COUSSINETS DE PORTE jusqu'à ce que le réfrigérateur soit à son emplacement final.

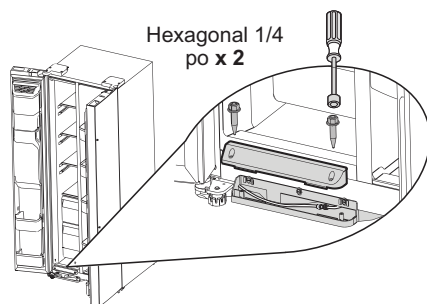


Déplacez-vous dans le sens du côté du réfrigérateur uniquement, centré sur le chariot à main, et évitez de trop serrer la sangle.

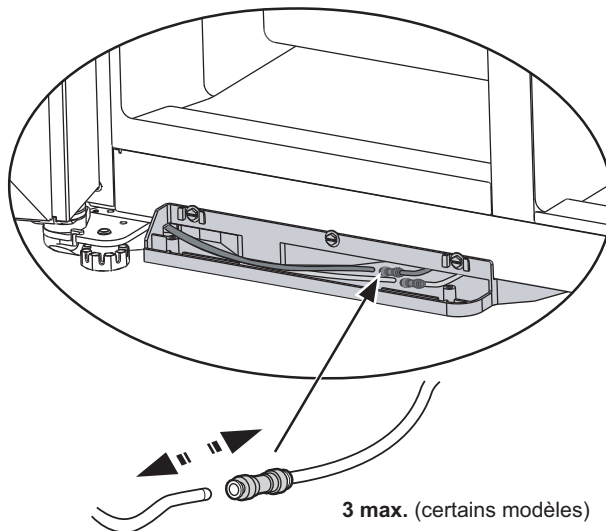
### 2 RETRAIT DES PORTES

SEULEMENT SI NÉCESSAIRE, retirez les portes pour transporter le réfrigérateur à l'emplacement final.

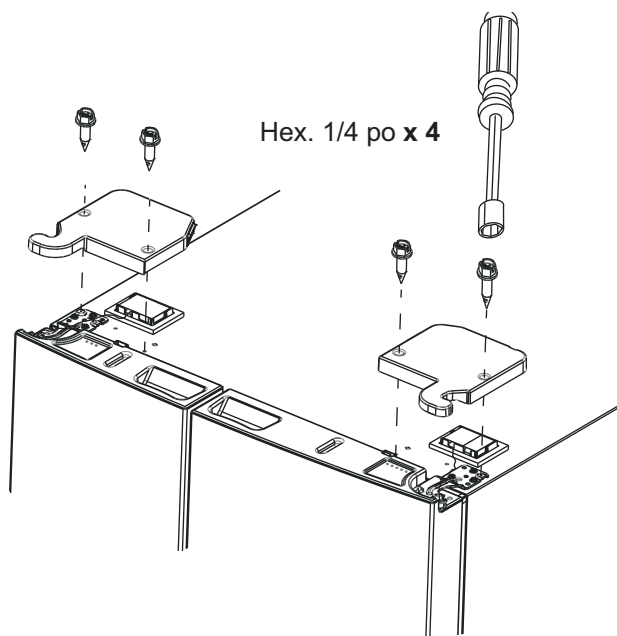
Retirez les vis et le couvercle supérieur du boîtier d'accouplement.



### 3 DÉBRANCHER LE RACCORD D'EAU



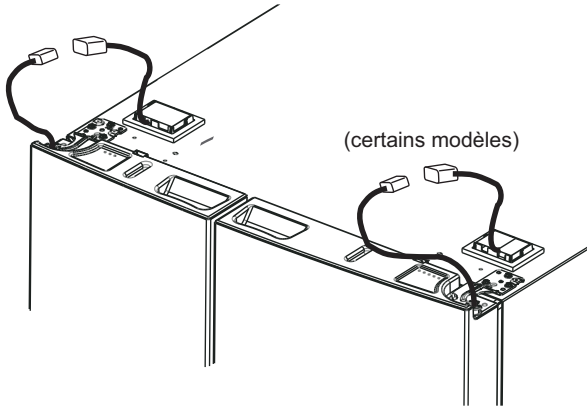
### 4 RETIRER LES VIS ET LES COUVERCLES DE CHARNIÈRE



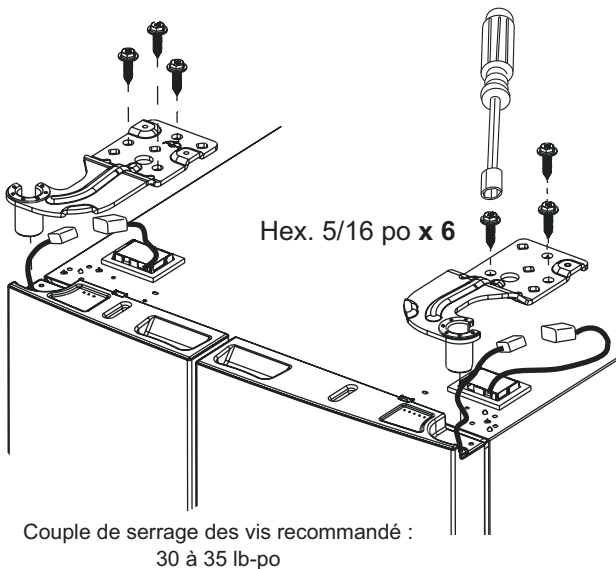
# Instructions d'installation

## DÉPLACEMENT DU RÉFRIGÉRATEUR (Suite)

### 5 DÉBRANCHER LES CONNECTEURS DE CÂBLAGE



### 6 RETIRER LES VIS ET LES CHARNIÈRES SUPÉRIEURES



### 7 RETIRER LES PORTES DU RÉFRIGÉRATEUR

- Soulevez la porte du réfrigérateur et dégagez-la des charnières inférieures.
- Mettez soigneusement la porte de côté.

### 8 REPLACER LA PORTE

#### ⚠ AVERTISSEMENT

Suivez toutes les étapes de retrait et de réinstallation des portes. Le non-respect de ces instructions, le fait de laisser des pièces ou de serrer excessivement les vis peuvent entraîner la chute des portes et causer des blessures et des dommages à la propriété.

Pour réinstaller les portes, inversez simplement les étapes 2 à 7.

Cependant, veuillez noter ce qui suit :

- Lorsque vous abaissez la porte sur les charnières inférieures, assurez-vous que la seconde personne guide soigneusement les conduites d'eau à travers la charnière inférieure gauche pour éviter les pliures ou les dommages.
- Lorsque vous connectez la ligne d'eau, assurez-vous que vous faites correspondre les couleurs de la ligne d'eau correctement pendant la reconnexion.
- Ne pincez pas le tuyau lorsque vous placez les portes sur les charnières inférieures.
- Acheminez les connecteurs électriques à travers les charnières supérieures sans pincer.
- Lors du rebranchement des connecteurs du faisceau de fils, assurez-vous que les connecteurs sont bien emboîtés.
- Assurez-vous que toutes les vis de charnière sont correctement serrées.

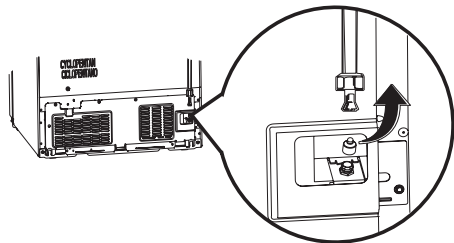


1. Acheminez le faisceau de fils à travers la fente de la charnière supérieure.
2. Poussez le faisceau dans les pinces du couvercle de charnière.
3. Placez les connecteurs dans la boîte en plastique blanche sur le dessus de l'appareil.

# Instructions d'installation

## INSTALLATION DU RÉFRIGÉRATEUR

### 1 RACCORDER L'ALIMENTATION EN EAU DE LA MAISON



Une alimentation en eau froide est nécessaire pour le fonctionnement automatique de la machine à glaçons. S'il n'y a pas d'alimentation en eau froide, vous devrez en fournir une. Voyez la section Installation de la conduite d'eau.

#### REMARQUES :

- Avant de raccorder la conduite au réfrigérateur, assurez-vous que le cordon d'alimentation électrique n'est pas branché à la prise murale.
- Si votre réfrigérateur n'a pas de filtre à eau, nous vous recommandons d'en installer un si votre alimentation en eau contient du sable ou des particules qui pourraient obstruer le tamis du robinet d'eau du réfrigérateur. Installez-le sur la conduite d'eau près du réfrigérateur. Si vous utilisez la trousse de tuyau pour réfrigérateur SmartConnect™, vous aurez besoin d'un tuyau supplémentaire (WX08X10002) pour connecter le filtre. Ne coupez pas le tuyau en plastique pour installer le filtre.
- Avant de raccorder la conduite d'eau à la maison, purgez la conduite de la maison pendant au moins 2 minutes.
  1. Si vous utilisez des tuyaux en cuivre, placez un écrou de compression et une bague (manchon) à l'extrémité du tuyau qui vient de l'alimentation d'eau froide de la maison. Si vous utilisez le tuyau SmartConnect™, les écrous sont déjà assemblés au tuyau.
  2. Si vous utilisez un tuyau en cuivre, insérez l'extrémité du tuyau dans le raccord du réfrigérateur, à l'arrière du réfrigérateur, aussi loin que possible. Tout en tenant le tuyau, serrez le raccord. Si vous utilisez un tuyau SmartConnect™, insérez l'extrémité moulée du tuyau dans le raccord du réfrigérateur, à l'arrière du réfrigérateur, et serrez l'écrou de compression jusqu'à ce qu'il soit serré à la main. Serrez ensuite d'un autre tour à l'aide d'une clé. Un serrage excessif peut provoquer des fuites.

#### **⚠ AVERTISSEMENT RACCORDER À L'ALIMENTATION EN EAU POTABLE UNIQUEMENT.**

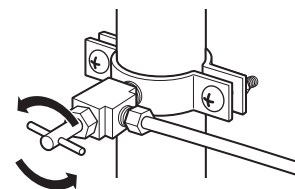
Une alimentation en eau froide avec une pression d'eau comprise entre 172 et 827 kilopascals (40 et 120 psis) est nécessaire pour faire fonctionner le distributeur d'eau et la machine à glaçons.

Scannez le code QR pour la vidéo avant de raccorder la ligne d'eau.



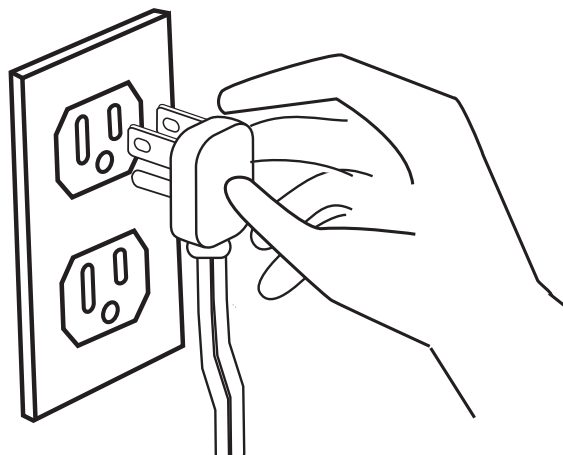
### 2 OUVRIR L'ALIMENTATION D'EAU

Ouvrez l'alimentation d'eau au niveau du robinet d'arrêt (l'alimentation d'eau de la maison) et vérifiez la présence de fuites



### 3 BRANCHER LE RÉFRIGÉRATEUR

Arrangez la spirale du tuyau de sorte qu'elle ne vibre pas contre l'arrière du réfrigérateur ou contre le mur. Poussez le réfrigérateur contre le mur.

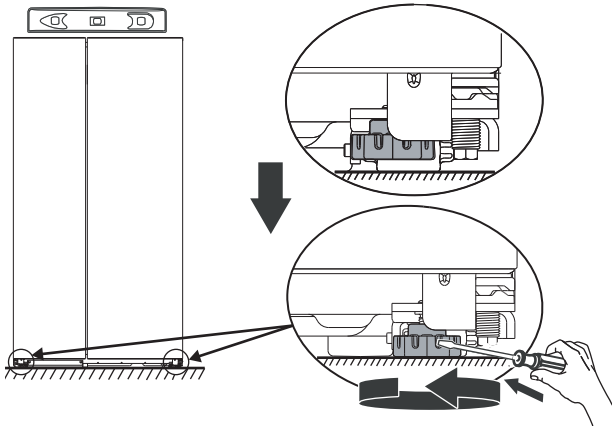


La longueur totale du cordon électrique est de 177,8 cm (70 pouces).

## INSTALLATION DU RÉFRIGÉRATEUR (Suite)

### 4 METTRE LE RÉFRIGÉRATEUR À NIVEAU

Le réfrigérateur peut être mis à niveau en réglant les pieds de mise à niveau situés près des charnières inférieures.



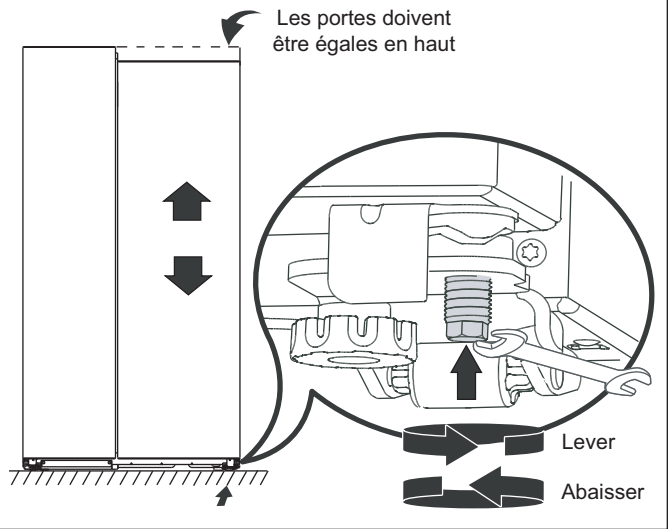
**Les pieds de mise à niveau ont deux fonctions :**

- Les pieds de mise à niveau s'ajustent de sorte que la porte se ferme facilement lorsqu'elle est ouverte à mi-chemin environ. (Soulevez l'avant à environ 16 mm [5/8 po] du sol).
- Les pieds de mise à niveau s'ajustent de sorte que le réfrigérateur repose fermement contre le sol et n'oscille pas.

### 5 ALIGNEMENT DE LA PORTE

1. Ajustez la porte du réfrigérateur pour que les portes soient au même niveau.
2. **Pour aligner :** À l'aide d'une clé de 7/16 po, tournez la vis de réglage de la porte vers la droite pour relever la porte, vers la gauche pour l'abaisser.

Après un ou deux tours de clé, ouvrez et fermez la porte du réfrigérateur et vérifiez l'alignement au sommet des portes.



Scannez le code QR pour la vidéo avant de mettre le réfrigérateur à niveau et d'aligner les portes.

# Instructions d'installation

## INSTALLATION DU RÉFRIGÉRATEUR (Suite)

### 6 INSTALLATION D'UNE POIGNÉE DE RÉFRIGÉRATEUR ET DE CONGÉLATEUR

#### ▲ AVERTISSEMENT



Suivez les instructions pour une installation correcte.

Une mauvaise installation de la poignée peut entraîner le détachement des poignées. Une poignée qui se détache en cours d'utilisation peut faire perdre l'équilibre à l'utilisateur et poser un risque de chute.

#### Avant de commencer...

- Pour éviter les blessures, portez des chaussures fermées lors de l'installation des poignées.
- Lors de l'installation de la poignée, saisissez-la fermement pour vous assurer qu'elle ne tombe pas ou ne raye pas le fini de l'appareil.
- **IMPORTANT** : Pour vous assurer que les poignées sont correctement installées, veuillez consulter les instructions et les illustrations avant de commencer l'installation.
- **IMPORTANT** : N'utilisez pas d'outils électriques pour serrer les vis de réglage.

#### Pièces incluses :

- Deux (2) poignées (vis de réglage préassemblées)
- Clé hexagonale 1/8 po

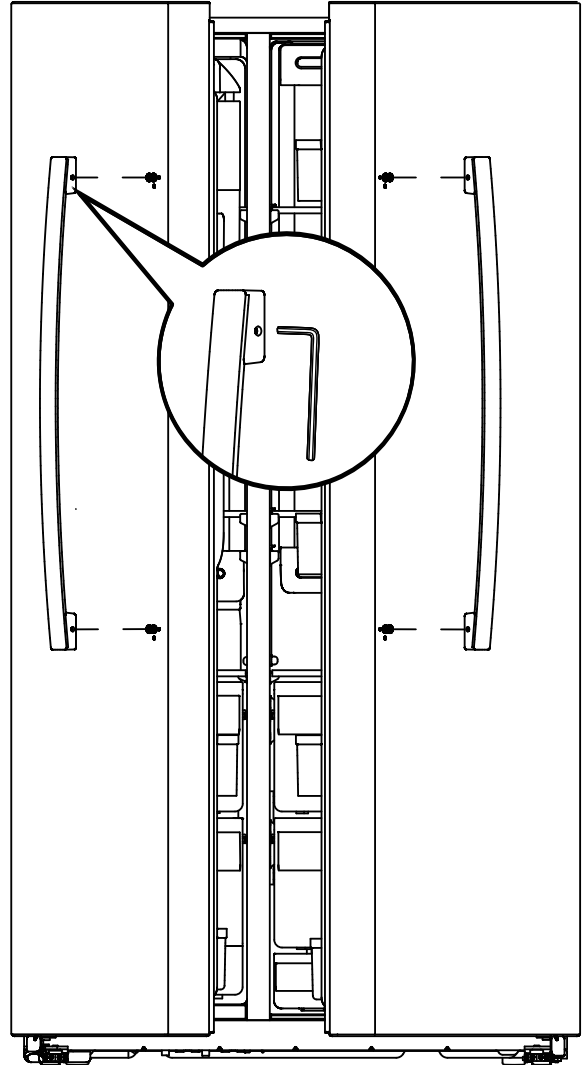
L'apparence de la poignée peut varier en fonction du modèle; cependant, le processus d'installation est le même.

1. Retirez tout film de protection des façades de porte avant d'installer les poignées.
2. Retirez la poignée de l'emballage et repérez la clé hexagonale 1/8 po fournie.
3. Placez la poignée sur les fixations de montage jusqu'à ce qu'elle affleure la surface de la porte.
4. Serrez les deux vis de réglage (préassemblées) dans les embouts de la poignée en tournant la clé hexagonale de 1/8 po dans le sens des aiguilles d'une montre jusqu'à ce que la poignée ne pende pas librement ou ne tombe pas de son support. Ne serrez pas complètement pour l'instant.

#### 5. IMPORTANT

Maintenez fermement la poignée contre la porte, assurez-vous qu'il n'y a pas d'espace entre les embouts de la poignée et la porte, puis serrez complètement les vis de réglage.

Pour retirer les poignées, inversez la procédure d'installation.



# Instructions d'installation

## INSTALLATION DE LA CONDUITE D'EAU

### AVANT DE COMMENCER

Les trousse d'alimentation en eau à tuyau en cuivre recommandées sont WX8X2, WX8X3 ou WX8X4, selon la longueur de tuyau dont vous avez besoin. Les trousse de tuyau de conduite d'eau universel pour réfrigérateur approuvées sont les suivantes : (WX08X10006, WX08X10015 et WX08X10025).

Lorsque vous raccordez votre réfrigérateur à un système d'eau à osmose inverse, la seule installation approuvée est une trousse RVKit de GE Appliances. Pour les autres systèmes d'eau par osmose inverse, suivez les recommandations du fabricant.

Si l'alimentation en eau du réfrigérateur provient d'un système de filtration d'eau à osmose inverse ET QUE le réfrigérateur est également équipé d'un filtre à eau, utilisez le bouchon de dérivation du filtre du réfrigérateur. Pour commander le bouchon de dérivation, voir la section Cartouche de filtre à eau. L'utilisation de la cartouche de filtration d'eau du réfrigérateur en conjonction avec le filtre RO peut produire des glaçons creux et un débit d'eau plus lent du distributeur d'eau.

Cette installation de conduite d'eau n'est pas garantie par le fabricant du réfrigérateur ou de la machine à glaçons. Suivez attentivement ces instructions afin de minimiser le risque de dégâts d'eau coûteux.

Un coup de bélier (coup d'eau dans les tuyaux) dans la plomberie de la maison peut endommager les pièces du réfrigérateur et entraîner des fuites d'eau ou des inondations. Appelez un plombier qualifié pour corriger le coup de bélier avant d'installer la conduite d'alimentation en eau du réfrigérateur.

Pour éviter les brûlures et les dommages au produit, ne raccordez pas la conduite d'eau à la conduite d'eau chaude.

Si le réfrigérateur est utilisé avant que la conduite d'eau ne soit raccordée ou si l'alimentation en eau d'un réfrigérateur en fonctionnement est coupée, assurez-vous que la machine à glaçons est éteinte. Une fois que l'eau a été raccordée au réfrigérateur, la machine à glaçons peut être allumée.

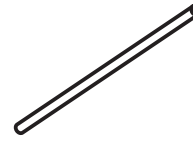
Pour allumer ou éteindre la machine à glaçons, appuyez sur le bouton Ice Maker du panneau de commande.

N'installez pas le tuyau de la machine à glaçons dans des zones où la température est inférieure au point de congélation.

Lorsque vous utilisez un appareil électrique (tel qu'une perceuse électrique) pendant l'installation, assurez-vous que l'appareil est doublement isolé ou mis à la terre de manière à éviter tout risque d'électrocution, ou qu'il est alimenté par batterie.

Toutes les installations doivent être conformes aux exigences du code de plomberie local.

### CE DONT VOUS AUREZ BESOIN



- Trousse de tuyau en cuivre ou de tuyau pour conduite d'eau universel (plastique), diamètre extérieur de 1/4 po pour raccorder le réfrigérateur à l'alimentation en eau. Si vous utilisez du cuivre, assurez-vous que les deux extrémités du tuyau sont coupées d'équerre.

Pour déterminer la longueur de tuyau dont vous avez besoin : mesurez la distance entre le robinet d'eau à l'arrière du réfrigérateur et le tuyau d'alimentation en eau. Assurez-vous qu'il y a suffisamment de longueur de tuyau supplémentaire pour permettre au réfrigérateur de sortir du mur après l'installation.

Les trousse de tuyau de conduite d'eau universel pour réfrigérateur sont disponibles dans les longueurs suivantes :

8 pi (2,4 m) WX08X10006

15 pi (4,6 m) WX08X10015

25 pi (7,6 m) WX08X10025

**▲ AVERTISSEMENT** Raccordez l'appareil à une alimentation d'eau potable seulement.

Une alimentation d'eau froide est requise pour faire fonctionner la machine à glaçons automatique. La pression de l'eau doit être comprise entre 275 et 827 kilopascals (40 et 120 psis) est nécessaire pour faire fonctionner le distributeur d'eau et la machine à glaçons.

# Instructions d'installation

## INSTALLATION DE LA CONDUITE D'EAU (Suite)

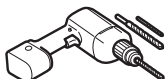
### CE DONT VOUS AUREZ BESOIN

**REMARQUE :** Le seul tuyau en plastique approuvé par GE Appliances est celui fourni dans les trousse de tuyau de conduite d'eau universel pour réfrigérateur. N'utilisez pas d'autres tuyaux d'alimentation d'eau en plastique car ils seront sous pression constamment. Certains types de plastique se fissureront ou se rompront avec l'âge et causeront des dégâts d'eau à votre maison.

- **Une trousse d'alimentation en eau de GE Appliances** (contenant le tuyau, le robinet d'arrêt et les raccords énumérés ci-dessous) est disponible moyennant des frais supplémentaires auprès de votre concessionnaire ou auprès du service pièces et accessoires, 800.661.1616.

- **Une alimentation en eau froide.** La pression de l'eau doit être comprise entre 172 et 827 kilopascals (40 et 120 psis).

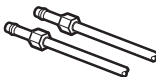
- **Perceuse électrique.**



- **Clé 1/2 po ou réglable**

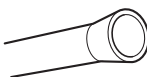
- **Tournevis à lame droite et cruciforme**

- **Deux écrous de compression de 1/4 po de diamètre extérieur et deux viroles (manchons)** — pour raccorder le tuyau en cuivre au robinet d'arrêt et au robinet d'eau du réfrigérateur.

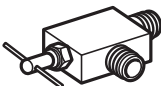


OU

- Si vous utilisez une trousse de tuyau de conduite d'eau universel pour réfrigérateur, les raccords nécessaires sont préassemblés au tuyau.



- Si votre conduite d'eau en cuivre existante a un raccord évasé à l'extrémité, vous aurez besoin d'un adaptateur (disponible dans les magasins de plomberie) pour raccorder la conduite au réfrigérateur OU vous pouvez couper le raccord évasé avec un coupe-tube et utiliser ensuite un raccord à compression. Ne coupez pas l'extrémité formée du tuyau de conduite d'eau universel pour réfrigérateur.



- **Le robinet d'arrêt** à raccorder à la conduite d'eau froide. Le robinet d'arrêt doit avoir une entrée d'eau d'un diamètre intérieur minimum de 5/32 po au point de raccordement à la CONDUITE D'EAU FROIDE. Des robinets d'arrêt à étrier sont inclus dans de nombreuses trousse d'alimentation en eau. Avant d'acheter, assurez-vous qu'un robinet à étrier est conforme à vos codes de plomberie locaux.

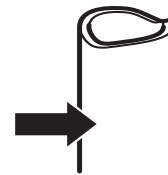
Installez le robinet d'arrêt sur la conduite d'eau potable fréquemment utilisée la plus proche.

### 1 COUPER L'ALIMENTATION EN EAU PRINCIPALE

Ouvrez le robinet le plus près suffisamment longtemps pour nettoyer la conduite d'eau.

### 2 CHOISIR L'EMPLACEMENT DU ROBINET

Choisissez un emplacement pour le robinet qui soit facilement accessible. Il est préférable de se raccorder dans le côté d'une conduite d'eau verticale. Lorsqu'il est nécessaire de se raccorder à une conduite d'eau horizontale, faites le raccordement en haut ou sur le côté, plutôt qu'en bas, pour éviter de soulever les sédiments de la conduite d'eau.

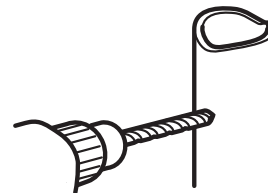


### 3 PERCER LE TROU POUR LE ROBINET

Percez un trou de 1/4 po dans la conduite d'eau (même si vous utilisez un robinet auto-perceur), à l'aide d'un foret affûté. Éliminez les bavures résultant du perçage du trou dans le tuyau.

Prenez soin de ne pas laisser l'eau s'écouler dans la perceuse.

Le fait de ne pas percer un trou de 1/4 po peut entraîner une réduction de la production de glace ou des cubes plus petits.

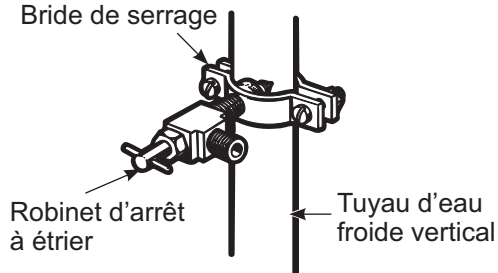


# Instructions d'installation

## INSTALLATION DE LA CONDUITE D'EAU (Suite)

### 4 FIXER LE ROBINET D'ARRÊT

Fixez le robinet d'arrêt au tuyau d'eau froide avec le collier de serrage.

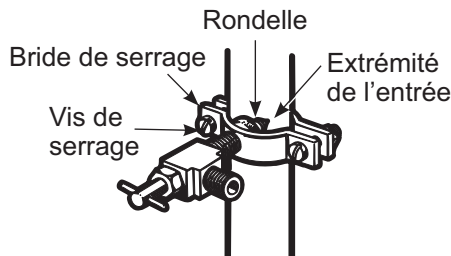


**REMARQUE :** Les codes de plomberie 248CMR du Commonwealth du Massachusetts doivent être satisfaits. Les robinets à étrier sont illégaux et leur utilisation prohibée dans le Massachusetts. Consultez votre plombier agréé.

### 5 SERRER LA BRIDE DE SERRAGE

Serrer les vis de la bride jusqu'à ce que la rondelle d'étanchéité commence à gonfler.

**REMARQUE :** Ne serrez pas excessivement sinon vous risquez d'écraser le tuyau.



### 6 ACHEMINER LE TUYAU

Acheminez le tuyau entre la conduite d'eau froide et le réfrigérateur.

Faites passer le tuyau par un trou percé dans le mur ou le sol (derrière le réfrigérateur ou l'armoire de base adjacente) aussi près que possible du mur.

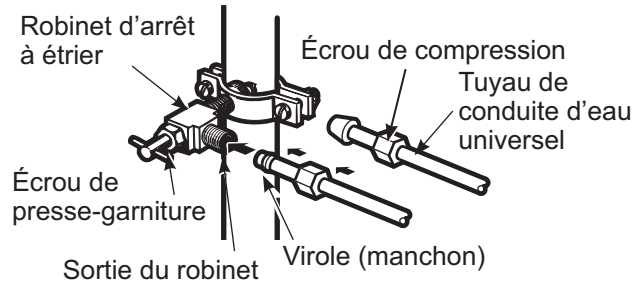
**REMARQUE :** Assurez-vous qu'il y a suffisamment de longueur de tuyau supplémentaire pour permettre au réfrigérateur de sortir du mur après l'installation.

### 7 RACCORDER LE TUYAU AU ROBINET

Placez l'écrou de compression et la virole (manchon) pour tuyau en cuivre sur l'extrémité du tuyau et raccordez-les au robinet d'arrêt.

Assurez-vous que le tuyau est complètement inséré dans le robinet. Serrer fermement l'écrou de compression.

Pour le tuyau en plastique d'une trousse pour réfrigérateur SmartConnect™, insérez l'extrémité moulée du tuyau dans le robinet d'arrêt et serrez l'écrou de compression jusqu'à ce qu'il soit serré à la main, puis serrez d'un tour supplémentaire avec une clé. Un serrage excessif peut provoquer des fuites



**REMARQUE :** Les codes de plomberie 248CMR du Commonwealth du Massachusetts doivent être satisfaits. Les robinets à étrier sont illégaux et leur utilisation prohibée dans le Massachusetts. Consultez votre plombier agréé.

### 8 RINCER LE TUYAU



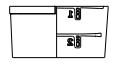

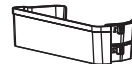


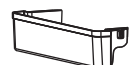

Ouvrez l'alimentation en eau principale et rincez le tuyau jusqu'à ce que l'eau soit claire. Coupez l'eau au robinet d'eau après le rinçage d'environ d'un litre (1 pinte) d'eau à travers le tuyau

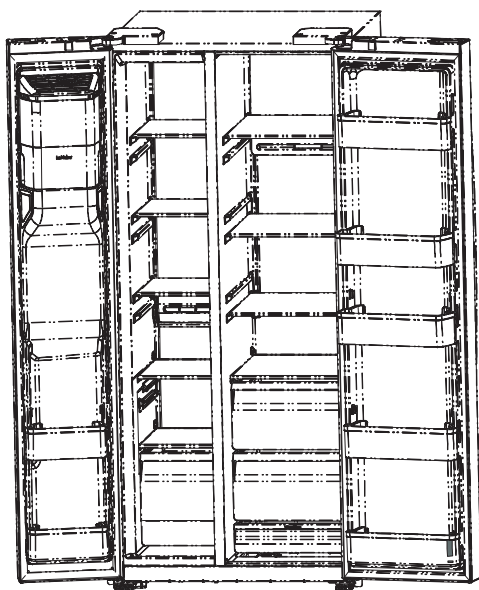


Pour terminer l'installation du réfrigérateur, revenez à l'étape 1 de la section Installation du réfrigérateur.

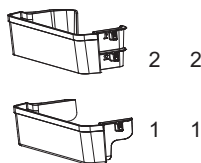
# Instructions d'installation

## INSTALLATION DU RÉFRIGÉRATEUR

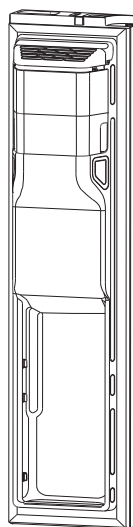
Balconnets du congélateur	Balconnets du réfrigérateur	Positions des balconnets
A 	D 	 1 2
B 	E 	 1 2
C 	F 	 1



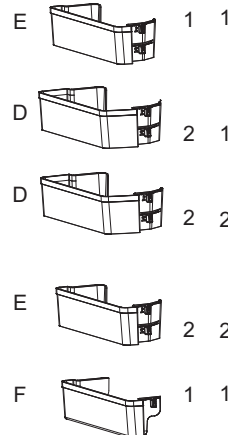
Distributeur externe  
GSS28N, GSE28N



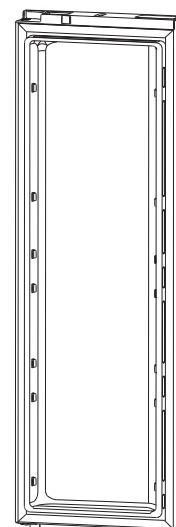
Balconnets du congélateur



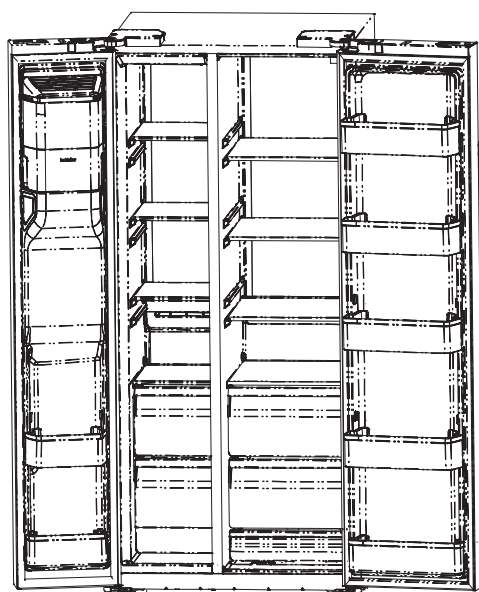
Position de la porte du congélateur



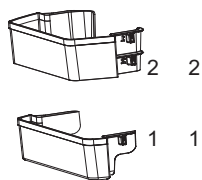
Balconnets du réfrigérateur



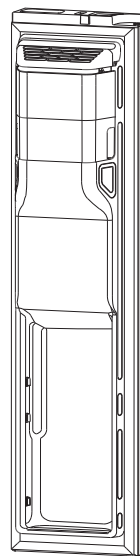
Position du réfrigérateur



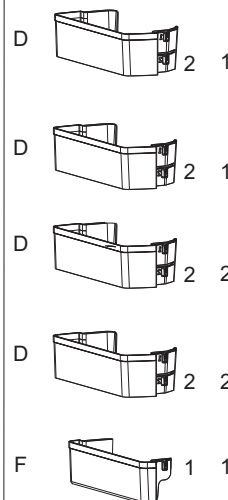
Distributeur externe  
GSS28P



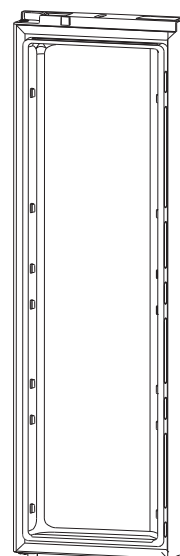
Balconnets du congélateur



Position de la porte du congélateur



Balconnets du réfrigérateur



Position du réfrigérateur

# Conseils de dépannage...Avant d'appeler un réparateur

Problème	Causes possibles	Correctifs
<b>Pas de filtrage</b>	Dérivation du filtre installée.	Installez le bon filtre à eau.
<b>Le message « Replace Filter » s'affiche sur le panneau de commande</b>	Filtre ayant atteint l'état expiré	Envisagez de remplacer votre filtre bientôt.
<b>Le message « Filter expired » s'affiche sur le panneau de commande</b>	Filtre expiré	Remplacez le filtre ou installez le bouchon de dérivation du filtre, le message s'éteindra dans quelques secondes pour indiquer que le filtre a été remplacé avec succès.
<b>Le message « Leak Detected » s'affiche sur le panneau de commande. Eau/glacé désactivée.</b>	Fuite du filtre détectée	Remplacez le filtre. Essuyez le filtre/la zone environnante en cas d'eau provenant du remplacement du filtre.
<b>« Err » sur l'affichage. Le message « Replace Filter » s'affiche sur le panneau de commande. Eau/glacé désactivée.</b>	Filtre non détecté. Aucune communication avec le filtre.	Vérifiez que vous disposez du filtre XWFE et non du XWF. Vérifiez qu'il n'y a pas de rayures ou que l'étiquette du filtre n'est pas endommagée. Remplacez le filtre si l'étiquette est endommagée. Remplacez le filtre ou assurez-vous que le filtre à eau est correctement installé (voir la section Filtre à eau).
<b>Le réfrigérateur ne fonctionne pas.</b>	Réfrigérateur en cycle de dégivrage	Attendez environ 30 minutes que le cycle de dégivrage se termine.
	Commande du congélateur en position OFF	Appuyez simultanément sur les touches « Fridge » + « Freezer » du panneau de commande pendant 3 secondes.
	Le réfrigérateur est débranché.	Enfoncez complètement la fiche dans la prise.
	Le fusible est grillé/le disjoncteur est déclenché.	Remplacez le fusible ou réinitialisez le disjoncteur.
	Le réfrigérateur est en mode vitrine (showroom).	Appuyez simultanément sur « Fridge » + « Freezer » + « Control Lock » sur le panneau de commande pendant 3 secondes.
<b>Le moteur fonctionne pendant de longues périodes ou il s'allume et s'éteint fréquemment en alternance.</b>	Les appareils modernes dotés de compartiments réfrigérateur et congélateur de grand volume exigent un temps de fonctionnement plus long. Ils démarrent et s'arrêtent souvent pour maintenir des températures uniformes.	
	Normal lorsque le réfrigérateur est branché pour la première fois.	Attendez 24 heures que le réfrigérateur refroidisse complètement.
	Les commandes de température sont réglées aux valeurs les plus froides.	Réglez la température sur une valeur plus chaude. Voyez la section Commandes.
<b>Réfrigérateur ou congélateur pas assez froid.</b>	Normal lorsque le réfrigérateur est branché pour la première fois ou après une coupure de courant prolongée.	Attendez 24 heures que la température dans les deux compartiments atteigne les températures sélectionnées.
	Cela se produit souvent lorsque des d'aliments chauds ou de grandes quantités d'aliments sont placés dans le réfrigérateur.	Ceci est normal, attendez 24 heures que le système se stabilise.
	Porte ouverte pendant une longue période.	Attendez 24 heures que le système se stabilise.
	Porte laissée ouverte/mal fermée.	Vérifiez si l'emballage maintient la porte ouverte. Assurez-vous que l'emballage sous les portes a été retiré. Assurez-vous que les aliments ne bloquent pas la porte.
	Temps chaud ou fréquentes ouvertures de porte.	Réglez la température sur une valeur plus froide. Voyez la section Commandes.
	La commande de température n'est pas réglée à un degré suffisamment froid.	Réglez la température sur une valeur plus froide. Voyez la section Commandes.
<b>Givre ou cristaux de glace sur les aliments congelés.</b>	Porte laissée ouverte/mal fermée.	Vérifiez si l'emballage maintient la porte ouverte. Assurez-vous que l'emballage sous les portes a été retiré. Assurez-vous que les aliments ne bloquent pas la porte.
	Les aliments bloquent la sortie d'air.	Assurez-vous qu'aucun aliment n'obstrue la sortie d'air.
<b>Le séparateur entre les compartiments réfrigérateur et congélateur est chaud</b>	Le système d'économie d'énergie automatique fait circuler le liquide chaud autour du compartiment congélateur.	Ce phénomène normal permet d'éviter la condensation à l'extérieur.

# Dépannage

Problème	Causes possibles	Correctifs
<b>Le distributeur d'eau/glace ne fonctionne pas (certains modèles)</b>	Conduite d'alimentation en eau fermée ou non connectée.	Le réfrigérateur doit être raccordé à l'alimentation d'eau et la machine à glaçons doit être allumée. Voyez la section Installation de la conduite d'eau.
	Installation de la conduite d'eau. Filtre à eau obstrué. Filtre mal installé/fuite d'eau du filtre.	Remplacez le filtre ou installez le bouchon, assurez-vous que le filtre à eau est correctement installé (reportez-vous à la section Filtre à eau).
	De l'air peut être emprisonné dans le circuit d'eau.	Appuyez sur le bras du distributeur pendant au moins deux minutes.
	Le distributeur est VERROUILLÉ.	Maintenez enfoncée la touche « Control Lock » du panneau de commande pendant 3 secondes.
	La conduite d'alimentation ou le robinet d'arrêt est obstrué(e).	Vérifiez que l'eau s'écoule de la conduite d'alimentation de la maison. S'il n'y a pas de débit, nous vous recommandons de faire examiner l'installation par un plombier.
<b>La machine à glaçons automatique ne fonctionne pas</b>	La machine à glaçons est désactivée (OFF) sur le panneau de commande.	Assurez-vous que la machine à glaçons est allumée uniquement après avoir branché la conduite d'eau et ouvert l'eau. Allumez votre machine à glaçons en appuyant sur le bouton « Ice Maker » du panneau de commande. Un voyant au-dessus du bouton « Ice Maker » s'allume, indiquant qu'elle est activée.
	Compartiment congélateur trop chaud	Un réfrigérateur nouvellement installé peut prendre de 12 à 24 heures pour commencer à fabriquer des glaçons.
	Amas irréguliers de glace dans le récipient de stockage.	Rompez l'amas avec la pression du bout des doigts et jeter les amas restants.  Le congélateur est peut-être trop chaud : réglez la commande du congélateur sur une valeur plus froide, une position à la fois, jusqu'à ce que les amas ne se forment plus.
<b>Cubes petits ou creux. Faible production de glace</b>	Filtre à eau obstrué.	Remplacez la cartouche filtrante par une cartouche neuve ou par un bouchon. La qualité de l'eau varie d'une ville à l'autre; si le débit d'eau du distributeur ralentit ou si la production de glace diminue, le filtre à eau doit être remplacé, même si l'indicateur du filtre n'indique pas nécessairement la nécessité de le remplacer.
	Basse pression d'eau.	Si le tuyau d'eau est plié, le débit d'eau peut être compromis  Une alimentation en eau froide avec une pression d'eau comprise entre 275 et 827 kilopascals (40 et 120 psis) est nécessaire pour faire fonctionner le distributeur d'eau et la machine à glaçons.
	Des aliments congelés bloquent la sortie d'air.	Compartiment congélateur trop chaud. Pour maximiser la production de glace, il est recommandé de ne pas trop charger la partie supérieure du congélateur, de laisser un peu d'espace en haut afin que l'air froid puisse atteindre la machine à glaçons dans la porte. Production normale de glace = 120 cubes en 24 heures.
<b>Distribution de glace concassée lors de la sélection de CUBED ICE</b>	Le dernier réglage était CRUSHED ICE.	Quelques morceaux de glace ont été laissés dans le concasseur à partir du réglage précédent. Ce phénomène est normal.
<b>L'eau dans le premier verre est chaude (certains modèles)</b>	Normal lorsque le réfrigérateur est installé pour la première fois ou utilisation intensive.	Le réservoir du distributeur d'eau situé à l'intérieur du réfrigérateur stocke l'eau à distribuer. L'eau dans ce réservoir nécessite 24 heures pour refroidir après l'installation. Des conditions d'utilisation élevées ne laisseront pas le temps à l'eau de refroidir.
	Le distributeur d'eau n'a pas été utilisé depuis longtemps.	Versez de l'eau jusqu'à ce que tout l'air du circuit soit purgé.
	Le circuit d'eau a été vidangé.	Attendez plusieurs heures pour laisser refroidir l'approvisionnement.
<b>Eau qui jaillit ou fuit du distributeur</b>	Cartouche filtrante nouvellement installée	Faites couler l'eau du distributeur pendant environ 5 minutes (environ 7-8 litres) pour évacuer l'air du système.
	De l'air peut être présent dans le système d'eau, provoquant des gouttes d'eau après la distribution.	Faites couler l'eau du distributeur pendant environ 5 minutes (environ 7-8 litres) pour évacuer l'air du système.  Quelques gouttes d'eau peuvent tomber du distributeur après avoir relâché la palette du distributeur. Pour minimiser l'égouttement, retirez lentement le verre du distributeur.
<b>L'eau n'est pas distribuée (certains modèles) mais la machine à glaçons fonctionne</b>	L'eau du réservoir est gelée car les réglages sont trop froids.	Réglez la commande du réfrigérateur sur une valeur plus chaude et attendez 24 heures. Si l'eau ne s'écoule pas après 24 heures, appelez un technicien.

Problème	Causes possibles	Correctifs
<b>Eau sur le plancher de la cuisine ou au fond du congélateur</b>	Cubes coincés dans la goulotte.	Retirez le seau à glace et enfoncez la glace dans la goulotte à l'aide d'une cuillère en bois.
	La conduite d'eau de la maison n'est pas correctement raccordée au réfrigérateur.	Lors de la purge de l'air du circuit d'eau, vérifiez l'étanchéité de tous les raccords de la conduite d'eau. Vérifiez le raccord de l'alimentation d'eau de la maison à l'arrière du réfrigérateur et le raccord de la conduite d'eau de la porte.
<b>Le réfrigérateur, la glace ou l'eau ont une odeur/un goût</b>	Un aliment transmet une odeur/un goût aux glaçons.	Les aliments avec de fortes odeurs doivent être bien enveloppés. Conservez une boîte ouverte de bicarbonate de soude dans le réfrigérateur; remplacez-la tous les trois mois.
	L'intérieur du réfrigérateur doit être nettoyé.	Voyez la section Entretien et nettoyage.
	L'eau / la glace n'a pas été utilisée depuis longtemps.	Distribuez de l'eau jusqu'à ce que le système soit rempli, nous recommandons 5 minutes (environ 7-8 litres). Retirez le seau à glace et jetez les vieux glaçons.
	Cartouche filtrante nouvellement installée ou réfrigérateur branché pour la première fois.	Après avoir démarré la machine à glaçons, jetez 24 heures de production de glaçons pour éviter les problèmes d'odeur et de goût. Nous recommandons de faire couler l'eau du distributeur pendant 5 minutes (environ 7-8 litres). Il est normal que la glace ou l'eau présentent quelques taches noires lors du rinçage initial du système.
<b>De l'humidité se forme à l'extérieur du réfrigérateur</b>	Pas inhabituel pendant les périodes de forte humidité.	Essuyez la surface pour la sécher.
<b>L'humidité/le givre s'accumule à l'intérieur (par temps humide, l'air transporte l'humidité dans le réfrigérateur lorsque les portes sont ouvertes)</b>	Ouvertures de porte trop fréquentes ou trop longues.	Le givre à l'intérieur du congélateur indique généralement que la porte n'est pas suffisamment étanche ou qu'elle a été laissée ouverte. Si du givre est détecté, éliminez-le à l'aide d'une spatule en plastique et d'une serviette, puis vérifiez qu'aucun emballage ou contenant d'aliments n'empêche la porte du congélateur de se fermer. Vérifiez le panneau de commande du réfrigérateur pour vous assurer que l'alarme de porte est activée.
	En raison de l'humidité plus élevée dans le réfrigérateur, il se peut que vous observiez de la buée ou de petites quantités d'humidité dans le compartiment réfrigérateur.	Ceci est normal, les charges et les conditions environnementales peuvent varier, utilisez une serviette en papier si désiré.
<b>L'éclairage intérieur ne fonctionne pas</b>	Pas d'alimentation à la prise.	Remplacez le fusible ou réarmez le disjoncteur.
	Pour les lumières DEL	Appelez pour planifier l'intervention d'un technicien.
<b>Air chaud provenant du bas du réfrigérateur</b>	Flux d'air normal du moteur de réfrigération. Dans le processus de réfrigération, il est normal que de la chaleur soit expulsée dans la zone sous le réfrigérateur.	Ce phénomène est normal.
<b>Le réfrigérateur ne s'éteint jamais, mais les températures sont correctes</b>	Le dégivrage adaptatif maintient le compresseur en marche pendant l'ouverture des portes.	Ce phénomène est normal. Le réfrigérateur s'éteint une fois que la porte est restée fermée pendant 2 heures.
<b>Le réfrigérateur émet un signal sonore</b>	Il s'agit de l'alarme de porte.	La porte est ouverte. - Éteignez ou désactivez avec la porte fermée. - Si la porte est ouverte et que l'alarme retentit, vous pouvez seulement la mettre en veille. - Vérifiez que la porte est complètement fermée.
<b>La porte ne se ferme pas correctement</b>	Le joint de porte du côté charnière est coincé ou replié.	Appliquez du gel de pétrole sur la face du joint.
<b>La poignée est desserrée ou présente un jeu</b>	La poignée doit être resserrée.	Si les poignées de porte sont desserrées ou présentent un jeu, la poignée peut être serrée à l'aide d'une clé Allen de 1/8 po, sur les vis de réglage situées aux extrémités des poignées. Voyez la section INSTALLATION DU RÉFRIGÉRATEUR (étape 5 INSTALLATION DE LA POIGNÉE DU RÉFRIGÉRATEUR ET DU CONGÉLATEUR).
<b>Le haut des portes du réfrigérateur n'est pas aligné</b>	Plusieurs facteurs peuvent affecter l'alignement de la porte du réfrigérateur, y compris le plancher sur lequel le réfrigérateur est installé et le chargement des portes.	Utilisez une clé de 7/16 po pour régler la porte droite. Revérifiez l'alignement après avoir chargé les aliments. Répétez le processus si nécessaire. Voyez les instructions d'installation (étape 4 ALIGNEMENT DE LA PORTE).
<b>Vibrations ou cliquetis (une légère vibration est normale)</b>	Les pieds de nivellement doivent être ajustés.	Installez le réfrigérateur sur une surface solide et plane. Voyez la section « Mise à niveau du réfrigérateur » des instructions d'installation.
	Des objets sont placés autour ou sur le dessus de l'appareil.	Retirez les objets. Les réfrigérateurs vibrent légèrement pendant le fonctionnement du compresseur ou du ventilateur. Les objets placés sur le dessus peuvent faire du bruit en raison de ces vibrations.
	Dégagement aux murs incorrect.	Laissez l'espace recommandé autour de l'appareil.

# Dépannage

Problème	Causes possibles	Correctifs
« Bourdonnement » fréquent	La machine à glaçons est allumée, mais l'alimentation d'eau du réfrigérateur n'a pas été raccordée.	Appuyez sur le bouton « Ice Maker » du panneau de commande pour l'éteindre. Une lumière au-dessus du bouton « Ice Maker » s'éteindra, la maintenir en position de marche endommagera le robinet d'eau
Bruit de claquement ou sifflement provenant de la zone du congélateur	Cela est un fonctionnement normal pour le dégivreur. Le dégivreur élimine le givre de l'évaporateur de votre réfrigérateur pour un fonctionnement optimal.	Il s'agit d'un fonctionnement normal et le dégivreur s'éteint une fois que le givre a été éliminé.
Sons de cliquetis.	Un clic peut se produire lorsque les composants électriques démarrent ou s'arrêtent.	La carte de commande électronique peut émettre un clic lorsque les relais s'activent pour commander les composants du réfrigérateur. Fonctionnement normal.
		Les amortisseurs électroniques s'ouvrent et se ferment par clics pour assurer un refroidissement optimal et des économies d'énergie. Fonctionnement normal.
Son de bruissement ou de sifflement	Fonctionnement du ventilateur de l'évaporateur et du condenseur.	Vous pouvez entendre les ventilateurs tourner à grande vitesse. Les ventilateurs aident à maintenir les températures correctes dans votre réfrigérateur. Parfois, ils peuvent fonctionner pendant une longue période, surtout lorsque les portes sont ouvertes souvent ou lorsqu'une grande quantité d'aliments est stockée. Cela fait partie du fonctionnement normal.
	Égalisation de la pression d'air	Vous pouvez entendre un sifflement lorsque les portes se ferment. Ceci est dû à l'égalisation de la pression dans le réfrigérateur. Cela fait partie du fonctionnement normal.
Bruits de gargouillement	Fluide frigorigène circulant dans le circuit de refroidissement.	Le flux de frigorigène peut produire un bruit de bouillonnement comme de l'eau bouillante. Ceci est normal et fait partie du processus de refroidissement.
Bruits de craquement ou de claquement.	Dilatation et contraction thermiques.	Vous pouvez entendre des bruits de craquement ou de claquement lorsque la température du réfrigérateur augmente ou diminue. Cela se produit parce que les pièces en plastique se contractent et se dilatent. Cela fait partie du fonctionnement normal.
Son de grondement	Le réfrigérateur peut émettre des sons similaires à ceux d'un moteur lorsqu'il démarre ou termine une opération.	Ceci est normal et fait partie du cycle de refroidissement. Il peut parfois fonctionner pendant une période prolongée, surtout lorsque les portes sont ouvertes fréquemment.
Son de grésillement	Activation du dégivreur	Les gouttes d'eau sur le dégivreur peuvent provoquer des sons de grésillement, d'éclatement ou de bourdonnement pendant le cycle de dégivrage. Un bruit d'eau qui dégoutte peut se faire entendre pendant le cycle de dégivrage lorsque la glace fond de l'évaporateur et s'écoule dans le bac de drainage pour un fonctionnement optimal.
Bruit sourd ou d'égouttement	Glaçons qui tombent dans le bac à glaçons.	Sur les modèles équipés d'une machine à glaçons, après avoir terminé un cycle de fabrication de glace, vous pouvez entendre un bruit fort lorsque des glaçons tombent dans le seau de stockage de glaçons. Ceci est normal et se produit une fois que la machine à glaçons a terminé un cycle.
Bourdonnement ou vrombissement	Activation du robinet d'entrée d'eau	Vous entendrez un bourdonnement lorsque vous distribuez de l'eau ou lorsque le robinet d'entrée d'eau s'ouvre pour permettre à l'eau de s'écouler de la conduite d'eau à la machine à glaçons. Ce son peut être entendu une ou plusieurs fois. Cela fait partie du fonctionnement normal.
Électroménager non connecté au Wi-Fi (sur certains modèles).	Le Wi-Fi est désactivé sur le téléphone intelligent	Vérifiez les paramètres de votre téléphone et activez le Wi-Fi
	Le routeur est éteint ou ne fonctionne pas	Assurez-vous que le routeur est sous tension et que tous les câbles sont correctement connectés
	Signal Wi-Fi faible	Rapprochez-vous du routeur ou éliminez les obstacles physiques.
	Mot de passe Wi-Fi incorrect.	Saisissez le mot de passe correct. Réinitialisez-le en cas d'oubli.
	Le téléphone intelligent utilisé pour configurer la connexion de l'électroménager est en mode avion	Désactivez le mode avion dans les paramètres de votre téléphone.
	Congestion du réseau (trop d'appareils connectés).	Déconnectez les appareils inutilisés ou redémarrez le routeur pour actualiser les connexions.
	Le logiciel de l'appareil est obsolète	Mettez à jour le système d'exploitation ou le micrologiciel de votre appareil.
	La fréquence du routeur n'est pas de 2,4 GHz	Réglez le routeur sur 2,4 GHz. Consultez votre fournisseur internet ou le fabricant de votre routeur pour obtenir de l'aide.
Le nom ou le mot de passe Wi-Fi ont été modifiés	Suivez les instructions de SmartHQ pour retirer l'électroménager et l'ajouter à nouveau.	

\*Certains modèles ne sont pas équipés du bouchon de dérivation du filtre. Pour obtenir un bouchon de dérivation gratuit, appelez le 800.561.3344 et demandez le bouchon de dérivation de filtre WR17X33825.

# Garantie limitée du réfrigérateur GE Appliances

**GARANTIE LIMITÉE**

**electromenagersge.ca**

Toutes les réparations sous garantie seront effectuées par nos centres de réparation ou nos réparateurs autorisés. Appelez le **800.561.3344**. Veuillez fournir le numéro de série et le numéro de modèle lorsque vous appelez pour obtenir le service.

L'entretien de votre réfrigérateur peut nécessiter l'utilisation du port de données embarqué pour le diagnostic. Cela donne à un technicien du centre de service d'usine GE Appliances la possibilité de diagnostiquer rapidement tout problème avec votre appareil et aide GE Appliances à améliorer ses produits en fournissant à GE Appliances des informations sur votre appareil. Si vous ne souhaitez pas que les données de votre appareil soient envoyées à GE Appliances, veuillez aviser votre technicien de NE PAS soumettre les données à GE Appliances au moment de la réparation.

**Pendant la période de :** **GE Appliances remplacera**

**MARQUE GE ET MARQUE GE PROFILE :**

**Un an**  
À partir de la date d'achat initial  
**Toute pièce** du réfrigérateur défectueuse en raison d'un défaut de matériaux ou de fabrication. Pendant la période de **garantie limitée d'un an**, GE Appliances fournira également **gratuitement toute** la main-d'œuvre et les services connexes pour remplacer la pièce défectueuse.

**Trente jours**  
(filtre à eau, si inclus) à compter de la date d'achat initial du réfrigérateur  
**Toute pièce** de la cartouche filtrante défectueuse en raison d'un défaut de matière ou de fabrication. Pendant cette **garantie limitée de trente jours**, GE Appliances fournira également, **gratuitement**, une cartouche filtrante de remplacement.

**MARQUE GE PROFILE UNIQUEMENT :**

**Cinq ans**  
À compter de la date d'achat initial  
**Toute pièce** du système de réfrigération scellé (compresseur, condenseur, évaporateur et tous les tuyaux de raccordement) défectueuse en raison d'un défaut de matière ou de fabrication. Pendant cette **garantie limitée de cinq ans** sur le système de réfrigération scellé, GE Appliances fournira également, **gratuitement**, toute la main-d'œuvre et les services connexes pour remplacer la pièce défectueuse dans le système de réfrigération scellé.

## Ce que GE Appliances ne couvre pas :

- Les déplacements à votre domicile pour vous apprendre à utiliser le produit.
- Une installation, une livraison ou un entretien inadéquats.
- La défaillance du produit attribuable à un usage abusif, erroné ou destiné à une autre fin que celle prévue dont commerciale.
- La perte de nourriture due à la détérioration.
- Le remplacement des fusibles du domicile ou le réarmement des disjoncteurs.
- Les dommages au fini, tels que rouille de surface, ternissement ou petites imperfections qui ne sont pas rapportés dans les 48 heures suivant la livraison.
- Les dommages causés par un filtre à eau de marque autre que GE Appliances.
- Le remplacement de la cartouche de filtre à eau, si elle est incluse, en raison de la pression de l'eau qui est en dehors de la plage de fonctionnement spécifiée ou en raison de sédiments excessifs dans l'alimentation en eau.
- Le remplacement des ampoules, si elles sont incluses, ou de la cartouche filtrante, si elle est incluse, autre que ce qui est indiqué ci-dessus.
- Tout dommage occasionné par un accident, un incendie, une inondation ou autre catastrophe naturelle.
- Les dommages accidentels ou consécutifs causés par des défauts éventuels de cet électroménager.
- Un produit non accessible pour fournir le service requis.

## EXCLUSION DES GARANTIES TACITES

Votre recours exclusif est l'échange du produit suivant les modalités de la Garantie Limitée. Toutes garanties tacites, y compris les garanties de valeurs marchandes ou d'adéquation à des fins particulières, sont limitées à une durée d'un an ou à la durée la plus courte autorisée par la loi.

## Au Canada (incluant la province de Québec) :

Cette garantie limitée s'étend à l'acheteur initial et à tous les propriétaires ultérieurs pour les produits achetés au Canada, y compris au Québec, et qui sont destinés à un usage domestique au Canada, y compris au Québec. Toutefois, si le produit se trouve dans une région où un réparateur agréé GE Appliances n'est pas disponible, vous pourriez être tenu de payer des frais de déplacement ou de vous rendre dans un centre de service agréé GE Appliances. Certains territoires, comme le Québec, interdisent l'exclusion ou la restriction des dommages collatéraux ou indirects. Cette garantie limitée vous confère des droits légaux spécifiques ; vous pouvez également bénéficier d'autres droits qui varient d'une province à l'autre, y compris au Québec. Pour en savoir plus sur vos droits légaux, adressez-vous à votre bureau régional ou provincial de protection des consommateurs.

**À l'intention des consommateurs québécois uniquement - Avis sur la garantie de disponibilité des pièces de rechange, des services de réparation et des renseignements nécessaires à la réparation ou à l'entretien (art. 39 de la Loi sur la protection du consommateur):**

Veuillez noter que MC Commercial Inc. (« MC Commercial ») ne garantit pas, au sens de l'article 39 de la Loi sur la protection du consommateur, RLRQ, c. P-40.1, et des articles 79.18 à 79.20 du Règlement d'application de la Loi sur la protection du consommateur, RLRQ, c. P-40.1, r. 3, la disponibilité des pièces de rechange, des services de réparation ou des renseignements nécessaires à l'entretien ou à la réparation des biens fabriqués, importés, annoncés ou vendus par MC Commercial. Veuillez noter que MC Commercial Inc. continue d'offrir la garantie limitée du fabricant, telle qu'énoncée dans le manuel du propriétaire ou le guide rapide. Cette garantie limitée diffère de la garantie légale de disponibilité énoncée à l'article 39 de la Loi sur la protection du consommateur.

**Garant : MC Commercial Inc., Burlington, ON, L7L 6B2**

Pour bénéficier du service de réparation sous garantie, une preuve de la date d'achat initial est nécessaire.

# Cartouche filtrante à eau garantie limitée XWFE

Contactez-nous à [electromenagersge.ca](http://electromenagersge.ca) ou appelez le 800.561.3344.

<b>Pendant une période de</b>	<b>GE Appliances remplacera</b>
<b>Trente jours</b> À partir de la date d'achat initial	<b>Toute pièce</b> de la cartouche filtrante qui tombe en panne en raison d'un défaut de matière ou de fabrication pendant cette <b>garantie limitée de trente jours.*</b>

## Ce que GE Appliances ne couvre pas :

- Les déplacements à votre domicile pour vous apprendre à utiliser le produit.
- Une installation incorrecte.
- La défaillance du produit attribuable à usage abusif, erroné ou destiné à une autre fin que celle prévue dont commerciale.
- Le remplacement des fusibles du domicile ou le réarmement des disjoncteurs.
- Tout dommage occasionné par un accident, un incendie, une inondation , ou autre catastrophe naturelle.
- Les dommages accidentels ou consécutifs causés par des défauts éventuels de cet électroménager.

### EXCLUSION DES GARANTIES IMPLICITES

Votre seul et unique recours est un échange de pièce tel que prévu dans la présente garantie limitée. Toute garantie implicite, y compris les garanties implicites relatives à la qualité marchande ou à l'adéquation à un usage particulier, se limitera à une période de six mois ou à la période la plus courte prescrite par la loi.

Cette garantie est étendue à l'acheteur d'origine et aux propriétaires suivants pour tout produit acheté pour une utilisation domestique aux Etats-Unis. En Alaska, cette garantie exclut le coût d'expédition ou de dépannage à votre domicile.

Certains états n'acceptent pas d'exclusion ou de limites aux dommages indirects consécutifs. Certains droits particuliers vous sont dévolus en vertu de la présente garantie et peuvent s'accompagner d'autres droits qui varient d'un état à un autre. Pour connaître vos droits, veuillez consulter votre bureau local ou le bureau d'état des affaires aux consommateurs ou le Procureur Général de votre état.

**Pour les achats effectués en Iowa :** Ce formulaire doit être signé et daté par l'acheteur et le vendeur avant la réalisation de cette vente.

Ce formulaire doit être conservé au dossier par le vendeur pendant une période minimale de deux ans.

### Acheteur :

Nom \_\_\_\_\_  
 Adresse \_\_\_\_\_  
 Ville \_\_\_\_\_ État \_\_\_\_\_ Code postal \_\_\_\_\_  
 Signature \_\_\_\_\_ Date \_\_\_\_\_

### Vendeur :

Nom \_\_\_\_\_  
 Adresse \_\_\_\_\_  
 Ville \_\_\_\_\_ État \_\_\_\_\_ Code postal \_\_\_\_\_  
 Signature \_\_\_\_\_ Date \_\_\_\_\_

\* Si votre pièce GE s'avère défectueuse en raison d'un défaut de fabrication dans les trente jours à compter de la date d'achat initiale, nous vous fournirons gratuitement une nouvelle pièce, ou, à notre gré, une pièce reconstruite. Renvoyez la pièce défectueuse au fournisseur de pièces auprès duquel cette pièce a été achetée avec une copie de la preuve d'achat de la pièce. Si la pièce est défectueuse et n'indique aucun signe d'une utilisation abusive, celle-ci sera échangée. La garantie ne couvre pas la défaillance de pièces qui sont endommagées en votre possession, sont utilisées de façon abusive ou ont été mal installées. Elle ne couvre pas les frais de retour de la pièce au fournisseur auprès duquel elle a été achetée. Elle ne couvre pas non plus le coût de main d'oeuvre pour retirer ou installer cette pièce pour diagnostiquer la panne. Elle ne couvre pas les pièces utilisées dans les produits à usage commercial, sauf dans le cas des équipements de climatisation. En aucun cas, GE ne peut être tenu responsable des dommages indirects.

**Garant : MC Commercial Inc., Burlington, ON, L7L 6B2**

Pour bénéficier du service de réparation sous garantie, une preuve de la date d'achat initial est nécessaire.

# Remarques

---

REMARQUES



# Remarques

---

REMARQUES

# Soutien au consommateur

---

## Site Web de GE Appliances

Vous avez une question ou vous avez besoin d'aide pour votre appareil électroménager? Visitez le site Web de GE Appliances 24 heures par jour, tous les jours de l'année! Vous pouvez aussi y trouver d'autres formidables produits GE Appliances et tirer avantage de tous nos services d'assistance en ligne. Au Canada : [ElectromenagersGE.ca/fr](http://ElectromenagersGE.ca/fr)

---

## Enregistrez votre électroménager

Enregistrez votre nouvel appareil en ligne au moment qui vous convient le mieux! L'enregistrement de votre produit dans les délais prescrits permet une meilleure communication et un service rapide, selon les modalités de votre garantie, si besoin est. Vous pouvez également envoyer par courrier la carte d'enregistrement pré-imprimée qui se trouve dans l'emballage de votre appareil.

Au Canada : [electromenagersge.ca/soutien-apres-vente](http://electromenagersge.ca/soutien-apres-vente)

---

## Service de réparation

Un service de réparation expert GE Appliances se trouve à quelques pas de chez vous. Rendez-vous sur notre site et programmez, à votre convenance, une visite de réparation à n'importe quel jour de l'année.

Au Canada : [electromenagersge.ca/soutien-apres-vente](http://electromenagersge.ca/soutien-apres-vente) ou composez le 800.561.3344

---

## Prolongation de garantie

Procurez-vous une prolongation de garantie GE Appliances et informez-vous des rabais spéciaux en vigueur pendant la durée de votre garantie. Vous pouvez vous la procurer en ligne en tout temps. Les services GE Appliances seront toujours disponibles après l'expiration de la garantie.

Au Canada : [electromenagersge.ca/achat-dune-garantie-prolongee](http://electromenagersge.ca/achat-dune-garantie-prolongee) ou composez le 866.277.9842.

---

## Pièces et accessoires

Les personnes ayant les compétences requises pour réparer elles-mêmes leurs appareils peuvent recevoir directement à la maison des pièces ou accessoires (les cartes VISA, MasterCard et Discover sont acceptées). Commandez en ligne 24 heures par jour.

Au Canada : [electromenagersge.ca/pièces-filtres-et-accessoires](http://electromenagersge.ca/pièces-filtres-et-accessoires) ou composer le 800.661.1616.

**Les instructions contenues dans le présent manuel comportent des procédures que tout utilisateur peut effectuer. Les autres types de réparation doivent généralement être confiés à un technicien qualifié. Usez de prudence : une réparation ou un entretien mal effectués peuvent rendre l'utilisation de l'appareil dangereuse.**

---

## Communiquez avec nous

Si vous n'êtes pas satisfait du service après-vente de GE Appliances, communiquez avec nous depuis notre site Web en fournissant tous les détails dont votre numéro de téléphone, ou écrivez à :

Au Canada : Director, Customer Relations | MC Commercial Inc. | Suite 300, 5420 North Service Road | Burlington, ON L7L 6C7  
[electromenagersge.ca/contactez-nous](http://electromenagersge.ca/contactez-nous) ou composer le 877.994.5366



# de Dos Puertas REFRIGERADORES

## INFORMACIÓN DE SEGURIDAD 3

## USO DEL REFRIGERADOR

- Funciones .....6
- Controles .....8
- Módo Sabático .....9
- Estantes y Compartimientos.....10
- Cajones. .... 11
- Dispensador ..... 11
- WiFi .....12
- Respuesta a la Demanda .....13
- Filtro de Agua XWFE.....14
- Máquina de Hielo Automática ..... 15

## CUIDADO Y LIMPIEZA .....16

## INSTRUCCIONES DE INSTALACIÓN

- Ante de Comenzar .....18
- Preparación .....18
- Herramientas Que Podrá Necesitar .....18
- Dimensiones .....19
- Traslado del Refrigerador .....21
- Instalación del Refrigerador ..... 24
- Instalación del Suministro de Agua.....27

## CONSEJOS PARA SOLUCIONAR PROBLEMAS ..... 31

## GARANTÍA LIMITADA .....35

## GARANTÍA DEL CARTUCHO DEL FILTRO DE AGUA ..... 36

## COMUNICACIÓN CON EL ELECTRODOMÉSTICO ..... 30

## SOPORTE AL CONSUMIDOR .. 40

### MANUAL DEL PROPIETARIO E INSTRUCCIONES DE INSTALACIÓN

GSS, GSE, GZS

**ESPAÑOL**

Escriba los números de modelo y serie aquí:

Nº de Modelo \_\_\_\_\_

Nº de Serie \_\_\_\_\_

Encontrará estos números en la etiqueta sobre el revestimiento interior superior de la carcada de la unidad sobre la parte del frente.

## **GRACIAS POR HACER A GE APPLIANCES PARTE DE SU HOGAR.**

---

Ya sea que haya crecido con GE Appliances, o que ésta sea su primera vez, estamos felices de tenerlo en la familia.

Sentimos orgullo por la creación, innovación y diseño de cada producto de GE Appliances, y creemos que usted también. Entre otras cosas, el registro de su electrodoméstico nos asegura que podamos entregarle información importante del producto y detalles de la garantía cuando los necesite.

Registre su electrodoméstico GE Appliances a través de Internet ahora. Sitios web útiles y números telefónicos están disponibles en la sección de Soporte al Consumidor de este Manual del Propietario. También puede enviar la tarjeta de registro preimpresa incluida con el material de embalaje.



# INFORMACIÓN IMPORTANTE DE SEGURIDAD

## LEA TODAS LAS INSTRUCCIONES ANTES DE USAR ESTE ELECTRODOMÉSTICO

### ⚠️ ADVERTENCIA

Para reducir el riesgo de incendio, explosión, descargas eléctricas o lesiones al usar el refrigerador, siga estas precauciones básicas de seguridad:

- Este refrigerador se deberá instalar y ubicar adecuadamente de acuerdo con las Instrucciones de Instalación antes del uso.
- Desenchufe el refrigerador antes de realizar reparaciones o la limpieza.
- NOTA:** No es posible desconectar la corriente al refrigerador a través de una configuración del panel de control.
- NOTA:** Las reparaciones deberán ser realizadas por un Profesional del Servicio Técnico calificado.
- Vuelva a colocar todas las partes y paneles antes del uso.
- No use un cable de extensión.
- No guarde ni use gasolina u otros vapores y líquidos inflamables cerca de éste o de cualquier otro electrodoméstico.
- No guarde sustancias explosivas tales como latas de aerosoles con propelentes inflamables en este electrodoméstico.
- Para evitar riesgos de que los niños sufran asfixia o queden atrapados, retire las puertas del refrigerador y del freezer de cualquier refrigerador antes de descartar o dejar de usar el mismo.
- Para evitar lesiones graves o la muerte, los niños no se deberán parar, jugar dentro ni con el electrodoméstico.
- Los niños y las personas con capacidad física, sensorial o mental reducida o con falta de experiencia y conocimiento podrán usar este electrodoméstico sólo si son supervisados o les fueron dadas instrucciones sobre un uso seguro y entienden los riesgos involucrados.
- Este electrodoméstico fue diseñado para uso en hogares y en aplicaciones similares tales como: áreas de personal de cocina en tiendas, oficinas y otros espacios laborales; casas de campo; para clientes en hoteles, moteles, hostales y otros espacios residenciales, catering y unidades no minoristas similares.
- Conecte el electrodoméstico a un suministro de agua potable únicamente. Se requiere un suministro de agua fría con una presión de entre 40 y 120 psi (275 y 827 kilopascales) para usar el dispensador de agua y la máquina de hielo.
- No aplique limpiadores ásperos sobre el refrigerador. Ciertos limpiadores dañarán el plástico, lo cual podrá hacer que algunas partes tales como la puerta o las manijas de la puerta se separen de forma inesperada. Para acceder a instrucciones detalladas, lea la sección de Cuidado y Limpieza.

### ⚠️ PRECAUCIÓN

Para reducir el riesgo de lesión al usar el refrigerador, siga estas precauciones básicas de seguridad.

- No limpie los estantes de vidrio ni las tapas con agua caliente cuando estén frías. Los estantes de vidrio y las tapas se podrán romper si son expuestas a cambios de temperatura repentinos o a impactos tales como sacudones o caídas. El vidrio templado fue diseñado para destruirse en pequeñas piezas en caso de rotura.
- Mantenga los dedos fuera de las áreas con “puntos de pellizco”; los espacios entre las puertas y los espacios entre las puertas y el gabinete son necesariamente pequeños. Tenga cuidado al cerrar las puertas cuando los niños se encuentren en el área.
- No toque las superficies frías del compartimiento del freezer con las manos húmedas o mojadas, ya que la piel podrá quedar adherida a estas superficies extremadamente frías.
- No vuelva a frizar comidas que ya hayan estado totalmente congeladas.
- En refrigeradores con máquinas de hielo automáticas, evite el contacto con las partes móviles del mecanismo eyector. No coloque los dedos ni las manos en el mecanismo automático de la máquina de hielo mientras el refrigerador esté enchufado.
- Use un vidrio sólido al dispensar hielo (en modelos con dispensador de hielo).

## INSTALACIÓN

### ⚠️ ADVERTENCIA



### RIESGO DE INCENDIO O EXPLOSIÓN

Mantenga los materiales inflamables y vapores alejados del refrigerador. Si no se cumple con esto, se podrá producir una explosión, un incendio o la muerte.

# LEA Y GUARDE ESTAS INSTRUCCIONES

# INFORMACIÓN IMPORTANTE DE SEGURIDAD LEA TODAS LAS INSTRUCCIONES ANTES DE USAR ESTE ELECTRODOMÉSTICO

## **⚠ ADVERTENCIA** **RIESGO DE INCENDIO O EXPLOSIÓN Refrigerante Inflamable**

Este electrodoméstico cuenta con refrigerante isobutano, también conocido como R600a, un gas natural con alto nivel de compatibilidad medioambiental. Sin embargo, también es combustible. Siga las advertencias que figuran a continuación para reducir el riesgo de lesiones o daños sobre la propiedad.

1. Al manipular, instalar y usar el electrodoméstico, se deberá tener cuidado para evitar dañar la tubería del refrigerante.
2. El servicio técnico sólo deberá ser realizado por personal autorizado del servicio. Use sólo partes autorizadas por el fabricante para el servicio técnico.
3. Descarte el refrigerador de acuerdo con las Regulaciones Federales y Locales. El refrigerante inflamable y el material de aislación usados con este producto requieren procedimientos de descarte especiales. Comuníquese con las autoridades locales para descartar su electrodoméstico de forma ambientalmente segura.
4. Mantenga las aberturas de ventilación, en el espacio de protección o en la estructura empotrada del electrodoméstico, libres de obstrucción.
5. Para eliminar la escarcha, raspe con una espátula o raspador de plástico o madera. No use un picahielos ni un instrumento metálico o de punta filosa, ya que esto podrá perforar el revestimiento del electrodoméstico y luego la tubería del refrigerante inflamable que se encuentra detrás.
6. No use dispositivos eléctricos dentro del compartimento de almacenamiento de comida del electrodoméstico.
7. No use ningún dispositivo eléctrico para descongelar su electrodoméstico.

## CONEXIÓN DE LA ELECTRICIDAD

### **⚠ ADVERTENCIA** **RIESGO DE DESCARGA ELÉCTRICA**

Enchufe en un tomacorriente con conexión a tierra de 3 cables.

No elimine el cable de conexión a tierra.

No use un adaptador.

No use un cable de extensión.

Si no se siguen estas instrucciones, se podrá producir la muerte, incendios o descargas eléctricas.

**Nunca, bajo ninguna circunstancia, corte o elimine el tercer cable (tierra) del cable de corriente. Para mantener la seguridad personal, este electrodoméstico deberá estar adecuadamente conectado a tierra.**

El cable de corriente de este electrodoméstico cuenta con un enchufe de 3 cables (conexión a tierra) que se conecta a un tomacorriente de pared estándar de 3 cables (conexión a tierra) para minimizar la posibilidad de riesgos de descargas eléctricas por parte del mismo.

Contrate a un electricista calificado para que controle el tomacorriente y el circuito eléctrico, para asegurar que el enchufe esté correctamente conectado a tierra.

En caso de contar con un tomacorriente de pared de 2 cables, es su responsabilidad y obligación reemplazarlo por un tomacorriente de pared de 3 cables correctamente conectado a tierra. No use un adaptador.

El refrigerador deberá estar siempre conectado a un enchufe específico con un índice de voltaje equivalente al que figura en su etiqueta de características técnicas.

No coloque múltiples tomacorrientes portátiles o suministros de corriente portátiles en la parte trasera del electrodoméstico.

Se requiere un suministro eléctrico con fusible y conexión a tierra de 115 voltios de CA, 60 Hz, 15 o 20 amperes. Esto garantiza el mejor funcionamiento y además previene la sobrecarga de los circuitos del hogar, lo cual podría ocasionar riesgos de incendio debido al recalentamiento de cables.

Nunca desenchufe el refrigerador tirando del cable de corriente. Siempre tome su enchufe de manera firme y empuje el mismo hacia fuera para retirarlo.

De forma inmediata, interrumpa el uso de un cable de suministro de corriente dañado. Si el cable de corriente se encuentra dañado, su reemplazo deberá ser realizado por un profesional calificado del servicio técnico, utilizando una parte del servicio técnico autorizada por el fabricante.

Al alejar el refrigerador de la pared, se deberá tener cuidado de que no ruede sobre ni dañe el cable de corriente.

## LEA Y GUARDE ESTAS INSTRUCCIONES

# INFORMACIÓN IMPORTANTE DE SEGURIDAD LEA TODAS LAS INSTRUCCIONES ANTES DE USAR ESTE ELECTRODOMÉSTICO

## FORMA ADECUADA DE DESCARTAR SU ANTIGUO ELECTRODOMÉSTICO

### **▲ADVERTENCIA** RIESGO DE SOFOCACIÓN O DE QUE LOS NIÑOS QUEDEN ATRAPADOS

Si no se siguen estas instrucciones de descarte, se podrá producir la muerte o lesiones graves.

**IMPORTANTE:** Que un niño quede atrapado y sufra asfixia no son problemas del pasado. Los refrigeradores antiguos o abandonados aún son peligrosos, incluso aunque se conserven por “sólo unos pocos días”. Si se deshará de su antiguo refrigerador, siga las siguientes instrucciones para evitar accidentes.

#### **Antes de Descartar su Antiguo Electrodoméstico:**

- Retire las puertas del Refrigerador y del Freezer.
- Deje los estantes en sus posiciones de modo que los niños no puedan trepar dentro con facilidad.

### **DESCARTE DEL REFRIGERADOR:**

Descarte o recicle el electrodoméstico de acuerdo con las Regulaciones Federales y Locales. El refrigerante inflamable y el material aislante inflamable usados requieren procedimientos de descarte especiales. Comuníquese con las autoridades locales para descartar o reciclar su electrodoméstico de forma ambientalmente segura.

## Funcionamiento de Garaje para Ubicaciones de 38°F a 110°F (3.3°C a 43.3°C)

Algunos modelos poseen equipamiento LISTO PARA GARAJE y se pueden usar en ubicaciones con temperatura ambiente de entre 38°F y 110°F (3.3°C y 43.3°C). Los controles electrónicos se ajustarán automáticamente a este rango de condiciones del ambiente para mantener la temperatura dentro del refrigerador.

### **IMPORTANTE**

Para reducir el riesgo de pérdidas de agua, se requiere la desconexión del suministro de agua en condiciones de ambiente bajas que sean inferiores a 54°F (12.2°C).

Si no se siguen estas instrucciones se podrán producir daños sobre el producto.

# LEA Y GUARDE ESTAS INSTRUCCIONES

# Funciones

No todas las funciones corresponden a todos los modelos.



Modelos con Dispensador Exterior



Modelos con Dispensador Exterior y Paredes con Luces LED

- 1 Máquina de hielo con ahorro de espacio**  
La máquina de hielo y el cesto están ubicados en la puerta, creando un espacio de almacenamiento más utilizable en el freezer.
- 2 Luz LED de exhibición**
  - Paredes con Luces LED: Dos paredes con luces LED brillantes ayudan a iluminar cada esquina de su refrigerador y freezer, permitiéndole ver todo y encontrar las cosas rápido. (Algunos modelos)
  - Iluminación LED: Encuentre rápido incluso los artículos más pequeños gracias a la iluminación LED montada a nivel, la cual emite una luz nítida en toda el área interior. (Algunos modelos)
- 3 Refrigeración con Ventilación Múltiple**  
La Torre de Aire de Refrigeración con Ventilación Múltiple fue diseñada para distribuir el aire frío de forma pareja en los compartimientos del freezer y refrigerador.
- 4 Estantes de Vidrio Ajustables**  
Almacene mayor cantidad de sus artículos altos favoritos como aquellos de dos litros y disfrute de la flexibilidad para organizar cada nivel con estantes ajustables de extremo a extremo que se extienden de pared a pared.

- 5 Compartimientos de Puerta Ajustables**  
Mueva los compartimientos de puerta transparentes hacia arriba y abajo para que se ajusten a sus necesidades – ya sea que se trate de grandes galones, botellas grandes, o artículos esenciales de uso cotidiano.
- 6 Cajón de alimentos congelados**  
Ideal para guardar productos congelados voluminosos o en bolsa, estos cajones hacen más fácil organizar y encontrar lo que necesita.
- 7 Cajón de Frutas y Vegetales**  
Mantenga las frutas y vegetales organizados en compartimientos separados para un fácil acceso.
- 8 Filtración Avanzada de Agua y Hielo**  
El filtro de agua para refrigerador incluido reduce más de 50 tipos de impurezas incluyendo plomo, cloro, microplásticos y PFOA/PFOS, brindando agua y hielo limpios y seguros.

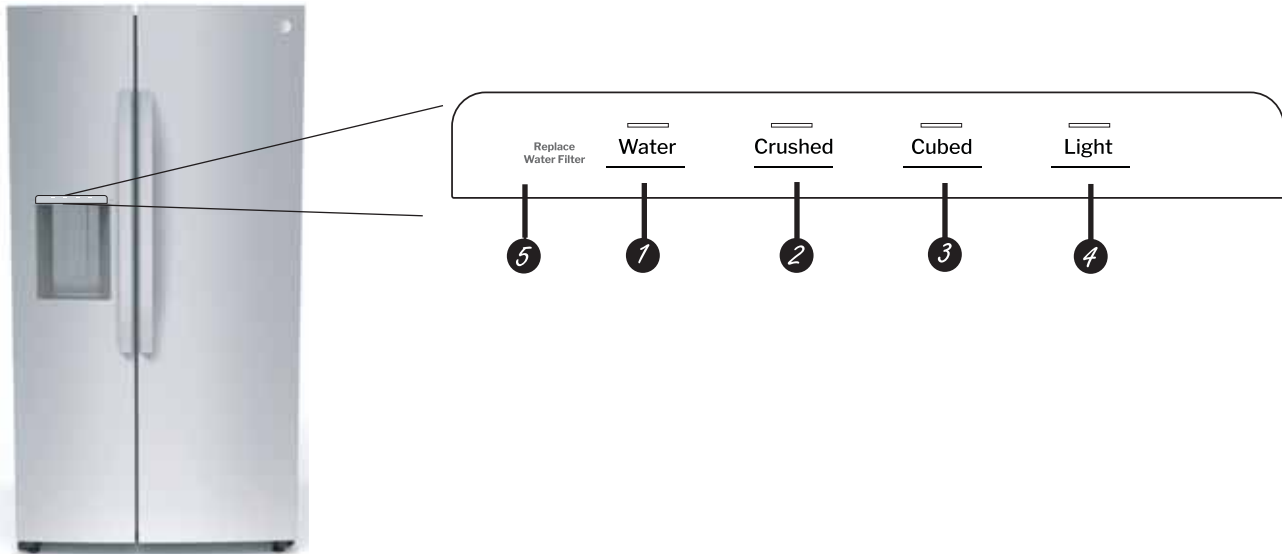
# Funciones

No todas las funciones corresponden a todos los modelos.

## CONTROLES DEL DISPENSADOR EXTERIOR DE HIELO Y AGUA

Acceda fácilmente a agua limpia y hielo filtrado desde un dispensador adicional alto, fabricado para llenar la botella de agua favorita de cada miembro de la familia.

El refrigerador se envía con una envoltura que cubre los controles. Si esta envoltura no fue retirada durante la instalación, retire la misma ahora.



- 1 Agua**  
Presione este botón para seleccionar Water (Agua) y que dispense cuando se presione la paleta.
- 2 Picado**  
Presione este botón para seleccionar Crushed Ice (Hielo Picado) y que dispense cuando se presione la paleta.
- 3 Cubos**  
Presione este botón para seleccionar Cubed Ice (Hielo en Cubos) y que dispense cuando se presione la paleta.

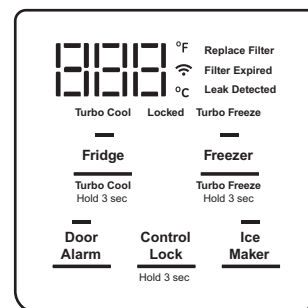
- 4 Luz**  
Presione este botón para controlar la iluminación del dispensador. Se escuchará el sonido de una campanada cada vez que se presione.
- 5 Reemplazo del Filtro de Agua**  
La luz de estado del Filtro se iluminará cuando la vida útil restante sea del 10%.

# Controles

## CONTROLES DEL REFRIGERADOR / FREEZER

El refrigerador se envía con una envoltura que cubre los controles. Si esta envoltura no fue retirada durante la instalación, retire la misma ahora.

Las configuraciones de temperatura recomendadas, preconfiguradas de fábrica, son 37°F (3°C) para el refrigerador y 0°F (-18°C) para el freezer.



### Alarma de la Puerta

Suena una alerta cuando las puertas del freezer o refrigerador se hayan dejado abiertas. Detenga la alerta presionando cualquier botón. Presione Door Alarm (Alarma de la Puerta) para activar o desactivar la misma mientras la alerta no está activa.

### Bloqueo del Control

Mantenga presionado Control Lock (Bloqueo del Control) durante 3 segundos para bloquear el dispensador de hielo / agua, botones de funciones, y controles de temperatura. Para desactivar esta función, mantenga presionado Control Lock (Bloqueo del Control) durante 3 segundos.

### Máquina de Hielo

Presione Ice Maker (Máquina de Hielo) para encender o apagar la misma.

### WiFi

Algunos modelos cuentan con la capacidad de WiFi incorporado. Simultáneamente, mantenga presionados los botones Door Alarm (Alarma de la Puerta) y Ice Maker (Máquina de Hielo) durante 3 segundos para ingresar / salir del modo de configuración conectada. Siga las instrucciones de la aplicación SmartHQ para completar el proceso. Si su modelo no está equipado con la función de WiFi incorporado, se podrá agregar un accesorio opcional (#PBX23W00Y1).

### Reemplazo del Filtro

Se iluminará cuando la vida útil restante del filtro sea del 10%.

### Congelación Turbo

Active TurboFreeze (Congelación Turbo) para restaurar rápidamente las temperaturas del freezer luego de aperturas de puerta frecuentes.

### Frío Turbo

Active TurboCool (Frío Turbo) para recuperar rápidamente la temperatura del compartimiento del refrigerador luego de aperturas de puerta frecuentes. Mantenga presionado el botón

TurboCool (Frío Turbo) durante 3 segundos para activar / desactivar esta función.

### Congelación Turbo

Active TurboFreeze (Congelación Turbo) para restaurar rápidamente las temperaturas del freezer luego de aperturas de puerta frecuentes.

### Fahrenheit / Celsius

Para alternar entre C y F, mantenga presionados los botones Freezer y Door Alarm (Alarma de la Puerta) durante 3 segundos de forma simultánea.

### Control del Volumen

Mantenga presionado el botón Door Alarm (Alarma de la Puerta). Realizará un ciclo a través de las opciones Low (Bajo), High (Alto), y Off (Apagado).

### Modo Sabático

Simultáneamente mantenga los botones Fridge (Refrigerador) y Control Lock (Bloqueo del Control) durante tres segundos para ingresar y salir del modo Sabbath (Sabático).

### Control de Temperatura del Compartimiento del Freezer

Ajusta la temperatura del compartimiento del freezer. La temperatura del freezer posee una preconfiguración de fábrica en 0°F (-18°C). Espere 24 horas hasta que la temperatura se estabilice en el ajuste de preconfiguración recomendado.

### Control de Temperatura del Compartimiento del Refrigerador

Ajusta la temperatura del compartimiento del freezer. La temperatura del refrigerador posee una preconfiguración de fábrica en 37°F (3°C). Espere 24 horas hasta que la temperatura se estabilice en el ajuste de preconfiguración recomendado.

### Pérdida Detectada

Se ilumina cuando se detecta agua fuera del filtro, lo cual indica una pérdida.

# Modo Sabático

## Modo Sabático Automático de la OU (Unión Ortodoxa) y CRC (Congreso Rabínico Central)

Este refrigerador ofrece el modo Sabbath (Sabático) OU y CRC, que cumple con los estándares establecidos por la Unión Ortodoxa (Orthodox Union), el Congreso Rabínico Central (Central Rabbinical Congress) y Halach Tech, y está 100% certificado por los más altos estándares de Halacha. Para activar el modo Sabbath (Sabático) OU y CRC, se deberá conectar al refrigerador un Conservador de Shabbos para Refrigeradores por separado. El Conservador de Shabbos se podrá adquirir a través de [zmantechnologies.com](http://zmantechnologies.com) o [geappliances.com](http://geappliances.com).

com. La única forma de activar el modo Sabbath (Sabático) OU y CRC es adquiriendo el Conservador de Shabbos para Refrigeradores. El Conservador de Shabbos se conecta a su refrigerador para activar de forma automática modos compatibles con Shabbos cada semana o antes de cada feriado. El modo apropiado se activará de forma automática en base a la fecha del calendario Judío de acuerdo a su ubicación. Cuando el Conservador de Shabbos se encuentre conectado de forma correcta al refrigerador, la pantalla mostrará Sab.



## Modo Sabático Manual

El Modo Sabático fue diseñado para el Día de Descanso Judío y Feriados. La función del Modo Sabático hace posible que aquellos judíos que siguen esta celebración puedan refrigerar y congelar comida durante todo el feriado.

La función Sabbath Mode (Modo Sabático) se podrá configurar para anular reacciones típicas sobre acciones de su electrodoméstico. Mientras se encuentre en Sabbath Mode (Modo Sabático), su refrigerador continuará funcionando normalmente. Sin embargo, el refrigerador no responderá a sus acciones.

Mientras se encuentre en Sabbath Mode (Modo Sabático), es posible que observe que el ventilador está funcionando cuando se abre la puerta; sin embargo, esto no es el resultado de sus acciones. El ventilador

funcionará en horarios predeterminados. El calentador de descongelación continuará descongelando el electrodoméstico y se activará con un temporizador. El calentador de descongelación no descongelará como resultado de las aperturas de puerta o de cualquier acción del consumidor.

### MODO SABÁTICO

**PANTALLAS, ALARMAS y LUCES** – El control principal de temperatura, alarmas de las puertas y luces estarán desactivados.

**MÁQUINA DE HIELO** - La máquina de hielo estará desactivada.

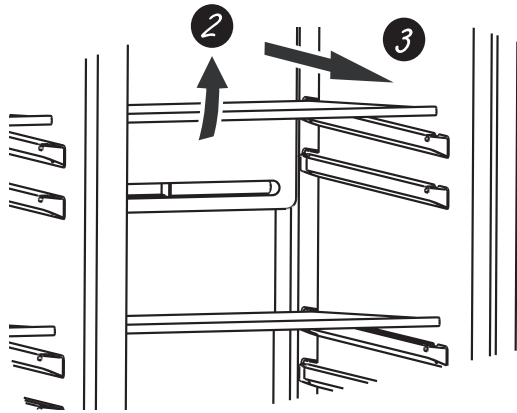
# Estantes y Compartimientos

## AJUSTE DE ESTANTES

Los estantes del compartimiento del refrigerador son ajustables.

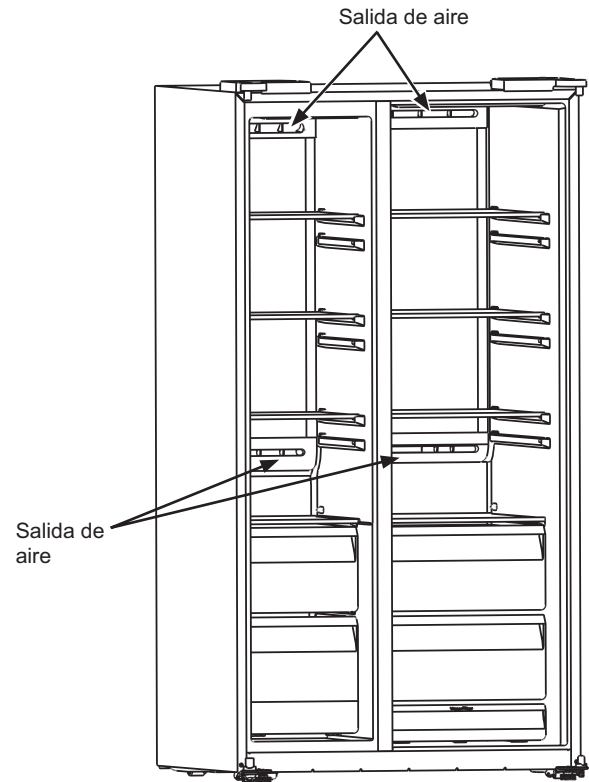
### Para retirar:

- 1 Retire todos los artículos del estante.
- 2 Inclíne el estante hacia adelante desde el frente.
- 3 Levante el estante hacia arriba desde la parte trasera y empuje el estante hacia afuera.



**NOTA:** Asegúrese de que los estantes se encuentren instalados en la orientación correcta (el lado superior hacia arriba) para que se ajusten de forma segura en su posición.

**NOTA:** El estante de vidrio inferior de cada compartimiento es levemente diferente a los estantes regulares. El estante más

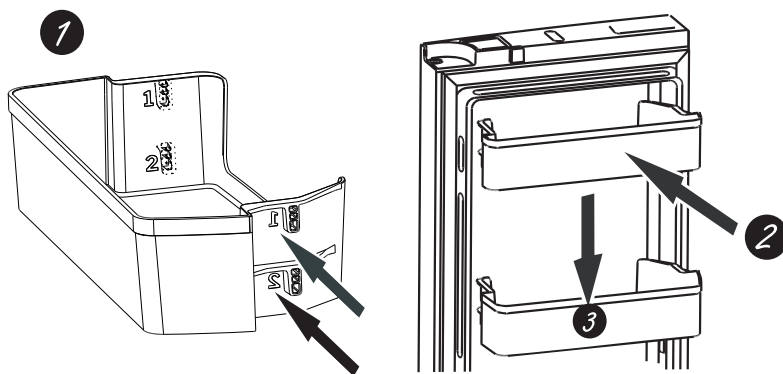


grande cuenta con una tira en el borde trasero. Estos se deberán instalar en la posición más baja.

**NOTA:** No bloquee la salida de aire colocando artículos de comida directamente contra ésta. Esto podrá hacer que las temperaturas sean inconsistentes.

## AJUSTE DE LOS COMPARTIMIENTOS DE PUERTA:

bloqueado.



### Para instalar:

- 1 Seleccione la posición del compartimiento de la puerta que desee usar – superior (1) o inferior (2).
- 2 Inserte el compartimiento de forma horizontal en la puerta interior.
- 3 Presione el compartimiento hacia abajo para que quede



# Cajones

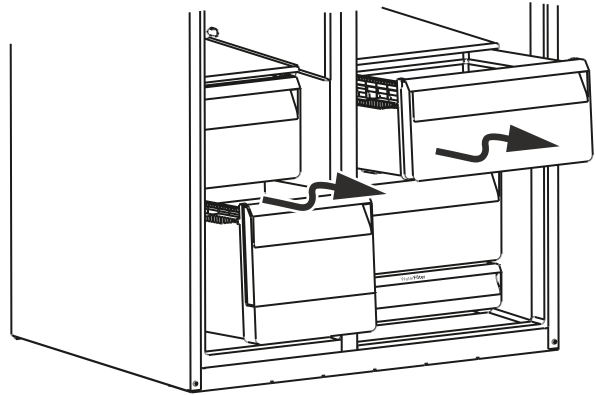
## CAJONES DE FRUTAS Y VEGETALES

Mantenga las frutas y vegetales organizados en compartimientos separados para un fácil acceso.

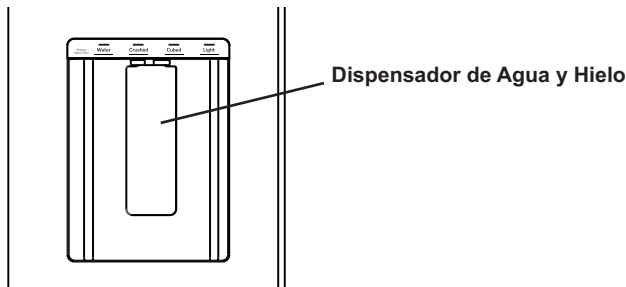
El exceso de agua que se pueda acumular en la parte inferior de los cajones o debajo de los mismos se deberá limpiar.

## RETIRO DEL CAJÓN

Los cajones se pueden retirar fácilmente, empujando hacia afuera y levantando los mismos en la ubicación de detención.



## Dispensador de Hielo y Agua (en algunos modelos)



### Hechos Importantes sobre Su Dispensador

- No agregue hielo de charolas o bolsas a la hielera de la máquina de hielo de la puerta. Es posible que no lo pique o vierta correctamente.
- Evite llenar el vaso de hielo en forma excesiva ni use vasos angostos. El hielo estancado podrá trabar el vertedor o hacer que la puerta del vertedor quede cerrada por congelación. Si el hielo bloquea el vertedor, retire la hielera y desbloquee el mismo con una cuchara de madera.
- Las bebidas y las comidas no se deberán enfriar de forma rápida en el compartimiento de la máquina de hielo de la puerta. Las latas, botellas o paquetes de comida en el cajón de almacenamiento podrán hacer que la máquina de hielo o el taladro se bloqueen.

### ⚠ ADVERTENCIA Riesgo de Laceración

- Nunca coloque los dedos o cualquier otro objeto en la abertura de descarga de la picadora de hielo. Hacer esto podrá resultar en el contacto entre los filos de la picadora de hielo y ocasionar lesiones graves o una amputación.
- Use un vidrio resistente al dispensar hielo. Un vidrio delicado se podrá romper y ocasionar lesiones personales.
- Si no se dispensa agua luego de la instalación, asegúrese de que la válvula de suministro de agua esté abierta. También podrá ser necesario despejar aire en la línea, dispensando agua durante varios minutos.
- Al realizar el primer uso, haga circular 2 galones (7.5 litros) de agua a través del dispensador (aproximadamente 5 minutos) para despejar el sistema. Podrá haber chorros de agua y se podrán visualizar burbujas de aire. Si el agua no circula, controle la instalación del filtro. Siga el mismo procedimiento que se usa para reemplazar el filtro de agua.
- Para que el hielo dispensado no caiga afuera del vaso, coloque el vaso cerca de, pero sin que tenga contacto con, la abertura del dispensador.
- Es posible que cierta cantidad de hielo picado sea dispensada incluso aunque haya seleccionado CUBED (Cubos).
- Una vez que el hielo picado sea dispensado, es posible que parte del agua gotee desde el vertedor.
- A veces se formará una pequeña cantidad de nieve en la puerta del vertedor de hielo. Esta condición es normal y generalmente sucede cuando se dispensó hielo picado en forma repetida. La nieve finalmente se evaporará.

## WiFi (en algunos modelos) (para Clientes de Estados Unidos, sus territorios, y Canadá)

---

### Conéctese a la Aplicación SmartHQ™ para desbloquear los beneficios adicionales\*

**Control & Convenience (Control y Conveniencia)** – Monitoree y controle el electrodoméstico desde cualquier lugar, reciba alertas, y optimice el uso con actualizaciones.

**Cooking & Lifestyle (Cocción y Estilo de Vida)** – Cree y planifique comidas, recetas y otras provisiones desde cualquier lugar.

**Smarter Support (Soporte Más Inteligente)** – Reciba consejos del Asistente SmartHQ™, servicios de clase mundial, y ordene fácilmente partes y accesorios.

\*Las funciones y beneficios podrán variar de acuerdo al producto.

### Descargue la Aplicación SmartHQ™

1. Escanee el código QR provisto O
2. Visite [GEAppliances.com/connect](http://GEAppliances.com/connect) desde su dispositivo móvil para descargar la aplicación.

### Configure el Electrodoméstico

- Ingrese a la Aplicación SmartHQ™.
- Si el producto no se detecta automáticamente, presione el símbolo “+” en la esquina superior derecha.
- Siga las instrucciones en pantalla para conectar el electrodoméstico.

**NOTA:** Si la unidad no posee la capacidad de Conexión a WiFi, por favor seleccione “Configuración No Conectable” y siga las instrucciones provistas para desbloquear los beneficios de SmartHQ™.

### ¿Necesita Ayuda?

Si experimenta dificultades para conectarse, llame al grupo de Soporte del Hogar Conectado (Connected Home Support) al: 1-800-220-6899 (EE.UU. Únicamente).

Este dispositivo cumple con la Parte 15 de la Normativa de la FCC. Su funcionamiento está sujeto a las dos condiciones siguientes:

1. Este dispositivo no puede ocasionar interferencias perjudiciales, y
2. Este dispositivo tolera cualquier interferencia recibida, incluidas las interferencias que puedan provocar un funcionamiento no deseado.

**AVISO:** Cualquier cambio o modificaciones no aprobadas expresamente por GE Appliances podrán anular la autoridad del usuario para utilizar el equipo.

---

## INFORMACIÓN REGULATORIA

### Declaración de Cumplimiento de la FCC/IC:

ID. de la FCC: ZKJ-294D2018 IC: 10229A-294D2018

Este dispositivo cumple con la Parte 15 de la Normativa de la FCC. Este dispositivo cuenta con un transmisor(es) / receptor(es) con exención de licencia que cumplen con la Innovación, Ciencia y Desarrollo Económico; RSS(s) con exención de licencia en Canadá. Su funcionamiento está sujeto a las dos condiciones siguientes:

1. Este dispositivo no causa interferencias perjudiciales.
2. Este dispositivo tolera cualquier interferencia recibida, incluidas las interferencias que puedan provocar un funcionamiento no deseado.

**Aviso:** Los cambios o modificaciones sobre esta unidad no aprobados expresamente por el fabricante podrán anular la autoridad del usuario para utilizar el equipo.

**Módulo de Conexión SmartHQ únicamente** (o modulo de comunicación similar)

**Exposición a RF** – Sólo se autoriza el uso de este dispositivo con una aplicación móvil. Se deberá mantener en todo momento una distancia de separación mínima de 20 cm. entre el dispositivo de **Conexión SmartHQ** y el cuerpo del usuario.

# Respuesta a la Demanda (en algunos modelos)

Este producto cuenta con capacidad WiFi y requiere de conectividad a Internet y un enrutador inalámbrico para permitir la interconexión con un Sistema de Manejo de Energía, y/o con otros dispositivos, sistemas o aplicaciones externas.

## ¿Qué es la Respuesta a la Demanda?

Algunas instalaciones varían con respecto a las tarifas eléctricas en base a la hora del día. Algunas instalaciones ofrecen programas de Demand Response (Respuesta a la Demanda), con el fin de reducir el uso de la energía durante ciertos horarios del día. Algunas instalaciones pueden ofrecer ambas cosas. Este refrigerador cuenta con la función de Respuesta a la Demanda para ayudar a controlar el consumo de energía.

## Uso de Respuesta a la Demanda sin un Programa de Servicios

La función de Respuesta a la Demanda le permite al usuario cambiar las funciones de alto consumo de energía, tales como al descongelación, en un espacio de tiempo de 4 horas. Este espacio de tiempo corresponde al pico en el uso de energía promedio. Esta función se activa o desactiva con SmartHQT™ y requiere de esta última para funcionar. No depende de los servicios locales, ni de la variación de costos de la electricidad.

## Respuesta a la Demanda con su Servicio

Si su servicio cuenta con un programa compatible con Demand Response (Respuesta a la Demanda), y usted hace uso de dicho servicio, el refrigerador podrá modificar su uso de energía en base a las instrucciones recibidas por parte del servicio. La función SmartHQT™ se podrá usar para anular el programa de Respuesta a la Demanda, si así se desea. Por favor, observe que hay muchos programas diferentes de Respuesta a la Demanda, y muchos no son compatibles con los electrodomésticos de cocina. Por favor, controle esto con su servicio local.

El nivel de respuesta a la demanda se exhibe en la aplicación móvil. El modo de carga del electrodoméstico con demora (DAL) reduce el consumo de energía, retrasando la descongelación y la producción de hielo durante 4 horas. La reducción temporaria de la carga del electrodoméstico (TALR) reduce el consumo de energía, retrasando la descongelación, la producción de hielo, y deteniendo la refrigeración durante 10 minutos.

El consumo de energía estimado es watts-horas (Wh) se reporta en la aplicación móvil.

## Instalación de Respuesta a la Demanda

Instale la función SmartHQT™ de acuerdo con las instrucciones que figuran en la página anterior. Seleccione la página de Respuesta a la Demanda, y realice la selección entre las opciones disponibles para esta función. La aplicación brinda más información sobre el funcionamiento de cada opción de Respuesta a la Demanda.

## Protocolos de Comunicación de Respuesta a la Demanda

Este refrigerador usa los siguientes protocolos estándares abiertos de IETF para la comunicación WiFi. Consulte sobre las actualizaciones más recientes del protocolo en el manual del usuario a través de Internet:

- <https://mqtt.org/mqtt-specification/>
- <http://docs.oasis-open.org/mqtt/mqtt/v3.1.1/os/mqtt-v3.1.1-os.html>

API para la respuesta a la demanda de GE Appliances:

- Escriba el estado de respuesta a la demanda (Inactivo, DAL, y TALR)
- Reciba el estado de respuesta a la demanda (Inactiva, DAL, y TALR, o Descongelación con Demora)
- Reciba el consumo de energía estimado en watts-horas.
- Reciba el evento de "Puerta Abierta"
- Reciba el evento de "Alerta de temperatura alta"
- Escriba la hora de inicio y el período de tiempo de duración de respuesta a la demanda (DAL o TALR).
- Escriba la hora de inicio y el período de tiempo de duración de respuesta a la demanda (DAL o TALR).
- Borre el horario de respuesta a la demanda (DAL o TALR).

Algunos modelos selectos usan identificación por radio frecuencia (RFID) para detectar pérdidas y monitorear el estado del filtro. La tecnología RFID está certificada por la FCC.

# Cartucho del Filtro de Agua - XWFE (on some models)

## Cartucho del filtro de Agua

El cartucho del filtro de agua se encuentra ubicado en el compartimiento de alimentos frescos en la parte inferior, detrás del panel de acceso rectangular.

## Cuándo Reemplazar el Cartucho del Filtro

El mensaje Replace Filter (Reemplace el Filtro) sobre el panel de control se iluminará cuando sea necesario reemplazar pronto el cartucho del filtro de agua. El mensaje Filter Expired (Caducó el Filtro) se iluminará cuando sea necesario reemplazar el cartucho del filtro de agua. El filtro de agua se podrá reemplazar antes si la circulación del agua al dispensador o a la máquina de hielo se reduce.

### Reemplazo del Filtro

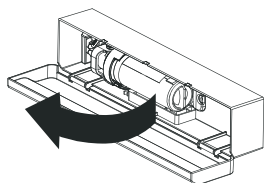
Escanee el Código QR para Ordenar un Filtro de GE Appliances Genuino



Vea este video antes de retirar el filtro de agua



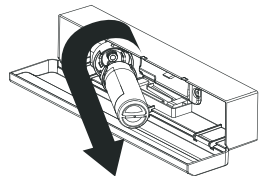
- 1. Abra la Carcasa del Filtro:** Ubique el panel de acceso al área inferior del compartimiento de alimentos frescos, debajo de los cajones. Empuje la puerta para acceder al filtro.
- 2. Incline el Filtro hacia Afuera:** Tome el filtro de forma suave y lentamente empujelo hacia afuera de manera horizontal.



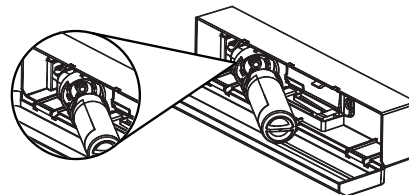
### ⚠ PRECAUCIÓN

Si quedó aire atrapado en el sistema, es posible que el cartucho sea eyectado en el momento en que se retire. Retire el mismo con cuidado.

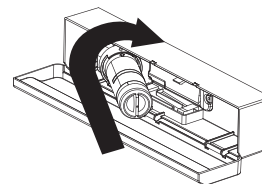
- 3. Gire para Liberar y Retirar:** Lentamente gire el filtro en sentido antihorario (izquierda) aproximadamente ¼ de giro hasta que se libere automáticamente. Es posible que gotee una pequeña cantidad de agua.



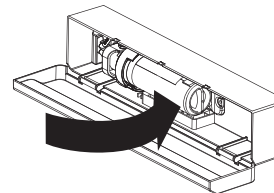
- 4. Instale el Filtro Nuevo:** Alinee los dos puertos en la parte interior del filtro nuevo con los puertos de enlace dentro del colector y de forma suave inserte el filtro.



- 5. Asegure el Filtro:** Dé ¼ de giro al filtro en sentido horario (derecha) hasta que se detenga. **NO LO AJUSTE EN EXCESO.** El filtro se ajustará sobre su posición.



- 6. Reposicione el Filtro:** Vuelva a girar el filtro sobre su posición horizontal original.



- 7. Cierre la Carcasa:** Cierre la puerta haciendo presión hasta que las lengüetas se bloqueen en sus posiciones.
- 8. Purgue el Sistema:** Haga circular 2 galones (7.5 litros) de agua a través del dispensador (aproximadamente 5 minutos) para despejar el sistema. Podrá haber chorros de agua y se podrán visualizar burbujas de aire. Si el agua no circula, controle la instalación del filtro.
- 8. Purgue el Sistema:** Haga circular 2 galones (7.5 litros) de agua a través del dispensador (aproximadamente 5 minutos) para despejar el sistema. Podrá haber chorros de agua y se podrán visualizar burbujas de aire. Si el agua no circula, controle la instalación del filtro.

Regístrese para **RECORDATORIOS DE TEXTO**, enviando **REPLACE** (Reemplazar) por mensaje de texto al **70543**.

### Pautas de Aplicación/ Suministro de Agua

Circulación del Servicio	0.5 gpm (1.89 lpm)
Suministro de Agua	Agua Potable
Presión del Agua	40-120 psi (275-827 kPa)
Temperatura del agua	33°F-100°F (0.6°C-38°C)
Capacidad	170 gallons (643.5 liters)

## Tapón de Anulación del Filtro

Para evitar pérdidas de agua y reducir el riesgo de daños sobre la propiedad, use el tapón de anulación del filtro si no dispone de un cartucho del filtro de reemplazo. Algunos modelos no vienen equipados con el tapón de anulación del filtro. Para obtener un tapón de anulación gratuito, llame

a 1.833.4BOLDWELL y solicite la parte WR17X33825. En Canadá, llame al 800.561.3344. El dispensador y la máquina de hielo no funcionarán si el filtro o el tapón de anulación no están instalados. Instale el tapón de anulación de la misma forma que un cartucho del filtro.

# Máquina de Hielo Automática

Puede llevar entre 12 y 24 horas que un refrigerador recién instalado comience a fabricar hielo.

**⚠ ADVERTENCIA** Realice la conexión a un suministro de agua potable únicamente.

Se requiere un suministro de agua fría con una presión de entre 40 y 120 psi (275 y 827 kilopascales) para usar el dispensador de agua y la máquina de hielo.

## Máquina de Hielo Automática

La máquina de hielo producirá 10 cubos por ciclo, llegando aproximadamente a entre 120 y 160 cubos en un período de 24 horas, dependiendo de la temperatura del compartimiento del freezer, temperatura del ambiente, cantidad de veces que se abra la puerta y otras condiciones de uso.

La máquina de hielo se llenará de agua cuando se enfríe y llegue a los 15°F (-10°C). Puede llevar entre 12 y 24 horas que un refrigerador recién instalado comience a fabricar cubos de hielo.

Si el refrigerador es utilizado antes de realizar la conexión de la tubería de agua a la unidad o si el suministro de agua a un refrigerador en funcionamiento se apaga, asegúrese de que la máquina de hielo esté apagada. Una vez que se haya conectado el agua al refrigerador, la máquina de hielo se podrá encender.

Para ajustar la máquina de hielo en ON/OFF (Encendido/ Apagado), presione el botón Ice Maker (Máquina de Hielo) en el panel de control.

Es posible que escuche un zumbido cada vez que la máquina de hielo se llene de agua.

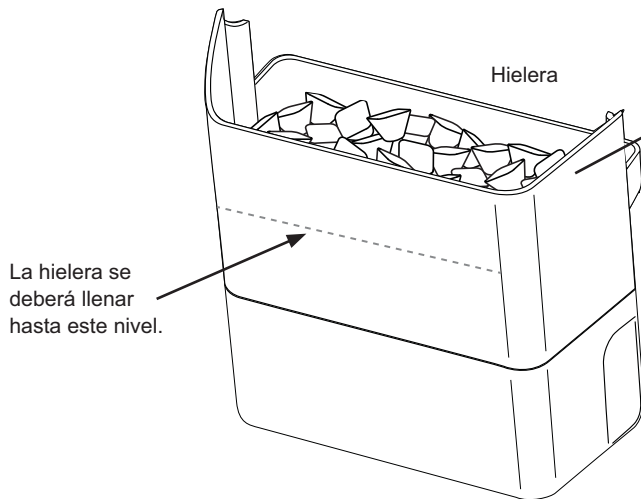
Espere 2 o 3 días hasta que la hielera se llene completamente. Descarte las primeras cantidades de hielo para permitir que el suministro de agua se despeje.

Si el hielo no se usa con frecuencia, los cubos de hielo viejos se volverán turbios, con sabor rancio y su tamaño se reducirá.

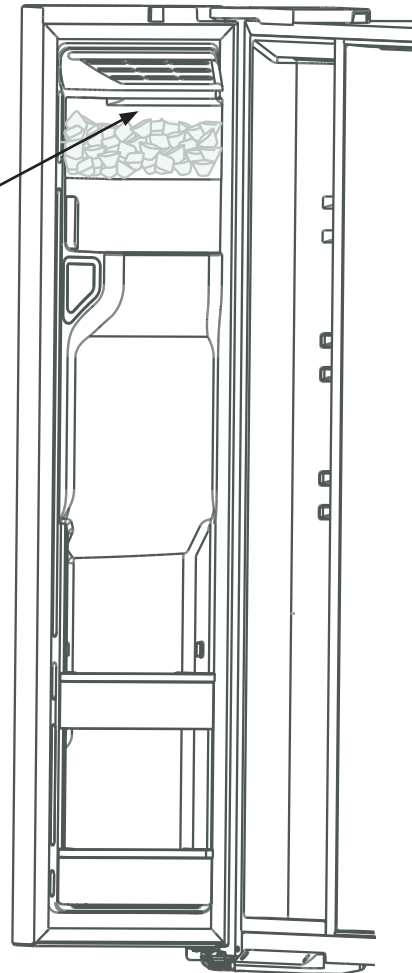
**NOTA:** En hogares con un nivel de presión inferior a la normal, es posible que escuche que la máquina de hielo realiza múltiples ciclos al producir una tanda de hielo.

**⚠ PRECAUCIÓN** Evite el contacto con las partes móviles.

No coloque los dedos ni las manos en el mecanismo automático de la máquina de hielo mientras el refrigerador esté enchufado.



Es posible que una hielera completa no se vea llena hasta la parte superior. Esto es normal y permite un mejor manejo.



# CUIDADO Y LIMPIEZA

## Limpieza de la Parte Exterior

**⚠ NO use limpiadores para acero inoxidable en las superficies de las puertas. ⚠**

**IMPORTANTE:** El uso de productos inadecuados podrá dañar el acabado exterior de los modelos de Acero Inoxidable Resistente a Huellas Dactilares. Por favor siga estas instrucciones y use sólo los artículos adecuados que figuran a continuación para limpiar las superficies de acero inoxidable.

- Limpie las superficies interiores / exteriores con agua caliente, jabón suave o detergente, y una tela suave o de microfibra para evitar daños.
- Seque las superficie del electrodoméstico con una tela suave y limpia o con una toalla de microfibra para evitar rayones o manchas de agua.

USE	NO USE								
Telas suaves y limpias o esponjas con tela de microfibra	Telas adherentes, toallas de papel, esponjas abrasivas (con o sin jabón), almohadillas de estropajo o lana de acero								
Detergente suave mezclado con agua caliente	<table border="0"> <tr> <td>Polvos, líquidos o espráis abrasivos</td> <td>Limpiadores de horno</td> </tr> <tr> <td>Espráis, amoníacos o blanqueadores para ventanas</td> <td>Limpiadores alcalinos</td> </tr> <tr> <td>Limpiadores a base de cítrico o aceite vegetal</td> <td>Limpiadores para acero inoxidable</td> </tr> <tr> <td>Limpiadores a base de ácidos o vinagre</td> <td></td> </tr> </table>	Polvos, líquidos o espráis abrasivos	Limpiadores de horno	Espráis, amoníacos o blanqueadores para ventanas	Limpiadores alcalinos	Limpiadores a base de cítrico o aceite vegetal	Limpiadores para acero inoxidable	Limpiadores a base de ácidos o vinagre	
Polvos, líquidos o espráis abrasivos	Limpiadores de horno								
Espráis, amoníacos o blanqueadores para ventanas	Limpiadores alcalinos								
Limpiadores a base de cítrico o aceite vegetal	Limpiadores para acero inoxidable								
Limpiadores a base de ácidos o vinagre									

## Limpieza de la Parte Interior

Para evitar olores, deje abierta una caja de bicarbonato de sodio en los compartimientos del refrigerador y freezer.

### Desenchufe el refrigerador antes de limpiar.

Si esto no resulta práctico, estruje el exceso de humedad para eliminarlo de la esponja o tela al limpiar alrededor de los interruptores, luces o controles. Use agua caliente y solución de bicarbonato de sodio — aproximadamente una cucharada sopera (15 ml) de bicarbonato de sodio para un cuarto de galón (1 litro) de agua. Esto limpia y neutraliza los olores. Enjuague y seque.

### **⚠ PRECAUCIÓN**

No limpie los estantes de vidrio ni tapas con agua caliente cuando estén fríos. Los estantes de vidrio y las tapas se podrán romper si son expuestos a cambios de temperatura repentinos o impactos tales como sacudones o caídas. El vidrio templado está diseñado para destruirse en pequeñas piezas en caso de rotura. No lave ninguna parte plástica del refrigerador en el lavavajillas.

## DETRÁS DEL REFRIGERADOR

Tenga cuidado al alejar el refrigerador de la pared. Cualquier tipo de cobertura de piso podrá sufrir daños, particularmente las coberturas acolchonadas y aquellas con superficies con relieves.

Levante las patas niveladoras ubicadas en la parte frontal interior del refrigerador.

Empuje el refrigerador derecho hacia afuera y regrese el mismo a su posición empujándolo hacia adentro. Mover el refrigerador hacia una ubicación lateral podrá ocasionar daños sobre la cobertura del piso o el refrigerador.

Baje las patas niveladoras hasta que la carcasa quede nivelada. Consulte el Paso 4 en las instrucciones de instalación.

### **⚠️ ADVERTENCIA** **RIESGO DE DESCARGA ELÉCTRICA**

Al volver a empujar el refrigerador, asegúrese de que no atraviese el cable de corriente ni la tubería de suministro de agua.

Si estará de vacaciones o ausente por tiempo prolongado, retire la comida y desenchufe el refrigerador. Limpie el interior con una solución de bicarbonato de sodio, aplicando una cuchara sopera (15 ml) de bicarbonato de sodio para un cuarto de galón (1 litro) de agua. Deje las puertas abiertas.

Si la temperatura puede llegar a estar por debajo del nivel de congelación, solicítele a un técnico calificado que drene el sistema de suministro de agua para prevenir daños graves como consecuencia de una inundación.

1. Apague el refrigerador (consulte sobre los **CONTROLES**, página 8) o desenchufe el refrigerador.
2. Vacíe la hielera.
3. Cierre el suministro de agua.

Si cierra el suministro de agua, apague la máquina de hielo.

Al regresar de sus vacaciones:

1. Vuelva a colocar del filtro de agua.
2. Al realizar el primer uso, haga circular 2 galones (7.5 litros) de agua a través del dispensador (aproximadamente 5 minutos) para despejar el sistema. Podrá haber chorros de agua y se podrán visualizar burbujas de aire. Si el agua no circula, controle la instalación del filtro. Siga el mismo procedimiento que se usa para reemplazar el filtro de agua.

## PREPARACIÓN PARA MUDANZA

Asegure todos los artículos tales como estantes y cajones, pegando los mismos de forma segura en sus respectivos lugares para evitar daños.

Al usar un carro manual para mover el refrigerador, no deje que la parte frontal ni la parte trasera descansen contra el carro

manual. Esto podría dañar el refrigerador.

Traslade el refrigerador sólo desde los laterales.

Asegúrese de que el refrigerador permanezca en una posición erguida durante el movimiento.

## LUCES DEL REFRIGERADOR (LEDS)

La estética podrá variar de acuerdo al modelo.

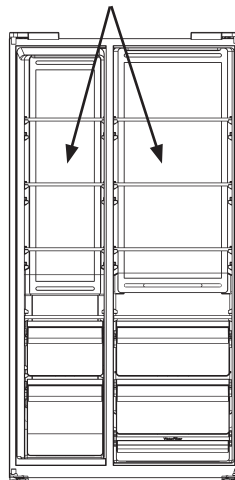
Hay una luz LED en la parte superior frontal del compartimiento del freezer y en el compartimiento del refrigerador.

Algunos modelos poseen una pared con luz LED en la parte trasera de los compartimientos.

Las luces LED deberán ser reemplazadas por un técnico autorizado.

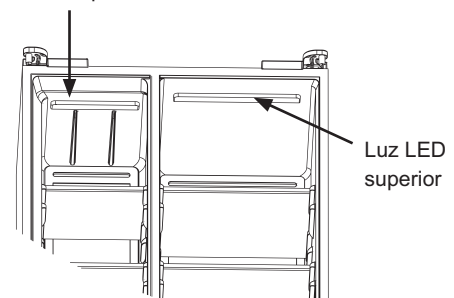
En caso de ser necesario el reemplazo de este ensamble, visite [GEAppliances.com/service](http://GEAppliances.com/service) o llame al 1.833.4BODEWELL. En Canadá, visite [GEAppliances.ca/service](http://GEAppliances.ca/service) o llame al 800.561.3344.

Pared de luces LED



Algunos modelos

Luz LED superior



Todos los modelos

# Instrucciones de Instalación

# Modelos de Refrigeradores GSS/GSE

¿Preguntas? Llame al 1.833.4BODEWELL o visite nuestro sitio web en: GEAppliances.com. En Canadá, llame al 1.800.561.3344 o visite nuestro sitio web en: GEAppliances.ca

## ANTES DE COMENZAR

Lea estas instrucciones en su totalidad y atentamente.

- **IMPORTANTE** — Guarde estas instrucciones para uso del inspector local.
- **IMPORTANTE** - Cumpla con todos los códigos y ordenanzas gubernamentales.
- **Nota para el Instalador** – Asegúrese de que el Comprador guarde estas instrucciones.
- **Nota para el Comprador** – Guarde estas instrucciones para referencia futura.
- **Nivel de habilidad** – La instalación de este electrodoméstico requiere un nivel básico de habilidades mecánicas.
- **Tiempo de Instalación** – Instalación del Refrigerador: 30 minutos. Instalación de la Tubería de Agua: 30 minutos.
- La correcta instalación del producto es responsabilidad del instalador.
- Si se producen fallas en el producto debido a una instalación inadecuada, la Garantía no cubrirá las mismas.

Si el refrigerador ya fue instalado, retire la parrilla de la base (consulte el Paso 2 sobre Cómo Mover el Refrigerador), luego consulte el Paso 5 sobre Cómo Instalar el Refrigerador.

## PREPARACIÓN

### TRASLADO DEL REFRIGERADOR EN UN ESPACIO INTERIOR

En caso de que el refrigerador no pase por una entrada, se podrán retirar las puertas del mismo.

- Para retirar las puertas del refrigerador, consulte la sección sobre Instalación del Refrigerador.

### SUMINISTRO DE AGUA A LA MAQUINA DE HIELO Y AL DISPENSADOR

Si el refrigerador cuenta con una máquina de hielo, ésta se deberá conectar al suministro de agua fría. Un kit de suministro de agua de GE Appliances (que contiene una tubería, válvula de cierre, uniones e instrucciones) está disponible por un costo adicional a través de su vendedor minorista, visitando nuestro sitio web en GEAppliances.com (en Canadá en www.GEAppliances.ca) o en Parts and Accessories (Piezas y Accesorios), 888.959.8688 (en Canadá 1.800.661.1616).

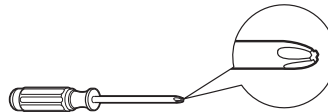
## HERRAMIENTAS QUE PODRÁ NECESITAR



Llave Ajustable



Llave Hexagonal o Destornillador Hexagonal de 1/8"



Destornillador Phillips



Llave de 7/16"



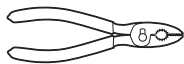
Nivel



Lápiz



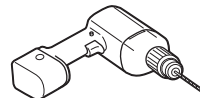
Llave de Tuercas de 1/4"



Pliers



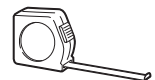
Destornillador con cabeza plana



Broca y Taladro Eléctrico o Manual de 1/8"



Llave de Tuercas de 5/16"



Cinta métrica

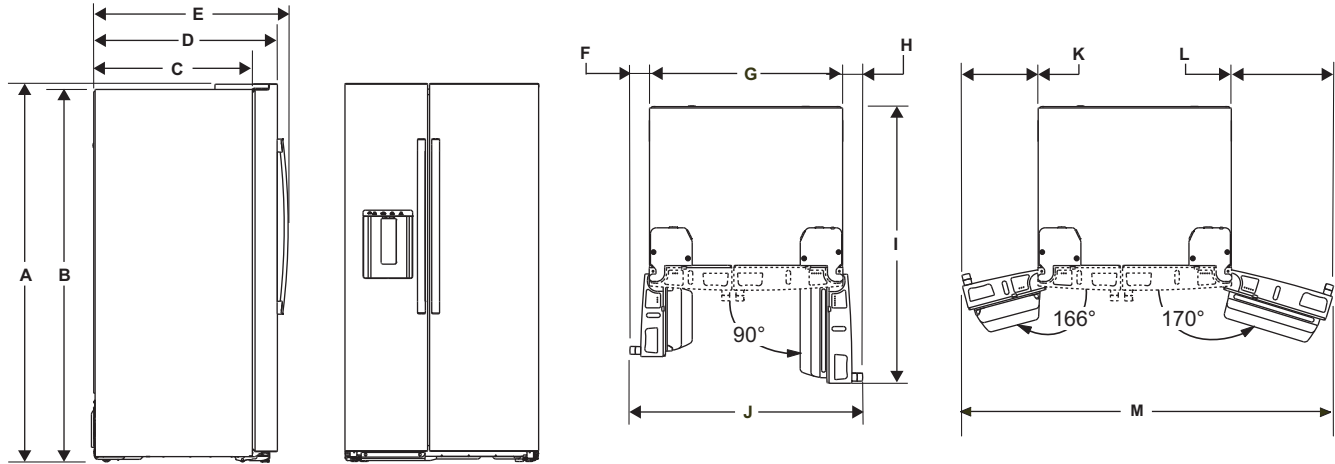
# INSTRUCCIONES DE INSTALACIÓN

## DIMENSIONES

**NOTA:** Se recomienda que el piso esté protegido por una cobertura plástica a través del proceso de instalación.

**NOTA:** No recomendado para la instalación en pisos alfombrados.

### Modelos de Manija GE Appliances



Dimensión	Profundidad Estándar de 33"		Profundidad Estándar de 36"		Profundidad de Encimera de 36"	
	Inches	mm	Inches	mm	Inches	mm
(A) Altura hasta la Parte Superior de la Bisagra con las Patas Retraídas	69 15/16	1776	69 15/16	1776	69 15/16	1776
(B) Altura hasta la Parte Superior de la Carcasa con las Patas Retraídas	68 15/16	1751	68 15/16	1751	68 15/16	1751
(C) Profundidad de Carcasa, sin Puertas	29 7/16	748	29 7/16	748	25 1/16	637
(D) Profundidad de la Carcasa, con Puertas, sin Manijas de Puertas	34	864	34	864	29 5/8	752
(E) Profundidad de la Carcasa, con Puertas y Manijas	36	914	36	914	31 5/8	803
(F) Espacio Libre desde el Lateral de la Carcasa hasta la Pared Adyacente con la Puerta FZ Abierta a 90°	3 11/16	94	3 11/16	94	3 11/16	94
(G) Ancho de la Carcasa	32 3/4	832	35 3/4	908	35 3/4	908
(H) Espacio Libre desde el Lateral de la Carcasa hasta la Pared Adyacente con la Puerta FF Abierta a 90°	3 3/4	95	3 3/4	95	3 3/4	95
(I) Profundidad Total con la Puerta FF Abierta a 90°	48 1/4	1226	51 1/4	1302	46 7/8	1191
(J) Ancho con Puertas y Manijas, con las Puertas Abiertas a 90°	40 1/8	1019	43 1/8	1095	43 1/8	1095
(K) Espacio Libre desde el Lateral de la Carcasa hasta la Pared Adyacente con la Puerta FZ Completamente Abierta	14 1/8	359	14 1/8	359	14 1/8	359
(L) Espacio Libre desde el Lateral de la Carcasa hasta la Pared Adyacente con la Puerta FF Completamente Abierta	16	406	19	483	19	483
(M) Ancho con Puertas y Manijas, con las Puertas Completamente Abiertas	62 13/16	1595	68 13/16	1748	68 13/16	1748

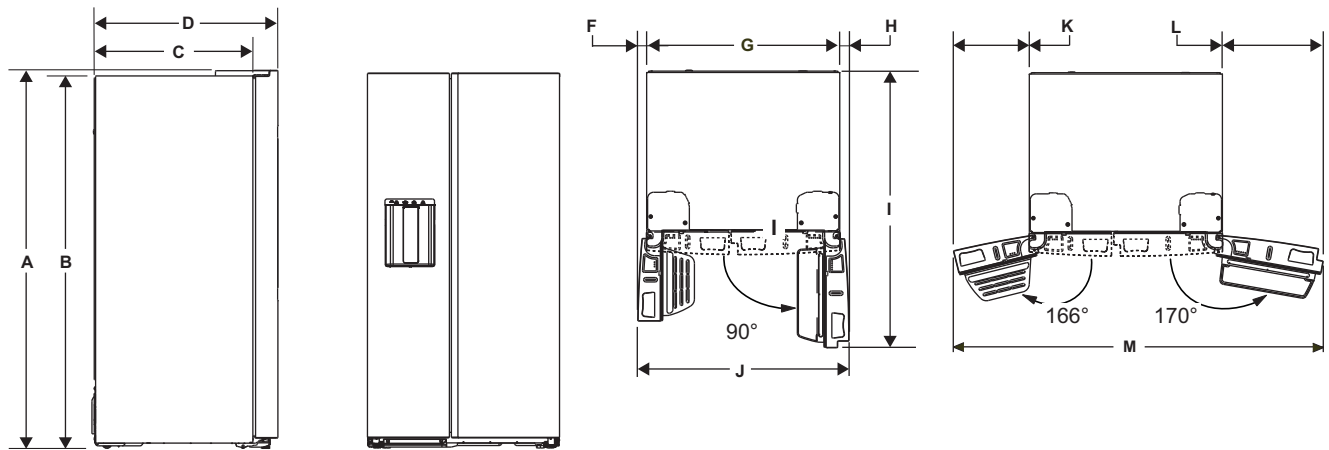
# Instrucciones de Instalación

## DIMENSIONES

**NOTA:** Se recomienda que el piso esté protegido por una cobertura plástica a través del proceso de instalación.

**NOTA:** No recomendado para la instalación en pisos alfombrados.

### Modelos con Manija Integrada de GE Appliances / Profile



Dimensión	Profundidad Estándar de 36"		Profundidad de Encimera de 36"	
	Inches	mm	Inches	mm
(A) Altura hasta la Parte Superior de la Bisagra con las Patas Retraídas	69 15/16	1776	69 15/16	1776
(B) Altura hasta la Parte Superior de la Carcasa con las Patas Retraídas	68 15/16	1751	68 15/16	1751
(C) Profundidad de la Carcasa, sin Puertas	29 7/16	748	25 1/16	637
(D) Profundidad de la Carcasa, con Puertas y Manijas Integradas	34	864	29 5/8	752
(F) Espacio Libre desde el Lateral de la Carcasa hasta la Pared Adyacente con la Puerta FZ Abierta a 90°	1 11/16	42	1 11/16	42
(G) Ancho de la Carcasa	35 3/4	908	35 3/4	908
(H) Espacio Libre desde el Lateral de la Carcasa hasta la Pared Adyacente con la Puerta FF Abierta a 90°	1 3/4	44	1 3/4	44
(I) Profundidad Total con la Puerta FF Abierta a 90°	51 1/4	1302	46 7/8	1191
(J) Ancho con Puertas, con las Puertas Abiertas a 90°	39 1/8	994	39 1/8	994
(K) Espacio Libre desde el Lateral de la Carcasa hasta la Pared Adyacente con la Puerta FZ Completamente Abierta	13 7/8	353	13 7/8	353
(L) Espacio Libre desde el Lateral de la Carcasa hasta la Pared Adyacente con la Puerta FF Completamente Abierta	18 11/16	474	18 11/16	474
(M) Ancho con Puertas, con las Puertas Completamente Abiertas	68 7/16	1738	68 7/16	1738

## TRASLADO DEL REFRIGERADOR

- Usando el cuadro de las páginas 19 y 20, determine si el ancho de su pasillo es suficiente para la profundidad del refrigerador. Asegúrese de contar con espacio para evitar daños sobre el refrigerador antes de trasladarlo de forma segura hasta su ubicación final.
- Si los pasillos son lo suficientemente grandes como para ubicar el refrigerador sin retirar las puertas, vaya a los Pasos 2 a 8. Deje la cinta, envoltura y todo el embalaje en las puertas hasta que el refrigerador se encuentre en la ubicación final.
- **NOTA:** Use un carro manual con almohadillas o correas móviles para trasladar el refrigerador. Coloque el refrigerador en el carro manual, apoyando un costado contra este último. Recomendamos enfáticamente que dos personas realicen el traslado y completen la instalación.

## UBICACIÓN DEL REFRIGERADOR

- Para reducir el riesgo de pérdidas de agua, se requiere la desconexión del suministro de agua en condiciones de ambiente bajas que sean inferiores a 54°F (12.2°C). Si no se cumple con esto, se podrán producir daños sobre el producto.
- Algunos modelos poseen equipamiento LISTO PARA GARAJE y se pueden usar en ubicaciones con temperatura ambiente de entre 38°F – 110°F (3.3°C – 43.3°C). Los controles electrónicos se ajustarán automáticamente a este rango de condiciones del ambiente para mantener la temperatura dentro del refrigerador.
- No instale el refrigerador en una ubicación expuesta al agua (lluvia, etc.) o en contacto directo con la luz solar.
- Instale el mismo en un piso lo suficientemente fuerte como para soportarlo completamente cargado.

## ESPACIOS LIBRES

Deje los siguientes espacios para facilitar la instalación, una adecuada circulación de aire y plomería y conexiones eléctricas.

Laterales 1/8" (3 mm)

Parte Superior 1" (25 mm)

Parte Trasera 2" (50 mm)

## RETIRO DE LAS PUERTAS DEL REFRIGERADOR

- **NOTA IMPORTANTE:** Use los cuadros de las páginas previas para determinar si el ancho del pasillo puede ubicar la profundidad del refrigerador mientras lo traslada hasta la ubicación de la instalación. Si los pasillos poseen una profundidad inferior a aquella del refrigerador, las puertas se podrán rayar o dañar. Si los pasillos poseen una profundidad inferior a aquella del refrigerador, vaya al Paso 2 para retirar las puertas.
- Si no es necesario retirar las puertas, traslade el refrigerador hasta su ubicación final, Paso 1. Deje toda la cinta y embalaje en las puertas hasta que el refrigerador se encuentre en su ubicación final.
- **NOTA:** Use un carro manual con almohadillas para trasladar el refrigerador. Coloque el refrigerador en el carro manual, apoyando un lateral contra este último. Recomendamos enfáticamente que DOS PERSONAS realicen el traslado y completen la instalación.

# Instrucciones de Instalación

## TRASLADO DEL REFRIGERADOR

### **⚠ PRECAUCIÓN** Riesgo al levantar la puerta.

Si es levantada por una sola persona, se podrán sufrir lesiones. Solicite ayuda al sostener, mover o levantar las puertas del refrigerador.

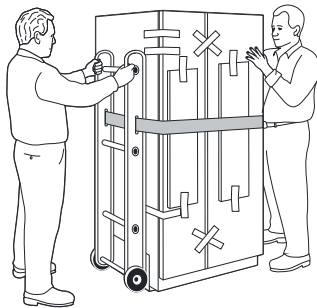
**NOTA:** Al mover la puerta, para evitar daños sobre ésta y sobre la parte electrónica coloque con cuidado la misma en una ubicación adecuada.

**⚠ ADVERTENCIA** Para reducir el riesgo de descargas eléctricas o lesiones durante la instalación, se deberá primero desenchufar el refrigerador antes de proceder. Si no se siguen estas instrucciones se podrá producir una descarga eléctrica.

### **1** CARGA DEL REFRIGERADOR EN UN CARRO MANUAL

Use el carro manual con almohadillas MANTENIENDO LA CINTA Y ALMOHADILLAS DE LAS PUERTAS COLOCADAS hasta que el refrigerador esté en su ubicación final.

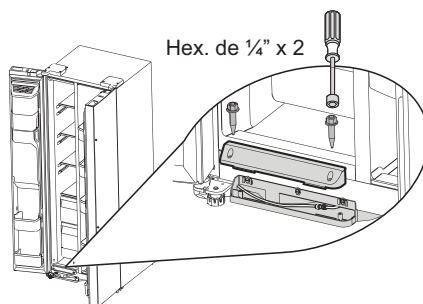
Realice el traslado sólo desde el lateral del refrigerador, centrado en el carro manual, y evite ajustar la cuerda de forma excesiva.



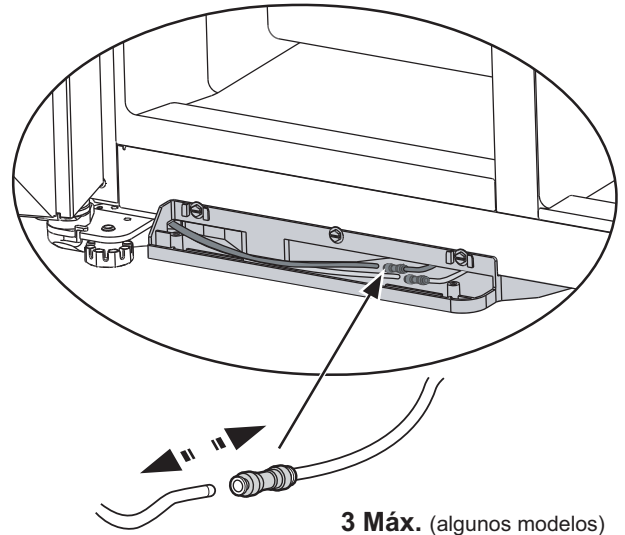
### **2** RETIRE LAS PUERTAS

SÓLO SI ES NECESARIO, retire las puertas para transportar el refrigerador hasta su ubicación final.

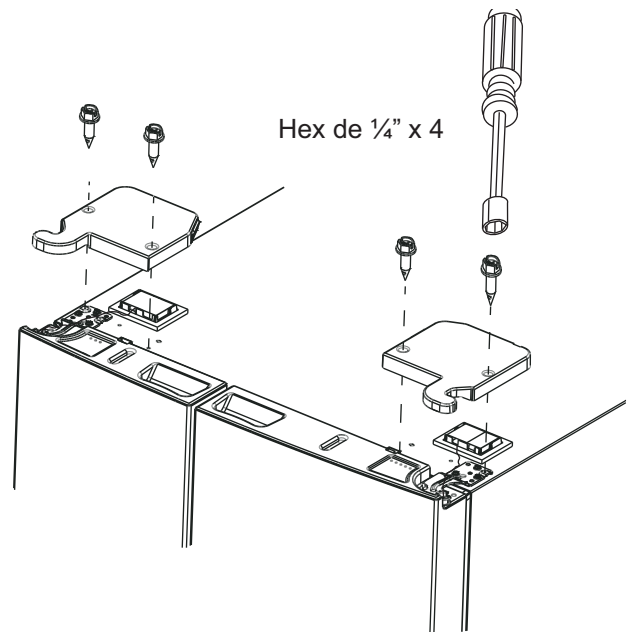
Retire los Tornillos y la Tapa Superior de la Carcasa de Acoplamiento.



### **3** DESCONECTE EL ACOPLAMIENTO DEL AGUA



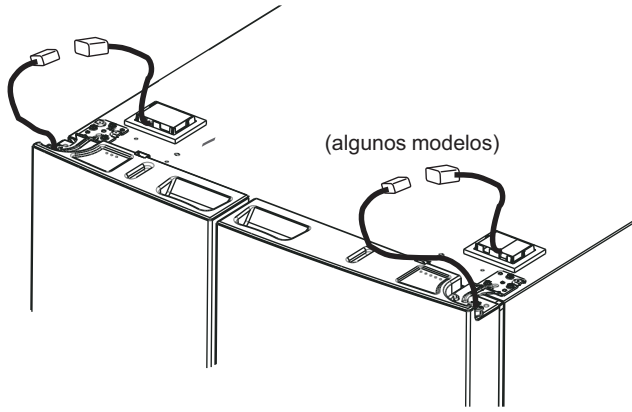
### **4** RETIRE LOS TORNILLOS Y LAS TAPAS DE LAS BISAGRAS



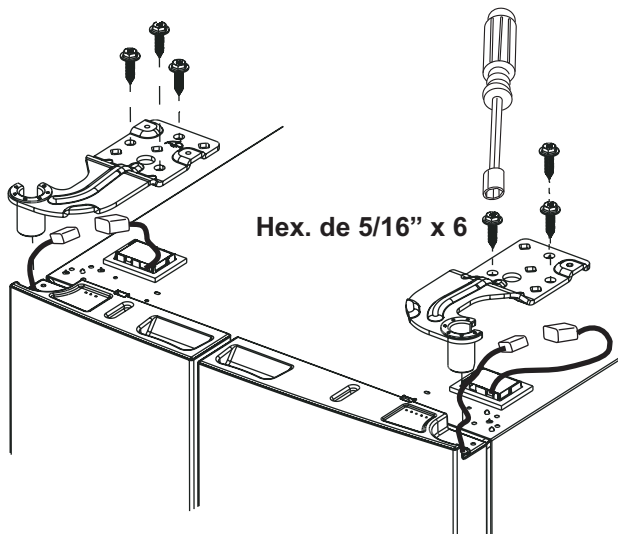
# Instrucciones de Instalación

## TRASLADO DEL REFRIGERADOR (Cont.)

### 5 DESCONECTE LOS CONECTORES CABLEADOS



### 6 RETIRE LOS TORNILLOS DE LAS BISAGRAS SUPERIORES



Torque de instalación de tornillos recomendada:  
Entre 30 y 35 pulgadas-libras

### 7 RETIRE LAS PUERTAS DEL REFRIGERADOR (Cont.)

- Levante la puerta hacia arriba y afuera de las bisagras inferiores.
- Con cuidado, apoye la puerta a un costado.

### 8 VUELV A A COLOCAR LA PUERTA

#### ⚠ ADVERTENCIA

Siga todos los pasos para retirar y volver a instalar las puertas. Si no se siguen estas instrucciones, dejando partes sin uso o ajustando tornillos en exceso, esto podrá hacer que las puertas se caigan y producir lesiones y daños sobre la propiedad.

Para volver a instalar las puertas, simplemente invierta los pasos de 2 a 7.

Sin embargo, por favor tenga en cuenta lo siguiente:

- Al bajar la puerta sobre las bisagras inferiores, asegúrese de que una segunda persona guíe con cuidado las tuberías de agua a través de la bisagra inferior izquierda para evitar torceduras o daños.
- Al conectar la tubería de agua, asegúrese de hacer coincidir los colores de forma correcta durante la reconexión.
- No pellizque la tubería al colocar las puertas sobre las bisagras inferiores.
- Dirija los conductores eléctricos a través de las bisagras superiores sin que se generen pellizcos.
- Al reconectar los conectores con arnés, asegúrese de que los conectores estén apoyados completamente juntos.
- Asegúrese de que todos los tornillos de las bisagras estén correctamente ajustados.

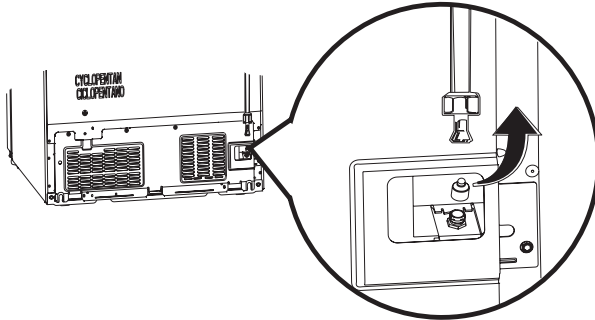


1. Dirija el arnés a través de la ranura de la bisagra superior.
2. Presione el arnés en los sujetadores sobre la tapa de la bisagra.
3. Coloque los conectores en esta caja plástica blanca sobre la parte superior de la unidad.

# Instrucciones de Instalación

## INSTALACIÓN DEL REFRIGERADOR

### 1 CONECTE EL SUMINISTRO DE AGUA DE LA CASA



Se requiere un suministro de agua fría para el funcionamiento de la máquina de hielo automática. Si no se cuenta con un suministro de agua fría, deberá proveer uno. Consulte la sección sobre Instalación de la Tubería de Agua.

#### NOTAS:

- Antes de realizar la conexión al refrigerador, asegúrese de que el cable de corriente del mismo no se encuentre enchufado al tomacorriente.
  - Si el refrigerador no cuenta con un filtro de agua, le recomendamos que instale uno si el suministro de agua posee arena o partículas que podrían atascar la rejilla de la válvula de agua del refrigerador. Instale el mismo en la tubería de agua más cercana al refrigerador. Si usará el Kit de Tuberías para Refrigeradores de SmartConnect™, necesitará una tubería adicional (WX08X10002) para realizar la conexión al filtro. No corte la tubería de plástico para instalar el filtro.
  - Antes de conectar la tubería de agua a la casa, purgue la tubería de la casa durante por lo menos 2 minutos.
1. Si usará una tubería de cobre, coloque una tuerca de compresión y una abrazadera de refuerzo (manga) en el extremo de la tubería proveniente del suministro de agua fría de la casa. Si usará la tubería de SmartConnect™, las tuercas ya están ensambladas en la tubería.
  2. Si usará tuberías de cobre, inserte el extremo de la tubería en la conexión del refrigerador, en la parte trasera del refrigerador, lo más lejos posible. Al sostener la tubería, ajuste la unión. Si usará tuberías de SmartConnect™, inserte el extremo moldeado de la tubería en la conexión del refrigerador, en la parte trasera del refrigerador, y ajuste la tuerca de compresión hasta que quede ajustada manualmente. Luego realice un ajuste adicional con un giro de llave. Ajustar en exceso podrá ocasionar pérdidas.

**⚠ ADVERTENCIA REALICE LA CONEXIÓN AL SUMINISTRO DE AGUA CORRIENTE ÚNICAMENTE.**

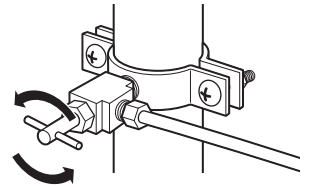
Se requiere un suministro de agua fría con una presión de entre 40 y 120 psi (172 y 827 kilopascales) para usar el dispensador de agua y la máquina de hielo.

Escanee el Código QR para ver el video antes de realizar la conexión de la tubería de agua.



### 2 ABRA EL SUMINISTRO DE AGUA

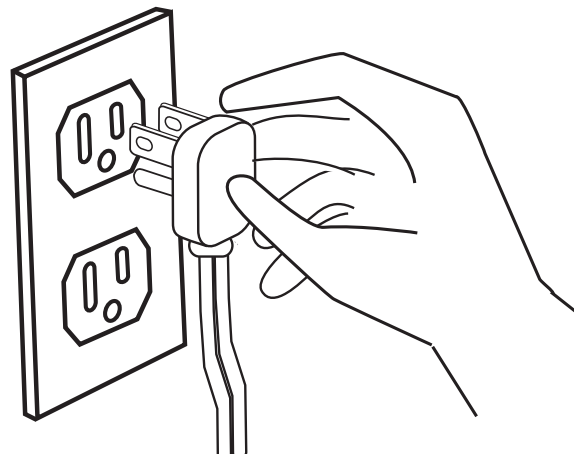
Abra el suministro de agua usando la válvula de cierre (suministro de agua hogareño) y controle que no haya pérdidas.



### 3 ENCHUFE EL REFRIGERADOR

Acomode la bobina de la tubería de modo que no vibre contra la parte trasera del refrigerador o contra la pared. Presione el refrigerador contra la pared.

La longitud máxima del cable de corriente es de 70 pulgadas (1778 mm).

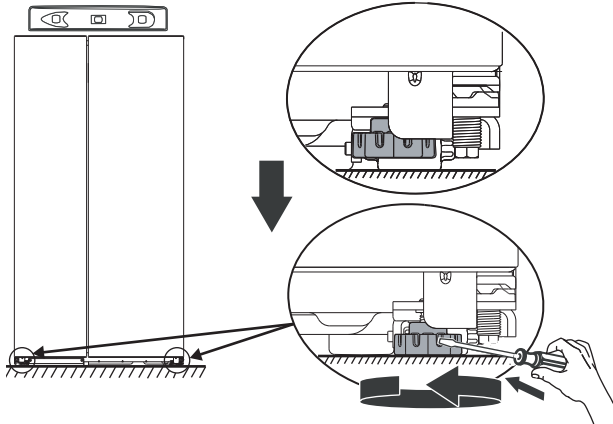


# Instrucciones de Instalación

## INSTALACIÓN DEL REFRIGERADOR (Cont.)

### 4 NIVELE EL REFRIGERADOR

El refrigerador se podrá nivelar ajustando las patas niveladoras ubicadas cerca de las bisagras inferiores. Las patas niveladoras cumplen dos propósitos:

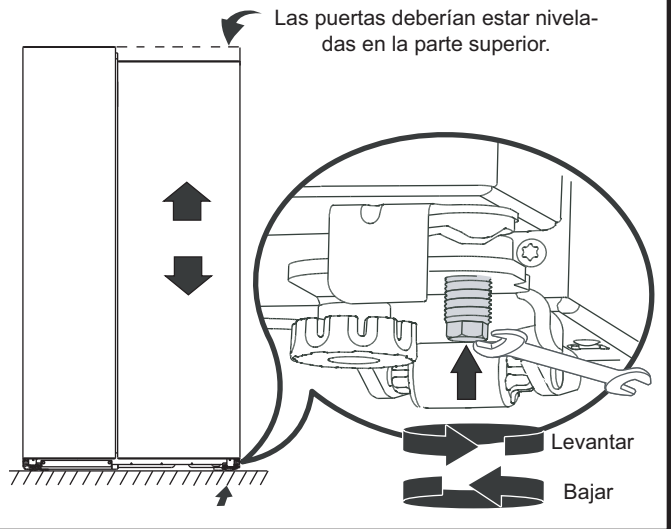


- Las patas niveladoras se ajustan para que la puerta se cierre con facilidad al estar abierta hasta la mitad. (Eleve el frente aproximadamente 5/8" [16 mm] desde el piso).
- Las patas niveladoras se ajustan de modo que el refrigerador quede posicionado de manera firme en el piso y no se tambalee.

### 5 ALINEACIÓN CON EL PISO

1. Ajuste la puerta del refrigerador para que las puertas queden niveladas en la parte superior.
2. Para alinear: Usando una llave de 7/16", gire el tornillo de ajuste de la puerta hacia la derecha para levantar la puerta y hacia la izquierda para bajarla.

Luego de uno o dos giros de llave, abra y cierre la puerta del refrigerador y controle la alineación en la parte superior de las puertas.



Escanee el Código QR para ver el video antes de nivelar el refrigerador y alinear las puertas.

# Instrucciones de Instalación

## INSTALACIÓN DEL REFRIGERADOR (Cont.)

### 6 INSTALACIÓN DE LAS MANIJAS DEL REFRIGERADOR Y FREEZER

#### ⚠ ADVERTENCIA



Siga las instrucciones para una instalación correcta.

Una instalación inadecuada de las manijas podrá hacer que éstas se desprendan. Una manija que se desprende durante el uso podrá hacer que el usuario pierda el equilibrio y crear riesgos de caída.

#### Antes de Comenzar...

- Para evitar lesiones, use un calzado cerrado en la parte de los dedos de los pies al instalar las manijas.
- Al instalar la manija, tome la misma de manera firme para asegurar que no caiga ni raye el acabado del electrodoméstico.
- **IMPORTANTE:** Para asegurarse de que las manijas se encuentren instaladas de forma precisa, por favor revise las instrucciones y gráficos antes de comenzar con la instalación.
- **IMPORTANTE:** No use herramientas eléctricas para ajustar los tornillos de sujeción.

#### Partes Incluidas:

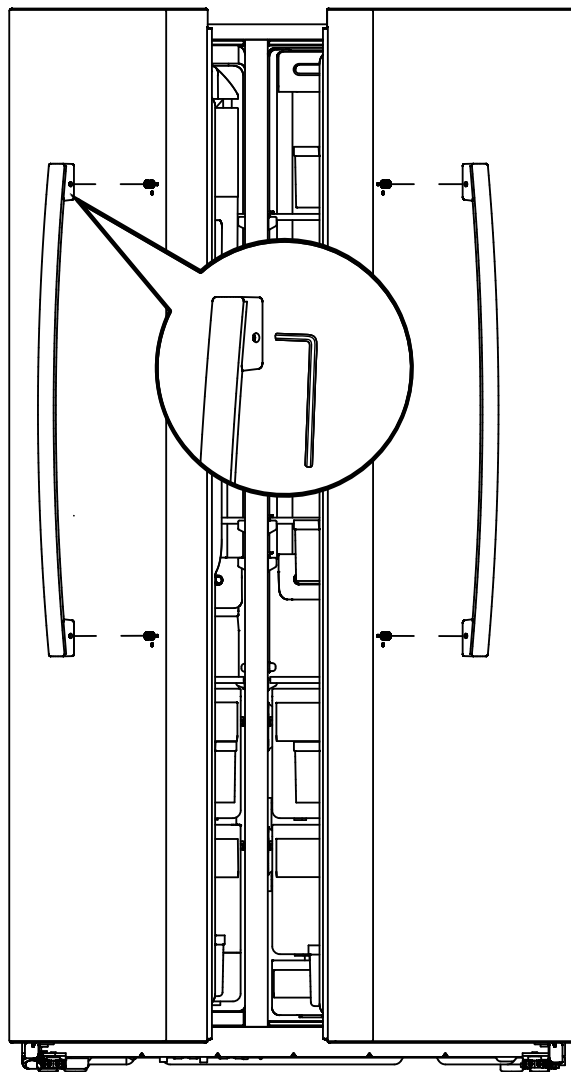
- 2 Manijas (conjunto de tornillos preensamblados)
- Llave hexagonal de 1/8"

La estética de las manijas podrá variar de acuerdo al modelo; sin embargo, el proceso de instalación es el mismo.

1. Retire cualquier película protectora de las partes frontales de la puerta antes de instalar las manijas.
2. Retire la manija del embalaje y encuentre la llave hexagonal de 1/8" provista.
3. Coloque la manija sobre los suspensores de montaje hasta que se encuentre nivelada contra la superficie de la puerta.
4. Ajuste ambos tornillos (preensamblados) en las tapas de terminación de la manija, girando la llave hexagonal de 1/8" en sentido horario hasta que la manija deje de estar floja o caiga de su montaje. Aún no ajuste completamente.
5. **IMPORTANTE**

Sostenga la manija de manera firme contra la puerta, asegurándose de que no haya brechas entre las tapas de terminación de la manija y la puerta, y entonces ajuste completamente los tornillos.

Para retirar las manijas, invierta el proceso de instalación.



# Instrucciones de Instalación

## INSTALACIÓN DE LA TUBERÍA DE AGUA

### ANTES DE COMENZAR

Los kits de suministro de agua de cobre recomendados son WX8X2, WX8X3 o WX8X4, dependiendo de la cantidad de tubería necesaria. Las tuberías de suministro de agua de plástico aprobadas son las Tuberías para Refrigerador Universales (WX08X10006, WX08X10015 y WX08X10025).

Al conectar el refrigerador a un Sistema de Agua por Ósmosis Inversa, la única instalación aprobada es con el Kit RV de GE Appliances. Con otros sistemas de agua por ósmosis inversa, siga las recomendaciones del fabricante.

Si el suministro de agua al refrigerador es de un Sistema de Filtración de Agua por Ósmosis Inversa Y el refrigerador también cuenta con un filtro de agua, use el tapón de anulación del filtro del refrigerador. Para ordenar el tapón de anulación, consulte la sección del Cartucho del Filtro de Agua. El uso del cartucho de filtración de agua del refrigerador junto con un filtro de agua por ósmosis inversa podrán producir cubos de hielo huecos y reducir la circulación de agua desde el dispensador de agua.

Esta instalación de la tubería de agua no posee garantía del fabricante del refrigerador o de la máquina de hielo. Siga estas instrucciones con cuidado para minimizar el riesgo de daños caros sobre el agua.

Los golpes de ariete (agua que golpea las tuberías) en la plomería del hogar pueden ocasionar daños sobre las piezas del refrigerador y generar pérdidas de agua o inundación. Llame a un plomero calificado para corregir los golpes de ariete antes de instalar la tubería de suministro de agua al refrigerador.

Para evitar quemaduras y daños sobre los productos, no adhiera la tubería de agua a la tubería de agua caliente.

Si el refrigerador es utilizado antes de realizar las conexiones de la tubería de agua a la unidad o si el suministro de agua a un refrigerador en funcionamiento se apaga, asegúrese de que la máquina de hielo esté apagada. Una vez que se haya conectado el agua al refrigerador, la máquina de hielo se podrá encender.

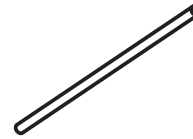
Para ajustar la máquina de hielo en ON/OFF (Encendido/ Apagado), presione el botón Ice Maker (Máquina de Hielo) en el panel de control.

No instale la tubería de la máquina de hielo en áreas donde las temperaturas sean inferiores a aquellas de congelación.

Al usar cualquier dispositivo eléctrico (tal como un taladro eléctrico) durante la instalación, asegúrese de que el mismo posea un doble aislante o que esté conectado a tierra de modo que se prevenga el riesgo de descargas eléctricas, o que esté alimentado a través de una batería.

Todas las instalaciones deberán cumplir con los requisitos del código de plomería local.

### LO QUE NECESITARÁ



- Kit de Tuberías de Agua para Refrigerador de Cobre o Universal de 1/4" de diámetro externo para conectar el refrigerador al suministro de agua. Si el tipo de tubería será de cobre, asegúrese de que ambos extremos de la tubería hayan sido cortados de forma recta.

Para determinar cuánta tubería es necesaria: mida la distancia desde la válvula de agua en la parte trasera del refrigerador hasta la tubería del suministro de agua. Asegúrese de que haya suficiente tubería adicional para permitir que el refrigerador pueda ser retirado de la pared luego de la instalación.

Los Kits de Tuberías de Agua para Refrigerador Universales están disponibles en las siguientes longitudes:

8' (2.4 m)	– WX08X10006
15' (4.6 m)	– WX08X10015
25' (7.6 m)	– WX08X10025

**⚠ ADVERTENCIA** Realice la conexión a un suministro de agua potable únicamente.

Se requiere un suministro de agua fría para el funcionamiento de la máquina de hielo automática. Se requiere una presión de agua de entre 40 y 120 psi (275 y 827 kilopascales) para usar el dispensador de agua y la máquina de hielo.

# Instrucciones de Instalación

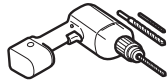
## INSTALACIÓN DE LA TUBERÍA DE AGUA (Cont.)

### LO QUE NECESITARÁ (Cont.)

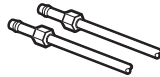
**NOTA:** La única tubería plástica aprobada por GE Appliances es aquella suministrada en los Kits de Tuberías de Agua para Refrigerador Universales. No use ningún otro suministro de agua plástico, ya que el suministro se encuentra bajo presión en todo momento. Ciertos tipos de plásticos podrán sufrir fisuras o roturas con el paso del tiempo y ocasionar problemas con el agua en su hogar.

- Un kit de suministro de agua de GE Appliances (el cual contiene tubería, válvula de cierre y uniones que figuran en la lista siguiente) está disponible por un costo adicional a través de su vendedor minorista o de Parts and Accessories (Piezas y Accesorios), 800.626.2002 (En Canadá 1.800.661.1616).
- Un suministro de agua fría. La presión del agua deberá estar entre 40 y 120 psi (172 y 827 kilopascales).
- Taladro eléctrico.

- Llave de 1/2" o ajustable.



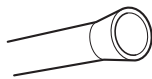
- Destornillador de punta plana o Phillips.
- Dos tuercas de compresión de diámetro exterior de 1/4" y



2 abrazaderas de refuerzos (mangas) – para conectar la tubería de cobre a la válvula de cierre y a la válvula de agua del refrigerador.

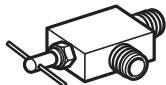
O

- Si usará un kit de Tuberías de Agua para Refrigerador Universal, las uniones necesarias están preensambladas a la tubería.



- Si su tubería de agua de cobre existente posee una unión abocardada en su extremo, necesitará un adaptador (disponible en las tiendas de suministros de plomería) para conectar la tubería de agua al refrigerador O puede cortar la unión abocardada con un cortador de tubo y luego usar una unión de compresión. No corte el extremo moldeado de la Tubería de Suministro de Agua del Refrigerador.

- Cierre la válvula para realizar la conexión a la tubería



de agua fría. La válvula de cierre debería tener una entrada de agua con un diámetro interior mínimo de 5/32" en el punto de conexión a la TUBERÍA DE AGUA FRÍA. Las válvulas de cierre tipo montura están incluidas en muchos kits de suministro de agua. Antes de su adquisición, asegúrese de que la válvula tipo montura cumpla con los códigos de plomería locales. Instale la válvula de cierre en la tubería de agua corriente de uso frecuente más cercana.

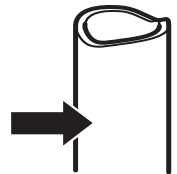
Instale la válvula de cierre en la tubería de agua corriente de uso frecuente más cercana.

### 1 CIERRE EL SUMINISTRO DE AGUA PRINCIPAL

Abra el grifo más cercano durante el tiempo suficiente como para despejar la tubería de agua.

### 2 ELIJA LA UBICACIÓN DE LA VÁLVULA

Elija una ubicación para la válvula que sea de fácil acceso. Es mejor conectar la misma en el lateral de una tubería de agua vertical. Cuando sea necesario hacer la conexión en una tubería de agua horizontal, realice la conexión a la parte superior o el lateral, en vez de la parte inferior, para evitar el drenaje de cualquier sedimento de la tubería de agua.

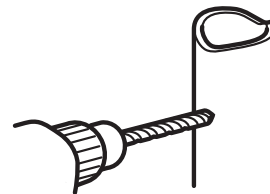


### 3 TALADRE EL AGUJERO DE LA VÁLVULA

Taladre un agujero de 1/4" en la tubería de agua (incluso si usará una válvula autopercorante), usando una broca afilada. Elimine cualquier zumbido que resulte de haber taladrado el agujero en la tubería.

Tenga cuidado de no permitir que el agua se drene en el taladro.

Si no se taladra un agujero de 1/4" se podrá ver reducida la producción de hielo o los cubos de hielo podrán ser más pequeños.

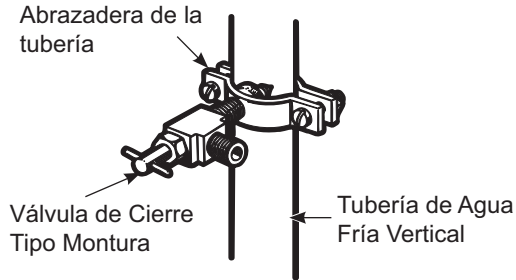


# Instrucciones de Instalación

## INSTALACIÓN DE LA TUBERÍA DE AGUA (Cont.)

### 4 AJUSTE LA VÁLVULA DE CIERRE

Ajuste la válvula de cierre de la tubería de agua fría con la abrazadera de la tubería.

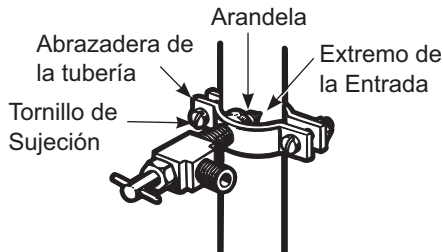


**NOTA:** Se deberá cumplir con los Códigos de Plomería del Commonwealth de Massachusetts 248CMR. Las válvulas tipo montura son ilegales y su uso está prohibido en Massachusetts. Consulte a un plomero matriculado. are illegal and use is not permitted in Massachusetts. Consult with your licensed plumber.

### 5 AJUSTE LA ABRAZADERA DE LA TUBERÍA

Ajuste los tornillos de la abrazadera hasta que la arandela de sellado comience a hincharse.

**NOTA:** No haga un ajuste excesivo o se podrá romper la tubería.



### 6 ENRUTAMIENTO DE LA TUBERÍA

Dirija la tubería entre la entrada de agua fría y el refrigerador.

Dirija la tubería a través de un agujero perforado en la pared o el piso (detrás del refrigerador o del gabinete con base adyacente) tan cerca a la pared como sea posible.

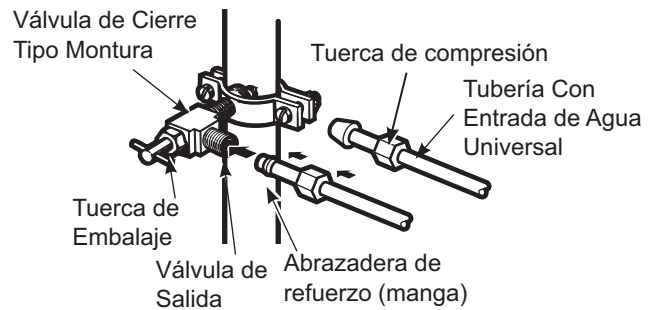
**NOTA:** Asegúrese de que haya suficiente tubería adicional para permitir que el refrigerador pueda ser retirado de la pared luego de la instalación.

### 7 CONECTE LA TUBERÍA A LA VÁLVULA

Coloque la tuerca de compresión y la abrazadera de refuerzo (manga) para colocar la tubería de cobre en el extremo de la tubería y conecte la misma a la válvula de cierre.

Asegúrese de que la tubería esté completamente insertada en la válvula. Ajuste la tuerca de compresión de forma segura.

Para usar una tubería de plástico del kit de Tuberías para Refrigerador GE SmartConnect™, inserte el extremo moldeado de la tubería en la válvula de cierre y ajuste la tuerca de compresión hasta que quede ajustada manualmente, y luego dé un giro de ajuste adicional con una llave. Realizar un ajuste excesivo podrá ocasionar pérdidas.



**NOTA:** Se deberá cumplir con los Códigos de Plomería del Commonwealth de Massachusetts 248CMR. Las válvulas tipo montura son ilegales y su uso está prohibido en Massachusetts. Consulte a un plomero matriculado.

### 8 DESPEJE LA TUBERÍA



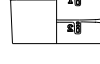



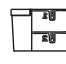


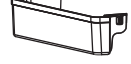

Abra el suministro de agua principal y despeje la tubería hasta que el agua esté limpia. Cierre el agua usando la válvula de agua luego de haber dejado correr aproximadamente un galón (1 litro) de agua a través de la tubería.

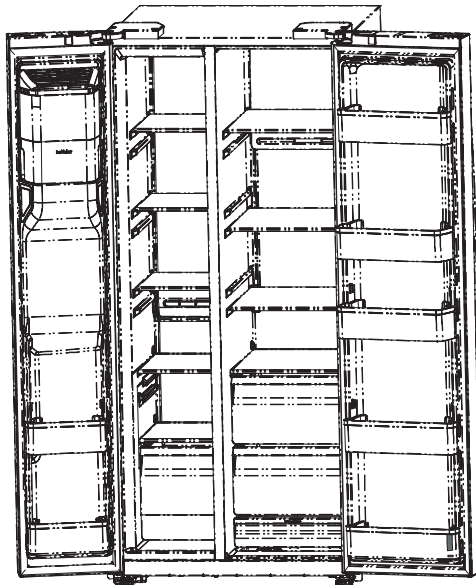


Para completar la instalación del refrigerador, vuelva al Paso 1 sobre la Instalación del Refrigerador.

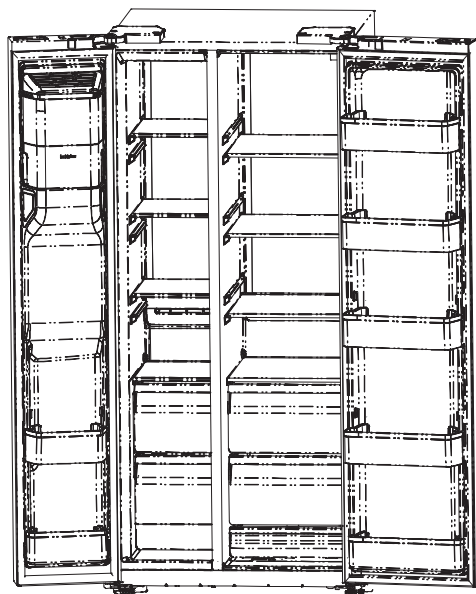
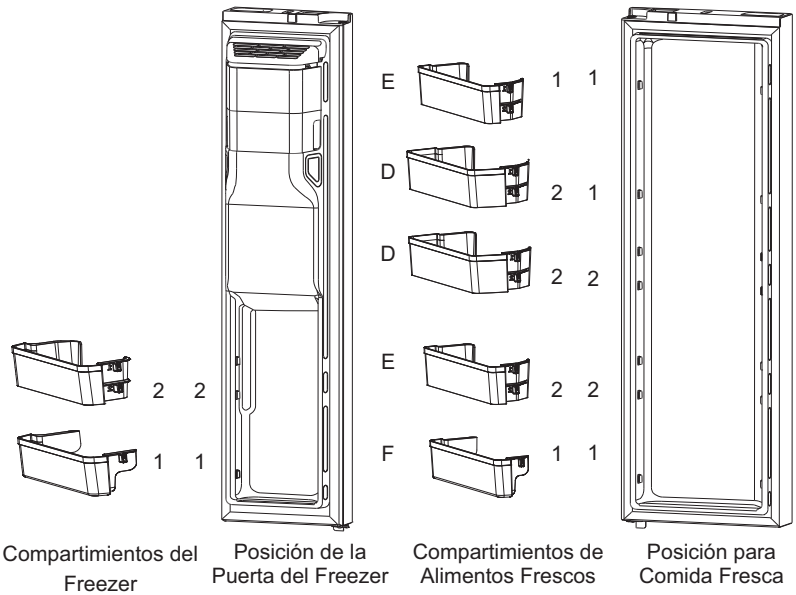
# Instrucciones de Instalación

## INSTALACIÓN DEL REFRIGERADOR (Cont.)

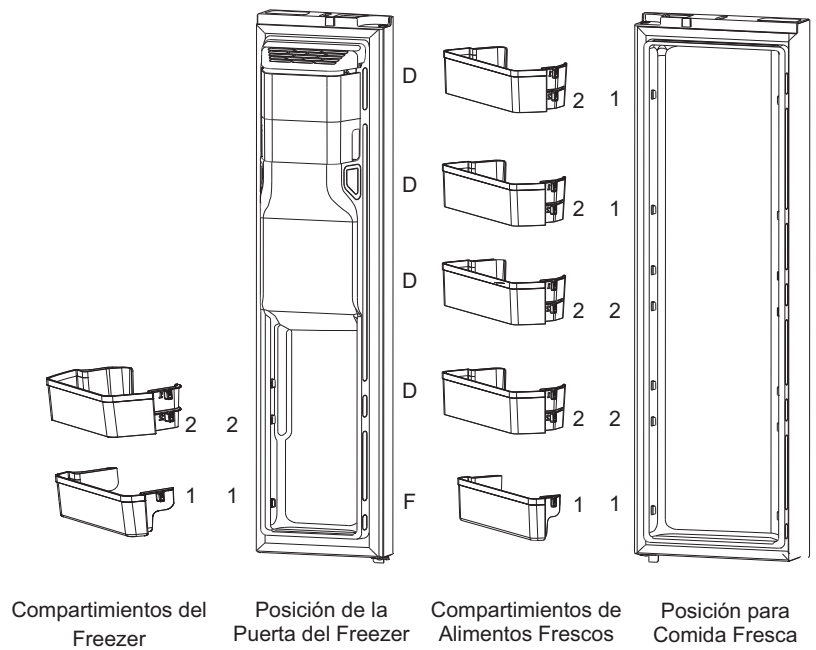
Compartimientos del Freezer	Compartimientos de Alimentos Frescos	Posiciones de los Compartimientos
A 	D 	 1  2
B 	E 	 1  2
C 	F 	 1



Dispensador Exterior GSS28N, GSE28N



Dispensador Exterior GSS28P



## Consejos para Solucionar Problemas... Antes de solicitar el servicio técnico

Problema	Causas Posibles	Qué Hacer
No filtra	Anulación del filtro instalada	Instale el filtro de agua adecuado.
El mensaje "Reemplazar el filtro" se activa en el panel de control.	El filtro está alcanzando el final de su vida útil.	Considere reemplazar el filtro pronto.
El mensaje "Filtro caducado" se activa en el panel de control.	Filtro caducado	Reemplace el filtro o instale el tapón de anulación del filtro. El mensaje se apagará en unos pocos segundos indicando que el filtro fue reemplazado de forma exitosa.
El mensaje "Detección de pérdida" se activa en el panel de control. Agua / Hielo desactivado	Se detectó una pérdida en el filtro.	Reemplace el filtro. Limpie el filtro / área circundante si no hay agua luego del reemplazo del filtro.
"Error" en la pantalla El mensaje "Reemplazar el filtro" se activa en el panel de control. Agua / Hielo desactivado	El filtro no fue detectado. No hay comunicación con el filtro.	Verifique que posee el filtro XWFE y no el XWF. Verifique que no haya rayones o daños sobre la etiqueta del filtro. Reemplace el filtro si la etiqueta muestra daños. Reemplace el filtro o asegúrese de que el filtro de agua esté correctamente instalado (consulte la sección del filtro de agua).
El refrigerador no funciona.	El refrigerador se encuentra en el ciclo de descongelamiento.	Espere unos 30 minutos hasta que el ciclo de descongelamiento finalice.
	El control del freezer está en la posición OFF (Apagado).	("Refrigerador"+"Freezer") al mismo tiempo en el panel de control durante 3 segundos.
	El refrigerador está desenchufado.	Presione el tapón completamente en la salida.
	Se quemó el fusible/ el disyuntor está desactivado	Reemplace los fusibles o reinicie el disyuntor.
	El refrigerador se encuentra en el modo de sala de exposición.	Presione "Fridge"+"Freezer" ("Refrigerador"+"Freezer") al mismo tiempo en el panel de control durante 3 segundos.
El motor funciona durante periodos prolongados o realiza ciclos de encendido y apagado de forma frecuente. (Los refrigeradores modernos con mayor espacio de almacenamiento y un freezer más grande requieren más tiempo de funcionamiento. Se activan y se detienen con frecuencia para mantener temperaturas parejas).	Es normal cuando el refrigerador se enchufa por primera vez.	Espere 24 horas hasta que el refrigerador se enfríe completamente.
	Los controles de temperatura están configurados en la posición más fría.	Ajuste la temperatura en una configuración más cálida. Consulte sobre los Controles.
El refrigerador o el freezer no están lo suficientemente fríos.	Es normal cuando el refrigerador se enchufa por primera vez o luego de un corte de corriente prolongado.	Espere 24 horas para que en ambos compartimientos se alcancen las temperaturas seleccionadas.
	Sucede con frecuencia cuando se colocan grandes cantidades de comida o comida caliente en el refrigerador.	Esto es normal, espere 24 horas hasta que el sistema se estabilice.
	La puerta estuvo abierta por un período de tiempo prolongado.	Espere 24 horas hasta que el sistema se estabilice.
	Se dejó la puerta abierta / no se cerró correctamente.	Controle que no haya paquetes que impidan que la puerta se cierre. Asegúrese que el paquete detrás de las puertas se haya retirado. Asegúrese de que la comida no bloquee la puerta.
	Clima cálido o apertura frecuente de la puerta.	Ajuste la temperatura en una configuración más fría. Consulte sobre los Controles.
	Temperature control not set cold enough.	Ajuste la temperatura en una configuración más fría. Consulte sobre los Controles.
Escharra o cristales de hielo en la comida congelada	Se dejó la puerta abierta / no se cerró correctamente.	Controle que no haya paquetes que impidan que la puerta se cierre. Asegúrese que el paquete detrás de las puertas se haya retirado. Asegúrese de que la comida no bloquee la puerta.
	La comida está bloqueando la salida de circulación de aire.	Asegúrese de que la comida no bloquee la salida de circulación de aire.
El divisor de los compartimientos del refrigerador y del freezer se siente caliente.	El sistema de ahorro de energía automático hace circular líquido caliente alrededor del extremo del compartimiento del freezer.	Esto es normal y ayuda a evitar la condensación en la parte exterior.

# Solución de Problemas

Problema	Causas Posibles	Qué Hacer
<b>El dispensador de agua / hielo no funciona (en algunos modelos)</b>	El suministro de agua está cerrado o no está conectado.	El refrigerador deberá estar conectado al agua, y la máquina de hielo deberá estar encendida. Consulte sobre la Instalación de la tubería de agua.
	Filtro de agua obstruido. El filtro no está instalado de forma correcta / Pérdida del filtro de agua	Reemplace el filtro o instale el tapón, asegúrese de que el filtro de agua esté correctamente instalado (consulte la sección del filtro de agua).
	Es posible que haya aire atrapado en el sistema de agua	Presione el brazo dispensador durante por lo menos dos minutos.
	El dispensador está BLOQUEADO.	Mantenga presionada la función "Control Lock" (Bloqueo del Control) en el panel de control durante 3 segundos.
	La línea de suministro o la válvula de cierre están atascadas.	Verifique que haya circulación desde la tubería de suministro de agua de la casa. En caso de no haber circulación, le recomendamos que un plomero revise la instalación.
<b>La máquina de hielo automática no funciona.</b>	La máquina de hielo está APAGADA desde el panel de control.	Asegúrese de que la máquina de hielo esté encendida. Sólo después de que la tubería de agua esté conectada y que el agua esté activada, encienda la máquina de hielo presionando el botón "Ice Maker" (Máquina de Hielo) en el panel de control para encenderla. Una luz sobre el botón "Ice Maker" (Máquina de Hielo) se encenderá, indicando que se encuentra activada.
	El compartimiento del freezer está demasiado caliente.	Puede llevar entre 12 y 24 horas que un refrigerador recién instalado comience a fabricar cubos de hielo.
	Acumulaciones de hielo irregulares en la hielera de almacenamiento.	Rompa el mismo haciendo presión con la punta de los dedos y descarte las acumulaciones restantes.
		Es posible que el freezer está demasiado caliente: Ajuste el control del freezer a una configuración más fría, una posición por vez, hasta que no se formen acumulaciones.
<b>Cubos pequeños o huecos Producción baja de hielo</b>	Filtro de agua obstruido	Reemplace el cartucho del filtro por un cartucho nuevo o por el tapón. La calidad del agua varía de una ciudad a otra; si la circulación del agua del dispensador disminuye, o la producción de hielo decrece, el filtro de agua debería ser reemplazado, incluso aunque el indicador del filtro no señale la necesidad del reemplazo.
	Presión baja del agua	Si la manguera de suministro de agua está torcida, la circulación del agua se podrá ver comprometida.  Se requiere un suministro de agua fría con una presión de entre 40 y 120 psi (275 y 827 kilopascales) para usar el dispensador de agua y la máquina de hielo.
	Comida congelada que bloquea la salida de aire El compartimiento del freezer está demasiado caliente.	Para maximizar la producción de hielo, se recomienda no sobrecargar la sección superior del freezer, dejando algo de espacio en la parte superior del compartimiento del freezer de modo que el aire frío pueda llegar a la máquina de hielo en la puerta. Producción normal de hielo = 120 cubos en 24 horas.
<b>Dispensado de hielo picado al seleccionar CUBED ICE (Hielo en Cubos)</b>	La última configuración fue CRUSHED ICE (Hielo Picado).	Quedaron algunos trozos de hielo en la picadora desde la configuración previa. Esto es normal.
<b>El agua del primer vaso está caliente (en algunos modelos).</b>	Es normal cuando el refrigerador está recién instalado o el nivel de uso es alto.	El tanque del dispensador de agua ubicado dentro del refrigerador guarda agua para dispensar. El agua del tanque necesita 24 horas para enfriarse luego de la instalación. Las altas condiciones de uso no permitirán que haya tiempo para que el agua se enfríe.
	El dispensador de agua no se usó durante un tiempo prolongado.	Dispense agua hasta que todo el aire del sistema se haya purgado.
	El sistema de agua fue drenado.	Espere varias horas hasta que el suministro repuesto se haya enfriado.
<b>Chorrea o gotea agua del dispensador.</b>	Cartucho del filtro recién instalado	Deje correr agua desde el dispensador durante aproximadamente 5 minutos (unos 2 galones) para eliminar el aire del sistema.
	Puede haber aire presente en el sistema de entrada de agua, haciendo que gotee agua luego de ser dispensada.	Deje correr agua desde el dispensador durante aproximadamente 5 minutos (unos 2 galones) para eliminar el aire del sistema.  Es posible que caigan unas pocas gotas de agua del dispensador, luego de que la paleta del mismo se haya liberado. Para minimizar los goteos, retire el vidrio lentamente del dispensador.
<b>El agua no se dispensa (en algunos modelos), pero la máquina de hielo está funcionando.</b>	El agua en el depósito está congelada debido a que los controles están demasiado fríos.	Ajuste el control del refrigerador en una configuración más caliente y espere 24 horas. Si el agua no es dispensada luego de 24 horas, comuníquese con el servicio técnico.

# Solución de Problemas

Problema	Causas Posibles	Qué Hacer
<b>Agua en el piso de la cocina o en la parte inferior del freezer</b>	Cubos atorados en el vertedor	Retire la hielera y desbloquee el hielo a través del vertedor con una cuchara de madera.
	La tubería de agua de la casa no está correctamente conectada al refrigerador.	Al purgar el aire del sistema de agua, controle pérdidas en todas las conexiones de las tuberías de agua. Controle la conexión con el suministro de agua de la casa en la parte trasera del refrigerador, y en la conexión de la tubería de agua de la puerta.
<b>El refrigerador, hielo o agua tienen olor / gusto</b>	La comida le transmite olor/ gusto a los cubos de hielo.	Las comidas con olores fuertes se deberán cubrir de forma hermética. Coloque una caja abierta de bicarbonato de sodio en el refrigerador; reemplace la misma cada tres meses.
	Es necesario limpiar el interior del refrigerador.	Consulte la sección de Cuidado y Limpieza.
	El Agua / Hielo no se usó durante un tiempo prolongado.	Dispense agua hasta que el sistema se vuelva a llenar; se recomienda 5 minutos (unos 2 galones). Retire la hielera y descarte los cubos viejos.
	Cartucho del filtro recién instalado o refrigerador enchufado por primera vez	Luego de iniciar la máquina de hielo, descarte 24 horas de producción de hielo para evitar problemas de olor y sabor. Se recomienda dejar correr el agua del dispensador durante 5 minutos (unos 2 galones). Es normal que el hielo o el agua posean algunos puntos negros durante la descarte inicial del sistema.
<b>Se forma humedad en la parte exterior del refrigerador.</b>	No es atípico durante períodos con altos niveles de humedad.	Seque la superficie.
<b>Se acumula Humedad / Escarcha en la parte interior (en climas húmedos, el aire lleva humedad al refrigerador cuando se abre la puerta).</b>	Se abre la puerta de forma muy frecuente o por períodos demasiado largos.	La escarcha dentro del freezer típicamente indica que la puerta no está correctamente sellada, o se dejó abierta. Si se encuentra escarcha, despeje la misma utilizando una espátula de plástico y una toalla, y luego asegúrese de que no haya paquetes ni envases de comida que impidan que la puerta del freezer se cierre. Controle el panel de control del refrigerador para asegurarse de que la alarma de la puerta esté activada.
	Debido al alto nivel de humedad en el refrigerador, es posible que ocasionalmente se empañe o que se produzcan pequeñas cantidades de humedad en el compartimiento del refrigerador.	Esto es normal, las cargas y condiciones ambientales pueden variar; use una toalla de papel si lo desea.
<b>La luz del espacio interior no funciona.</b>	No hay corriente en el tomacorriente.	Reemplace el fusible o reinicie el disyuntor.
	Para luces LED	Llame para programar una cita con el Servicio Técnico.
<b>Aire caliente desde la parte inferior del refrigerador</b>	Circulación de aire normal que refrigera el motor. En el proceso de refrigeración, es normal que el calor sea despedido a través del área que está debajo del refrigerador.	Esto es normal.
<b>El refrigerador nunca se apaga pero las temperaturas están BIEN.</b>	La descongelación adaptativa mantiene el compresor en funcionamiento durante las aperturas de puerta.	Esto es normal. El refrigerador dejará de realizar ciclos una vez que la puerta permanezca cerrada durante 2 horas.
<b>El refrigerador emite un pitido.</b>	Se trata de la alarma de la puerta. La puerta está abierta.	- Apague o desactive la misma con la puerta cerrada. - Si la puerta está abierta y la alarma está sonando, sólo podrá posponer la alarma. - Controle que la puerta esté completamente cerrada.
<b>La puerta no se cierra de forma correcta.</b>	La unión de la puerta sobre el lateral de las bisagras sobresale o se pliega.	Aplique vaselina en la cara de la unión.
<b>La manija está floja / la manija tiene un espacio de separación.</b>	Es necesario ajustar la manija.	Si las manijas de las puertas están flojas o tienen una separación, se podrán ajustar usando una llave allen de 1/8", sobre los tornillos ubicados en los extremos de las manijas. Consulte la sección de INSTALACIÓN DEL REFRIGERADOR (Paso 5 INSTALACIÓN DE LAS MANIJAS DEL REFRIGERADOR Y DEL FREEZER)
<b>La parte superior de las puertas del refrigerador no está alineada.</b>	Varias cosas pueden afectar la alineación de la puerta del refrigerador, incluyendo el piso sobre el cual el refrigerador está instalado y la carga de las puertas.	Use una llave de 7/16" para ajustar la puerta del lado derecho. Vuelva a controlar la alineación luego de cargar la comida. De ser necesario, repita el proceso. Consulte la sección de Instrucciones de Instalación (Paso 4 ALINEACIÓN DE LA PUERTA):
<b>Vibración normal o ruidosa (una vibración leve es normal).</b>	Es necesario ajustar las patas niveladoras.	Instale el refrigerador en un área sólida y plana. Consulte la sección de "Nivelación del refrigerador" en las Instrucciones de Instalación.
	Objetos alrededor de o sobre el electrodoméstico.	Retire los objetos. El refrigerador vibra levemente durante el funcionamiento del compresor o ventilador. Es posible que los artículos ubicados en la parte superior generaren un repiqueteo o zumbido debido a estas vibraciones.
	Sin suficiente espacio trasero hasta las paredes.	Deje el espacio libre recomendado alrededor del electrodoméstico.

# Solución de Problemas

Problema	Causas Posibles	Qué Hacer
"Sonido de zumbido" frecuente	La máquina de hielo está ENCENDIDA, pero el suministro de agua al refrigerador no se encuentra conectado.	Presione el botón "Ice Maker" (Máquina de Hielo) en el panel de control para APAGARLO. Una luz sobre el botón "Ice Maker" (Máquina de Hielo) se APAGARÁ; mantenerlo en la posición de ENCENDIDO dañará la válvula de agua.
Sonido de chasquido / siseo desde el área del freezer.	Esto indica un funcionamiento normal del calentador de descongelamiento. El calentador está despejando la escarcha del evaporador del refrigerador para un funcionamiento óptimo.	Éste funcionamiento es normal y el calentador se apagará una vez que la escarcha se haya despejado.
Sonidos de clic	Se podrá producir un sonido de clic cuando los componentes eléctricos se inicien o detengan.	El tablero de control electrónico podrá generar un sonido de clic cuando los relés se activan para controlar los componentes del refrigerador. Funcionamiento normal.
		Los reguladores electrónicos hacen clic al abrirse y cerrarse para brindar un óptimo nivel de refrigeración y ahorro de energía. Funcionamiento normal.
Sonido de zumbido o silbido	Evaporador y ventilador del condensador en funcionamiento	Es posible que escuche los ventiladores girar en altas velocidades. Los ventiladores ayudan a mantener las temperaturas correctas en el refrigerador. A veces pueden funcionar durante un período de tiempo prolongado, especialmente cuando las puertas se abren con frecuencia o cuando una gran cantidad de comida es almacenada. Esto es parte del funcionamiento normal.
	Ecuilibración de la Presión del Aire	Es posible que se escuchen silbidos al cerrar la puerta. Esto se debe al equilibrio de la presión dentro del refrigerador. Esto es parte del funcionamiento normal.
Sonidos de gorgoteo	El refrigerante circula a través del sistema de refrigeración.	La circulación de refrigerante podrá producir un sonido burbujeante similar al hervor del agua. Esto es normal y es parte del proceso de refrigeración.
Sonido de crujido o chasquido	Expansión y Contracción Térmica	Es posible que escuche sonidos de crujidos o chasquidos cuando la temperatura del refrigerador se eleve o reduzca. Esto sucede porque las partes plásticas se contraen y expanden. Esto es parte del funcionamiento normal.
BRRR! Sound	El refrigerador podrá emitir sonidos similares a un motor cuando está arrancando o finalizando su funcionamiento.	Esto es normal y es parte del ciclo de refrigeración. A veces puede producirse durante un período de tiempo prolongado, especialmente cuando las puertas se abren con frecuencia.
Sonido de chisporroteo	Activación del Calentador de Descongelación	El agua que cae sobre el calentador de descongelamiento puede producir un sonido de chisporroteo, chasquido o zumbido durante el ciclo de descongelamiento. Es posible que se escuche un sonido de goteo durante el ciclo de descongelación, a medida que el hielo se derrite desde el evaporador y circula hasta la charola de drenaje para un óptimo funcionamiento.
Sonido metálico / de caída	Los cubos de hielo caen en la hielera.	En los modelos con máquina de hielo, una vez completado un ciclo de producción de hielo, es posible que escuche un ruido fuerte cuando los cubos de hielo caen al recipiente de almacenamiento de hielo. Esto es normal y sucede una vez que la máquina de hielo completa un ciclo.
Sonidos de zumbido y murmullo	Activación de la Válvula de Entrada de Agua	Usted escuchará un sonido de zumbido a medida que la válvula de entrada de agua se abre para permitir que el agua circule desde la tubería hasta la máquina de hielo o al dispensar agua. Este sonido se podrá escuchar una o muchas veces. Esto es parte del funcionamiento normal.
El electrodoméstico no está conectado al Wi-Fi. (En algunos modelos)	El Wi-Fi está apagado en el teléfono inteligente.	Controle las configuraciones de su dispositivo y active el Wi-Fi.
	El enrutador está apagado o no funciona.	Asegúrese de que el enrutador esté encendido y que todos los cables estén correctamente conectados.
	Señal débil de Wi-Fi	Acérquese al enrutador o elimine las obstrucciones físicas.
	Contraseña de Wi-Fi incorrecta	Vuelva a ingresar la contraseña correcta. Haga un reinicio si la olvidó.
	El teléfono inteligente que se usó para configurar la conexión del electrodoméstico está en Airplane Mode (Modo Avión).	Apague el Modo Avión en las configuraciones de su dispositivo.
	Congestión de red (demasiados dispositivos conectados)	Desconecte los dispositivos no utilizados o reinicie el enrutador para refrescar las conexiones.
	El software del dispositivo está desactivado.	Actualice el sistema operativo o el firmware del dispositivo.
	La frecuencia del enrutador no es 2.4 GHz.	Configure el enrutador en 2.4 GHz. Solicítele ayuda a su proveedor de internet (ISP) o al fabricante del enrutador.
El nombre o contraseña del Wi-Fi cambió.	Siga las instrucciones de SmartHQ para eliminar el electrodoméstico y agregarlo nuevamente.	

\*Algunos modelos no están equipados con el tapón de anulación del filtro. Para obtener un tapón de anulación gratuito, llame a 1.833.4BOLDWELL y solicite el tapón de anulación del filtro WR17X33825. En Canadá, llame al 800.561.3344.

# Garantía Limitada del Refrigerador GE Appliances

**GARANTÍA LIMITADA**

## GEAppliances.com

Para los clientes de EE.UU., todo el servicio de garantía es provisto por nuestros Centros de Servicio de Fabricación (Factory Service Centers), o por un técnico autorizado de Customer Care®. Para programar el servicio a través de internet, visítenos en GEAppliances.com, o llame a GE Appliances al 833.4BODEWELL (833-426-3393). Cuando llame para solicitar el servicio técnico, tenga disponibles los números de serie y modelo. En Canadá, llame al 800.561.3344.

Para realizar el servicio técnico de su refrigerador se podrá requerir el uso de datos del puerto de abordaje para su diagnóstico. Esto le da al técnico del Servicio de Fábrica de GE Appliances la habilidad de diagnosticar rápidamente cualquier problema con su electrodoméstico, y le ayuda a GE Appliances a mejorar sus productos al brindarle a GE Appliances la información sobre el electrodoméstico. Si no desea que los datos de su electrodoméstico se envíen a GE Appliances, solicitamos que le indique a su técnico NO entregar los datos a GE Appliances en el momento del servicio técnico.

**Por el Período de:** GE Appliances Reemplazará

### MARCA GE APPLIANCES y MARCA GE APPLIANCES PROFILE:

<b>Un Año</b> Desde la fecha de compra original	<b>Cualquier</b> parte del refrigerador que falle debido a un defecto en los materiales o la fabricación. Durante esta <b>garantía limitada de un año</b> , GE Appliances también proveerá, sin costo, todo el trabajo y el servicio relacionado con el reemplazo de la parte defectuosa.
<b>Treinta días</b> (filtro de agua, si se incluye) desde la fecha original de compra del refrigerador	<b>Cualquier</b> parte del cartucho del filtro de agua que falle debido a un defecto en los materiales o la fabricación. Durante esta <b>garantía limitada por treinta días</b> , GE Appliances también brindará, sin costo, el reemplazo de un cartucho del filtro de agua.

### MARCA GE APPLIANCES PROFILE ÚNICAMENTE:

<b>Cinco Años</b> Desde la fecha de compra original	<b>Cualquier</b> parte del sistema de refrigeración sellado (el compresor, condensador, evaporador y todas las tuberías de conexión) que falle debido a un defecto en los materiales o la fabricación. Durante esta <b>garantía de cinco años</b> del sistema de refrigeración sellado, GE Appliances también proveerá, <b>sin costo</b> , todo el trabajo y el servicio relacionado con el reemplazo de la parte defectuosa en el sistema de refrigeración sellado.
--------------------------------------------------------	----------------------------------------------------------------------------------------------------------------------------------------------------------------------------------------------------------------------------------------------------------------------------------------------------------------------------------------------------------------------------------------------------------------------------------------------------------------------

### Qué No Cubrirá GE Appliances:

- Viajes del técnico del servicio a su hogar para enseñarle sobre cómo usar el producto.
- Instalación, entrega o mantenimiento inadecuados.
- Fallas del producto en caso de abuso, uso inadecuado, o uso para propósitos diferentes al original o uso comercial.
- Pérdida de alimentos por mal estado.
- Reemplazo de fusibles de la casa o reinicio de disyuntores.
- Daños sobre el acabado, tales como superficie oxidada, deslustre o manchas pequeñas no informadas dentro de las 48 horas luego de la entrega.
- Daño ocasionado por un filtro de agua de una marca que no es GE Appliances.
- Reemplazo del cartucho del filtro de agua, si se incluye, debido a la presión del agua que está fuera del rango de funcionamiento específico o debido a exceso de sedimentos en el suministro de agua.
- Reemplazo de bombillos de luz, si se incluyen, o del cartucho del filtro de agua, si se incluye, a diferencia de lo detallado anteriormente.
- Daños ocasionados sobre el producto por accidente, incendio, inundaciones o catástrofes naturales.
- Daños incidentales o consecuentes causados por posibles defectos sobre este producto.
- Producto no accesible para brindar el servicio requerido.

**EXCLUSIÓN DE GARANTÍAS IMPLÍCITAS**—Su única y exclusiva alternativa es la reparación del producto, como se indica en la Garantía Limitada. Las garantías implícitas, incluyendo garantías implícitas de comerciabilidad o conveniencia sobre un propósito particular, se limitan a un año o al período más corto permitido por la ley.

Esta garantía se extiende al comprador original y a cualquier dueño subsiguiente de productos comprados para uso hogareño dentro de EE.UU. Si el producto está en un área donde no se encuentra disponible un Proveedor Autorizado del Servicio Técnico de GE Appliances, usted será responsable por el costo de un viaje o se podrá requerir que traiga el producto a una ubicación del Servicio Técnico de GE Appliances Autorizado para recibir el servicio. En Alaska, la garantía excluye el costo de envío o llamadas del servicio a su hogar.

Algunos estados no permiten la exclusión o limitación de daños fortuitos o consecuentes. Esta garantía le da derechos legales específicos y es posible que tenga otros derechos legales que varían entre un estado y otro. Para conocer cuáles son sus derechos legales, consulte a la oficina de asuntos del consumidor local o estatal o al Fiscal de su estado.

**Garante: GE Appliances, a Haier company, Louisville, KY 40225**

**Warrantor Canada: MC Commercial Inc, Burlington, Ontario, L7L 6B2**

Abroche su recibo aquí. Para acceder al servicio técnico de acuerdo con la garantía deberá contar con la prueba de la fecha original de compra.

# Garantía Limitada del Cartucho del Filtro de Agua XWFE

Comuníquese con nosotros en [geapplianceparts.com](http://geapplianceparts.com), o llame al 833.4BODEWELL.

Por el Período de	GE Appliances reemplazará
Treinta Días Desde la fecha de compra original	Cualquier parte del cartucho del filtro de Agua que falle debido a un defecto en los materiales o la fabricación durante esta garantía limitada de treinta días.*

## Qué no Cubrirá GE Appliances:

- Viajes del técnico del servicio a su hogar para enseñarle sobre cómo usar el producto.
- Instalación inadecuada.
- Fallas del producto en caso de abuso, mal uso, o uso para propósitos diferentes al original o uso comercial.
- Reemplazo de fusibles de la casa o reinicio de disyuntores.
- Daños ocasionados sobre el producto por accidente, incendio, inundaciones o catástrofes naturales.
- Daños incidentales o consecuentes causados por posibles defectos sobre este producto.

## EXCLUSIÓN DE GARANTÍAS IMPLÍCITAS

Su única y exclusiva alternativa es el cambio de la parte, como se indica en esta Garantía Limitada. Las garantías implícitas, incluyendo garantías implícitas de comerciabilidad o idoneidad sobre un propósito particular, se limitan a seis meses o al período más corto permitido por la ley.

Esta garantía se extiende al comprador original y a cualquier dueño subsiguiente de productos comprados para uso hogareño dentro de EE.UU. En Alaska, la garantía excluye el costo de envío o llamadas del servicio a su hogar.

Algunos estados no permiten la exclusión o limitación de daños incidentales o consecuentes. Esta garantía le da derechos legales específicos y es posible que tenga otros derechos legales que varían entre un estado y otro. Para conocer cuáles son sus derechos legales, consulte a la oficina de asuntos del consumidor local o estatal o al Fiscal de su estado.

**Para Compras Realizadas en Iowa:** Este formulario debe poseer la firma y fecha del comprador y del vendedor antes de la consumación de esta venta.

Este formulario debería ser conservado en archivo por el vendedor durante un mínimo de dos años.

### Comprador:

Nombre \_\_\_\_\_  
 Domicilio \_\_\_\_\_  
 Ciudad \_\_\_\_\_ Estado \_\_\_\_\_ Código Postal \_\_\_\_\_  
 Firma \_\_\_\_\_ Fecha \_\_\_\_\_

### Seller:

Nombre \_\_\_\_\_  
 Domicilio \_\_\_\_\_  
 Ciudad \_\_\_\_\_ Estado \_\_\_\_\_ Código Postal \_\_\_\_\_  
 Firma \_\_\_\_\_ Fecha \_\_\_\_\_

\* Si la parte de GE Appliances falla debido a un defecto en la fabricación dentro de los treinta días desde la fecha de compra original como consecuencia del uso, le entregaremos una parte nueva o, a nuestra discreción, una parte restaurada sin cargo. Devuélvale la parte defectuosa al proveedor de partes a quien le realizó la compra, junto con una copia del "comprobante de compra" de la parte. Si la parte es defectuosa y no muestra signos de abuso, será cambiada. La garantía no cubre la falla de aquellas partes dañadas que estando en su posesión sean abusadas, o que hayan sido instaladas de forma incorrecta. No cubre el costo de regresar la parte al proveedor a quien le realizó la compra ni cubre el costo del trabajo para retirar o instalar la misma para diagnosticar la falla. No cubre las partes usadas en productos de uso comercial, excepto en el caso de equipos acondicionadores de aire. En ningún caso GE Appliances será responsable por daños consecuentes.

**Garante: GE Appliances, a Haier company**  
 Louisville, KY 40225

Abroche su recibo aquí. Para acceder al servicio técnico de acuerdo con la garantía deberá contar con la prueba de la fecha original de compra.







# Soporte al Consumidor

---

## Sitio Web de GE Appliances

¿Desea realizar una consulta o necesita ayuda con su electrodoméstico? ¡Intente a través del Sitio Web de GE Appliances las 24 horas del día, cualquier día del año! Usted también puede comprar más electrodomésticos maravillosos de GE Appliances y aprovechar todos nuestros servicios de soporte a través de Internet, diseñados para su conveniencia. **GEAppliances.com**

---

## Registre su Electrodoméstico

¡Registre su electrodoméstico nuevo a través de Internet, según su conveniencia! Un registro puntual de su producto permitirá una mejor comunicación y un servicio más puntual de acuerdo con los términos de su garantía, en caso de surgir la necesidad. También puede enviar una carta en la tarjeta de inscripción preimpresa que se incluye con el material embalado. **GEAppliances.com/register**

---

## Servicio Programado

El servicio de reparación de expertos de GE Appliances está a sólo un paso de su puerta. Conéctese a través de Internet y programe su servicio a su conveniencia cualquier día del año.

**bodewell.com/schedule-repair-service** o comuníquese al 833-4BODEWELL (833-426-3393) durante el horario de atención comercial.

---

## Garantías Extendidas

Adquiera una garantía extendida de GE Appliances y conozca los descuentos especiales que están disponibles mientras su garantía aún está vigente. La puede adquirir en cualquier momento a través de Internet. Los servicios de GE Appliances aún estarán allí cuando su garantía caduque.

**bodewellcareplan.com** o comuníquese al 866-884-5646 durante el horario de atención comercial.

---

## Conectividad Remota

Para solicitar asistencia para la conectividad de red inalámbrica (para modelos con acceso remoto), visite nuestro sitio web en **GEAppliances.com/connect** o comuníquese al 800.220.6899.

---

## Piezas y Accesorios

Aquellos individuos calificados para realizar el servicio técnico de sus propios electrodomésticos podrán solicitar el envío de piezas o accesorios directamente a sus hogares (se aceptan las tarjetas VISA, MasterCard y Discover). Ordene hoy a través de Internet durante las 24 horas, todos los días. **bodewell.com/parts-search** o de forma telefónica al 833-4BODEWELL (833-426-3393) durante el horario de atención comercial.

**Las instrucciones que figuran en este manual cubren los procedimientos que serán realizados por cualquier usuario. Otros servicios técnicos generalmente deben ser derivados a personal calificado del servicio. Se deberá tener cuidado, ya que una reparación indebida podrá hacer que el funcionamiento no sea seguro.**

---

## Contáctenos

Si no se encuentra satisfecho con el servicio que recibió de GE Appliances, comuníquese con nosotros a través de nuestro sitio Web con todos los detalles, incluyendo su número telefónico, o escriba a:

General Manager, Customer Relations | GE Appliances, Appliance Park | Louisville, KY 40225  
**GEAppliances.com/contact** o comuníquese al 800.626.2000